



PARTS CATALOG

R410A

Outdoor unit

[Model Name]

[Service Ref.]

SUZ-KA25VA4

SUZ-KA25VA4.TH

SUZ-KA35VA4

SUZ-KA35VA4.TH

SUZ-KA50VA4

SUZ-KA50VA4.TH

SUZ-KA60VA4

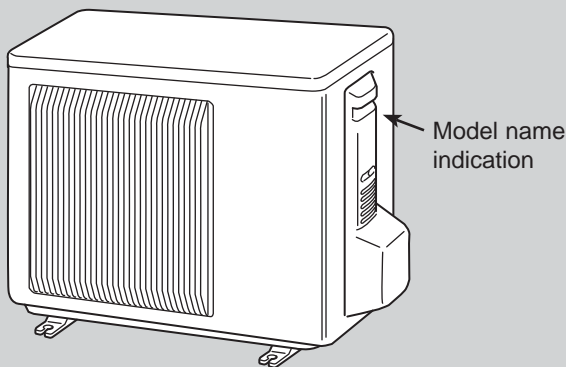
SUZ-KA60VA4.TH

SUZ-KA71VA4

SUZ-KA71VA4.TH

Note:

- RoHS compliant products have <G> mark on the spec name plate.
- For servicing of RoHS compliant products, refer to the RoHS Parts List.



SUZ-KA25VA4.TH
SUZ-KA35VA4.TH

CONTENTS

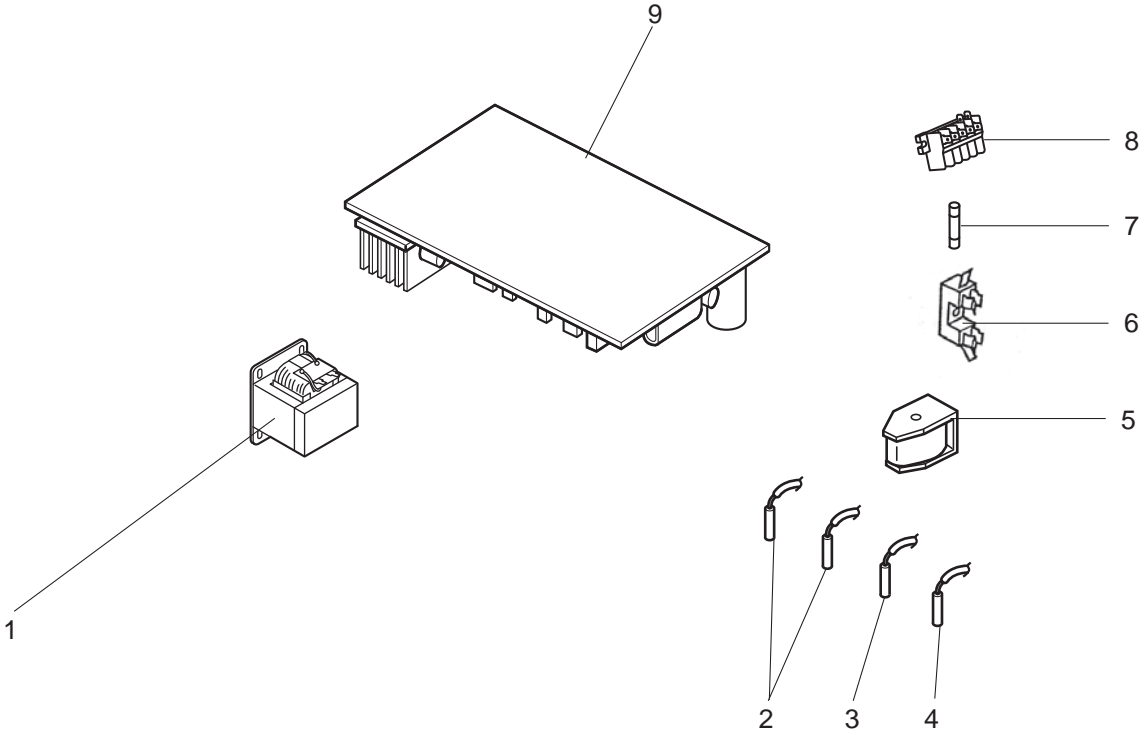
1. RoHS PARTS LIST..... 2
2. OPTIONAL PARTS..... Back cover

SERVICE MANUAL (OCH545)

1 RoHS PARTS LIST

SUZ-KA25VA4.TH SUZ-KA35VA4.TH

1-1. OUTDOOR UNIT ELECTRICAL PARTS



RoHS PARTS LIST

SUZ-KA25VA4.TH

SUZ-KA35VA4.TH

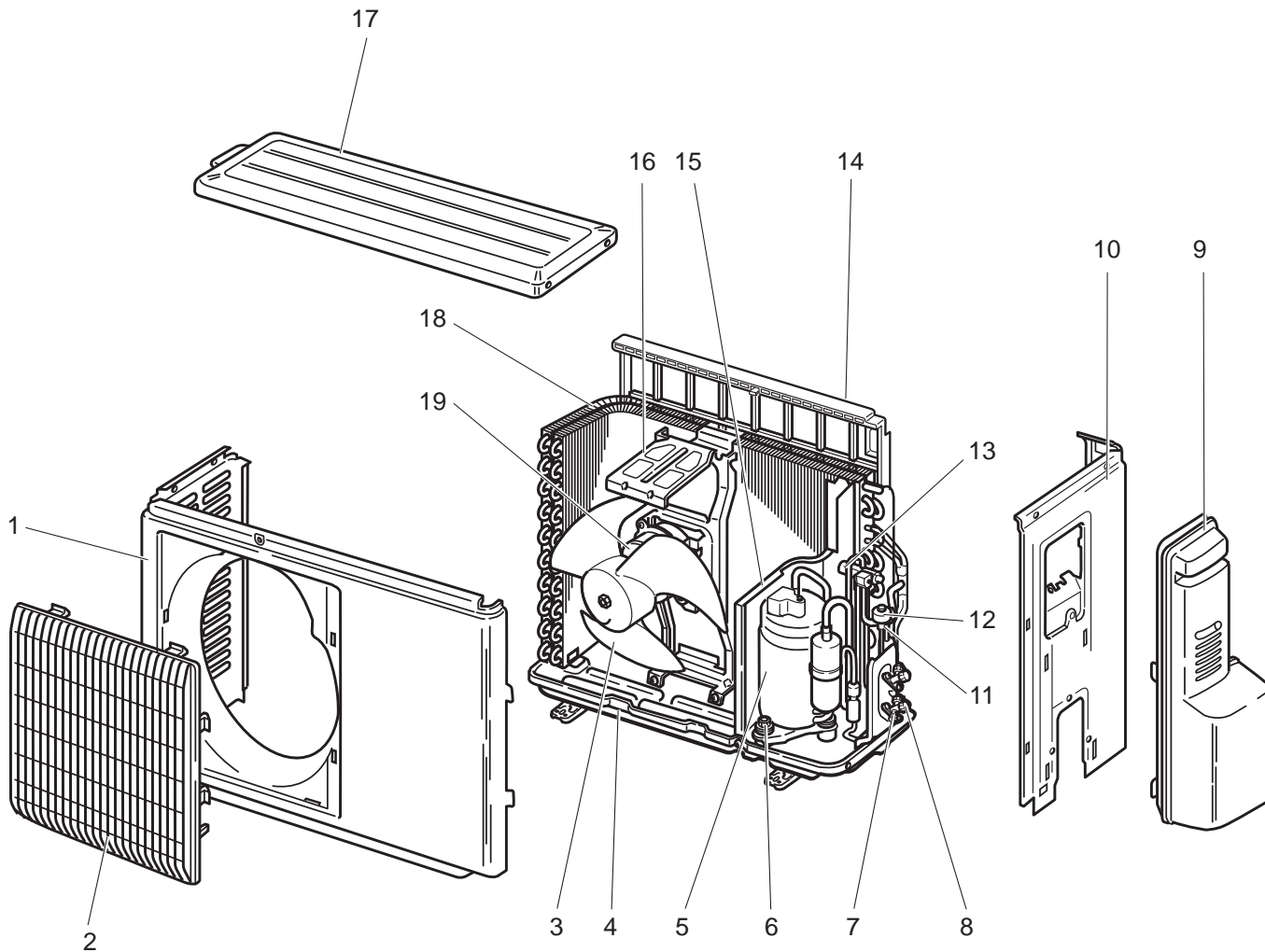
1-1. OUTDOOR UNIT ELECTRICAL PARTS

No.	RoHS	Parts No.	Parts Name	Symbol in Wiring Diagram	Q'ty/unit		Remarks
					SUZ-KA-VA4.TH		
					25	35	
1	G	E12 G10 337	REACTOR	L61	1		
	G	E12 G11 337	REACTOR	L61		1	
2	G	E12 C34 306	THERMISTOR SET	RT61,RT62	1	1	DEFROST, DISCHARGE
3	G	E12 G10 309	AMBIENT TEMPERATURE THERMISTOR	RT65	1	1	
4	G	E12 C34 307	OUTDOOR HEAT EXCHANGER TEMPERATURE THERMISTOR	RT68	1	1	
5	G	E12 G10 490	R.V. COIL	21S4	1	1	
6	G	E12 735 241	FUSE HOLDER		1	1	
7	G	E12 735 382	FUSE	F61	1	1	250VAC/20A
8	G	E12 G16 374	TERMINAL BLOCK(OUT)	TB1	1	1	5P (S1, S2, S3, L, N)
9	G	E17 901 451	INVERTER P.C. BOARD		1		Including heat sink and RT64
	G	E17 902 451	INVERTER P.C. BOARD			1	

RoHS PARTS LIST

SUZ-KA25VA4.TH SUZ-KA35VA4.TH

1-2. OUTDOOR UNIT STRUCTURAL PARTS AND FUNCTIONAL PARTS



RoHS PARTS LIST

SUZ-KA25VA4.TH

SUZ-KA35VA4.TH

1-2. OUTDOOR UNIT STRUCTURAL PARTS AND FUNCTIONAL PARTS

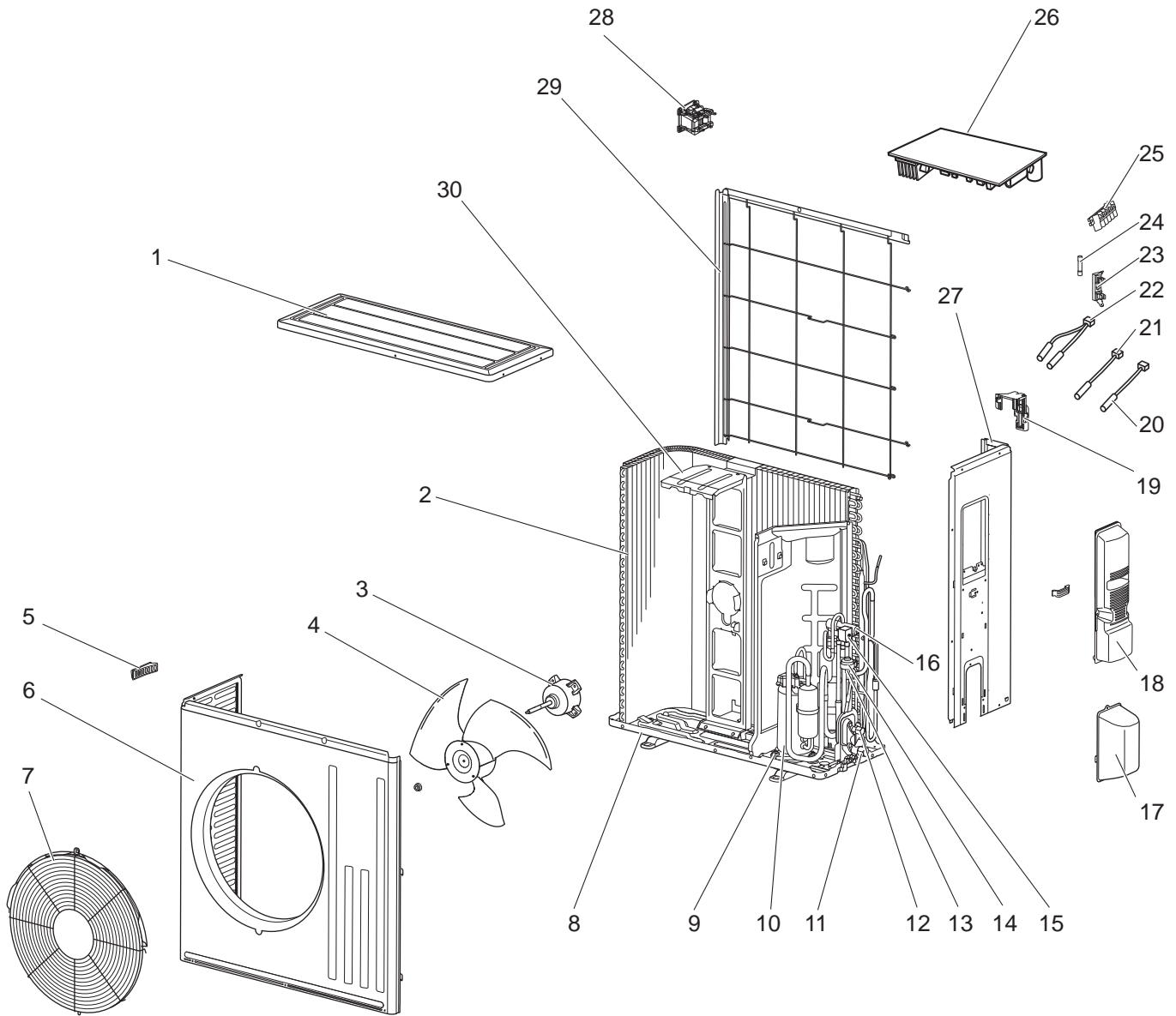
Parts numbers that are circled are not shown in the illustration.

No.	RoHS	Parts No.	Parts Name	Symbol in Wiring Diagram	Q'ty/unit		Remarks
					SUZ-KA-VA4.TH		
					25	35	
1	G	E12 927 232	CABINET		1	1	
2	G	E12 927 521	GRILLE		1	1	
3	G	E12 927 501	PROPELLER FAN		1	1	
4	G	E12 D69 290	BASE		1	1	
5	G	E12 G10 900	COMPRESSOR	MC	1		KNB073FKFMC
	G	E12 G11 900	COMPRESSOR	MC		1	KNB092FFAMC
6	G	E12 065 506	COMPRESSOR RUBBER SET		3	3	3 RUBBERS/SET
7	G	E12 D69 661	STOP VALVE (GAS)		1	1	φ9.52
8	G	E12 D58 662	STOP VALVE (LIQUID)		1	1	φ6.35
9	G	E12 927 245	SERVICE PANEL		1	1	
10	G	E12 G11 233	BACK PANEL (OUT)		1		
	G	E12 G12 233	BACK PANEL (OUT)			1	
11	G	E12 927 640	EXPANSION VALVE		1	1	
12	G	E12 G10 493	EXPANSION VALVE COIL	LEV	1	1	
13	G	E12 927 961	4-WAY VALVE		1	1	
14	G	E12 B83 523	CONDENSER NET		1		
	G	E12 929 523	CONDENSER NET			1	
15	G	E12 G10 293	SEPARATOR		1		
	G	E12 G11 293	SEPARATOR			1	
16	G	E12 927 515	MOTOR SUPPORT		1		
	G	E12 929 515	MOTOR SUPPORT			1	
17	G	E12 927 297	TOP PANEL		1	1	
18	G	E12 G10 630	OUTDOOR HEAT EXCHANGER		1		
	G	E12 G12 630	OUTDOOR HEAT EXCHANGER			1	
19	G	E12 G11 301	OUTDOOR FAN MOTOR	MF	1	1	RC0J50
20	G	E12 927 937	CAPILLARY TUBE		1	1	φ3.0 × φ2.0 × 240
21	G	E12 735 936	CAPILLARY TUBE			2	φ3.0 × φ1.8 × 600
22	G	E12 838 704	DRAIN SOCKET		1	1	

RoHS PARTS LIST

SUZ-KA50VA4.TH

1-3. OUTDOOR UNIT STRUCTURAL PARTS, ELECTRICAL PARTS AND FUNCTIONAL PARTS



RoHS PARTS LIST

SUZ-KA50VA4.TH

1-3. OUTDOOR UNIT STRUCTURAL PARTS, ELECTRICAL PARTS AND FUNCTIONAL PARTS

Parts numbers that are circled are not shown in the illustration.

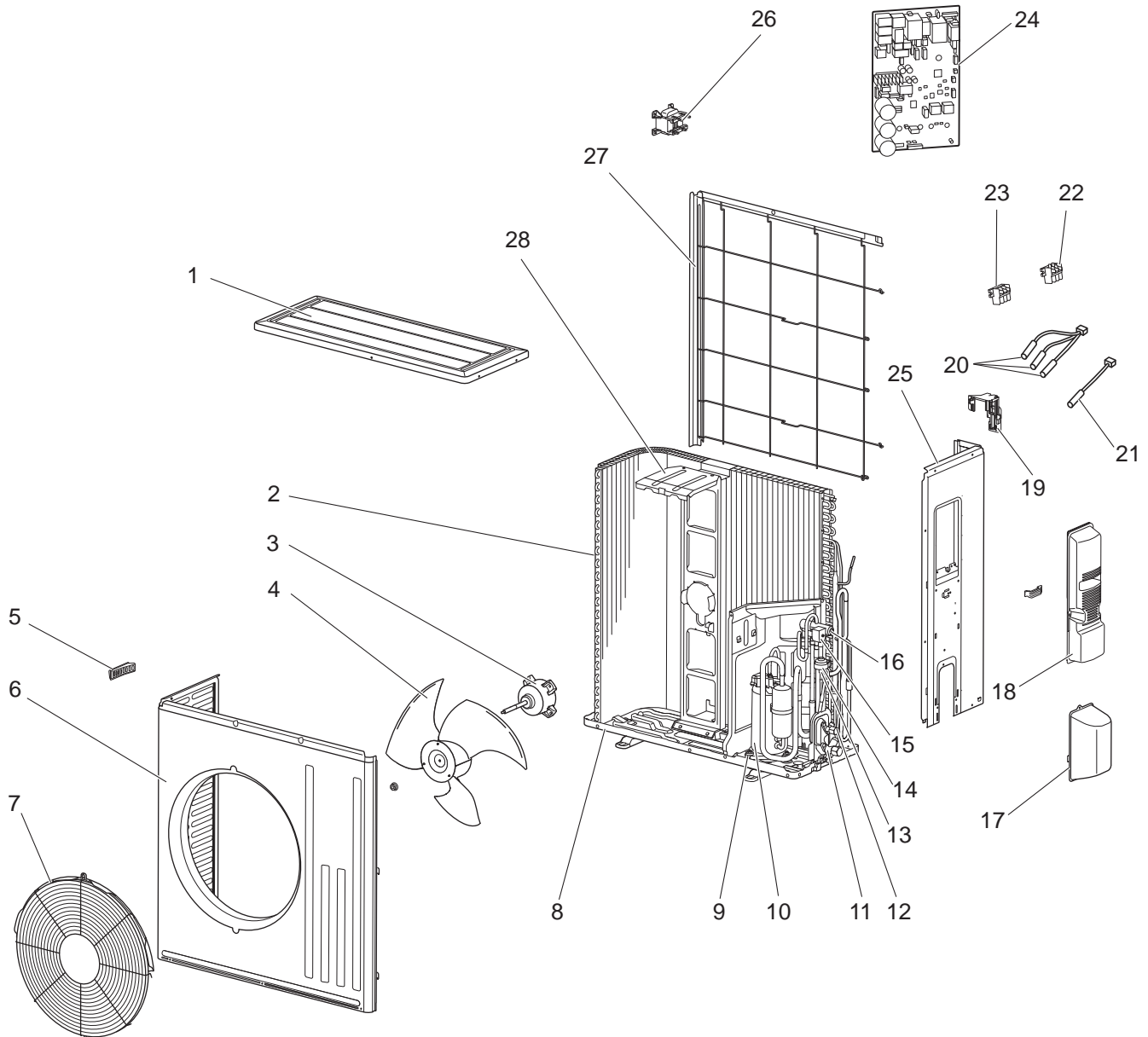
No.	RoHS	Parts No.	Parts Name	Symbol in Wiring Diagram	Q'ty/unit		Remarks
						SUZ-KA50VA4.TH	
1	G	E12 F28 297	TOP PANEL			1	
2	G	E17 804 630	OUTDOOR HEAT EXCHANGER			1	
3	G	E12 G16 301	OUTDOOR FAN MOTOR	MF		1	RC0J60
4	G	E12 F28 501	PROPELLER FAN			1	
5	G	E12 817 009	HANDLE			1	
6	G	E12 F35 232	CABINET			1	
7	G	E12 F73 521	FAN GUARD			1	Including ice guard
8	G	E12 F28 290	BASE			1	
9	G	E12 C34 506	COMPRESSOR RUBBER SET			3	3 RUBBERS/SET
10	G	E12 F28 900	COMPRESSOR	MC		1	SNB130FGBMT
11	G	E12 G16 661	STOP VALVE (GAS)			1	ø12.7
12	G	E12 G16 662	STOP VALVE (LIQUID)			1	ø6.35
13	G	E12 851 640	EXPANSION VALVE			1	
14	G	E12 F28 493	EXPANSION VALVE COIL	LEV		1	
15	G	E12 G16 490	R.V. COIL	21S4		1	
16	G	E12 C18 961	4-WAY VALVE			1	
17	G	E12 F28 650	VALVE COVER			1	
18	G	E12 G16 245	SERVICE PANEL			1	
19	G	E12 F28 079	THERMO HOLDER			1	
20	G	E12 G16 309	AMBIENT TEMPERATURE THERMISTOR	RT65		1	
21	G	E12 G16 307	OUTDOOR HEAT EXCHANGER TEMPERATURE THERMISTOR	RT68		1	
22	G	E12 G16 308	THERMISTOR SET	RT61,RT62		1	DEFROST, DISCHARGE
23	G	E12 735 241	FUSE HOLDER			1	
24	G	E12 735 382	FUSE	F61		1	T20AL/250VAC
25	G	E12 G16 374	TERMINAL BLOCK	TB		1	5 P (S1, S2, S3, L, N)
26	G	E17 804 451	INVERTER P.C. BOARD			1	Including heat sink and RT64
27	G	E12 F28 233	BACK PANEL (OUT)			1	
28	G	E12 D58 337	REACTOR	L61		1	
29	G	E12 F28 523	CONDENSER NET			1	
30	G	E12 F28 515	MOTOR SUPPORT			1	
31	G	E12 527 936	CAPILLARY TUBE			1	ø4.0 × ø2.4 × 100
32	G	E12 F28 704	DRAIN SOCKET			1	

RoHS PARTS LIST

SUZ-KA60VA4.TH

SUZ-KA71VA4.TH

1-4. OUTDOOR UNIT STRUCTURAL PARTS, ELECTRICAL PARTS AND FUNCTIONAL PARTS



RoHS PARTS LIST

SUZ-KA60VA4.TH

SUZ-KA71VA4.TH

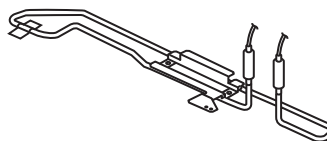
1-4. OUTDOOR UNIT STRUCTURAL PARTS, ELECTRICAL PARTS AND FUNCTIONAL PARTS

Parts numbers that are circled are not shown in the illustration.

No.	RoHS	Parts No.	Parts Name	Symbol in Wiring Diagram	Q'ty/unit		Remarks
					SUZ-KA-VA4.TH		
					60	71	
1	G	E12 F28 297	TOP PANEL		1	1	
2	G	E17 805 630	OUTDOOR HEAT EXCHANGER		1		
	G	E17 806 630	OUTDOOR HEAT EXCHANGER			1	
3	G	E12 F28 301	OUTDOOR FAN MOTOR	MF	1	1	
4	G	E12 F28 501	PROPELLER FAN		1	1	
5	G	E12 817 009	HANDLE		1	1	
6	G	E12 F28 232	CABINET		1	1	
7	G	E12 F73 521	FAN GUARD		1	1	
8	G	E12 F28 290	BASE		1	1	
9	G	E12 C34 506	COMPRESSOR RUBBER SET		3	3	3 RUBBERS/SET
10	G	E12 F28 900	COMPRESSOR	MC	1		SNB130FGBMT
	G	E12 J40 900	COMPRESSOR	MC		1	SNB172FEKMT
11	G	E12 F28 661	STOP VALVE(GAS)		1	1	φ15.88
12	G	E12 F28 662	STOP VALVE(LIQUID)		1		φ6.35
	G	E12 F29 662	STOP VALVE(LIQUID)			1	φ9.52
13	G	E12 851 640	EXPANSION VALVE		1		
	G	E12 853 640	EXPANSION VALVE			1	
14	G	E12 F28 493	EXPANSION VALVE COIL	LEV	1	1	
15	G	E12 F28 490	R.V.COIL	21S4	1	1	
16	G	E12 C18 961	4-WAY VALVE		1	1	
17	G	E12 F28 650	VALVE COVER		1	1	
18	G	E12 F28 245	SERVICE PANEL		1	1	
19	G	E12 F28 079	THERMO HOLDER		1	1	
20	G	E12 F28 308	THERMISTOR SET	RT61 RT62 RT68	1	1	DEFROST, DISCHARGE OUTDOOR HEAT EXCHANGER TEMPERATURE
21	G	E12 F28 309	AMBIENT TEMPERATURE THERMISTOR	RT65	1	1	
22	G	E12 F28 374	TERMINAL BLOCK	TB1	1	1	3P (L, N, ⊕)
23	G	E12 F29 374	TERMINAL BLOCK	TB2	1	1	3P (S1, S2, S3)
24	G	E17 904 451	INVERTER P.C. BOARD		1		Including heat sink and RT64
	G	E17 905 451	INVERTER P.C. BOARD			1	
25	G	E12 F28 233	BACK PANEL (OUT)		1	1	
26	G	E12 F28 337	REACTOR	L61	1	1	
27	G	E12 F28 523	CONDENSER NET		1	1	
28	G	E12 F28 515	MOTOR SUPPORT		1	1	
29	G	E12 527 936	CAPILLARY TUBE		1	1	φ4.0 × φ2.4 × 100
30	G	E12 F28 704	DRAIN SOCKET		1	1	

2-1. DEFROST HEATER

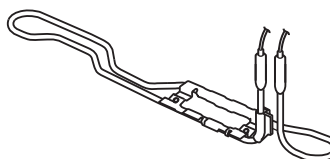
Model	Parts No.
SUZ-KA25/35VA4.TH	MAC-643BH-E



Components

① Defrost heater	1	④ Cable tie	1	⑦ Wiring diagram	1
② Aluminium tape	1	⑤ Self drilling screw	2	⑧ Spec label	1
③ Heater support	1	⑥ Insulation	1		

Model	Parts No.
SUZ-KA50VA4.TH	MAC-644BH-E



Components

① Defrost heater	1	④ Cable clamp	1	⑦ Spec label	1
② Heater support	1	⑤ Self drilling screw	2		
③ Insulation	1	⑥ Wiring diagram	1		

MITSUBISHI ELECTRIC CORPORATION

HEAD OFFICE: TOKYO BLDG., 2-7-3, MARUNOUCHI, CHIYODA-KU, TOKYO100-8310, JAPAN