



PARTS CATALOG

R32

Outdoor unit

[Model Name]

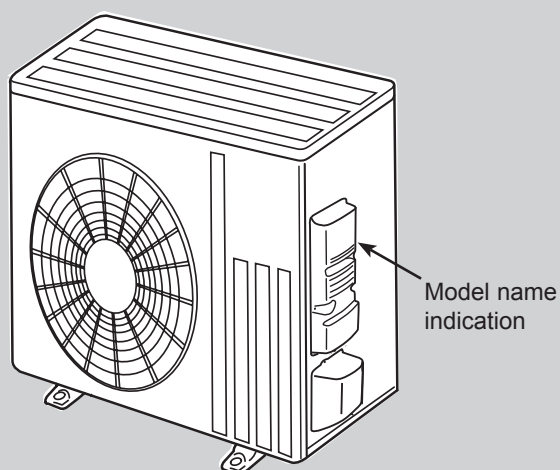
SUZ-SM71VA

[Service Ref.]

SUZ-SM71VA.TH

CONTENTS

1. SERVICE PARTS LIST..... 2



SERVICE MANUAL (OCH706)

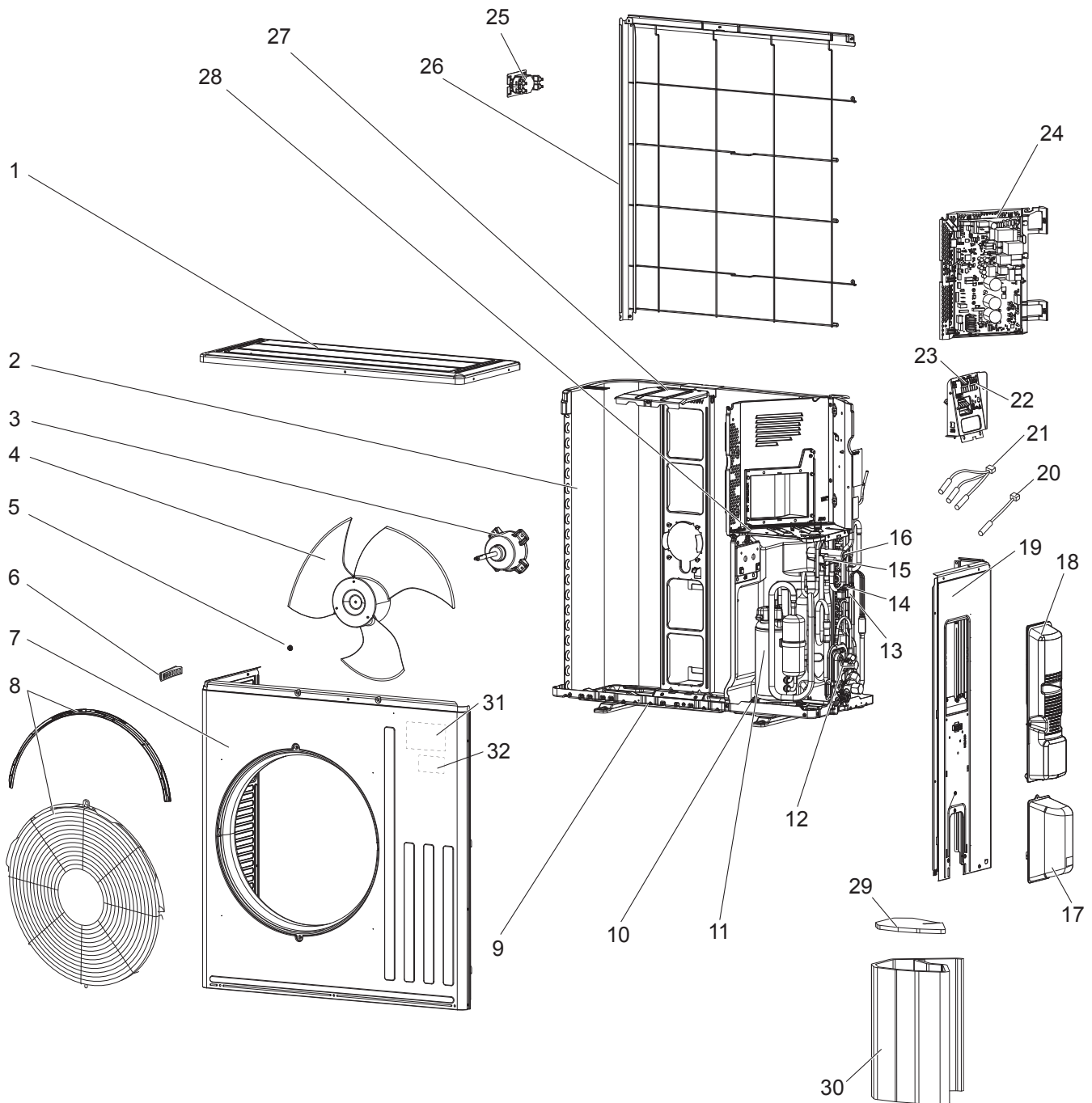
Mr. SLIM

1

SERVICE PARTS LIST

SUZ-SM71VA.TH

OUTDOOR UNIT STRUCTURAL PARTS, ELECTRICAL PARTS AND FUNCTIONAL PARTS



OUTDOOR UNIT STRUCTURAL PARTS, ELECTRICAL PARTS AND FUNCTIONAL PARTS

Part numbers that are circled are not shown in the illustration.

No.	Part No.	Part Name	Symbol in Wiring Diagram	Q'ty/unit	Remarks
				SUZ-SM71VA.TH	
1	E27 L07 297	TOP PANEL		1	
2	E27 M74 630	OUTDOOR HEAT EXCHANGER		1	
3	E22 F28 301	OUTDOOR FAN MOTOR	MF	1	
4	E22 F28 501	PROPELLER FAN		1	
5	E27 L05 508	PROPELLER FAN NUT		1	
6	E22 817 009	HANDLE		1	
7	E22 R13 232	CABINET		1	
8	E22 Y87 521	FAN GUARD		1	
9	E22 F28 290	BASE		1	
10	E22 C34 506	COMPRESSOR RUBBER MOUNT		3	3pcs/set
11	E22 R86 900	COMPRESSOR	MC	1	SVB172FCKMT
12	E27 P14 663	STOP VALVE ASSY		1	Including STOP VALVES(LIQ, GAS)
13	E27 M74 645	EXPANSION VALVE ASSY		1	Including LEV body, Capillary tube
14	E27 M74 493	EXPANSION VALVE COIL	LEV	1	
15	E22 R84 490	SOLENOID COIL	21S4	1	
16	E22 J44 961	4-WAY VALVE		1	
17	E22 F28 650	VALVE COVER		1	
18	E22 Y87 245	SERVICE PANEL		1	
19	E22 J52 233	BACK PANEL(OUT)		1	
20	E22 29F 309	THERMISTOR ASSY AMB	RT65	1	
21	E22 R84 308	THERMISTOR-T	RT61,RT62, RT68	1	
22	E22 F29 374	TERMINAL BLOCK	TB1	1	
23	E22 T16 374	TERMINAL BLOCK	TB2	1	
24	E27 P14 451	INVERTER P.C. BOARD		1	Including HEAT SINK and RT64
25	E22 R84 337	REACTOR	L	1	
26	E22 L87 523	CONDENSER NET		1	
27	E22 F28 515	MOTOR SUPPORT		1	
28	E27 M74 293	SEPARATOR		1	
29	————	COMP FELT(TOP)		1	RK33J795H01
30	————	COMP FELT(BODY)		1	RK33J456H01
31	————	BRAND LABEL		1	DK79G041H02
32	————	BRAND LABEL		1	BT79L209H01
③③	————	ELECTRICAL PARTS BOX		1	SQ00J359G18
③④	————	LEAD ASSY COMP		1	BT78L236G01
③⑤	E12 F28 704	DRAIN SOCKET		1	
③⑥	E27 N04 250	T.ST SCREW		30	

Mr. SLIM

mitsubishi electric corporation

HEAD OFFICE: TOKYO BUILDING., 2-7-3, MARUNOUCHI, CHIYODA-KU, TOKYO100-8310, JAPAN
