

**February 2009**
**No.OCB424**
**REVISED EDITION-A**

# PARTS CATALOG

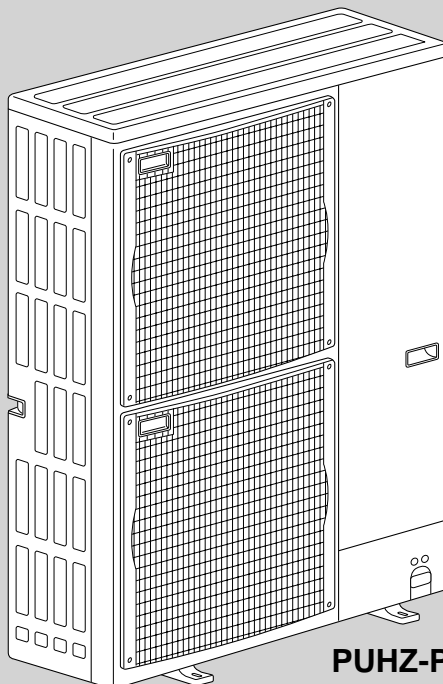
**R410A**
**Outdoor unit**
**[model names]**
**[Service Ref.]**
**PUHZ-P200YHA**
**PUHZ-P200YHA**
**PUHZ-P250YHA**
**PUHZ-P250YHA**
**PUHZ-P200YHA3**
**PUHZ-P200YHA3**
**PUHZ-P250YHA3**
**PUHZ-P250YHA3**
**Revision:**

- PUHZ-P200/250YHA3 are added in REVISED EDITION-A.
- Some descriptions have been modified.

- Please void OCB424.

**Note:**

- This manual describes only service data of the outdoor units.
- RoHS compliant products have <G> mark on the spec name plate.

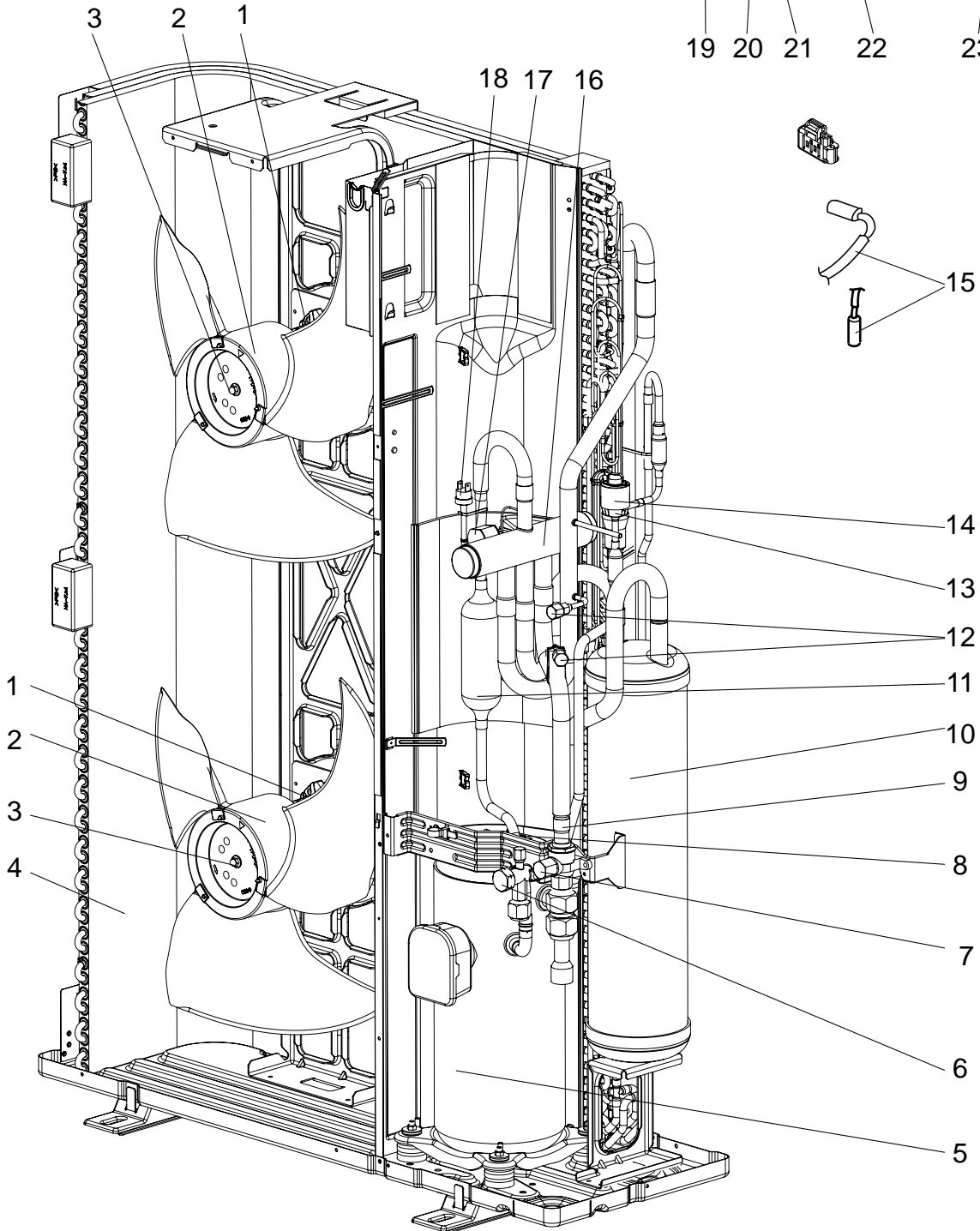
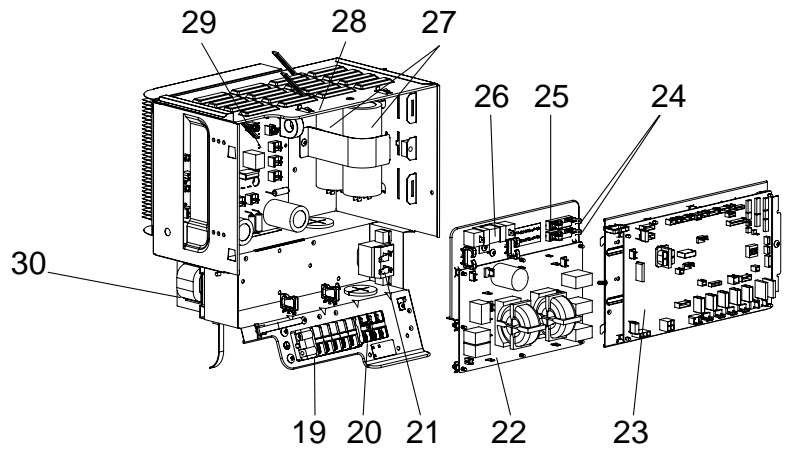

**PUHZ-P200YHA  
PUHZ-P250YHA  
PUHZ-P200YHA3  
PUHZ-P250YHA3**
**CONTENTS**

1. RoHS PARTS LIST.....	2
-------------------------	---

**SERVICE MANUAL (OCH424)**
**Mr. SLIM™**

FUNCTIONAL AND ELECTRICAL PARTS

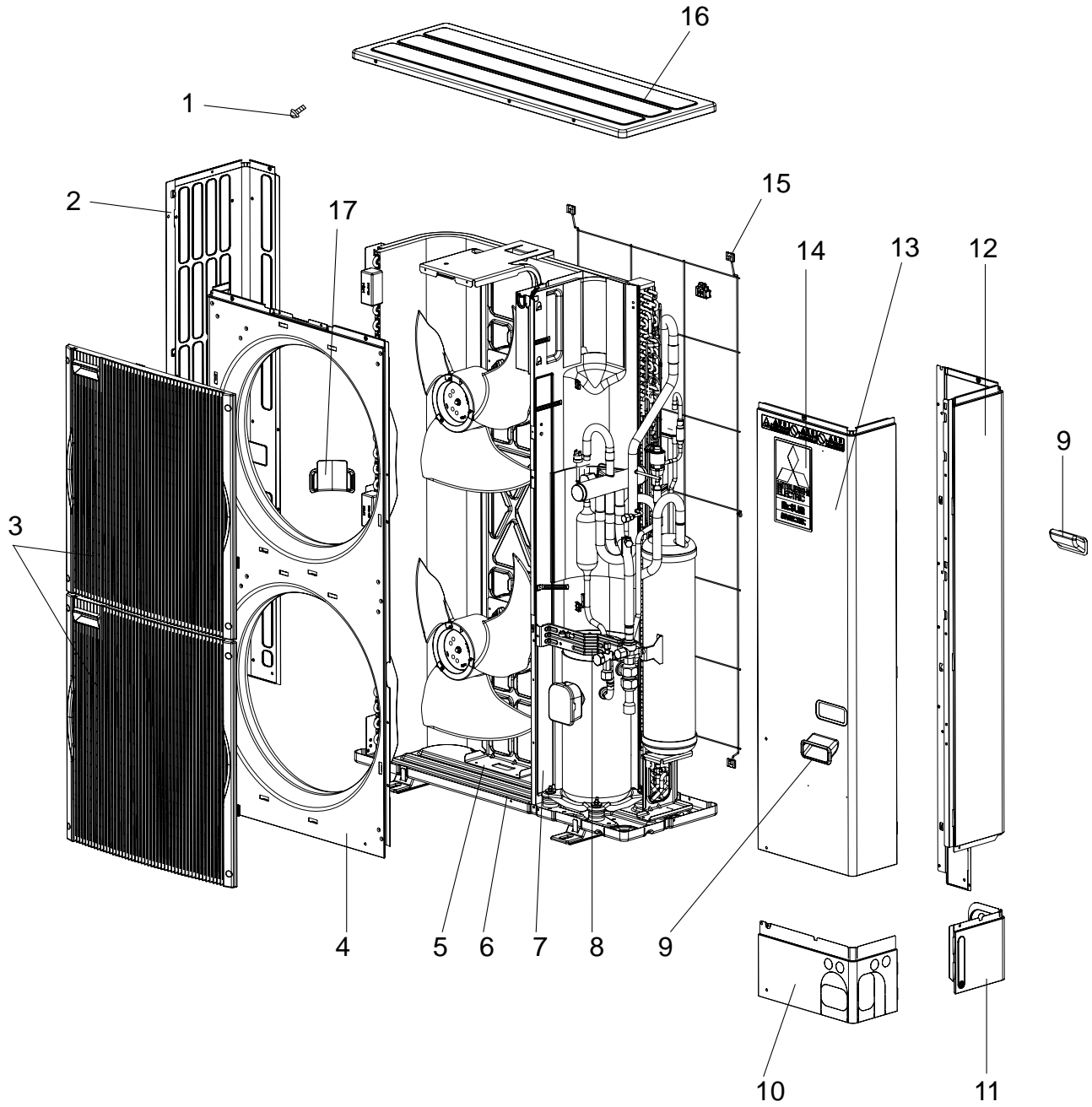
PUHZ-P200YHA  
 PUHZ-P250YHA  
 PUHZ-P200YHA3  
 PUHZ-P250YHA3



Part numbers that are circled are not shown in the figures.

No.	ROHS	Part No.	Part Name	Specification	Q'ty/set				Remaks (Drawing No.)	Wiring Diagram Symbol	Recom- mended Q'ty
					PUHZ-P-YHA		PUHZ-P-YHA3				
					200	250	200	250			
1	G	R01 E46 221	FAN MOTOR		2	2	2	2		MF1	
2	G	R01 E06 115	PROPELLER FAN		2	2	2	2			
3	G	R01 E09 097	NUT	M6	2	2	2	2			
4	G	T7W E45 408	HEAT EXCHANGER		1		1				
	G	R01 H04 408	HEAT EXCHANGER			1		1			
5	G	T97 415 756	COMPRESSOR	ANB52FFJMT	1	1			with RUBBER MOUNTS	MC	
	G	T97 415 769	COMPRESSOR	ANB52FFPMT			1	1	with RUBBER MOUNTS	MC	
6	G	R01 E13 410	STOP VALVE 3/8		1		1				
	G	R01 E23 410	STOP VALVE 1/2			1		1			
7	G	R01 E13 411	BALL VALVE 3/4		1	1	1	1			
8	G	R01 E14 201	THERMISTOR (DISCHARGE)		1	1	1	1		TH4	
9	G	R01 45L 450	STRAINER		1	1	1	1			
10	G	R01 E39 440	ACCUMULATOR		1		1				
	G	R01 E40 440	ACCUMULATOR			1		1			
11	G	R01 E10 467	MUFFLER		1	1	1	1			
12	G	R01 E24 413	CHARGE PLUG		2	2	2	2			
13	G	R01 H19 401	LEV		1	1	1	1			
14	G	R01 E50 242	LEV COIL		1	1	1	1		LEV-A	
15	G	R01 E96 202	THERMISTOR(2-PHASE PIPE, OUTDOOR)		1	1	1	1		TH6,7	
16	G	R01 E32 403	4WAY VALVE		1						
	G	R01 E12 403	4WAY VALVE			1		1			
	G	R01 E15 403	4WAY VALVE				1				
17	G	T7W E39 242	SOLENOID COIL		1	1	1	1		21S4	
18	G	R01 E06 208	HIGH PRESSURE SWITCH		1	1	1	1		63H	
19	G	T7W E30 716	TERMINAL BLOCK	5P(L1,L2,L3,N,⊕)	1	1	1	1		TB1	
20	G	R01 E19 246	TERMINAL BLOCK	3P(S1,S2,S3)	1	1	1	1		TB2	
21	G	T7W E16 259	REACTOR		1	1	1	1		ACL4	
22	G	T7W E24 346	NOISE FILTER		1	1	1	1		N.F.	
23	G	T7W E55 315	CONTROLLER BOARD		1	1				C.B.	
	G	T7W E83 315	CONTROLLER BOARD				1	1		C.B.	
24	G	R01 30L 241	FUSE HOLDER		2	2	2	2			
25	G	R01 E07 239	FUSE	250V 15A	2	2	2	2		FUSE1,2	
26	G	R01 E10 233	RESISTOR		1	1	1	1		RS	
27	G	T7W E21 255	MAIN SMOOTHING CAPACITOR		2	2	2	2		CB1,2	
28	G	—	ELECTRICAL PARTS BOX		1	1	1	1	(BK00B702G06)		
29	G	T7W E44 313	POWER BOARD		1	1				P.B.	
	G	T7W E59 313	POWER BOARD				1	1		P.B.	
30	G	T7W E13 259	REACTOR		1	1	1	1		DCL	
③①	G	R01 H01 202	THERMISTOR (OUTDOOR PIPE)		1	1	1	1		TH3	
③②	G	R01 E06 239	FUSE	250V 6.3A	2	2	2	2		F3,4	

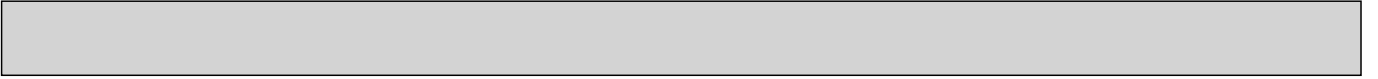
**STRUCTURAL PARTS**  
**PUHZ-P200YHA**  
**PUHZ-P250YHA**  
**PUHZ-P200YHA3**  
**PUHZ-P250YHA3**





No.	ROHS	Part No.			Part Name	Specification	Q'ty/set				Remarks (Drawing No.)	Wiring Diagram Symbol	Recom- mended Q'ty
							PUHZ-P-YHA		PUHZ-P-YHA3				
							200	250	200	250			
1	G	—			F.ST SCREW	(5×10)	38	38	38	38	(DG12F536H10)		
2	G	R01	E20	662	SIDE PANEL (L)		1		1				
	G	R01	E15	662	SIDE PANEL (L)			1		1			
3	G	T7W	E03	691	FAN GRILLLE		2	2	2	2			
4	G	T7W	E06	667	FRONT PANEL		1	1	1	1			
5	G	T7W	E11	130	MOTOR SUPPORT		1						
	G	R01	E28	130	MOTOR SUPPORT			1					
	G	R01	E40	130	MOTOR SUPPORT				1				
	G	R01	E39	130	MOTOR SUPPORT					1			
6	G	R01	E31	686	BASE ASSY		1		1				
	G	R01	E36	686	BASE ASSY			1		1			
7	G	—			SEPARATOR		1	1	1	1	(BK00C374GH8)		
8	G	—			VALVE BED ASSY		1	1	1	1	(BK00C375G06)		
9	G	R01	E01	655	HANDLE		2	2	2	2			
10	G	R01	E13	658	COVER PANEL (FRONT)		1	1	1	1			
11	G	R01	E11	658	COVER PANEL (REAR)		1	1	1	1			
12	G	R01	E29	661	SIDE PANEL(R)		1		1				
	G	R01	E30	661	SIDE PANEL(R)			1					
	G	T7W	E20	661	SIDE PANEL(R)					1			
13	G	T7W	E07	667	SERVICE PANEL		1	1	1	1			
14	G	—			LABEL(BRAND)		1	1	1	1	(BK79G177H01)		
15	G	R01	E07	698	REAR GUARD		1	1	1	1			
16	G	R01	E15	641	TOP PANEL		1	1	1	1			
17	G	R01	E02	655	HANDLE		1	1	1	1			





Mr. SLIM™

 **MITSUBISHI ELECTRIC CORPORATION**

HEAD OFFICE : TOKYO BLDG., 2-7-3, MARUNOUCHI, CHIYODA-KU, TOKYO 100-8310, JAPAN