

PARTS CATALOG

R410A

Outdoor unit

[model names]

- PUHZ-HRP71VHA
- PUHZ-HRP100VHA
- PUHZ-HRP100YHA
- PUHZ-HRP125YHA
- PUHZ-HRP71VHA2
- PUHZ-HRP100VHA2
- PUHZ-HRP100YHA2
- PUHZ-HRP125YHA2

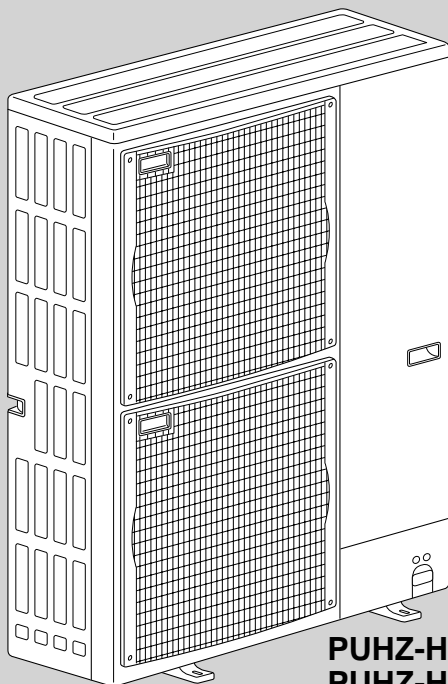
[Service Ref.]

- PUHZ-HRP71VHA**
- PUHZ-HRP100VHA**
- PUHZ-HRP100YHA**
- PUHZ-HRP125YHA**
- PUHZ-HRP71VHA2**
- PUHZ-HRP100VHA2**
- PUHZ-HRP100YHA2**
- PUHZ-HRP125YHA2**

Revision:
 • PUHZ-HRP71/100VHA2 and
 PUHZ-HRP100/125YHA2 are
 added in REVISED EDITION-A.

• Please void OCB425.

NOTE:
 • This manual describes only
 service data of the outdoor
 units.
 • RoHS compliant products
 have <G> mark on the spec
 name plate.



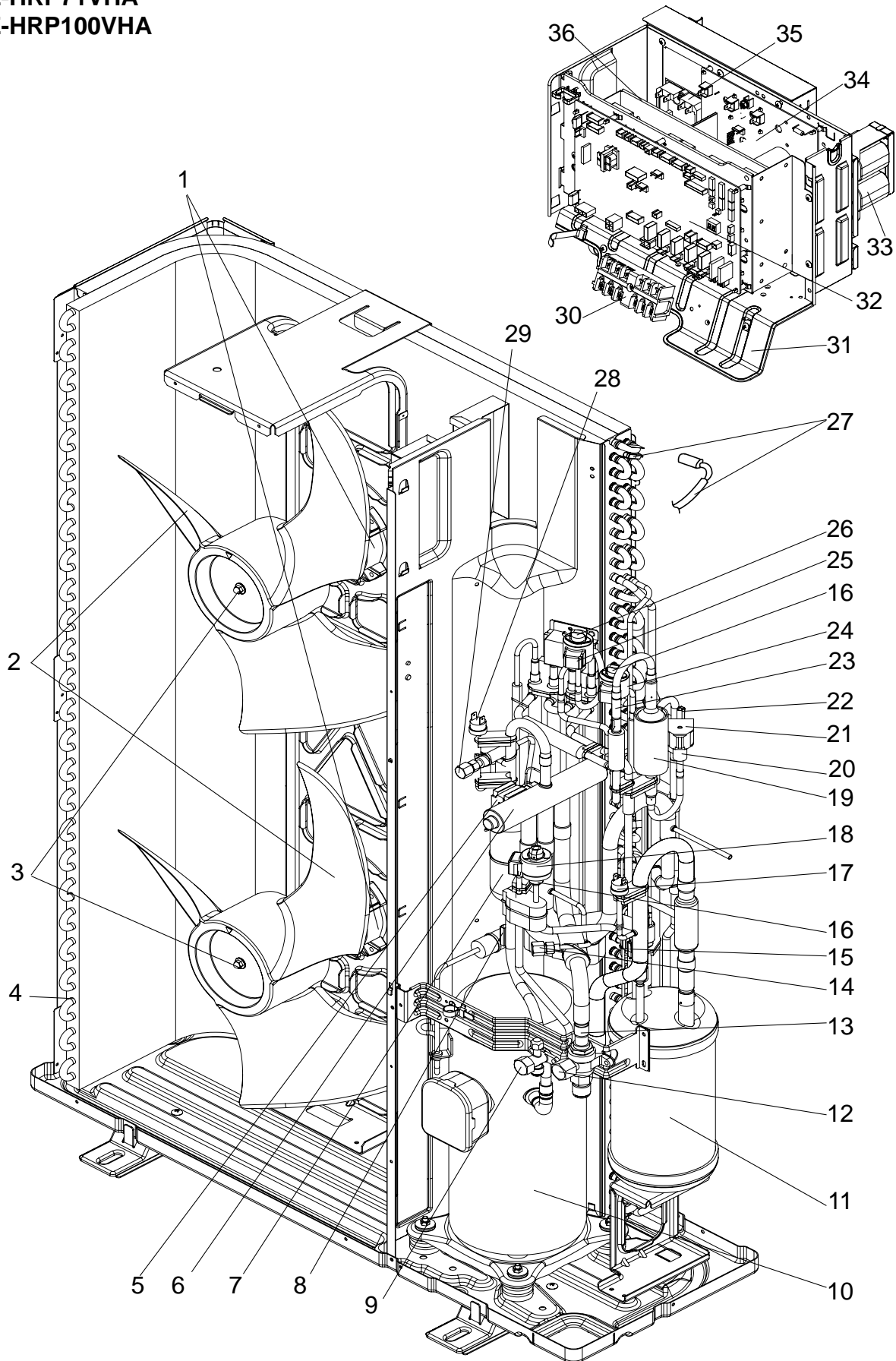
PUHZ-HRP71VHA
 PUHZ-HRP100VHA
 PUHZ-HRP100YHA
 PUHZ-HRP125YHA

CONTENTS

- 1. RoHS PARTS LIST.....2

SERVICE MANUAL (OCH425)

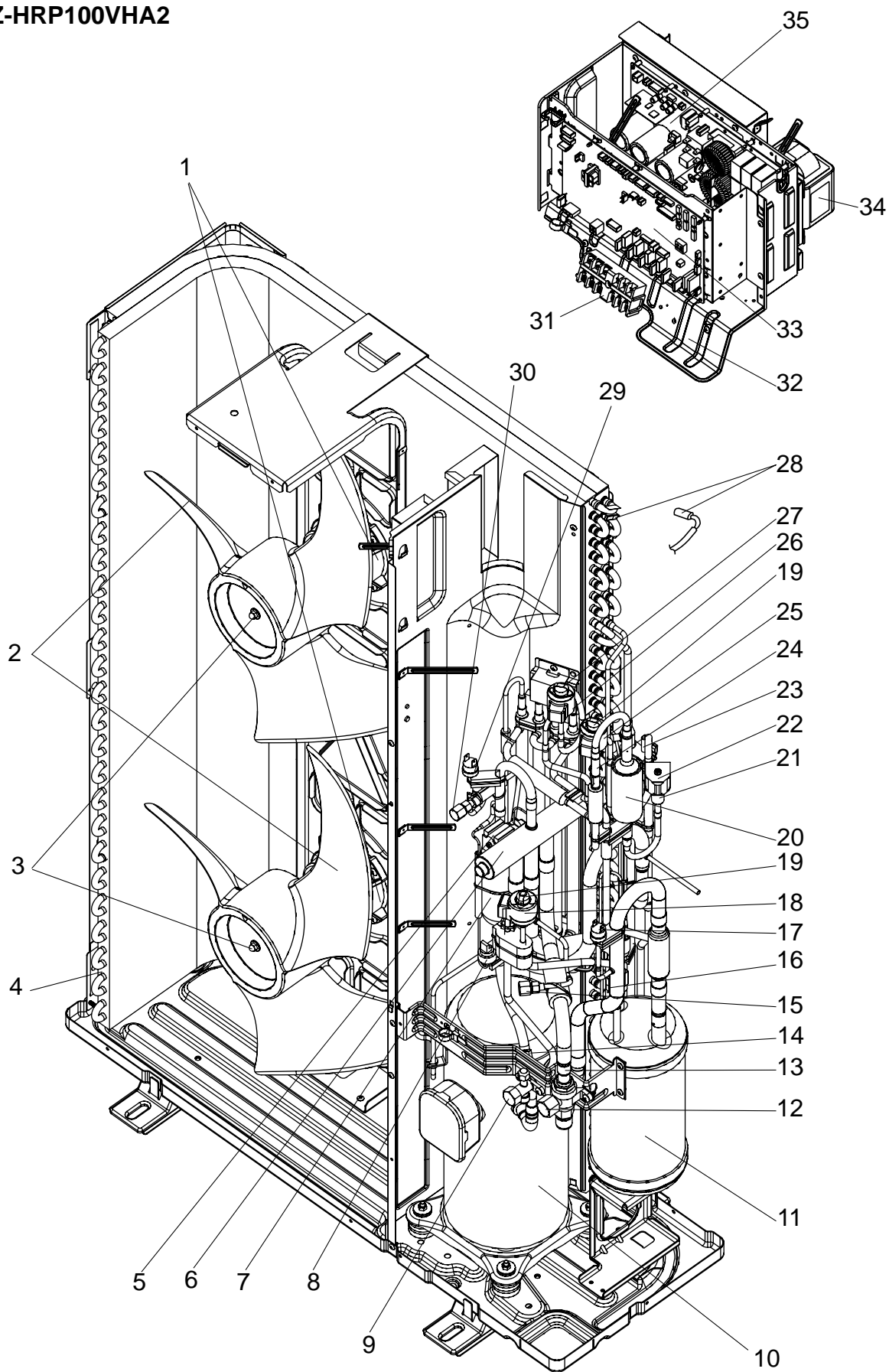
FUNCTIONAL AND ELECTRICAL PARTS
PUHZ-HRP71VHA
PUHZ-HRP100VHA



Part numbers that are circled are not shown in the figure.

No.	RoHS	Part No.	Part Name	Specification	Q'ty/set		Remarks (Drawing No.)	Wiring Diagram Symbol	Recom- mended Q'ty
					PUHZ-HRP				
					71	100			
					VHA				
1	G	T7W E27 763	FAN MOTOR	EHDS81B86MS1	2	2		MF1,2	
2	G	R01 E08 115	PROPELLER FAN		2	2			
3	G	R01 E09 097	NUT		2	2			
4	G	R01 H01 408	HEAT EXCHANGER		1	1			
5	G	T7W E41 242	SOLENOID COIL <4-WAY VALVE>		1	1		21S4	
6	G	R01 E32 403	4-WAY VALVE		1	1			
7	G	R01 E10 467	MUFFLER		1	1			
8	G	R01 E14 201	THERMISTOR (DISCHARGE)		1	1		TH4	
9	G	R01 E13 410	STOP VALVE	3/8	1	1			
10	G	T97 415 758	COMPRESSOR	ANB33FJCMT	1	1	Including RUBBER MOUNTS	MC	
11	G	R01 E43 440	POWER RECEIVER		1	1			
12	G	R01 E12 410	BALL VALVE	5/8	1	1			
13	G	R01 32L 450	STRAINER		1	1			
14	G	R01 E14 413	CHARGE PLUG		1	1			
15	G	T7W E53 202	THERMISTOR (OUTDOOR PIPE)		1	1		TH32	
16	G	R01 H20 401	LINEAR EXPANSION VALVE		2	2			
17	G	R01 E00 209	LOW PRESSURE SWITCH		1	1		63L	
18	G	R01 E49 242	LINEAR EXPANSION VALVE COIL		1	1	Connector:Red	LEV-B	
19	G	—	REPLACE FILTER		1	1	(BK00C119G02)		
20	G	R01 E13 428	BYPASS VALVE		1	1			
21	G	T7W E36 242	SOLENOID COIL <BYPASS VALVE>		1	1		SV	
22	G	T7W E52 202	THERMISTOR (OUTDOOR PIPE)		1	1		TH33	
23	G	R01 E03 418	RESTRICTOR VALVE		1	1			
24	G	R01 E50 242	LINEAR EXPANSION VALVE COIL		1	1	Connector:White	LEV-A	
25	G	R01 E68 242	LINEAR EXPANSION VALVE COIL		1	1	Connector:Blue	LEV-C	
26	G	R01 H22 401	LINEAR EXPANSION VALVE		1	1			
27	G	R01 E94 202	THERMISTOR (OUTDOOR 2-PHASE PIPE, OUTDOOR)		1	1		TH6,7	
28	G	R01 E06 208	HIGH PRESSURE SWITCH		1	1		63H	
29	G	R01 E25 413	CHARGE PLUG		1	1			
30	G	T7W E29 716	TERMINAL BLOCK	6P(L,N,⊕,S1,S2,S3)	1	1		TB1	
31	G	—	ELECTRICAL PARTS BOX		1	1	(BK00B055G31)		
32	G	T7W E58 315	CONTROLLER CIRCUIT BOARD		1	1		C.B.	
33	G	R01 E20 259	REACTOR		1	1		DCL	
34	G	R01 E65 313	POWER CIRCUIT BOARD		1	1		P.B.	
35	G	R01 E07 233	ACTIVE FILTER MODULE		1	1		ACTM	
36	G	T7W E22 346	NOISE FILTER CIRCUIT BOARD		1	1		N.F.	
37	G	R01 E99 202	THERMISTOR (HEATSINK)		1	1		TH8	
38	G	R01 E06 239	FUSE	250V 6.3A	4	4		F1,2,3,4	
39	G	R01 H00 202	THERMISTOR (OUTDOOR PIPE)		1	1		TH3	
40	G	R01 E22 255	MAIN SMOOTHING CAPACITOR		1	1		CB	

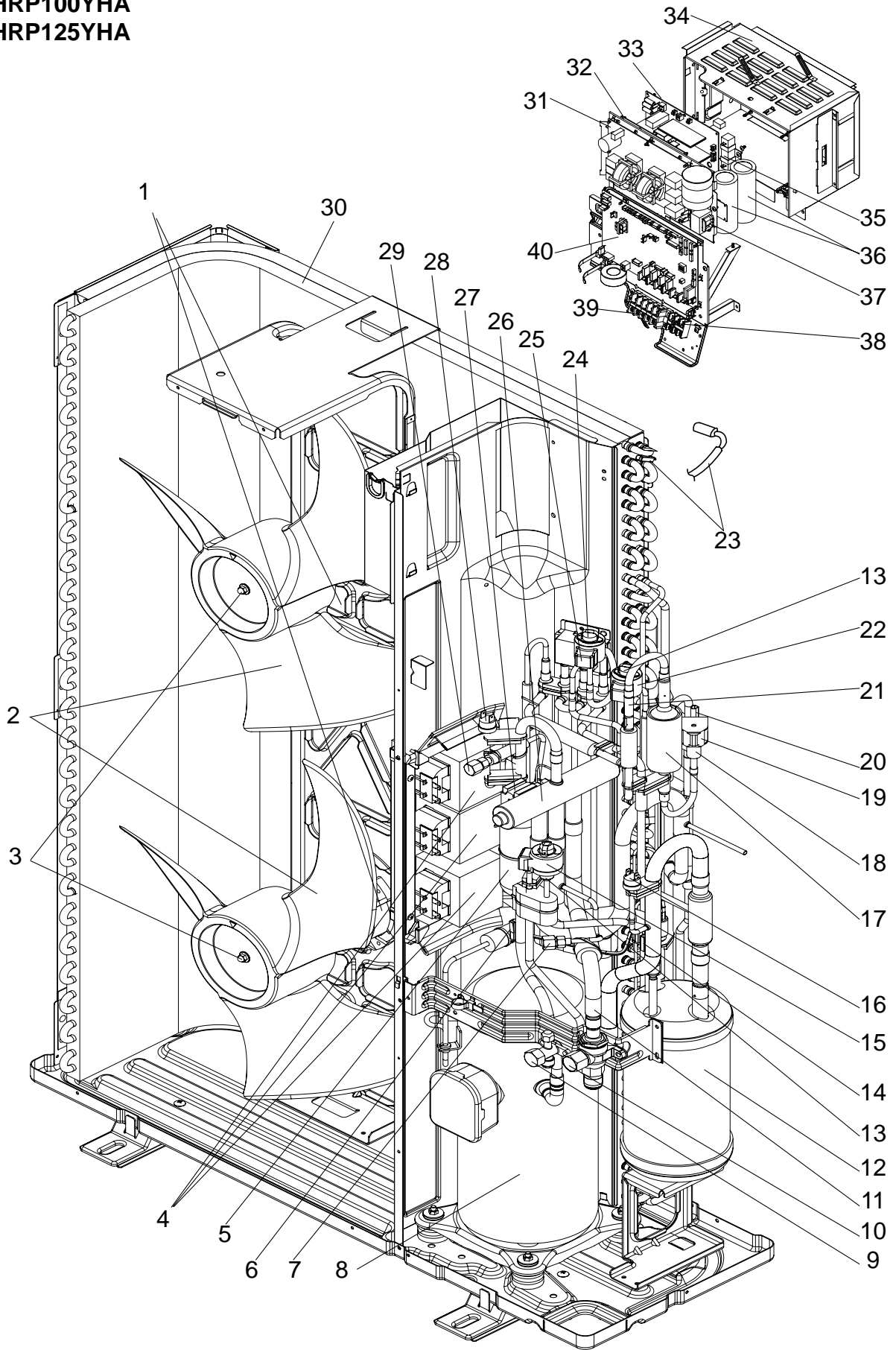
FUNCTIONAL AND ELECTRICAL PARTS
PUHZ-HRP71VHA2
PUHZ-HRP100VHA2



Part numbers that are circled are not shown in the figure.

No.	RoHS	Part No.	Part Name	Specification	Q'ty/set		Remarks (Drawing No.)	Wiring Diagram Symbol	Recom- mended Q'ty
					PUHZ-HRP				
					71	100			
1	G	R01 E50 221	FAN MOTOR	SIC-71FW-D874	2	2		MF1,2	
2	G	R01 E08 115	PROPELLER FAN		2	2			
3	G	R01 E09 097	NUT		2	2			
4	G	R01 H01 408	HEAT EXCHANGER		1	1			
5	G	T7W E41 242	SOLENOID COIL <4-WAY VALVE>		1	1		21S4	
6	G	R01 E32 403	4-WAY VALVE		1	1			
7	G	R01 E10 467	MUFFLER		1	1			
8	G	R01 E07 208	HIGH PRESSURE SENSOR		1	1		63HS	
9	G	R01 E13 410	STOP VALVE	3/8	1	1			
10	G	T97 415 767	COMPRESSOR	ANB33FJEMT	1	1	Including RUBBER MOUNTS	MC	
11	G	R01 E43 440	POWER RECEIVER		1	1			
12	G	R01 E12 410	BALL VALVE	5/8	1	1			
13	G	R01 32L 450	STRAINER		1	1			
14	G	T7W E05 201	THERMISTOR (DISCHARGE)		1	1		TH4	
15	G	R01 E14 413	CHARGE PLUG		1	1			
16	G	R01 H32 202	THERMISTOR (OUTDOOR PIPE)		1	1		TH32	
17	G	R01 E00 209	LOW PRESSURE SWITCH		1	1		63L	
18	G	R01 E49 242	LINEAR EXPANSION VALVE COIL		1	1	Connector:Red	LEV-B	
19	G	R01 H20 401	LINEAR EXPANSION VALVE		2	2			
20	G	—	REPLACE FILTER		1	1	(BK00C119G02)		
21	G	R01 E13 428	BYPASS VALVE		1	1			
22	G	T7W E36 242	SOLENOID COIL <BYPASS VALVE>		1	1		SV	
23	G	T7W E52 202	THERMISTOR (OUTDOOR PIPE)		1	1		TH33	
24	G	R01 E03 418	RESTRICTOR VALVE		1	1			
25	G	R01 E50 242	LINEAR EXPANSION VALVE COIL		1	1	Connector:White	LEV-A	
26	G	R01 E68 242	LINEAR EXPANSION VALVE COIL		1	1	Connector:Blue	LEV-C	
27	G	R01 H22 401	LINEAR EXPANSION VALVE		1	1			
28	G	R01 E94 202	THERMISTOR (OUTDOOR 2-PHASE PIPE, OUTDOOR)		1	1		TH6,7	
29	G	R01 E06 208	HIGH PRESSURE SWITCH		1	1		63H	
30	G	R01 E25 413	CHARGE PLUG		1	1			
31	G	T7W E29 716	TERMINAL BLOCK	6P(L,N,⊕,S1,S2,S3)	1	1		TB1	
32	G	—	ELECTRICAL PARTS BOX		1	1	(BK00B055G41)		
33	G	T7W E74 315	CONTROLLER CIRCUIT BOARD		1	1		C.B.	
34	G	T7W E18 259	REACTOR		1	1		DCL	
35	G	T7W E51 313	POWER CIRCUIT BOARD		1	1		P.B.	
③⑥	G	R01 E06 239	FUSE	250V 6.3A	4	4		F1,2,3,4	
③⑦	G	R01 H00 202	THERMISTOR (OUTDOOR PIPE)		1	1		TH3	
③⑧	G	R01 E20 254	MAIN SMOOTHING CAPACITOR		1	1		CB	

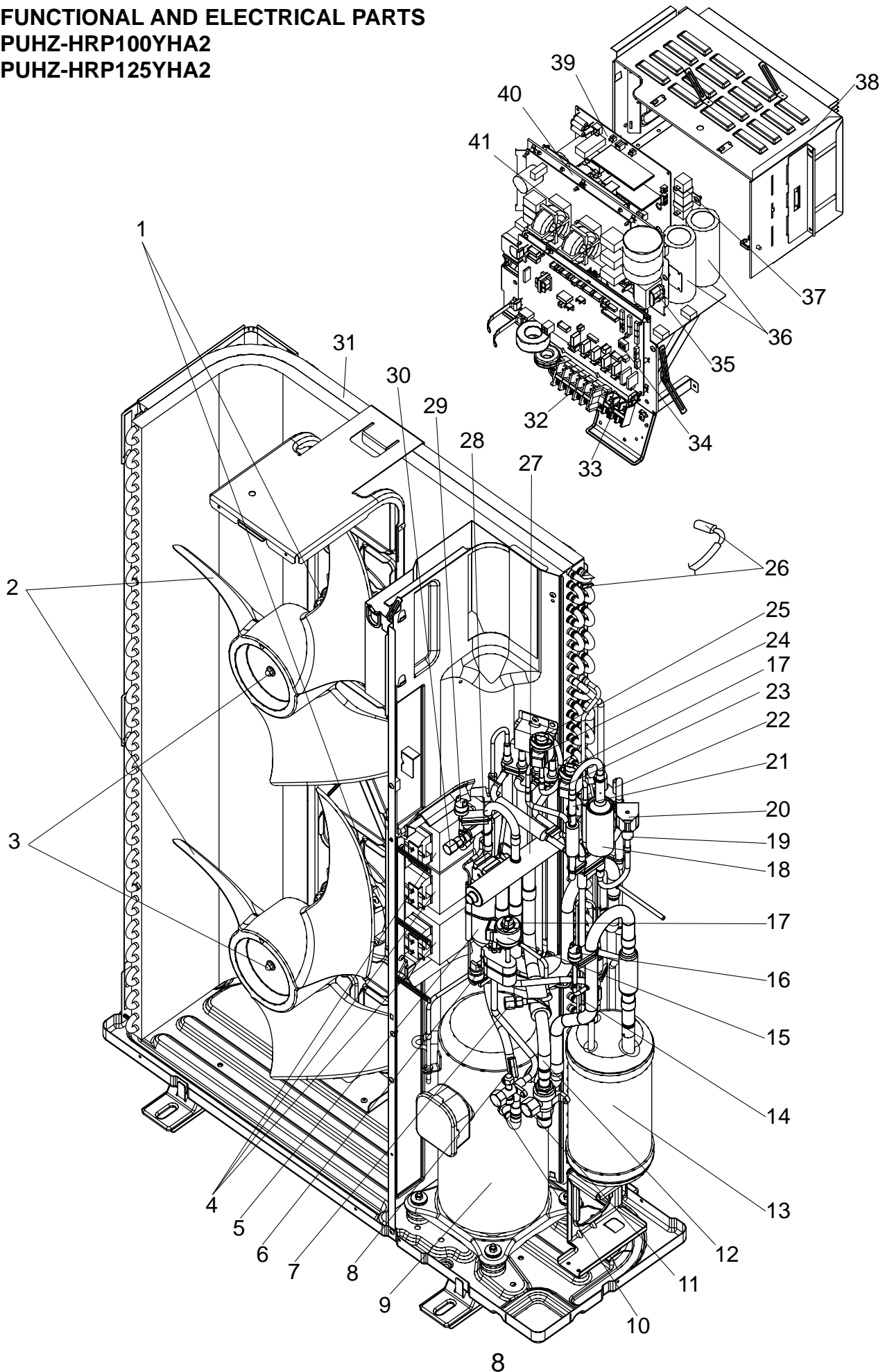
FUNCTIONAL AND ELECTRICAL PARTS
PUHZ-HRP100YHA
PUHZ-HRP125YHA



Part numbers that are circled are not shown in the figure.

No.	RoHS	Part No.	Part Name	Specification	Q'ty/set		Remarks (Drawing No.)	Wiring Diagram Symbol	Recom- mended Q'ty
					PUHZ-HRP				
					100	125			
					YHA				
1	G	T7W E27 763	FAN MOTOR	EHDS81B86MS1	2	2		MF1,2	
2	G	R01 E08 115	PROPELLER FAN		2	2			
3	G	R01 E09 097	NUT		2	2			
4	G	T7W E12 259	REACTOR		3	3		ACL1,2,3	
5	G	R01 E10 467	MUFFLER		1	1			
6	G	T7W E03 201	THERMISTOR (DISCHARGE)		1	1		TH4	
7	G	R01 E14 413	CHARGE PLUG		1	1			
8	G	T97 415 757	COMPRESSOR	ANB33FJBMT	1	1	Including RUBBER MOUNTS	MC	
9	G	R01 E13 410	STOP VALVE	3/8	1	1			
10	G	R01 E12 410	BALL VALVE	5/8	1	1			
11	G	R01 32L 450	STRAINER		1	1			
12	G	R01 E43 440	POWER RECEIVER		1	1			
13	G	R01 H20 401	LINEAR EXPANSION VALVE		2	2			
14	G	R01 H17 202	THERMISTOR (OUTDOOR PIPE)		1	1		TH32	
15	G	R01 E49 242	LINEAR EXPANSION VALVE COIL		1	1	Connector:Red	LEV-B	
16	G	R01 E00 209	LOW PRESSURE SWITCH		1	1		63L	
17	G	—	REPLACE FILTER		1	1	(BK00C119G02)		
18	G	R01 E13 428	BYPASS VALVE		1	1			
19	G	T7W E31 242	SOLENOID COIL <BYPASS VALVE>		1	1		SV	
20	G	T7W E52 202	THERMISTOR (OUTDOOR PIPE)		1	1		TH33	
21	G	R01 E03 418	RESTRICTOR VALVE		1	1			
22	G	R01 E50 242	LINEAR EXPANSION VALVE COIL		1	1	Connector:White	LEV-A	
23	G	R01 H01 202	THERMISTOR (OUTDOOR 2-PHASE PIPE, OUTDOOR)		1	1		TH6,7	
24	G	R01 H22 401	LINEAR EXPANSION VALVE		1	1			
25	G	R01 E68 242	LINEAR EXPANSION VALVE COIL		1	1	Connector:Blue	LEV-C	
26	G	R01 E32 403	4-WAY VALVE		1	1			
27	G	T7W E39 242	SOLENOID COIL <4-WAY VALVE>		1	1		21S4	
28	G	R01 E06 208	HIGH PRESSURE SWITCH		1	1		63H	
29	G	R01 E25 413	CHARGE PLUG		1	1			
30	G	R01 H01 408	HEAT EXCHANGER		1	1			
31	G	T7W E23 346	NOISE FILTER CIRCUIT BOARD		1	1		N.F.	
32	G	T7W E63 310	CONVERTER CIRCUIT BOARD		1	1		CONV.B.	
33	G	T7W E42 313	POWER CIRCUIT BOARD		1	1		P.B.	
34	G	—	ELECTRICAL PARTS BOX		1	1	(BK00C410G09)		
35	G	R01 E10 233	RESISTOR		1	1		RS	
36	G	R01 E02 254	MAIN SMOOTHING CAPACITOR		2	2		CB1, CB2	
37	G	R01 E31 259	REACTOR		1	1		ACL4	
38	G	R01 E18 246	TERMINAL BLOCK	3P (S1,S2,S3)	1	1		TB2	
39	G	T7W E30 716	TERMINAL BLOCK	5P (L1,L2,L3,N,Ⓞ)	1	1		TB1	
40	G	T7W E59 315	CONTROLLER CIRCUIT BOARD		1	1		C.B.	
④1	G	R01 E06 239	FUSE	250V 6.3A	4	4		F1,2,3,4	
④2	G	R01 H00 202	THERMISTOR (OUTDOOR PIPE)		1	1		TH3	
④3	G	T7W E10 254	CAPACITOR		1	1		CK	

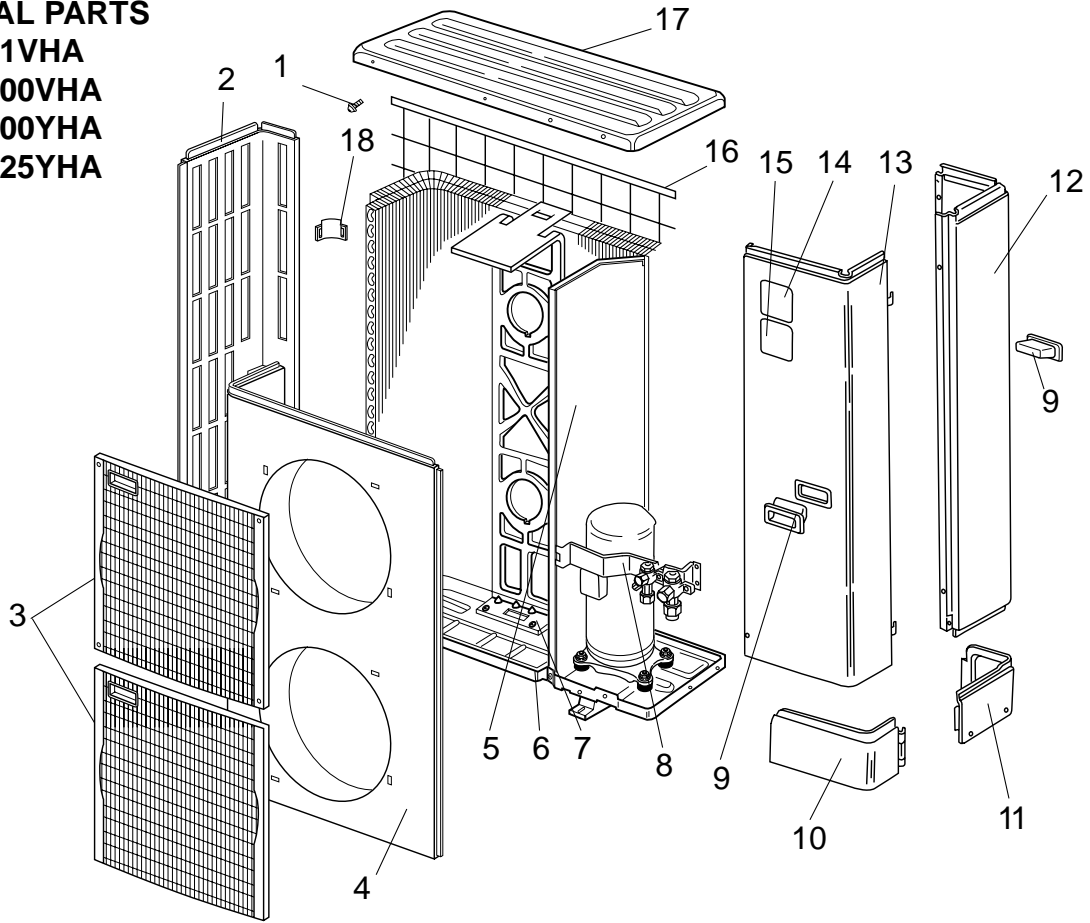
FUNCTIONAL AND ELECTRICAL PARTS
PUHZ-HRP100YHA2
PUHZ-HRP125YHA2



Part numbers that are circled are not shown in the figure.

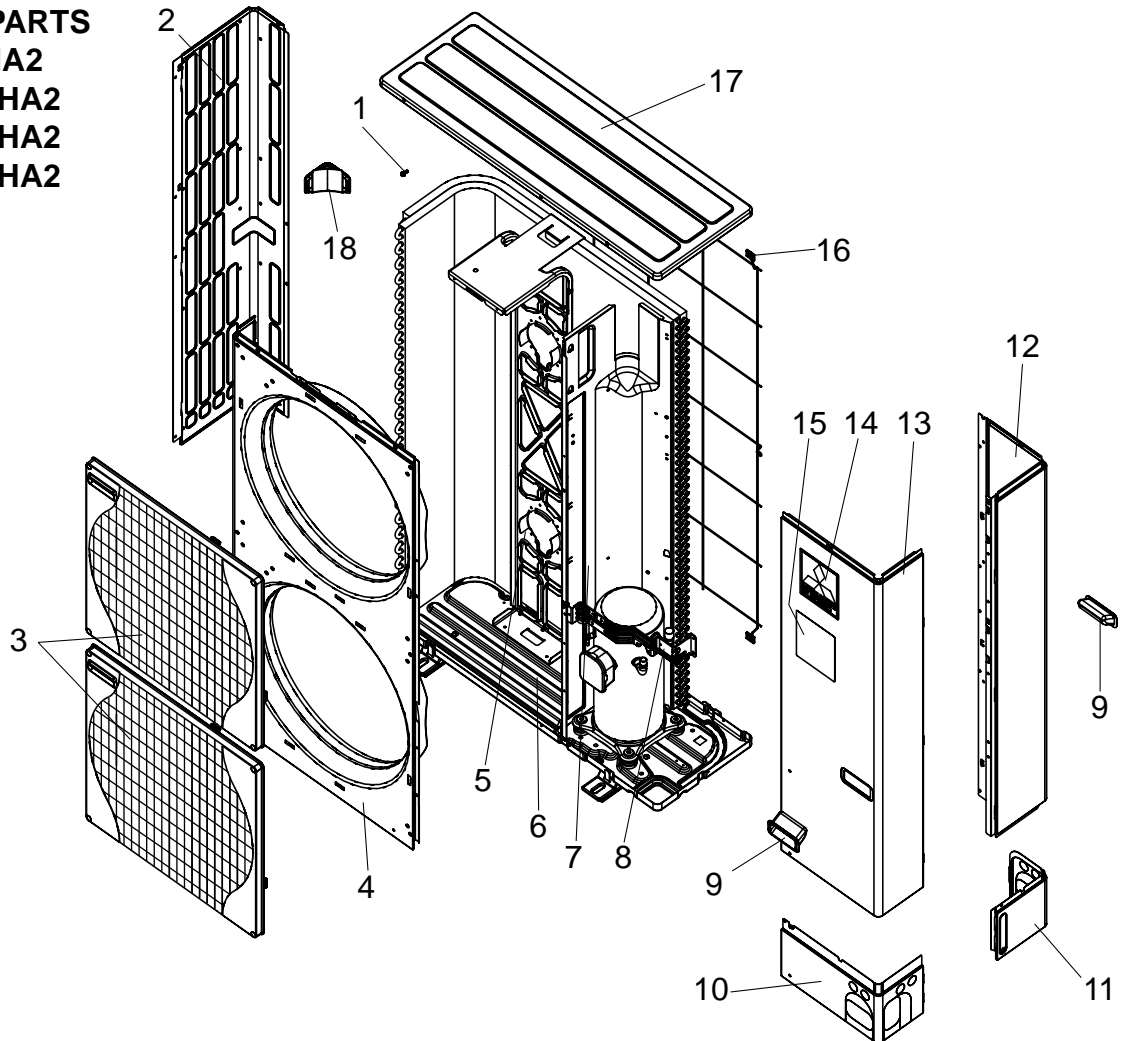
No.	RoHS	Part No.	Part Name	Specification	Q'ty/set		Remarks (Drawing No.)	Wiring Diagram Symbol	Recom- mended Q'ty
					PUHZ-HRP				
					100	125			
1	G	R01 E50 221	FAN MOTOR	SIC-71FW-D874	2	2		MF1,2	
2	G	R01 E08 115	PROPELLER FAN		2	2			
3	G	R01 E09 097	NUT		2	2			
4	G	T7W E12 259	REACTOR		3	3		ACL1,2,3	
5	G	R01 E10 467	MUFFLER		1	1			
6	G	R01 E07 208	HIGH PRESSURE SENSOR		1	1		63HS	
7	G	R01 E14 413	CHARGE PLUG		1	1			
8	G	T7W E04 201	THERMISTOR (DISCHARGE)		1	1		TH4	
9	G	T97 415 768	COMPRESSOR	ANB33FJDMT	1	1	Including RUBBER MOUNTS	MC	
10	G	R01 E13 410	STOP VALVE	3/8	1	1			
11	G	R01 E12 410	BALL VALVE	5/8	1	1			
12	G	R01 32L 450	STRAINER		1	1			
13	G	R01 E43 440	POWER RECEIVER		1	1			
14	G	R01 H17 202	THERMISTOR (OUTDOOR PIPE)		1	1		TH32	
15	G	R01 E49 242	LINEAR EXPANSION VALVE COIL		1	1	Connector:Red	LEV-B	
16	G	R01 H20 401	LINEAR EXPANSION VALVE		2	2			
17	G	R01 E00 209	LOW PRESSURE SWITCH		1	1		63L	
18	G	—	REPLACE FILTER		1	1	(BK00C119G02)		
19	G	R01 E13 428	BYPASS VALVE		1	1			
20	G	T7W E31 242	SOLENOID COIL <BYPASS VALVE>		1	1		SV	
21	G	R01 E03 418	RESTRICTOR VALVE		1	1			
22	G	T7W E52 202	THERMISTOR (OUTDOOR PIPE)		1	1		TH33	
23	G	R01 E50 242	LINEAR EXPANSION VALVE COIL		1	1	Connector:White	LEV-A	
24	G	R01 E68 242	LINEAR EXPANSION VALVE COIL		1	1	Connector:Blue	LEV-C	
25	G	R01 H22 401	LINEAR EXPANSION VALVE		1	1			
26	G	R01 H01 202	THERMISTOR (OUTDOOR 2-PHASE PIPE, OUTDOOR)		1	1		TH6,7	
27	G	R01 E32 403	4-WAY VALVE		1	1			
28	G	T7W E39 242	SOLENOID COIL <4-WAY VALVE>		1	1		21S4	
29	G	R01 E06 208	HIGH PRESSURE SWITCH		1	1		63H	
30	G	R01 E25 413	CHARGE PLUG		1	1			
31	G	R01 H01 408	HEAT EXCHANGER		1	1			
32	G	T7W E30 716	TERMINAL BLOCK	5P (L1,L2,L3,N,⊕)	1	1		TB1	
33	G	R01 E18 246	TERMINAL BLOCK	3P (S1,S2,S3)	1	1		TB2	
34	G	T7W E75 315	CONTROLLER CIRCUIT BOARD		1	1		C.B.	
35	G	R01 E31 259	REACTOR		1	1		ACL4	
36	G	R01 E02 254	MAIN SMOOTHING CAPACITOR		2	2		CB1, CB2	
37	G	R01 E10 233	RESISTOR		1	1		RS	
38	G	—	ELECTRICAL PARTS BOX		1	1	(BK00C410G09)		
39	G	T7W E50 313	POWER CIRCUIT BOARD		1	1		P.B.	
40	G	T7W E75 310	CONVERTER CIRCUIT BOARD		1	1		CONV.B.	
41	G	T7W E23 346	NOISE FILTER CIRCUIT BOARD		1	1		N.F.	
④2	G	R01 E06 239	FUSE	250V 6.3A	4	4		F1,2,3,4	
④3	G	R01 H00 202	THERMISTOR (OUTDOOR PIPE)		1	1		TH3	
④4	G	T7W E10 254	CAPACITOR		1	1		CK	

STRUCTURAL PARTS
PUHZ-HRP71VHA
PUHZ-HRP100VHA
PUHZ-HRP100YHA
PUHZ-HRP125YHA



No.	RoHS	Part No.	Part Name	Specification	Q'ty/set		Remarks (Drawing No.)	Wiring Diagram Symbol	Recom- mended Q'ty
					PUHZ-HRP				
					71,100 VHA	100,125 YHA			
1	G	—	F.ST SCREW	(5X10)	38	38	(DG12F536H10)		
2	G	R01 E20 662	SIDE PANEL (L)		1	1			
3	G	T7W E03 691	FAN GRILLE		2	2			
4	G	T7W E06 667	FRONT PANEL		1	1			
5	G	—	SEPARATOR		1		(BK00C143GA2)		
	G					1	(BK00C409G10)		
6	G	R01 E31 686	BASE ASSY		1	1			
7	G	R01 E27 130	MOTOR SUPPORT		1	1			
8	G	—	VALVE BED ASSY		1	1	(BK00C142G16)		
9	G	R01 E01 655	HANDLE		2	2			
10	G	R01 E23 658	COVER PANEL (FRONT)		1	1			
11	G	R01 E22 658	COVER PANEL (REAR)		1	1			
12	G	R01 E37 661	SIDE PANEL (R)		1	1			
13	G	T7W E08 667	SERVICE PANEL		1	1			
14	G	—	LABEL (MITSUBISHI)		1	1	(DG79R130H01)		
15	G	—	LABEL (ZUBADAN)		1	1	(BH79L116H02)		
16	G	R01 E07 698	REAR GUARD		1	1			
17	G	R01 E14 641	TOP PANEL		1				
	G	R01 E15 641	TOP PANEL			1			
18	G	R01 E02 655	HANDLE		1	1			

STRUCTURAL PARTS
PUHZ-HRP71VHA2
PUHZ-HRP100VHA2
PUHZ-HRP100YHA2
PUHZ-HRP125YHA2



No.	RoHS	Part No.	Part Name	Specification	Q'ty/set		Remarks (Drawing No.)	Wiring Diagram Symbol	Recom- mended Q'ty
					PUHZ-HRP				
					71,100 VHA2	100,125 YHA2			
1	G	—	F.ST SCREW	(5X10)	38	38	(DG12F536H10)		
2	G	R01 E20 662	SIDE PANEL (L)		1	1			
3	G	R01 E33 691	FAN GRILLE		2	2			
4	G	R01 E14 668	FRONT PANEL		1	1			
5	G	R01 E27 130	MOTOR SUPPORT		1	1			
6	G	R01 E31 686	BASE ASSY		1	1			
7	G	—	SEPARATOR		1		(BK00C143GB9)		
	G					1	(BK00C409G13)		
8	G	—	VALVE BED ASSY		1	1	(BK00C142G28)		
9	G	R01 E01 655	HANDLE		2	2			
10	G	R01 E23 658	COVER PANEL (FRONT)		1	1			
11	G	R01 E22 658	COVER PANEL (REAR)		1	1			
12	G	R01 E37 661	SIDE PANEL (R)		1	1			
13	G	T7W E08 667	SERVICE PANEL		1	1			
14	G	—	LABEL (MITSUBISHI)		1	1	(DG79R130H01)		
15	G	—	LABEL (ZUBADAN)		1	1	(BH79L116H02)		
16	G	R01 E07 698	REAR GUARD		1	1			
17	G	R01 E14 641	TOP PANEL		1				
	G	R01 E15 641	TOP PANEL			1			
18	G	R01 E02 655	HANDLE		1	1			

Mr. SLIM™

 **mitsubishi electric corporation**

HEAD OFFICE : TOKYO BLDG., 2-7-3, MARUNOUCHI, CHIYODA-KU, TOKYO 100-8310, JAPAN