



**MITSUBISHI
ELECTRIC**

SPLIT-TYPE, HEAT PUMP AIR CONDITIONERS
SPLIT-TYPE, AIR CONDITIONERS

Changes for the Better

April 2007

No. OCS07

REVISED EDITION-C

TECHNICAL DATA BOOK **R410A**

<Indoor unit>

[Model names]

**PLA-RP-BA
PLA-RP-AA
PLA-RP-AA2
PEAD-RP-EA
PEAD-RP-EA2
PEAD-RP-GA
PKA-RP-GAL
PKA-RP-FAL(2)
PCA-RP-GA(2)
PCA-RP-HA
PSA-RP-GA
PMH-P-BA**

<Outdoor unit>

[Model names]

**PUH-P71/100VHA
PUH-P71/100/125/140YHA
PU-P71/100VHA
PU-P71/100/125/140YHA**

Revision:

- PLA-RP-BA is added in REVISED EDITION-C.
- Some descriptions have been modified.

- Please void OCS07 REVISED EDITION-B.

CONTENTS

1. REFERENCE SERVICE MANUAL.....	2
2. SPECIFICATIONS	3
3. OUTLINES AND DIMENSIONS.....	19
4. WIRING DIAGRAM.....	39
5. REFRIGERANT SYSTEM DIAGRAM	52
6. PERFORMANCE CURVES	54
7. CORRECTION FACTORS.....	56
8. APPLICABLE EXTENSION PIPE FOR EACH MODEL	57
9. AIR FLOW DATA	60
10. NOISE CRITERION CURVES	79
11. OPTIONAL PARTS.....	93

kW Model

Mr. SLIM™

For information on service, please refer to the service manual as follows.

1-1. INDOOR UNIT

Model name	Service Ref.	Service Manual No.
PLA-RP35/50/60/71/100/125/140BA	PLA-RP35/50/60/71/100/125/140BA.UK	OCH412 OCB412
PLA-RP35/50/60/71AA	PLA-RP35/50/60/71AA.UK	OC335
	PLA-RP35/50/60/71AA	OC327
PLA-RP100/125/140AA2	PLA-RP100/125/140AA2.UK	OC357
PCA-RP50/60/71/100/125/140GA PCA-RP50GA2	PCA-RP50/60/71/100/125/140GA PCA-RP50GA2	OC328
PCA-RP71/125HA	PCA-RP71/125HA	OC329
PKA-RP35/50GAL	PKA-RP35/50GAL	OC330
PKA-RP60/71/100FAL PKA-RP50FAL2	PKA-RP60/71/100FAL PKA-RP50FAL2	OC331
PSA-RP71/100/125/140GA	PSA-RP71/100/125/140GA	OC332
PEAD-RP50/60/71/125/140EA PEAD-RP35/100EA2	PEAD-RP50/60/71/125/140EA.UK PEAD-RP35/100EA2.UK	HWE05210
PEAD-RP60/71/100GA	PEAD-RP60/71/100GA.UK	HWE05060
PMH-P25/35/50BA	PMH-P25/35/50BA	OC333

1-2. OUTDOOR UNIT

Model name	Service Ref.	Service Manual No.
PUH-P71/100VHA PUH-P71/100/125/140YHA PU-P71/100VHA PU-P71/100/125/140YHA	PUH-P71/100VHA ⁽¹⁾ .UK PUH-P71/100/125/140YHA ⁽¹⁾ .UK PU-P71/100VHA ⁽¹⁾ .UK PU-P71/100/125/140YHA ⁽¹⁾ .UK	OC379

2-1. CEILING CASSETTE TYPE

Model name	Indoor unit		PLA-RP71BA		PLA-RP100BA		PLA-RP125BA	PLA-RP140BA
	Outdoor unit		PUH-P71VHA	PUH-P71YHA	PUH-P100VHA	PUH-P100YHA	PUH-P125YHA	PUH-P140YHA
Cooling	Capacity	Btu/h	27,300		34,100		42,000	48,500
		kW	8.0		10.0		12.3	14.2
	Total input	kW	2.83		3.53		4.36	5.41
	EER		2.83		2.83		2.82	2.62
	Energy label class		C		C		C	D
	SHF		0.73		0.74		0.71	0.71
Heating	Capacity	Btu/h	30,700		39,200		48,800	58,000
		kW	9.0		11.5		14.3	17.0
	Total input	kW	2.82		3.40		4.23	5.35
	COP		3.19		3.38		3.38	3.18
	Energy label class		D		C		C	D
	Booster heater	kW	-		-		-	-
Power supply	Phase	ϕ	1	3	1	3	3	
	Cycle	Hz	50	50	50	50	50	
	Voltage	V	230	400	230	400	400	
	Breaker size	A	32	16	32	16	25	
Indoor unit	Air flow (Low-Medium2-Medium1-High)	CMM	14-16-18-21		20-23-26-30		22-25-28-31	24-26-29-32
		CFM	495-565-635-740		710-810-920-1060		780-880-990-1090	850-920-1020-1130
	External pressure	Pa	0		0		0	0
	Sound level (Low-Medium2-Medium1-High)	dB(A)	28-30-32-34		32-34-37-40		34-36-39-41	36-39-42-44
	External finish (Panel)		White Munsell 6.4Y 8.9/0.4					
	Dimension Unit (Panel)	W : mm	840 (950)		840 (950)			
		D : mm	840 (950)		840 (950)			
		H : mm	258 (35)		298 (35)			
		W : inch	33-1/16 (37-3/8)		33-1/16 (37-3/8)			
		D : inch	33-1/16 (37-3/8)		33-1/16 (37-3/8)			
		H : inch	10-3/16 (1-3/8)		11-3/4 (1-3/8)			
	Weight Unit (Panel)	kg	23 (6)		25 (6)		27 (6)	
		lbs	51 (13)		55 (13)		60 (13)	
	Field drain pipe O.D.	mm	32		32			
inch		1-1/4		1-1/4				
Outdoor unit	Air flow	CMM	55		65		100	
		CFM	1,940		2,290		3,530	
	Sound level at cooling	dB(A)	49		50		50	51
	Sound level at heating	dB(A)	50		52		52	53
	External finish		Ivory Munsell 5Y 7/1					
	Dimension	W : mm	950		950		950	
		D : mm	330+30		330+30		330+30	
		H : mm	943		943		1350	
		W : inch	37-3/8		37-3/8		37-3/8	
		D : inch	13 + 1-3/16		13 + 1-3/16		13 + 1-3/16	
		H : inch	37-1/8		37-1/8		53-1/8	
	Weight	kg	93		94		131	
		lbs	205		207		289	
	Refrigerant pipe size	Gas side O.D.	mm	15.88		15.88		15.88
inch			5/8		5/8		5/8	
Liquid side O.D.		mm	9.52		9.52		9.52	
		inch	3/8		3/8		3/8	
Refrigerant pipe length	Height difference	m	Max. 50		Max. 50		Max. 50	
	Length	m	Max. 50		Max. 50		Max. 50	

- NOTE:**
- Rating conditions (ISO T1)
Cooling Indoor : D.B. 27°C (80°F) W.B. 19°C (66°F) Outdoor : D.B. 35°C (95°F) W.B. 24°C (75°F)
Heating Indoor : D.B. 20°C (68°F) Outdoor : D.B. 7°C (45°F) W.B. 6°C (43°F)
Refrigerant piping length (one way) : 5m (16ft.)
 - Guaranteed operating range

		Indoor	Outdoor
Cooling	Upper limit	D.B. 35°C, W.B. 22.5°C	D.B. 46°C
	Lower limit	D.B. 19°C, W.B. 15°C	D.B. -5°C *
Heating	Upper limit	D.B. 28°C	D.B. 21°C, W.B. 15°C
	Lower limit	D.B. 17°C	D.B. -11°C, W.B. -12°C

- Guaranteed voltage
198~264V, 50Hz : Single phase
342~457V, 50Hz : 3 phase
- Above data are based on the indicated voltage
Indoor unit Single phase 230V 50Hz
Outdoor unit Single phase 230V 50Hz
/ 3 phase 400V 50Hz
- * If optional Air protect guide installed. D.B.-15°C

Model name	Indoor unit		PLA-RP71BA		PLA-RP100BA		PLA-RP125BA	PLA-RP140BA
	Outdoor unit		PU-P71VHA	PU-P71YHA	PU-P100VHA	PU-P100YHA	PU-P125YHA	PU-P140YHA
Cooling	Capacity	Btu/h	27,300		34,100		42,000	48,500
		kW	8.0		10.0		12.3	14.2
	Total input	kW	2.83		3.53		4.36	5.41
	EER		2.83		2.83		2.82	2.62
	Energy label class		C		C		C	D
	SHF		0.73		0.74		0.71	0.71
Heating	Capacity	Btu/h	-		-		-	-
		kW	-		-		-	-
	Total input	kW	-		-		-	-
	COP		-		-		-	-
	Energy label class		-		-		-	-
	Booster heater		kW	-		-		-
Power supply	Phase	φ	1	3	1	3	3	
	Cycle	Hz	50	50	50	50	50	
	Voltage	V	230	400	230	400	400	
	Breaker size	A	32	16	32	16	25	
Indoor unit	Air flow (Low-Medium2-Medium1-High)	CMM	14-16-18-21		20-23-26-30		22-25-28-31	24-26-29-32
		CFM	495-565-635-740		710-810-920-1060		780-880-990-1090	850-920-1020-1130
	External pressure	Pa	0		0		0	0
	Sound level (Low-Medium2-Medium1-High)	dB(A)	28-30-32-34		32-34-37-40		34-36-39-41	36-39-42-44
	External finish (Panel)		White Munsell 6.4Y 8.9/0.4					
	Dimension Unit (Panel)	W : mm	840 (950)		840 (950)			
		D : mm	840 (950)		840 (950)			
		H : mm	258 (35)		298 (35)			
		W : inch	33-1/16 (37-3/8)		33-1/16 (37-3/8)			
		D : inch	33-1/16 (37-3/8)		33-1/16 (37-3/8)			
		H : inch	10-3/16 (1-3/8)		11-3/4 (1-3/8)			
	Weight Unit (Panel)	kg	23 (6)		25 (6)		27 (6)	
		lbs	51 (13)		55 (13)		60 (13)	
Field drain pipe O.D.	mm	32		32				
	inch	1-1/4		1-1/4				
Outdoor unit	Air flow	CMM	55		65		100	
		CFM	1,940		2,290		3,530	
	Sound level at cooling	dB(A)	49		50		50	51
	Sound level at heating	dB(A)	-		-		-	-
	External finish		Ivory Munsell 5Y 7/1					
	Dimension	W : mm	950		950		950	
		D : mm	330+30		330+30		330+30	
		H : mm	943		943		1350	
		W : inch	37-3/8		37-3/8		37-3/8	
		D : inch	13 + 1-3/16		13 + 1-3/16		13 + 1-3/16	
H : inch		37-1/8		37-1/8		53-1/8		
Weight	kg	93		94		131		
	lbs	205		207		289		
Refrigerant pipe size	Gas side O.D.	mm	15.88		15.88		15.88	
		inch	5/8		5/8		5/8	
	Liquid side O.D.	mm	9.52		9.52		9.52	
		inch	3/8		3/8		3/8	
Refrigerant pipe length	Height difference	m	Max. 50		Max. 50		Max. 50	
	Length	m	Max. 50		Max. 50		Max. 50	

- NOTE:**
- Rating conditions (ISO T1)
Cooling Indoor : D.B. 27°C (80°F) W.B. 19°C (66°F) Outdoor : D.B. 35°C (95°F) W.B. 24°C (75°F)
Refrigerant piping length (one way) : 5m (16ft.)
 - Guaranteed operating range

		Indoor	Outdoor
Cooling	Upper limit	D.B. 35°C, W.B. 22.5°C	D.B. 46°C
	Lower limit	D.B. 19°C, W.B. 15°C	D.B. -5°C *

- Guaranteed voltage
198~264V, 50Hz : Single phase
342~457V, 50Hz : 3 phase
 - Above data are based on the indicated voltage
Indoor unit Single phase 230V 50Hz
Outdoor unit Single phase 230V 50Hz
/ 3 phase 400V 50Hz
- * If optional Air protect guide installed. D.B.-15°C

Model name	Indoor unit		PLA-RP71AA		PLA-RP100AA2		PLA-RP125AA2	PLA-RP140AA2	
	Outdoor unit		PUH-P71VHA	PUH-P71YHA	PUH-P100VHA	PUH-P100YHA	PUH-P125YHA	PUH-P140YHA	
Cooling	Capacity	Btu/h	27,300		34,100		42,000	48,500	
		kW	8.0		10.0		12.3	14.2	
	Total input	kW	2.83		3.53		4.36	5.41	
	EER		2.83		2.83		2.82	2.62	
	Energy label class		C		C		C	D	
	SHF		0.74		0.78		0.74	0.71	
Heating	Capacity	Btu/h	30,700 [37,300]		39,200		48,800	58,000	
		kW	9.0 [10.93]		11.5		14.3	17.0	
	Total input	kW	2.82 [4.75]		3.40		4.23	5.35	
	COP		3.19		3.38		3.38	3.18	
	Energy label class		D		C		C	D	
	Booster heater	kW	[2.1]		-		-	-	
Power supply	Phase	ϕ	1	3	1	3	3		
	Cycle	Hz	50	50	50	50	50		
	Voltage	V	230	400	230	400	400		
	Breaker size	A	32	16	32	16	25		
Indoor unit	Air flow	CMM	15-16-18-20		19-21-23-27		24-25-27-30		
	(Low-Medium2-Medium1-High)	CFM	530-565-635-705		670-740-810-950		850-880-950-1060		
	External pressure	Pa	0		0		0		
	Sound level	dB(A)	28-30-32-34		33-36-39-41		37-40-43-45		
	(Low-Medium2-Medium1-High)								
	External finish (Panel)		White Munsell 0.70Y 8.59/0.97						
	Dimension	Unit (Panel)	W : mm	840 (950)		840 (950)			
			D : mm	840 (950)		840 (950)			
			H : mm	258 (30)		298 (30)			
			W : inch	33-1/16 (37-3/8)		33-1/16 (37-3/8)			
			D : inch	33-1/16 (37-3/8)		33-1/16 (37-3/8)			
H : inch			10-3/16 (1-3/16)		11-3/4 (1-3/16)				
Weight	Unit (Panel)	kg	24 [26] (5)		32 (5)				
		lbs	53 [57] (11)		71 (11)				
Unit drain pipe I.D.		mm	32		32				
		inch	1-1/4		1-1/4				
Outdoor unit	Air flow	CMM	55		65		100		
		CFM	1,940		2,290		3,530		
	Sound level at cooling	dB(A)	49		50		50	51	
	Sound level at heating	dB(A)	50		52		52	53	
	External finish		Ivory Munsell 5Y 7/1						
	Dimension		W : mm	950		950		950	
			D : mm	330+30		330+30		330+30	
			H : mm	943		943		1350	
			W : inch	37-3/8		37-3/8		37-3/8	
			D : inch	13 + 1-3/16		13 + 1-3/16		13 + 1-3/16	
			H : inch	37-1/8		37-1/8		53-1/8	
Weight		kg	93		94		131		
		lbs	205		207		289		
Refrigerant pipe size	Gas side O.D.	mm	15.88		15.88		15.88		
		inch	5/8		5/8		5/8		
	Liquid side O.D.	mm	9.52		9.52		9.52		
		inch	3/8		3/8		3/8		
Refrigerant pipe length	Height difference	m	Max. 50		Max. 50		Max. 50		
	Length	m	Max. 50		Max. 50		Max. 50		

- NOTE:**
- Rating conditions (ISO T1)
Cooling Indoor : D.B. 27°C (80°F) W.B. 19°C (66°F) Outdoor : D.B. 35°C (95°F) W.B. 24°C (75°F)
Heating Indoor : D.B. 20°C (68°F) Outdoor : D.B. 7°C (45°F) W.B. 6°C (43°F)
Refrigerant piping length (one way) : 5m (16ft.)

- Guaranteed operating range

		Indoor	Outdoor
Cooling	Upper limit	D.B. 35°C, W.B. 22.5°C	D.B. 46°C
	Lower limit	D.B. 19°C, W.B. 15°C	D.B. -5°C *
Heating	Upper limit	D.B. 28°C	D.B. 21°C, W.B. 15°C
	Lower limit	D.B. 17°C	D.B. -11°C, W.B. -12°C

- Guaranteed voltage
198~264V, 50Hz : Single phase
342~457V, 50Hz : 3 phase
 - Above data are based on the indicated voltage
Indoor unit Single phase 230V 50Hz
Outdoor unit Single phase 230V 50Hz
/ 3 phase 400V 50Hz
- * If optional Air protect guide installed. D.B. -15°C

Model name	Indoor unit		PLA-RP71AA		PLA-RP100AA2		PLA-RP125AA2	PLA-RP140AA2
	Outdoor unit		PU-P71VHA	PU-P71YHA	PU-P100VHA	PU-P100YHA	PU-P125YHA	PU-P140YHA
Cooling	Capacity	Btu/h	27,300		34,100		42,000	48,500
		kW	8.0		10.0		12.3	14.2
	Total input	kW	2.83		3.53		4.36	5.41
	EER		2.83		2.83		2.82	2.62
	Energy label class		C		C		C	D
	SHF		0.74		0.78		0.74	0.71
Heating	Capacity	Btu/h	-		-		-	-
		kW	-		-		-	-
	Total input	kW	-		-		-	-
	COP		-		-		-	-
	Energy label class		-		-		-	-
	Booster heater	kW	-		-		-	-
Power supply	Phase	φ	1	3	1	3	3	
	Cycle	Hz	50	50	50	50	50	
	Voltage	V	230	400	230	400	400	
	Breaker size	A	32	16	32	16	25	
Indoor unit	Air flow	CMM	15-16-18-20		19-21-23-27		24-25-27-30	
	(Low-Medium2-Medium1-High)	CFM	530-565-635-705		670-740-810-950		850-880-950-1060	
	External pressure	Pa	0		0		0	
	Sound level (Low-Medium2-Medium1-High)	dB(A)	28-30-32-34		33-36-39-41		37-40-43-45	
	External finish (Panel)		White Munsell 0.70Y 8.59/0.97					
	Dimension Unit (Panel)	W : mm	840 (950)		840 (950)			
		D : mm	840 (950)		840 (950)			
		H : mm	258 (30)		298 (30)			
		W : inch	33-1/16 (37-3/8)		33-1/16 (37-3/8)			
		D : inch	33-1/16 (37-3/8)		33-1/16 (37-3/8)			
		H : inch	10-3/16 (1-3/16)		11-3/4 (1-3/16)			
Weight Unit (Panel)	kg	24 (5)		32 (5)				
	lbs	53 (11)		71 (11)				
Unit drain pipe I.D.	mm	32		32				
	inch	1-1/4		1-1/4				
Outdoor unit	Air flow	CMM	55		65		100	
		CFM	1,940		2,290		3,530	
	Sound level at cooling	dB(A)	49		50		50	51
	Sound level at heating	dB(A)	-		-		-	-
	External finish		Ivory Munsell 5Y 7/1					
	Dimension	W : mm	950		950		950	
		D : mm	330+30		330+30		330+30	
		H : mm	943		943		1350	
		W : inch	37-3/8		37-3/8		37-3/8	
		D : inch	13 + 1-3/16		13 + 1-3/16		13 + 1-3/16	
		H : inch	37-1/8		37-1/8		53-1/8	
Weight	kg	93		94		131		
	lbs	205		207		289		
Refrigerant pipe size	Gas side O.D.	mm	15.88		15.88		15.88	
		inch	5/8		5/8		5/8	
	Liquid side O.D.	mm	9.52		9.52		9.52	
		inch	3/8		3/8		3/8	
Refrigerant pipe length	Height difference	m	Max. 50		Max. 50		Max. 50	
	Length	m	Max. 50		Max. 50		Max. 50	

NOTE: 1. Rating conditions (ISO T1)
Cooling Indoor : D.B. 27°C (80°F) W.B. 19°C (66°F) Outdoor : D.B. 35°C (95°F) W.B. 24°C (75°F)
Refrigerant piping length (one way) : 5m (16ft.)

2. Guaranteed operating range

Cooling		Indoor	Outdoor
		Upper limit	D.B. 35°C, W.B. 22.5°C
Lower limit	D.B. 19°C, W.B. 15°C	D.B. -5°C	*

3. Guaranteed voltage

198~264V, 50Hz : Single phase
342~457V, 50Hz : 3 phase

4. Above data are based on the indicated voltage

Indoor unit Single phase 230V 50Hz

Outdoor unit Single phase 230V 50Hz

/ 3 phase 400V 50Hz

* If optional Air protect guide installed. D.B.-15°C

2-2. CEILING-CONCEALED TYPE

Model name	Indoor unit		PEAD-RP71EA		PEAD-RP100EA2		PEAD-RP125EA	PEAD-RP140EA
	Outdoor unit		PUH-P71VHA	PUH-P71YHA	PUH-P100VHA	PUH-P100YHA	PUH-P125YHA	PUH-P140YHA
Cooling	Capacity	Btu/h	27,000		34,100		42,000	48,500
		kW	7.9		10.0		12.3	14.2
	Total input	kW	2.97		3.69		4.41	5.63
	EER		2.66		2.71		2.79	2.52
	Energy label class		D		D		D	E
	SHF		0.83		0.86		0.82	0.83
Heating	Capacity	Btu/h	30,700 [37,300]		39,200 [46,800]		48,800 [58,200]	57,000 [66,400]
		kW	9.0 [10.93]		11.5 [13.71]		14.3 [17.06]	16.7 [19.46]
	Total input	kW	3.11 [5.04]		3.42 [5.63]		4.32 [7.08]	5.28 [8.04]
	COP		2.89		3.36		3.31	3.16
	Energy label class		D		C		C	D
	Booster heater	kW	[2.1]		[2.4]		[3.0]	[3.0]
Power supply	Phase	ϕ	1		1	3	3	
	Cycle	Hz	50		50	50	50	
	Voltage	V	230		230	400	400	
	Breaker size	A	32	16	32	16	25	
Indoor unit	Air flow	CMM	20-25		33.5-42		33.5-42	36.5-46
		CFM	706-883		1183-1483		1183-1483	1288-1624
	External pressure	Pa	70(130)		70(130)		70(130)	
	Sound level (Low-High)	dB(A)	37-41		44-50		44-50	46-51
			(130Pa : 40-45)		(130Pa : 46-52)		(130Pa : 46-52)	(130Pa : 47-53)
	External finish		Galvanized sheets					
	Dimension	W : mm	1175		1415		1415	1715
			740		740		740	
		H : mm	325		325		325	
			46-1/8		55-11/16		55-11/16	67-1/2
		D : inch	29-1/8		29-1/8		29-1/8	
			12-13/16		12-13/16		12-13/16	
	Weight	kg	44 [46]		65 [68]		65 [68]	70 [73]
lbs		97 [101]		143 [150]		143 [150]	154 [161]	
Unit drain pipe		R1(External thread)						
Outdoor unit	Air flow	CMM	55		65		100	
		CFM	1,940		2,290		3,530	
	Sound level at cooling	dB(A)	49		50		50	51
	Sound level at heating	dB(A)	50		52		52	53
	External finish		Ivory Munsell 5Y 7/1					
	Dimension	W : mm	950		950		950	
			330+30		330+30		330+30	
		H : mm	943		943		1350	
			37-3/8		37-3/8		37-3/8	
		D : inch	13 + 1-3/16		13 + 1-3/16		13 + 1-3/16	
			37-1/8		37-1/8		53-1/8	
	Weight	kg	93		94		131	
		lbs	205		207		289	
Refrigerant pipe size	Gas side O.D.	mm	15.88		15.88		15.88	
		inch	5/8		5/8		5/8	
	Liquid side O.D.	mm	9.52		9.52		9.52	
		inch	3/8		3/8		3/8	
Refrigerant pipe length	Height difference	m	Max. 50		Max. 50		Max. 50	
	Length	m	Max. 50		Max. 50		Max. 50	

NOTE: 1. Rating conditions (ISO T1)

Cooling Indoor : D.B. 27°C (80°F) W.B. 19°C (66°F) Outdoor : D.B. 35°C (95°F) W.B. 24°C (75°F)
 Heating Indoor : D.B. 20°C (68°F) Outdoor : D.B. 7°C (45°F) W.B. 6°C (43°F)
 Refrigerant piping length (one way) : 5m (16ft.)

2. Guaranteed operating range

		Indoor		Outdoor	
Cooling	Upper limit	D.B. 35°C, W.B. 22.5°C		D.B. 46°C	
	Lower limit	D.B. 19°C, W.B. 15°C		D.B. -5°C *	
Heating	Upper limit	D.B. 28°C		D.B. 21°C, W.B. 15°C	
	Lower limit	D.B. 17°C		D.B. -11°C, W.B. -12°C	

3. Guaranteed voltage

198~264V, 50Hz : Single phase
 342~457V, 50Hz : 3 phase

4. Above data are based on the indicated voltage

Indoor unit Single phase 230V 50Hz
 Outdoor unit Single phase 230V 50Hz
 / 3 phase 400V 50Hz

* If optional Air protect guide installed. D.B.-15°C



Model name	Indoor unit		PEAD-RP71EA		PEAD-RP100EA2		PEAD-RP125EA	PEAD-RP140EA
	Outdoor unit		PU-P71VHA	PU-P71YHA	PU-P100VHA	PU-P100YHA	PU-P125YHA	PU-P140YHA
Cooling	Capacity	Btu/h	27,000		34,100		42,000	48,500
		kW	7.9		10.0		12.3	14.2
	Total input	kW	2.97		3.69		4.41	5.63
	EER		2.66		2.71		2.79	2.52
	Energy label class		D		D		D	E
	SHF		0.83		0.86		0.82	0.83
Heating	Capacity	Btu/h	-		-		-	-
		kW	-		-		-	-
	Total input	kW	-		-		-	-
	COP		-		-		-	-
	Energy label class		-		-		-	-
	Booster heater	kW	-		-		-	-
Power supply	Phase	φ	1		1	3	3	
	Cycle	Hz	50		50	50	50	
	Voltage	V	230		230	400	400	
	Breaker size	A	32	16	32	16	25	
Indoor unit	Air flow	CMM	20-25		33.5-42		33.5-42	36.5-46
	(Low-High)	CFM	706-883		1183-1483		1183-1483	1288-1624
	External pressure	Pa	70(130)		70(130)		70(130)	
	Sound level	dB(A)	37-41		44-50		44-50	46-51
	(Low-High)		(130Pa : 40-45)		(130Pa : 46-52)		(130Pa : 46-52)	(130Pa : 47-53)
	External finish		Galvanized sheets					
	Dimension	W : mm	1175		1415		1415	1715
		D : mm	740		740		740	
		H : mm	325		325		325	
		W : inch	46-1/8		55-11/16		55-11/16	67-1/2
		D : inch	29-1/8		29-1/8		29-1/8	
		H : inch	12-13/16		12-13/16		12-13/16	
	Weight	kg	44		65		65	70
lbs		97		143		143	154	
Unit drain pipe		R1(External thread)						
Outdoor unit	Air flow	CMM	55		65		100	
		CFM	1,940		2,290		3,530	
	Sound level at cooling	dB(A)	49		50		50	51
	Sound level at heating	dB(A)	-		-		-	-
	External finish		Ivory Munsell 5Y 7/1					
	Dimension	W : mm	950		950		950	
		D : mm	330+30		330+30		330+30	
		H : mm	943		943		1350	
		W : inch	37-3/8		37-3/8		37-3/8	
		D : inch	13 + 1-3/16		13 + 1-3/16		13 + 1-3/16	
		H : inch	37-1/8		37-1/8		53-1/8	
Weight	kg	93		94		131		
	lbs	205		207		289		
Refrigerant pipe size	Gas side O.D.	mm	15.88		15.88		15.88	
		inch	5/8		5/8		5/8	
	Liquid side O.D.	mm	9.52		9.52		9.52	
		inch	3/8		3/8		3/8	
Refrigerant pipe length	Height difference	m	Max. 50		Max. 50		Max. 50	
	Length	m	Max. 50		Max. 50		Max. 50	

NOTE: 1. Rating conditions (ISO T1)
Cooling Indoor : D.B. 27°C (80°F) W.B. 19°C (66°F) Outdoor : D.B. 35°C (95°F) W.B. 24°C (75°F)
Refrigerant piping length (one way) : 5m (16ft.)

2. Guaranteed operating range

Cooling		Indoor		Outdoor		
		Upper limit	D.B. 35°C, W.B. 22.5°C	D.B. 46°C		
		Lower limit	D.B. 19°C, W.B. 15°C	D.B. -5°C	*	

3. Guaranteed voltage

198~264V, 50Hz : Single phase
342~457V, 50Hz : 3 phase

4. Above data are based on the indicated voltage

Indoor unit Single phase 230V 50Hz

Outdoor unit Single phase 230V 50Hz

/ 3 phase 400V 50Hz

* If optional Air protect guide installed. D.B.-15°C

Model name	Indoor unit		PEAD-RP71GA		PEAD-RP100GA	
	Outdoor unit		PUH-P71VHA	PUH-P71YHA	PUH-P100VHA	PUH-P100YHA
Cooling	Capacity	Btu/h	27,000		33,100	
		kW	7.9		9.7	
	Total input	kW	2.97		3.98	
	EER		2.66		2.44	
	Energy label class		D		E	
	SHF		0.83		0.86	
Heating	Capacity	Btu/h	30,700		39,200	
		kW	9.0		11.5	
	Total input	kW	3.11		4.09	
	COP		2.89		2.81	
	Energy label class		D		D	
	Booster heater		kW		-	
Power supply	Phase	ϕ	1	3	1	3
	Cycle	Hz	50	50	50	50
	Voltage	V	230	400	230	400
	Breaker size	A	32	16	32	16
Indoor unit	Air flow (Low-High)	CMM	20-25		26.5-33	
		CFM	706-883		935-1165	
	External pressure		Pa		10/50/70	
	Sound level (Low-High)		dB(A)		35-38/37-41/37-43 (10/50/70Pa)	
	External finish		Galvanized sheets			
	Dimension	W : mm	1171		1411	
		D : mm	740			
		H : mm	275			
		W : inch	46-1/8		55-9/16	
		D : inch	29-1/8			
		H : inch	10-13/16			
	Weight	kg	42		50	
		lbs	93		111	
	Unit drain pipe O.D.	mm	32			
inch		1-1/4				
Outdoor unit	Air flow	CMM	55		65	
		CFM	1,940		2,290	
	Sound level at cooling	dB(A)	49		50	
	Sound level at heating	dB(A)	50		52	
	External finish		Ivory Munsell 5Y 7/1			
	Dimension	W : mm	950		950	
		D : mm	330+30		330+30	
		H : mm	943			
		W : inch	37-3/8		37-3/8	
		D : inch	13 + 1-3/16		13 + 1-3/16	
		H : inch	37-1/8		37-1/8	
	Weight	kg	93		94	
		lbs	205		207	
Refrigerant pipe size	Gas side O.D.	mm	15.88		15.88	
		inch	5/8			
	Liquid side O.D.	mm	9.52		9.52	
		inch	3/8			
Refrigerant pipe length	Height difference	m	Max. 50		Max. 50	
	Length	m	Max. 50		Max. 50	

NOTE: 1. Rating conditions (ISO T1)
Cooling Indoor : D.B. 27°C (80°F) W.B. 19°C (66°F) Outdoor : D.B. 35°C (95°F) W.B. 24°C (75°F)
Heating Indoor : D.B. 20°C (68°F) Outdoor : D.B. 7°C (45°F) W.B. 6°C (43°F)
Refrigerant piping length (one way) : 5m (16ft.)

2. Guaranteed operating range

		Indoor	Outdoor
Cooling	Upper limit	D.B. 35°C, W.B. 22.5°C	D.B. 46°C
	Lower limit	D.B. 19°C, W.B. 15°C	D.B. -5°C *
Heating	Upper limit	D.B. 28°C	D.B. 21°C, W.B. 15°C
	Lower limit	D.B. 17°C	D.B. -11°C, W.B. -12°C

3. Guaranteed voltage

198~264V, 50Hz : Single phase
342~457V, 50Hz : 3 phase

4. Above data are based on the indicated voltage
Indoor unit Single phase 230V 50Hz
Outdoor unit Single phase 230V 50Hz
/ 3 phase 400V 50Hz

* If optional Air protect guide installed. D.B.-15°C

Model name	Indoor unit		PEAD-RP71GA		PEAD-RP100GA	
	Outdoor unit		PU-P71VHA	PU-P71YHA	PU-P100VHA	PU-P100YHA
Cooling	Capacity	Btu/h	27,000		33,100	
		kW	7.9		9.7	
	Total input	kW	2.97		3.98	
	EER		2.66		2.44	
	Energy label class		D		E	
	SHF		0.83		0.86	
Heating	Capacity	Btu/h	-		-	
		kW	-		-	
	Total input	kW	-		-	
	COP		-		-	
	Energy label class		-		-	
	Booster heater	kW	-		-	
Power supply	Phase	φ	1	3	1	3
	Cycle	Hz	50	50	50	50
	Voltage	V	230	400	230	400
	Breaker size	A	32	16	32	16
Indoor unit	Air flow	CMM	20-25		26.5-33	
	(Low-High)	CFM	706-883		935-1165	
	External pressure	Pa	10/50/70		10/50/70	
	Sound level (Low-High)	dB(A)	35-38/37-41/37-43 (10/50/70Pa)		40-43/42-45/42-46 (10/50/70Pa)	
	External finish		Galvanized sheets			
	Dimension	W : mm	1171		1411	
		D : mm	740			
		H : mm	275			
		W : inch	46-1/8		55-9/16	
		D : inch	29-1/8			
		H : inch	10-13/16			
	Weight	kg	42		50	
		lbs	93		111	
	Unit drain pipe O.D.	mm	32			
inch		1-1/4				
Outdoor unit	Air flow	CMM	55		65	
		CFM	1,940		2,290	
	Sound level at cooling	dB(A)	49		50	
	Sound level at heating	dB(A)	-		-	
	External finish		Ivory Munsell 5Y 7/1			
	Dimension	W : mm	950		950	
		D : mm	330+30		330+30	
		H : mm	943		943	
		W : inch	37-3/8		37-3/8	
		D : inch	13 + 1-3/16		13 + 1-3/16	
		H : inch	37-1/8		37-1/8	
Weight	kg	93		94		
	lbs	205		207		
Refrigerant pipe size	Gas side O.D.	mm	15.88		15.88	
		inch	5/8		5/8	
	Liquid side O.D.	mm	9.52		9.52	
		inch	3/8		3/8	
Refrigerant pipe length	Height difference	m	Max. 50		Max. 50	
	Length	m	Max. 50		Max. 50	

NOTE: 1. Rating conditions (ISO T1)
Cooling Indoor : D.B. 27°C (80°F) W.B. 19°C (66°F) Outdoor : D.B. 35°C (95°F) W.B. 24°C (75°F)
Refrigerant piping length (one way) : 5m (16ft.)

2. Guaranteed operating range

		Indoor	Outdoor
Cooling	Upper limit	D.B. 35°C, W.B. 22.5°C	D.B. 46°C
	Lower limit	D.B. 19°C, W.B. 15°C	D.B. -5°C *

3. Guaranteed voltage

198~264V, 50Hz : Single phase
342~457V, 50Hz : 3 phase

4. Above data are based on the indicated voltage

Indoor unit Single phase 230V 50Hz

Outdoor unit Single phase 230V 50Hz

/ 3 phase 400V 50Hz

* If optional Air protect guide installed. D.B. -15°C

2-3. CEILING-SUSPENDED TYPE

Model name	Indoor unit		PCA-RP71GA		PCA-RP100GA		PCA-RP125GA	PCA-RP140GA
	Outdoor unit		PUH-P71VHA	PUH-P71YHA	PUH-P100VHA	PUH-P100YHA	PUH-P125YHA	PUH-P140YHA
Cooling	Capacity	Btu/h	25,900		33,400		42,000	48,500
		kW	7.6		9.8		12.3	14.2
	Total input	kW	2.84		3.55		4.52	5.44
	EER		2.68		2.76		2.72	2.61
	Energy label class		D		D		D	D
	SHF		0.74		0.75		0.77	0.75
Heating	Capacity	Btu/h	30,000 [36,600]		39,200 [47,700]		48,800 [58,200]	58,000 [67,400]
		kW	8.8 [10.73]		11.5 [13.98]		14.3 [17.06]	17.0 [19.76]
	Total input	kW	2.76 [4.69]		3.45 [5.93]		4.72 [7.48]	5.22 [7.98]
	COP		3.19		3.33		3.03	3.26
	Energy label class		D		C		D	C
	Booster heater	kW	[2.1]		[2.7]		[3.0]	[3.0]
Power supply	Phase	ϕ	1	3	1	3	3	
	Cycle	Hz	50	50	50	50	50	
	Voltage	V	230	400	230	400	400	
	Breaker size	A	32	16	32	16	25	
Indoor unit	Air flow	CMM	14-15-16-18		20-21-23-25		27-30-32-34	
	(Low-Medium2-Medium1-High)	CFM	495-530-565-635		705-840-810-885		955-1060-1130-1200	
	External pressure	Pa	0		0		0	
	Sound level (Low-Medium2-Medium1-High)	dB(A)	37-39-41-43		40-41-43-45		41-43-45-46	42-44-46-48
	External finish		White Munsell 0.70Y 8.59/0.97					
	Dimension	W : mm		1310		1310		1620
		D : mm		680		680		680
		H : mm		210		270		270
		W : inch		51-9/16		51-9/16		63-3/4
		D : inch		26-3/4		26-3/4		26-3/4
		H : inch		8-1/4		10-5/8		10-5/8
Weight	kg		34 [36]		37 [39.5]		43 [46]	45 [48]
	lbs		75 [79]		82 [87]		95 [101]	99 [106]
Unit drain pipe I.D.	mm		26					
	inch		1					
Outdoor unit	Air flow	CMM	55		65		100	
		CFM	1,940		2,290		3,530	
	Sound level at cooling	dB(A)	49		50		50	51
	Sound level at heating	dB(A)	50		52		52	53
	External finish		Ivory Munsell 5Y 7/1					
	Dimension	W : mm		950		950		950
		D : mm		330+30		330+30		330+30
		H : mm		943		943		1350
		W : inch		37-3/8		37-3/8		37-3/8
		D : inch		13 + 1-3/16		13 + 1-3/16		13 + 1-3/16
		H : inch		37-1/8		37-1/8		53-1/8
Weight	kg		93		94		131	
	lbs		205		207		289	
Refrigerant pipe size	Gas side O.D.	mm	15.88		15.88		15.88	
		inch	5/8		5/8		5/8	
	Liquid side O.D.	mm	9.52		9.52		9.52	
		inch	3/8		3/8		3/8	
Refrigerant pipe length	Height difference	m	Max. 50		Max. 50		Max. 50	
	Length	m	Max. 50		Max. 50		Max. 50	

NOTE: 1. Rating conditions (ISO T1)

Cooling Indoor : D.B. 27°C (80°F) W.B. 19°C (66°F) Outdoor : D.B. 35°C (95°F) W.B. 24°C (75°F)
 Heating Indoor : D.B. 20°C (68°F) Outdoor : D.B. 7°C (45°F) W.B. 6°C (43°F)
 Refrigerant piping length (one way) : 5m (16ft.)

2. Guaranteed operating range

		Indoor		Outdoor	
Cooling	Upper limit	D.B. 35°C, W.B. 22.5°C		D.B. 46°C	
	Lower limit	D.B. 19°C, W.B. 15°C		D.B. -5°C *	
Heating	Upper limit	D.B. 28°C		D.B. 21°C, W.B. 15°C	
	Lower limit	D.B. 17°C		D.B. -11°C, W.B. -12°C	

3. Guaranteed voltage

198~264V, 50Hz : Single phase
 342~457V, 50Hz : 3 phase

4. Above data are based on the indicated voltage

Indoor unit Single phase 230V 50Hz
 Outdoor unit Single phase 230V 50Hz
 / 3 phase 400V 50Hz

* If optional Air protect guide installed. D.B.-15°C

Model name	Indoor unit		PCA-RP71GA		PCA-RP100GA		PCA-RP125GA	PCA-RP140GA
	Outdoor unit		PU-P71VHA	PU-P71YHA	PU-P100VHA	PU-P100YHA	PU-P125YHA	PU-P140YHA
Cooling	Capacity	Btu/h	25,900		33,400		42,000	48,500
		kW	7.6		9.8		12.3	14.2
	Total input	kW	2.84		3.55		4.52	5.44
	EER		2.68		2.76		2.72	2.61
	Energy label class		D		D		D	D
	SHF		0.74		0.75		0.77	0.75
Heating	Capacity	Btu/h	-		-		-	-
		kW	-		-		-	-
	Total input	kW	-		-		-	-
	COP		-		-		-	-
	Energy label class		-		-		-	-
	Booster heater	kW	-		-		-	-
Power supply	Phase	ϕ	1	3	1	3	3	
	Cycle	Hz	50	50	50	50	50	
	Voltage	V	230	400	230	400	400	
	Breaker size	A	32	16	32	16	25	
Indoor unit	Air flow	CMM	14-15-16-18		20-21-23-25		27-30-32-34	
	(Low-Medium2-Medium1-High)	CFM	495-530-565-635		705-840-810-885		955-1060-1130-1200	
	External pressure	Pa	0		0		0	
	Sound level	dB(A)	37-39-41-43		40-41-43-45		41-43-45-46	42-44-46-48
	(Low-Medium2-Medium1-High)							
	External finish		White Munsell 0.70Y 8.59/0.97					
	Dimension	W : mm	1310		1310		1620	
		D : mm	680		680		680	
		H : mm	210		270		270	
		W : inch	51-9/16		51-9/16		63-3/4	
		D : inch	26-3/4		26-3/4		26-3/4	
		H : inch	8-1/4		10-5/8		10-5/8	
	Weight	kg	34		37		43	45
lbs		75		82		95	99	
Unit drain pipe I.D.	mm	26						
	inch	1						
Outdoor unit	Air flow	CMM	55		65		100	
		CFM	1,940		2,290		3,530	
	Sound level at cooling	dB(A)	49		50		50	51
	Sound level at heating	dB(A)	-		-		-	-
	External finish		Ivory Munsell 5Y 7/1					
	Dimension	W : mm	950		950		950	
		D : mm	330+30		330+30		330+30	
		H : mm	943		943		1350	
		W : inch	37-3/8		37-3/8		37-3/8	
		D : inch	13 + 1-3/16		13 + 1-3/16		13 + 1-3/16	
		H : inch	37-1/8		37-1/8		53-1/8	
	Weight	kg	93		94		131	
		lbs	205		207		289	
Refrigerant pipe size	Gas side O.D.	mm	15.88		15.88		15.88	
		inch	5/8		5/8		5/8	
	Liquid side O.D.	mm	9.52		9.52		9.52	
		inch	3/8		3/8		3/8	
Refrigerant pipe length	Height difference	m	Max. 50		Max. 50		Max. 50	
	Length	m	Max. 50		Max. 50		Max. 50	

NOTE: 1. Rating conditions (ISO T1)
Cooling Indoor : D.B. 27°C (80°F) W.B. 19°C (66°F) Outdoor : D.B. 35°C (95°F) W.B. 24°C (75°F)
Refrigerant piping length (one way) : 5m (16ft.)

2. Guaranteed operating range

Cooling		Indoor		Outdoor	
		Upper limit	D.B. 35°C, W.B. 22.5°C	D.B. 46°C	
Lower limit		D.B. 19°C, W.B. 15°C	D.B. -5°C	*	

3. Guaranteed voltage

198~264V, 50Hz : Single phase
342~457V, 50Hz : 3 phase

4. Above data are based on the indicated voltage

Indoor unit Single phase 230V 50Hz

Outdoor unit Single phase 230V 50Hz

/ 3 phase 400V 50Hz

* If optional Air protect guide installed. D.B. -15°C

Model name	Indoor unit		PCA-RP71HA		PCA-RP125HA
	Outdoor unit		PUH-P71VHA	PUH-P71YHA	PUH-P125YHA
Cooling	Capacity	Btu/h	25,600		42,000
		kW	7.5		12.3
	Total input	kW	2.79		4.55
	EER		2.69		2.70
	Energy label class		D		D
	SHF		0.74		0.77
Heating	Capacity	Btu/h	30,400		48,800
		kW	8.9		14.3
	Total input	kW	2.85		5.01
	COP		3.12		2.85
	Energy label class		D		D
	Booster heater	kW	-		-
Power supply	Phase	φ	1	3	3
	Cycle	Hz	50	50	50
	Voltage	V	230	400	400
	Breaker size	A	32	16	25
Indoor unit	Air flow	CMM	17-19		30-38
		(Low-High)	CFM	600-670	
	External pressure	Pa	0		0
	Sound level	dB(A)	34-38		44-50
	(Low-High)				
	External finish	Stainless steel			
	Dimension	W : mm	1136		1520
		D : mm	650		
		H : mm	280		
		W : inch	44-3/4		59-7/8
		D : inch	25-5/8		
		H : inch	11		
	Weight	kg	41		56
lbs		90		124	
Unit drain pipe I.D.	mm	26			
	inch	1			
Outdoor unit	Air flow	CMM	55		100
		CFM	1,940		3,530
	Sound level at cooling	dB(A)	49		50
	Sound level at heating	dB(A)	50		52
	External finish	Ivory Munsell 5Y 7/1			
	Dimension	W : mm	950		950
		D : mm	330+30		330+30
		H : mm	943		1350
		W : inch	37-3/8		37-3/8
		D : inch	13 + 1-3/16		13 + 1-3/16
H : inch		37-1/8		53-1/8	
Weight	kg	93		131	
	lbs	205		289	
Refrigerant pipe size	Gas side O.D.	mm	15.88		15.88
		inch	5/8		5/8
	Liquid side O.D.	mm	9.52		9.52
		inch	3/8		3/8
Refrigerant pipe length	Height difference	m	Max. 50		Max. 50
	Length	m	Max. 50		Max. 50

NOTE: 1. Rating conditions (ISO T1)
Cooling Indoor : D.B. 27°C (80°F) W.B. 19°C (66°F) Outdoor : D.B. 35°C (95°F) W.B. 24°C (75°F)
Heating Indoor : D.B. 20°C (68°F) Outdoor : D.B. 7°C (45°F) W.B. 6°C (43°F)
Refrigerant piping length (one way) : 5m (16ft.)

2. Guaranteed operating range

		Indoor	Outdoor
Cooling	Upper limit	D.B. 35°C, W.B. 22.5°C	D.B. 46°C
	Lower limit	D.B. 19°C, W.B. 15°C	D.B. -5°C
Heating	Upper limit	D.B. 28°C	D.B. 21°C, W.B. 15°C
	Lower limit	D.B. 17°C	D.B. -11°C, W.B. -12°C

3. Guaranteed voltage
198~264V, 50Hz : Single phase
342~457V, 50Hz : 3 phase

4. Above data are based on the indicated voltage
Indoor unit Single phase 230V 50Hz
Outdoor unit Single phase 230V 50Hz
/ 3 phase 400V 50Hz

* If optional Air protect guide installed. D.B.-15°C

Model name	Indoor unit		PCA-RP71HA		PCA-RP125HA
	Outdoor unit		PU-P71VHA	PU-P71YHA	PU-P125YHA
Cooling	Capacity	Btu/h	25,600		42,000
		kW	7.5		12.3
	Total input	kW	2.79		4.55
	EER		2.69		2.70
	Energy label class		D		D
	SHF		0.74		0.77
Heating	Capacity	Btu/h	-		-
		kW	-		-
	Total input	kW	-		-
	COP		-		-
	Energy label class		-		-
	Booster heater	kW	-		-
Power supply	Phase	φ	1	3	3
	Cycle	Hz	50	50	50
	Voltage	V	230	400	400
	Breaker size	A	32	16	25
Indoor unit	Air flow (Low-High)	CMM	17-19		30-38
		CFM	600-670		1060-1350
	External pressure	Pa	0		0
	Sound level (Low-High)	dB(A)	34-38		44-50
	External finish		Stainless steel		
	Dimension	W : mm	1136		1520
		D : mm	650		
		H : mm	280		
		W : inch	44-3/4		59-7/8
		D : inch	25-5/8		
		H : inch	11		
	Weight	kg	41		56
		lbs	90		124
	Unit drain pipe I.D.	mm	26		
inch		1			
Outdoor unit	Air flow	CMM	55		100
		CFM	1,940		3,530
	Sound level at cooling	dB(A)	49		50
	Sound level at heating	dB(A)	-		-
	External finish		Ivory Munsell 5Y 7/1		
	Dimension	W : mm	950		950
		D : mm	330+30		330+30
		H : mm	943		1350
		W : inch	37-3/8		37-3/8
		D : inch	13 + 1-3/16		13 + 1-3/16
H : inch		37-1/8		53-1/8	
Weight	kg	93		131	
	lbs	205		289	
Refrigerant pipe size	Gas side O.D.	mm	15.88		15.88
		inch	5/8		5/8
	Liquid side O.D.	mm	9.52		9.52
		inch	3/8		3/8
Refrigerant pipe length	Height difference	m	Max. 50		Max. 50
	Length	m	Max. 50		Max. 50

NOTE: 1. Rating conditions (ISO T1)
Cooling Indoor : D.B. 27°C (80°F) W.B. 19°C (66°F) Outdoor : D.B. 35°C (95°F) W.B. 24°C (75°F)
Refrigerant piping length (one way) : 5m (16ft.)

2. Guaranteed operating range

		Indoor	Outdoor
Cooling	Upper limit	D.B. 35°C, W.B. 22.5°C	D.B. 46°C
	Lower limit	D.B. 19°C, W.B. 15°C	D.B. -5°C *

3. Guaranteed voltage

198~264V, 50Hz : Single phase
342~457V, 50Hz : 3 phase

4. Above data are based on the indicated voltage

Indoor unit Single phase 230V 50Hz

Outdoor unit Single phase 230V 50Hz

/ 3 phase 400V 50Hz

* If optional Air protect guide installed. D.B.-15°C

2-4. WALL-MOUNTED TYPE

Model name	Indoor unit		PKA-RP71FAL		PKA-RP100FAL	
	Outdoor unit		PUH-P71VHA	PUH-P71YHA	PUH-P100VHA	PUH-P100YHA
Cooling	Capacity	Btu/h	27,000		33,400	
		kW	7.9		9.8	
	Total input	kW	2.84		3.50	
	EER		2.78		2.80	
	Energy label class		D		D	
	SHF		0.77		0.77	
Heating	Capacity	Btu/h	30,000 [36.600]		39,200 [46.800]	
		kW	8.8 [10.73]		11.5 [13.71]	
	Total input	kW	3.08 [5.01]		3.47 [5.68]	
	COP		2.86		3.31	
	Energy label class		D		D	
	Booster heater	kW	[2.1]		[2.4]	
Power supply	Phase	ϕ	1	3	1	3
	Cycle	Hz	50	50	50	50
	Voltage	V	230	400	230	400
	Breaker size	A	32	16	32	16
Indoor unit	Air flow (Low-High)	CMM	15-20		22-28	
		CFM	530-705		780-990	
	External pressure	Pa	0			
	Sound level (Low-High)	dB(A)	39-45		41-46	
	External finish		Munsell 3.4Y 7.7/0.8			
	Dimension	W : mm	1400		1680	
		D : mm	235			
		H : mm	340			
		W : inch	55-1/8		66-1/8	
		D : inch	9-1/4			
		H : inch	13-3/8			
	Weight	kg	24 [26]		28 [30]	
		lbs	53 [57]		62 [66]	
Unit drain pipe O.D.	mm	20				
	inch	13/16				
Outdoor unit	Air flow	CMM	55		65	
		CFM	1,940		2,290	
	Sound level at cooling	dB(A)	49		50	
	Sound level at heating	dB(A)	50		52	
	External finish		Ivory Munsell 5Y 7/1			
	Dimension	W : mm	950		950	
		D : mm	330+30		330+30	
		H : mm	943			
		W : inch	37-3/8		37-3/8	
		D : inch	13 + 1-3/16		13 + 1-3/16	
H : inch		37-1/8		37-1/8		
Weight	kg	93		94		
	lbs	205		207		
Refrigerant pipe size	Gas side O.D.	mm	15.88		15.88	
		inch	5/8		5/8	
	Liquid side O.D.	mm	9.52		9.52	
		inch	3/8		3/8	
Refrigerant pipe length	Height difference	m	Max. 50		Max. 50	
	Length	m	Max. 50		Max. 50	

NOTE: 1. Rating conditions (ISO T1)
Cooling Indoor : D.B. 27°C (80°F) W.B. 19°C (66°F) Outdoor : D.B. 35°C (95°F) W.B. 24°C (75°F)
Refrigerant piping length (one way) : 5m (16ft.)

2. Guaranteed operating range

Cooling		Indoor		Outdoor
		Upper limit	D.B. 35°C, W.B. 22.5°C	D.B. 46°C
Lower limit	D.B. 19°C, W.B. 15°C	D.B. -5°C	*	

3. Guaranteed voltage

198-264V, 50Hz : Single phase
342-457V, 50Hz : 3 phase

4. Above data are based on the indicated voltage
Indoor unit Single phase 230V 50Hz
Outdoor unit Single phase 230V 50Hz
/ 3 phase 400V 50Hz

* If optional Air protect guide installed. D.B.-15°C

Model name	Indoor unit		PKA-RP71FAL		PKA-RP100FAL	
	Outdoor unit		PU-P71VHA	PU-P71YHA	PU-P100VHA	PU-P100YHA
Cooling	Capacity	Btu/h	27,000		33,400	
		kW	7.9		9.8	
	Total input	kW	2.84		3.50	
	EER		2.78		2.80	
	Energy label class		D		D	
	SHF		0.77		0.77	
Heating	Capacity	Btu/h	-		-	
		kW	-		-	
	Total input	kW	-		-	
	COP		-		-	
	Energy label class		-		-	
	Booster heater	kW	-		-	
Power supply	Phase	φ	1	3	1	3
	Cycle	Hz	50	50	50	50
	Voltage	V	230	400	230	400
	Breaker size	A	32	16	32	16
Indoor unit	Air flow (Low-High)	CMM	15-20		22-28	
		CFM	530-705		780-990	
	External pressure	Pa	0			
	Sound level (Low-High)	dB(A)	39-45		41-46	
	External finish		Munsell 3.4Y 7.7/0.8			
	Dimension	W : mm	1400	1680		
		D : mm	235			
		H : mm	340			
		W : inch	55-1/8	66-1/8		
		D : inch	9-1/4			
		H : inch	13-3/8			
	Weight	kg	24	28		
lbs		53	62			
Unit drain pipe O.D.	mm	20				
	inch	13/16				
Outdoor unit	Air flow	CMM	55		65	
		CFM	1,940		2,290	
	Sound level at cooling	dB(A)	49		50	
	Sound level at heating	dB(A)	-		-	
	External finish		Ivory Munsell 5Y 7/1			
	Dimension	W : mm	950	950		
		D : mm	330+30	330+30		
		H : mm	943	943		
		W : inch	37-3/8	37-3/8		
		D : inch	13 + 1-3/16	13 + 1-3/16		
H : inch		37-1/8	37-1/8			
Weight	kg	93	94			
	lbs	205	207			
Refrigerant pipe size	Gas side O.D.	mm	15.88		15.88	
		inch	5/8		5/8	
	Liquid side O.D.	mm	9.52		9.52	
		inch	3/8		3/8	
Refrigerant pipe length	Height difference	m	Max. 50		Max. 50	
	Length	m	Max. 50		Max. 50	

- NOTE:**
- Rating conditions (ISO T1)
Cooling Indoor : D.B. 27°C (80°F) W.B. 19°C (66°F) Outdoor : D.B. 35°C (95°F) W.B. 24°C (75°F)
Refrigerant piping length (one way) : 5m (16ft.)
 - Guaranteed operating range

		Indoor	Outdoor
Cooling	Upper limit	D.B. 35°C, W.B. 22.5°C	D.B. 46°C
	Lower limit	D.B. 19°C, W.B. 15°C	D.B. -5°C *

- Guaranteed voltage
198~264V, 50Hz : Single phase
342~457V, 50Hz : 3 phase
- Above data are based on the indicated voltage
Indoor unit Single phase 230V 50Hz
Outdoor unit Single phase 230V 50Hz
/ 3 phase 400V 50Hz
- * If optional Air protect guide installed. D.B.-15°C

2-5. FLOOR STANDING TYPE

Model name	Indoor unit		PSA-RP71GA		PSA-RP100GA		PSA-RP125GA	PSA-RP140GA
	Outdoor unit		PUH-P71VHA	PUH-P71YHA	PUH-P100VHA	PUH-P100YHA	PUH-P125YHA	PUH-P140YHA
Cooling	Capacity	Btu/h	25,900		34,100		42,000	47,800
		kW	7.6		10.0		12.3	14.0
	Total input	kW	2.88		3.66		4.54	5.53
	EER		2.64		2.73		2.71	2.53
	Energy label class		D		D		D	E
	SHF		0.73		0.81		0.75	0.74
Heating	Capacity	Btu/h	30,700 [37,300]		39,200 [47,700]		48,800 [58,200]	58,000 [67,400]
		kW	9.0 [10.93]		11.5 [13.98]		14.3 [17.06]	17.0 [19.76]
	Total input	kW	2.85 [4.78]		3.42 [5.90]		4.41 [7.17]	5.47 [8.23]
	COP		3.16		3.36		3.24	3.11
	Energy label class		D		C		C	D
	Booster heater		kW	[2.1]		[2.7]		[3.0]
Power supply	Phase	φ	1	3	1	3	3	
	Cycle	Hz	50	50	50	50	50	
	Voltage	V	230	400	230	400	400	
	Breaker size	A	32	16	32	16	25	
Indoor unit	Air flow (Low-High)	CMM	15-18		24-31		26-33	27-35
		CFM	530-635		850-1060		920-1165	955-1240
	External pressure	Pa	0		0		0	0
	Sound level (Low-High)	dB(A)	40-45		44-49		46-51	47-52
	External finish		White Munsell 0.70Y 8.59/0.97		White Munsell 0.70Y 8.59/0.97		White Munsell 0.70Y 8.59/0.97	
	Dimension	W : mm	600		600		600	
		D : mm	270		350		350	
		H : mm	1900		1900		1900	
		W : inch	23-5/8		23-5/8		23-5/8	
		D : inch	10-5/8		13-3/4		13-3/4	
		H : inch	74-13/16		74-13/16		74-13/16	
	Weight	kg	43 [45]		51 [53]		51 [53]	53 [55]
		lbs	95 [99]		112 [117]		112 [117]	117 [121]
Unit drain pipe O.D.	mm	20		20		20		
	inch	13/16		13/16		13/16		
Outdoor unit	Air flow	CMM	55		65		100	
		CFM	1,940		2,290		3,530	
	Sound level at cooling	dB(A)	49		50		50	51
	Sound level at heating	dB(A)	50		52		52	53
	External finish		Ivory Munsell 5Y 7/1					
	Dimension	W : mm	950		950		950	
		D : mm	330+30		330+30		330+30	
		H : mm	943		943		1350	
		W : inch	37-3/8		37-3/8		37-3/8	
		D : inch	13 + 1-3/16		13 + 1-3/16		13 + 1-3/16	
		H : inch	37-1/8		37-1/8		53-1/8	
	Weight	kg	93		94		131	
		lbs	205		207		289	
Refrigerant pipe size	Gas side O.D.	mm	15.88		15.88		15.88	
		inch	5/8		5/8		5/8	
	Liquid side O.D.	mm	9.52		9.52		9.52	
		inch	3/8		3/8		3/8	
Refrigerant pipe length	Height difference	m	Max. 50		Max. 50		Max. 50	
	Length	m	Max. 50		Max. 50		Max. 50	

NOTE: 1. Rating conditions (ISO T1)
Cooling Indoor : D.B. 27°C (80°F) W.B. 19°C (66°F) Outdoor : D.B. 35°C (95°F) W.B. 24°C (75°F)
Refrigerant piping length (one way) : 5m (16ft.)

2. Guaranteed operating range

		Indoor	Outdoor
Cooling	Upper limit	D.B. 35°C, W.B. 22.5°C	D.B. 46°C
	Lower limit	D.B. 19°C, W.B. 15°C	D.B. -5°C *

3. Guaranteed voltage

198~264V, 50Hz : Single phase
342~457V, 50Hz : 3 phase

4. Above data are based on the indicated voltage

Indoor unit Single phase 230V 50Hz
Outdoor unit Single phase 230V 50Hz
/ 3 phase 400V 50Hz

* If optional Air protect guide installed. D.B. -15°C



Model name	Indoor unit		PSA-RP71GA		PSA-RP100GA		PSA-RP125GA	PSA-RP140GA	
	Outdoor unit		PU-P71VHA	PU-P71YHA	PU-P100VHA	PU-P100YHA	PU-P125YHA	PU-P140YHA	
Cooling	Capacity	Btu/h	25,900		34,100		42,000	47,800	
		kW	7.6		10.0		12.3	14.0	
	Total input	kW	2.88		3.66		4.54	5.53	
	EER		2.64		2.73		2.71	2.53	
	Energy label class		D		D		D	E	
	SHF		0.73		0.81		0.75	0.74	
Heating	Capacity	Btu/h	-		-		-	-	
		kW	-		-		-	-	
	Total input	kW	-		-		-	-	
	COP		-		-		-	-	
	Energy label class		-		-		-	-	
	Booster heater	kW	-		-		-	-	
Power supply	Phase	φ	1	3	1	3	3		
	Cycle	Hz	50	50	50	50	50		
	Voltage	V	230	400	230	400	400		
	Breaker size	A	32	16	32	16	25		
Indoor unit	Air flow	CMM	15-18		24-31		26-33	27-35	
		(Low-High)	530-635		850-1060		920-1165	955-1240	
	External pressure		Pa		0				
	Sound level (Low-High)		dB(A)		40-45		44-49	46-51	47-52
	External finish		White Munsell 0.70Y 8.59/0.97		White Munsell 0.70Y 8.59/0.97		White Munsell 0.70Y 8.59/0.97		
	Dimension	W : mm	600		600		600		
			D : mm	270		350		350	
		H : mm		1900		1900		1900	
			W : inch	23-5/8		23-5/8		23-5/8	
		D : inch		10-5/8		13-3/4		13-3/4	
			H : inch	74-13/16		74-13/16		74-13/16	
	Weight	kg		43		51		51	53
lbs		95		112		112	117		
Unit drain pipe O.D.	mm	20		20		20			
	inch	13/16		13/16		13/16			
Outdoor unit	Air flow	CMM	55		65		100		
		CFM	1,940		2,290		3,530		
	Sound level at cooling	dB(A)	49		50		50	51	
	Sound level at heating	dB(A)	-		-		-	-	
	External finish				Ivory Munsell 5Y 7/1				
	Dimension	W : mm	950		950		950		
			D : mm	330+30		330+30		330+30	
		H : mm		943		943		1350	
			W : inch	37-3/8		37-3/8		37-3/8	
		D : inch		13 + 1-3/16		13 + 1-3/16		13 + 1-3/16	
			H : inch	37-1/8		37-1/8		53-1/8	
	Weight	kg		93		94		131	
lbs		205		207		289			
Refrigerant pipe size	Gas side O.D.	mm	15.88		15.88		15.88		
		inch	5/8		5/8		5/8		
	Liquid side O.D.	mm	9.52		9.52		9.52		
		inch	3/8		3/8		3/8		
Refrigerant pipe length	Height difference	m	Max. 50		Max. 50		Max. 50		
	Length	m	Max. 50		Max. 50		Max. 50		

NOTE: 1. Rating conditions (ISO T1)
Cooling Indoor : D.B. 27°C (80°F) W.B. 19°C (66°F) Outdoor : D.B. 35°C (95°F) W.B. 24°C (75°F)
Refrigerant piping length (one way) : 5m (16ft.)

2. Guaranteed operating range

Cooling		Indoor		Outdoor		
		Upper limit	D.B. 35°C, W.B. 22.5°C	D.B. 46°C		
		Lower limit	D.B. 19°C, W.B. 15°C	D.B. -5°C	*	

3. Guaranteed voltage

198~264V, 50Hz : Single phase
342~457V, 50Hz : 3 phase

4. Above data are based on the indicated voltage

Indoor unit Single phase 230V 50Hz

Outdoor unit Single phase 230V 50Hz

/ 3 phase 400V 50Hz

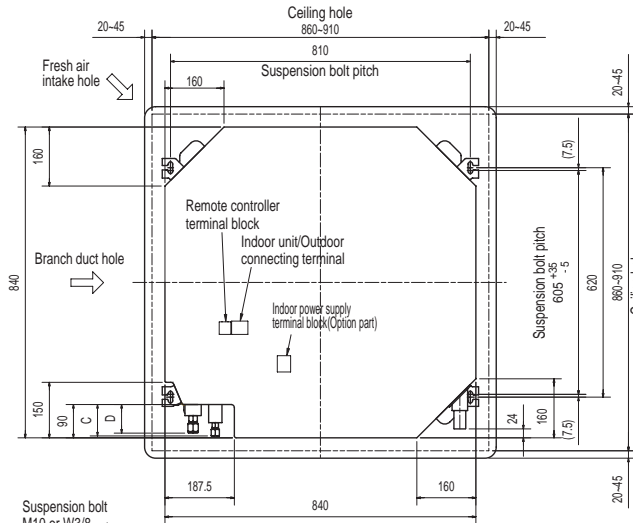
* If optional Air protect guide installed. D.B. -15°C

3

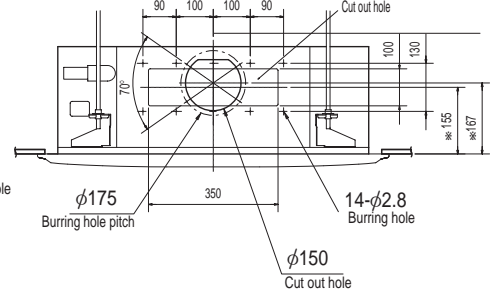
OUTLINES AND DIMENSIONS

PLA-RP35BA PLA-RP50BA PLA-RP60BA PLA-RP71BA
 PLA-RP100BA PLARP125BA PLA-RP140BA

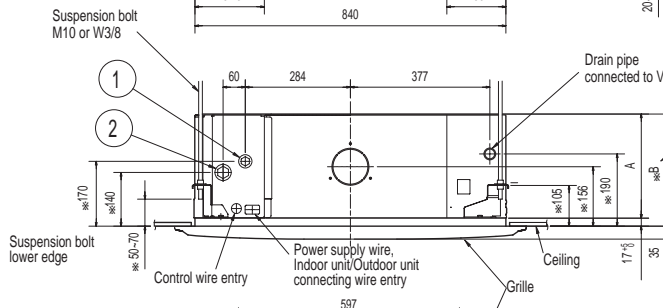
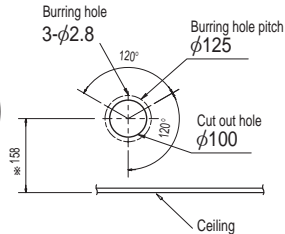
Unit : mm



Detail connecting of Branch duct(Both aspects)



Detail drawing of fresh air intake hole

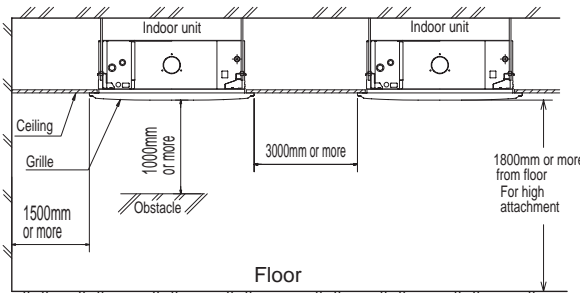
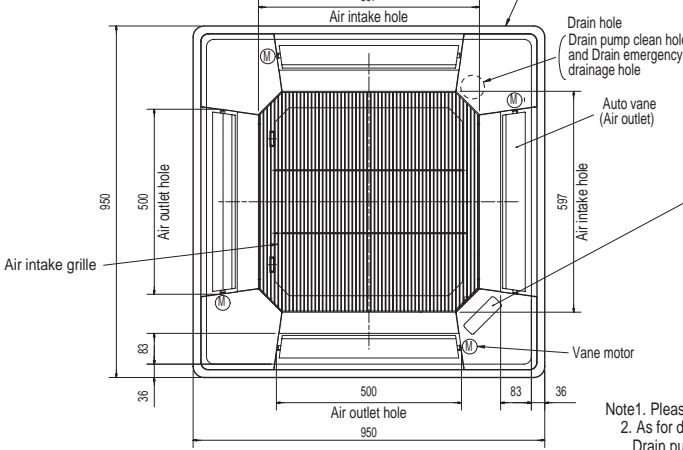
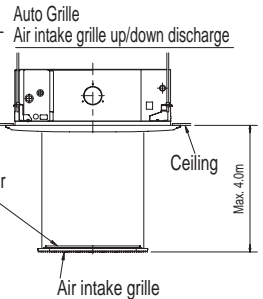
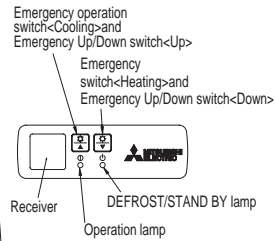


(Connected the attached flexible pipe or socket.)
 Keep approximately 10 to 15mm space between unit ceiling and ceiling slab.

In case of standard grille : PLP-6BA / PLP-6BAMD



In case of Auto-Grille : PLP-6BAJ
 In case of wireless remote controller : PLP-6BALM

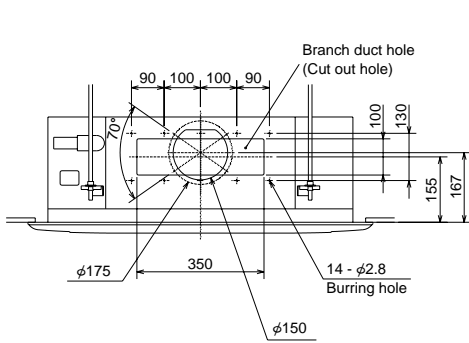


- Note1. Please choose the Grille from a standard grille, Auto-Grille.
- As for drain pipe, please use VP-25(O.D. φ32 PVC TUBE).
 Drain pump inclusion.
 Raise is max 850mm from the ceiling.
 - As for suspension bolt, please use M10 or W3/8.
 (Procured at local site)
 - Electrical box may be removed for the service purpose.
 Make sure to slack the electrical wire little bit for control/ power wires connection.
 - The height of the indoor unit is able to be adjusted with the grille attached.
 - For the installation of the optional high efficiency filter or optional multi-functional
 - Requires E or more space between transom and ceiling for the installation.
 - Add 135 mm to the dimensions * marked on the figure.
 - The optional high efficiency filter becomes optional multi-functional casement and concomitant use.
 - When installing the branch ducts, be sure to insulate adequately.
 Otherwise condensation and dripping may occur.
 (It becomes the cause of dew drops/Wear dew.)
 - As for necessary installation/service space, please refer to the under at figure.

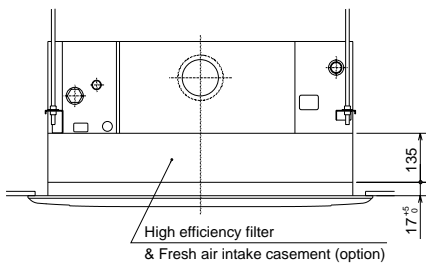
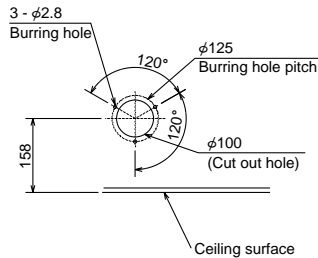
Models	①	②	A	B	C	D	E
PLA-RP35/50BA	Refrigerant pipe ...φ6.35 Flared connection ...1/4F	Refrigerant pipe ...φ12.7 Flared connection ...1/2F			80		
PLA-RP60BA	Refrigerant pipe φ6.35 / φ9.52 Flared connection 1/4F / 3/8F (compatible)	Refrigerant pipe ...φ15.88 Flared connection ...5/8F	241	258	87	74	400
PLA-RP71BA	Refrigerant pipe ...φ9.52 Flared connection ...3/8F				85	77	
PLA-RP100,125,140BA			281	298			440

PLA-RP35AA PLA-RP50AA PLA-RP60AA PLA-RP71AA
PLA-RP100AA2 PLA-RP125AA2 PLA-RP140AA2

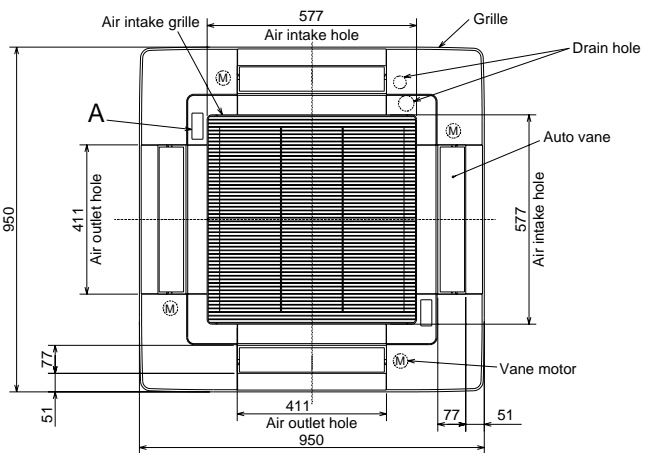
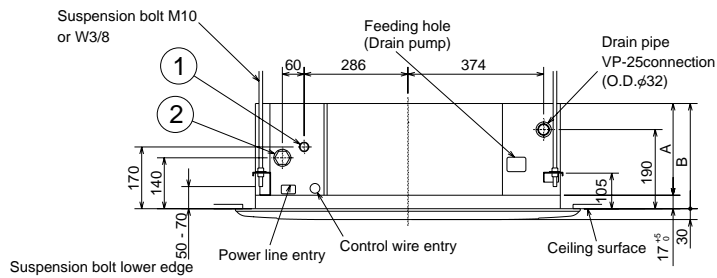
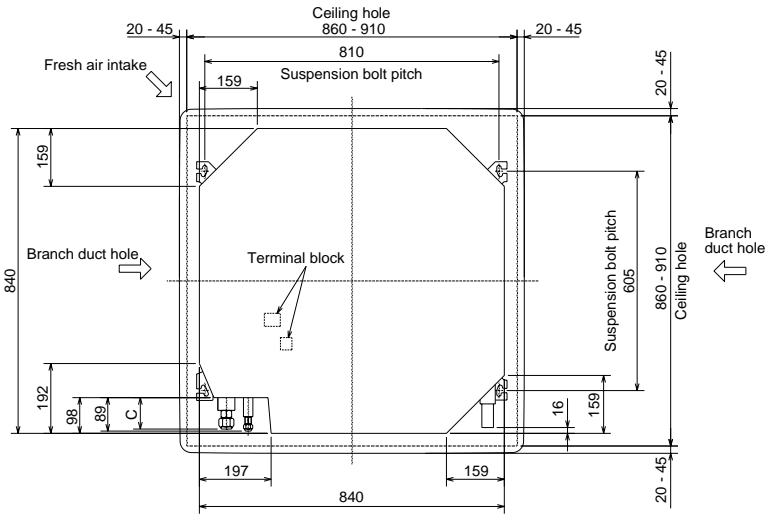
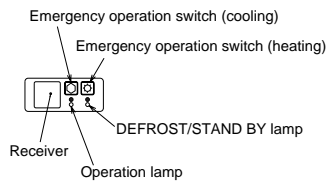
Unit : mm



Detail drawing of fresh air intake



A (WIRELESS PANEL)



Use the current nuts meeting the pipe size of the outdoor unit.

Available pipe size

	RP35, 50	RP60	RP71	RP100, 125, 140	P35,50,60,71	P100, 125, 140
① LIQUID SIDE	φ6.35 ○	φ6.35	—	—	—	—
	φ9.52	φ9.52 ○	φ9.52 ○	φ9.52 ○	φ9.52 ○	φ9.52 ○
② GAS SIDE	φ12.7 ○	—	—	—	—	—
	φ15.88	φ15.88 ○	φ15.88 ○	φ15.88 ○	φ15.88 ○	—
	—	—	—	φ19.05	—	φ19.05 ○

○ Factory flare nut attachment to the heat-exchanger.

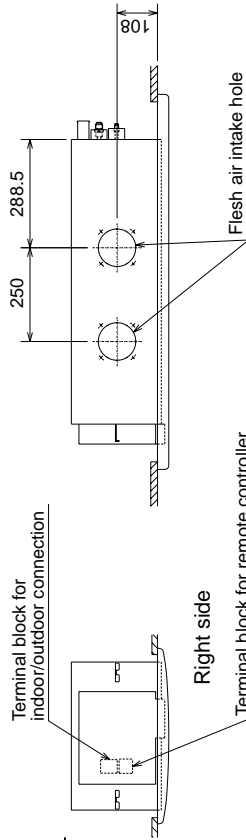
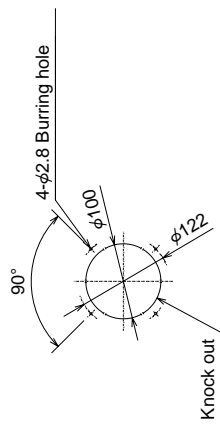
Models	A	B	C
PLA-RP35,50AA PLA-RP60,71AA	241	258	80
PLA-RP100,125,140AA2	281	298	84

PMH-P25BA PMH-P35BA PMH-P50BA

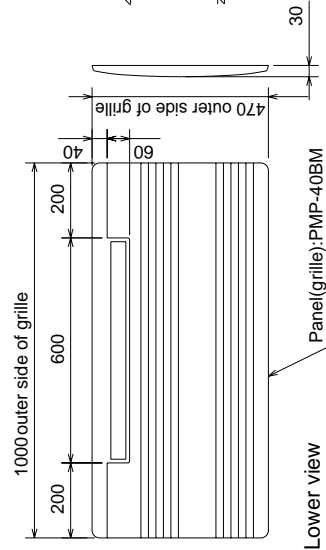
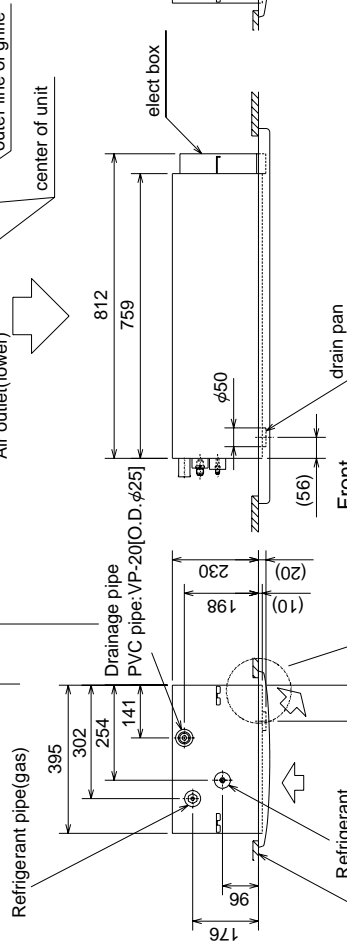
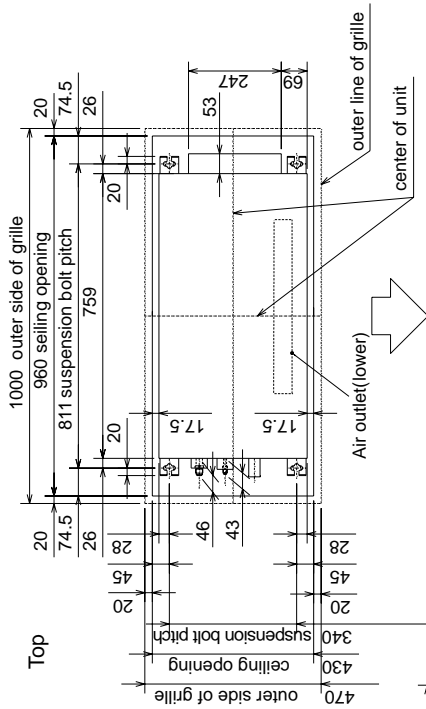
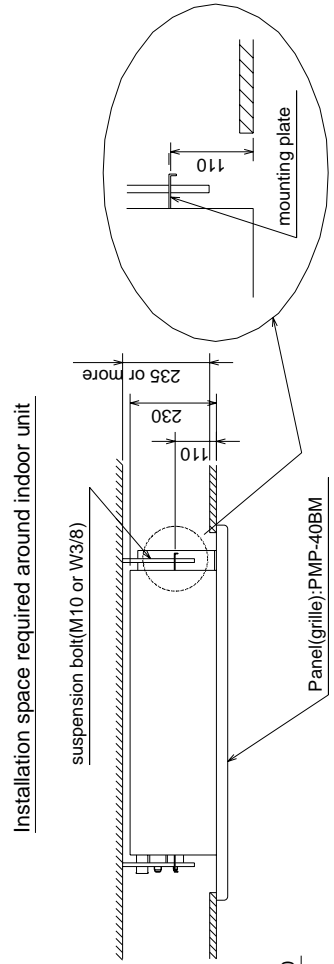
Unit : mm

	PMH-P25BA	PMH-P35BA PMH-P50BA
pipe cover	O.D. ϕ 35	
Refrigerant piping	O.D. ϕ 6.35(1/4")	O.D. ϕ 9.52(3/8")
Gas pipe	O.D. ϕ 12.7(1/2")	O.D. ϕ 15.88(5/8")
Drainage piping	PVC pipe: VP-20 [O.D. ϕ 25(1")]	

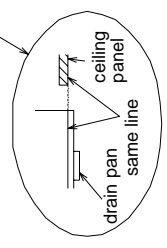
Details of fresh air intake hole



Installation space required around indoor unit



Left side



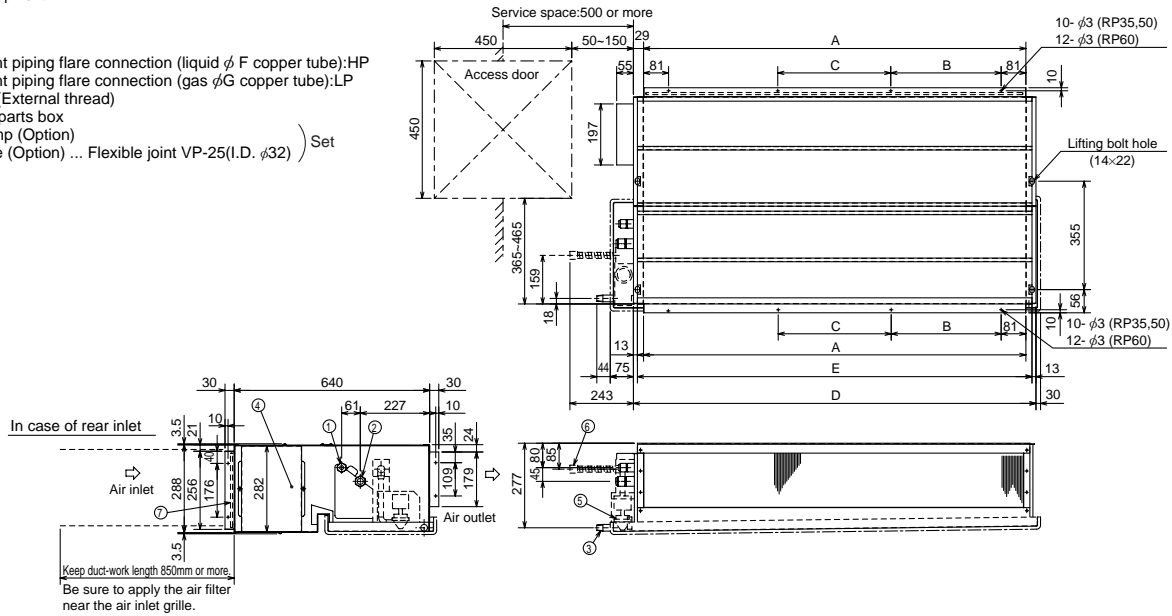
PEAD-RP35EA2
PEAD-RP50EA
PEAD-RP60EA

Unit : mm

Model	A	B	C	D	E	F	G
RP35,50	772	305	-	830	804	R410A Outdoor unit : 6.35 * R407C Outdoor unit : 9.52	R410A Outdoor unit : 12.7 * R407C Outdoor unit : 15.88
RP60	1012	280	290	1070	1044	Outdoor unit (SUZ) : 6.35 R407C Outdoor unit : 9.52 *	15.88

* Setting at shipment

- ① Refrigerant piping flare connection (liquid ϕ F copper tube):HP
- ② Refrigerant piping flare connection (gas ϕ G copper tube):LP
- ③ Drain R1(External thread)
- ④ Electrical parts box
- ⑤ Drain Pump (Option)
- ⑥ Drain Pipe (Option) ... Flexible joint VP-25(I.D. ϕ 32)
- ⑦ Filter

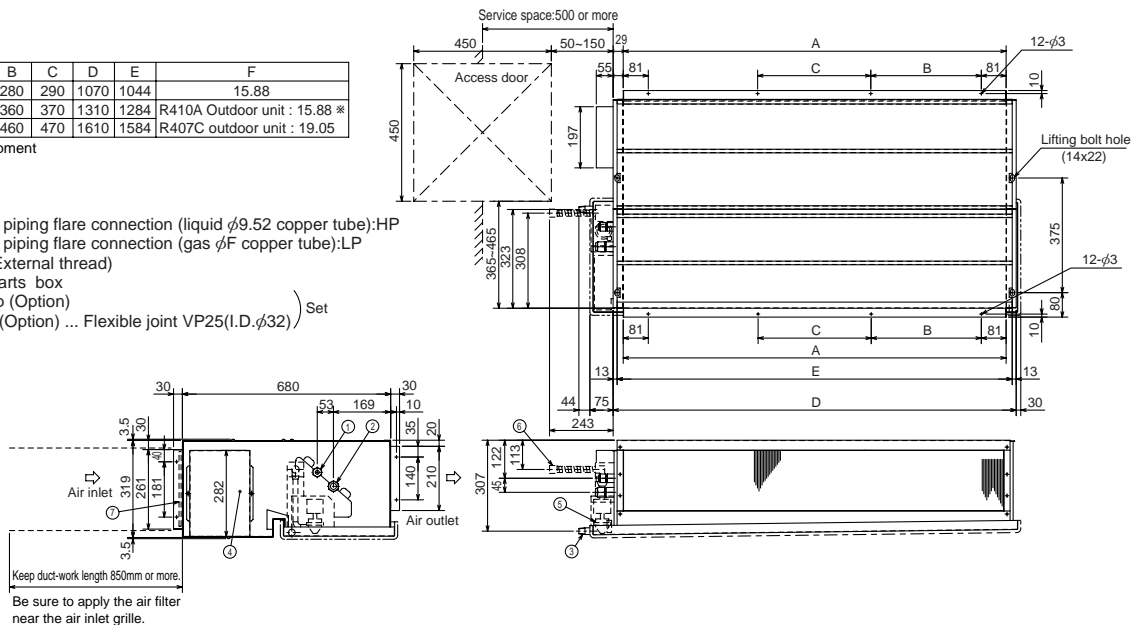


PEAD-RP71EA
PEAD-RP100EA2
PEAD-RP125EA
PEAD-RP140EA

Model	A	B	C	D	E	F
RP71	1012	280	290	1070	1044	15.88
RP100,125	1252	360	370	1310	1284	R410A Outdoor unit : 15.88 * R407C outdoor unit : 19.05
RP140	1552	460	470	1610	1584	

* Setting at shipment

- ① Refrigerant piping flare connection (liquid ϕ 9.52 copper tube):HP
- ② Refrigerant piping flare connection (gas ϕ F copper tube):LP
- ③ Drain R1 (External thread)
- ④ Electrical parts box
- ⑤ Drain Pump (Option)
- ⑥ Drain Pipe (Option) ... Flexible joint VP25(I.D. ϕ 32)
- ⑦ Filter

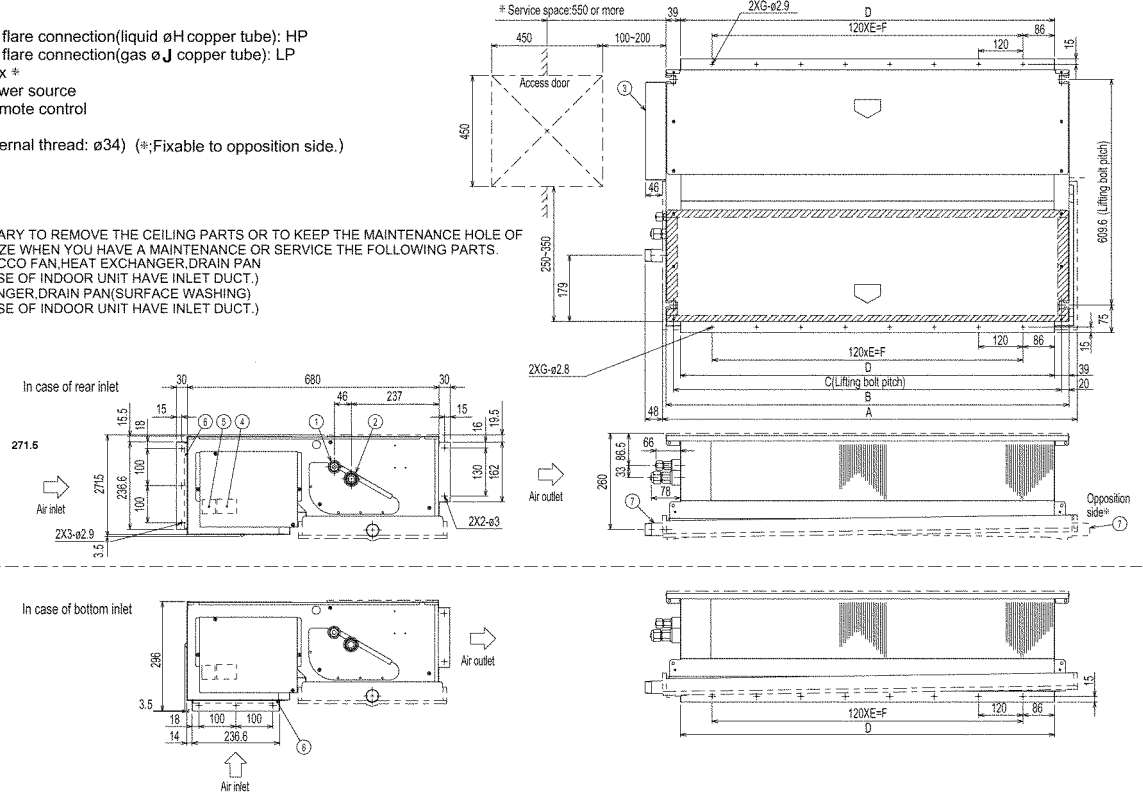


PEAD-RP60GA
PEAD-RP71GA
PEAD-RP100GA

Unit : mm

- ① Refrigerant piping flare connection(liquid øH copper tube): HP
- ② Refrigerant piping flare connection(gas øJ copper tube): LP
- ③ Electrical parts box *
- ④ Terminal bed : Power source
- ⑤ Terminal bed : Remote control
- ⑥ Filter
- ⑦ Drain pan (R1 External thread: ø34) (*:Fixable to opposition side.)

* NOTE: IT IS NECESSARY TO REMOVE THE CEILING PARTS OR TO KEEP THE MAINTENANCE HOLE OF OVER UNIT SIZE WHEN YOU HAVE A MAINTENANCE OR SERVICE THE FOLLOWING PARTS.
 SERVICE: MOTOR,SIROCCO FAN,HEAT EXCHANGER, DRAIN PAN
 (EXCHANGE) FILTER(IN CASE OF INDOOR UNIT HAVE INLET DUCT.)
 MAINTENANCE: HEAT EXCHANGER, DRAIN PAN(SURFACE WASHING)
 (WASHING) FILTER(IN CASE OF INDOOR UNIT HAVE INLET DUCT.)

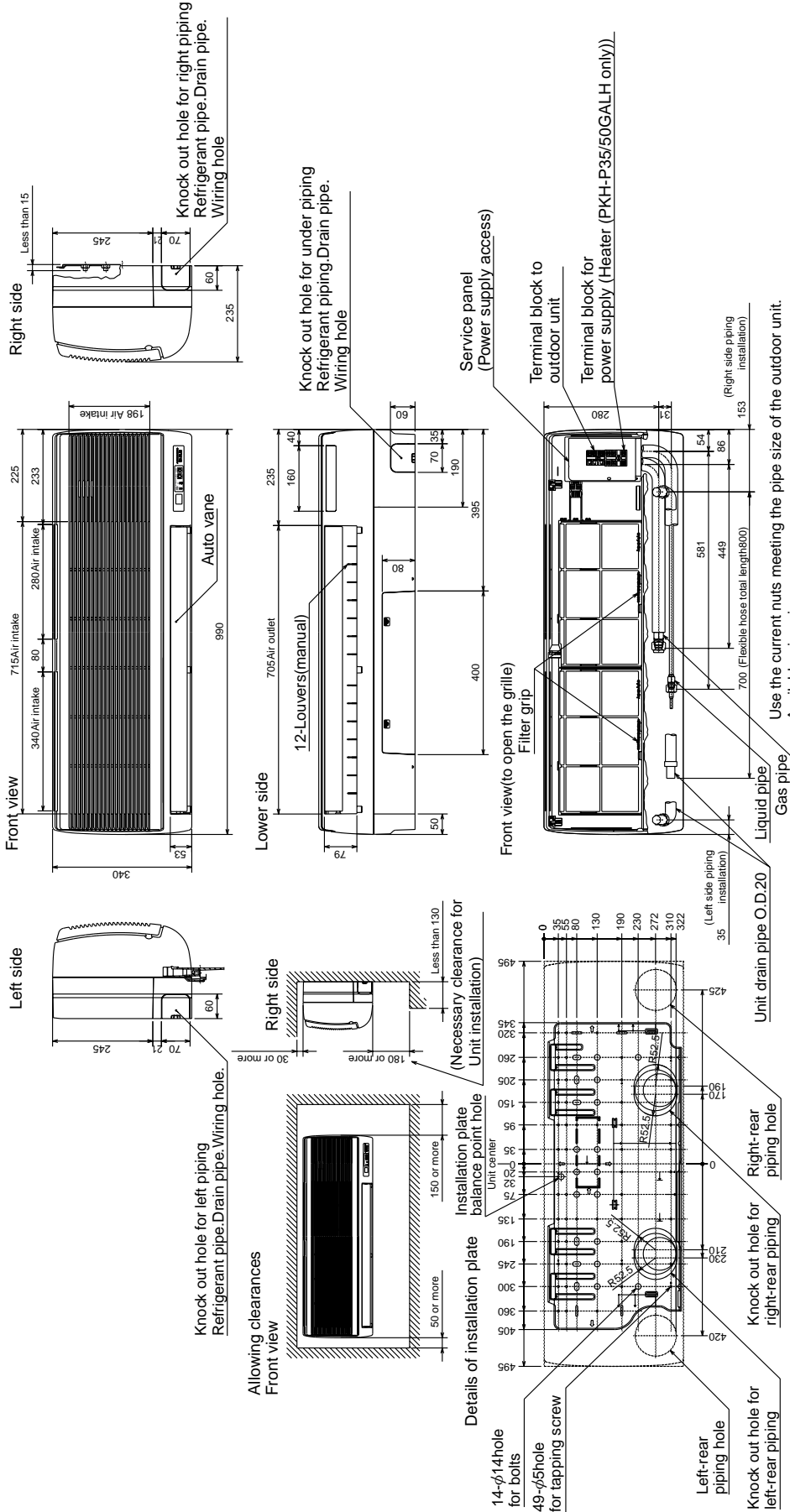


Model	A	B	C	D	E	F	G	H	J
RP60	1125	1090	1050	1012	7	840	8	Outdoor unit(SUZ) : 6.35 Other outdoor unit : 9.52 *	15.88
RP71	1125	1090	1050	1012	7	840	8	9.52	15.88
RP100	1365	1330	1290	1252	9	1080	10	9.52	R410A Outdoor unit : 15.88 * R407C Outdoor unit : 19.05

* Setting at shipment

**PKA-RP35GAL
PKA-RP50GAL**

Unit : mm



	RP35,50	P35,50
LIQUID SIDE	φ6.35○	—
	φ9.52	φ9.52 ○
GAS SIDE	φ12.7 ○	—
	φ15.88	φ15.88 ○

Use the current nuts meeting the pipe size of the outdoor unit.
Available pipe size

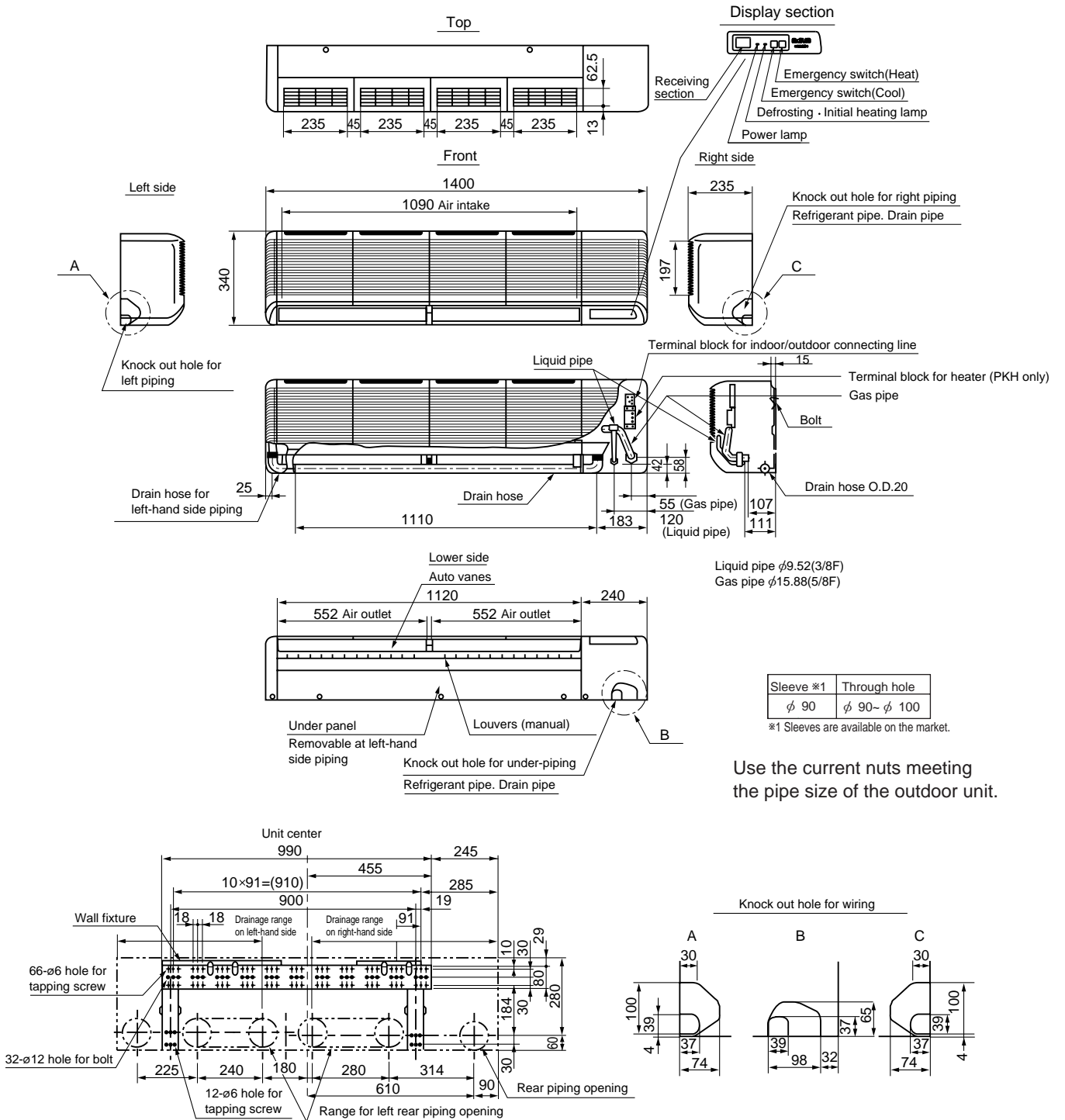
○ : Factory flare nut attachment to the heat - exchanger.

*1 Sleeves are available on the market.
*2 This size shows the lower end of through hole.

Model	Sleeve #1	Through hole
35,50	φ90	φ90-φ100

PKA-RP50FAL2
PKA-RP60FAL

Unit : mm



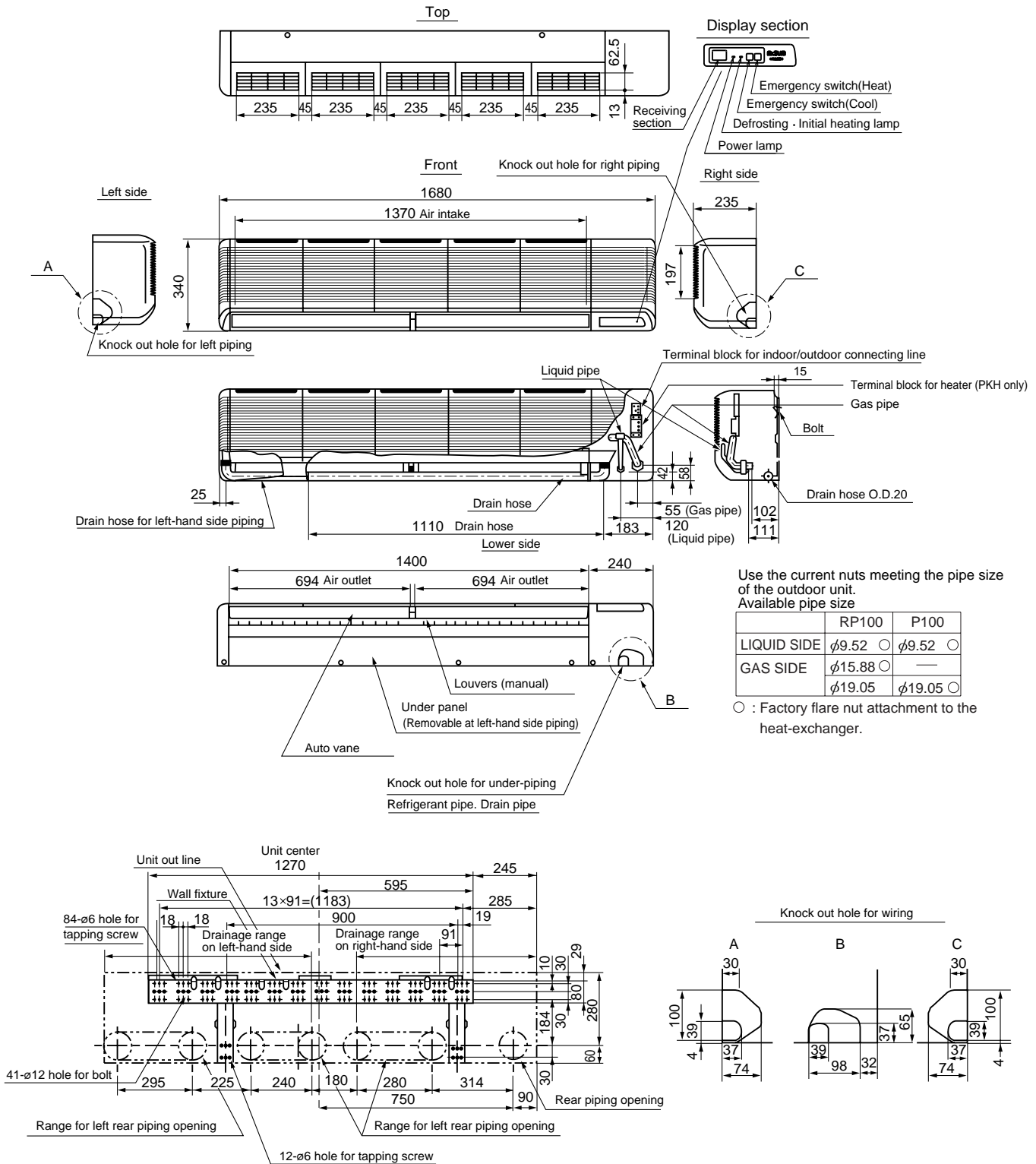
Available pipe size

	RP50	RP60,71 / P60,71
LIQUID SIDE	$\phi 6.35$ ○	—
	$\phi 9.52$	$\phi 9.52$ ○
GAS SIDE	$\phi 12.7$ ○	—
	$\phi 15.88$	$\phi 15.88$ ○

○:Factory flare nut attachment to the heat-exchanger.

PKA-RP100FAL

Unit : mm

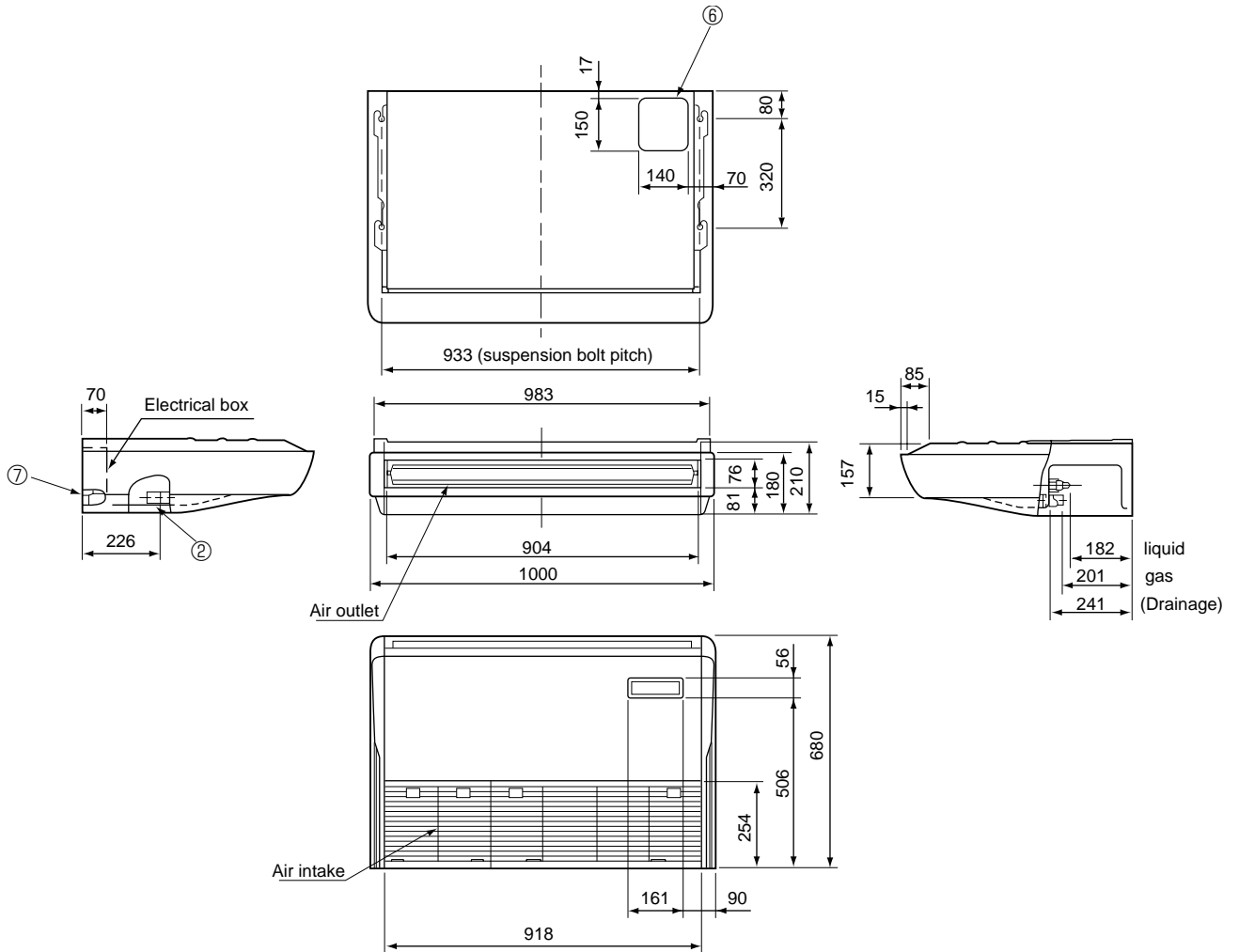


PCA-RP50GA

Unit : mm

NOTES:

1. Use M10 or W3/8 screws for anchor bolt.
2. When optional drain lift-up mechanism is installed, always provide upward piping for refrigerant piping.

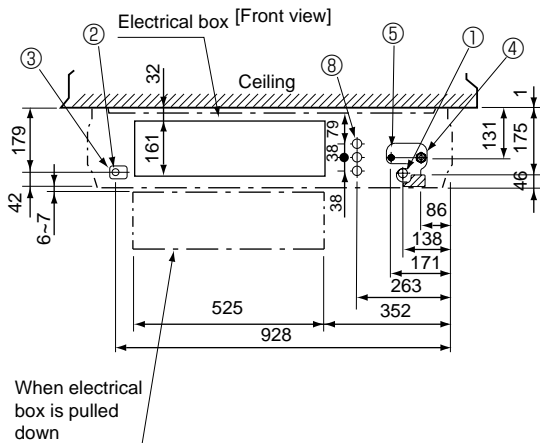


- ① Drainage pipe connection (26mm I.D.)
 - ② Drainage pipe connection (for the left arrangement)
 - ③ Knock out hole for left drain-piping arrangement
 - ④ Refrigerant-pipe connection (gas pipe side/flared connection)
 - ⑤ Refrigerant-pipe connection (liquid pipe side/flared connection)
 - ⑥ Knock out hole for upper drain pipe arrangement
 - ⑦ Knock out hole for left drain pipe arrangement
 - ⑧ Knock out hole for wiring arrangement
- Use the current nuts meeting the pipe size of the outdoor unit.

Available pipe size

	RP50	P50
⑤ LIQUID SIDE	φ6.35 ○	—
	φ9.52	φ9.52 ○
④ GAS SIDE	φ12.7 ○	—
	φ15.88	φ15.88 ○

○ : Factory flare nut attachment to the heat-exchanger.

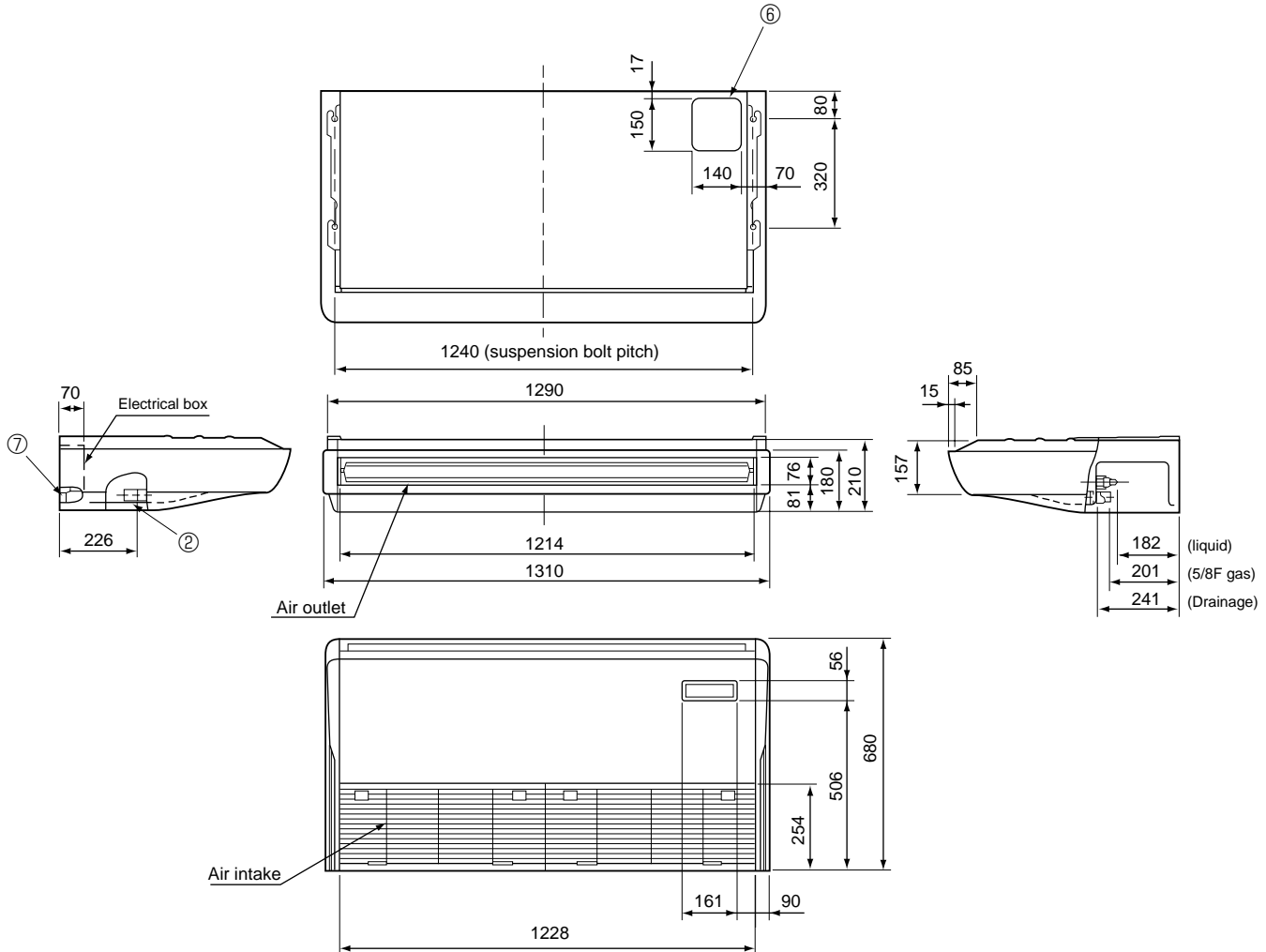


PCA-RP50GA2
PCA-RP60GA
PCA-RP70GA

Unit : mm

NOTES:

1. Use M10 or W3/8 screws for anchor bolt.
2. When optional drain lift-up mechanism is installed, always provide upward piping for refrigerant piping.



- ① Drainage pipe connection (26mm I.D.)
- ② Drainage pipe connection (for the left arrangement)
- ③ Knock out hole for left drain-piping arrangement
- ④ Refrigerant-pipe connection (gas pipe side/flared connection)
- ⑤ Refrigerant-pipe connection (liquid pipe side/flared connection)
- ⑥ Knock out hole for upper drain pipe arrangement
- ⑦ Knock out hole for left drain pipe arrangement
- ⑧ Knock out hole for wiring arrangement

Use the current nuts meeting the pipe size of the outdoor unit.

Available pipe size

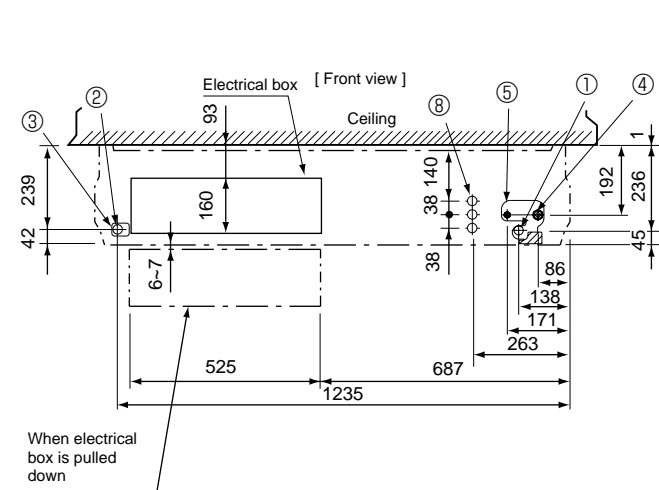
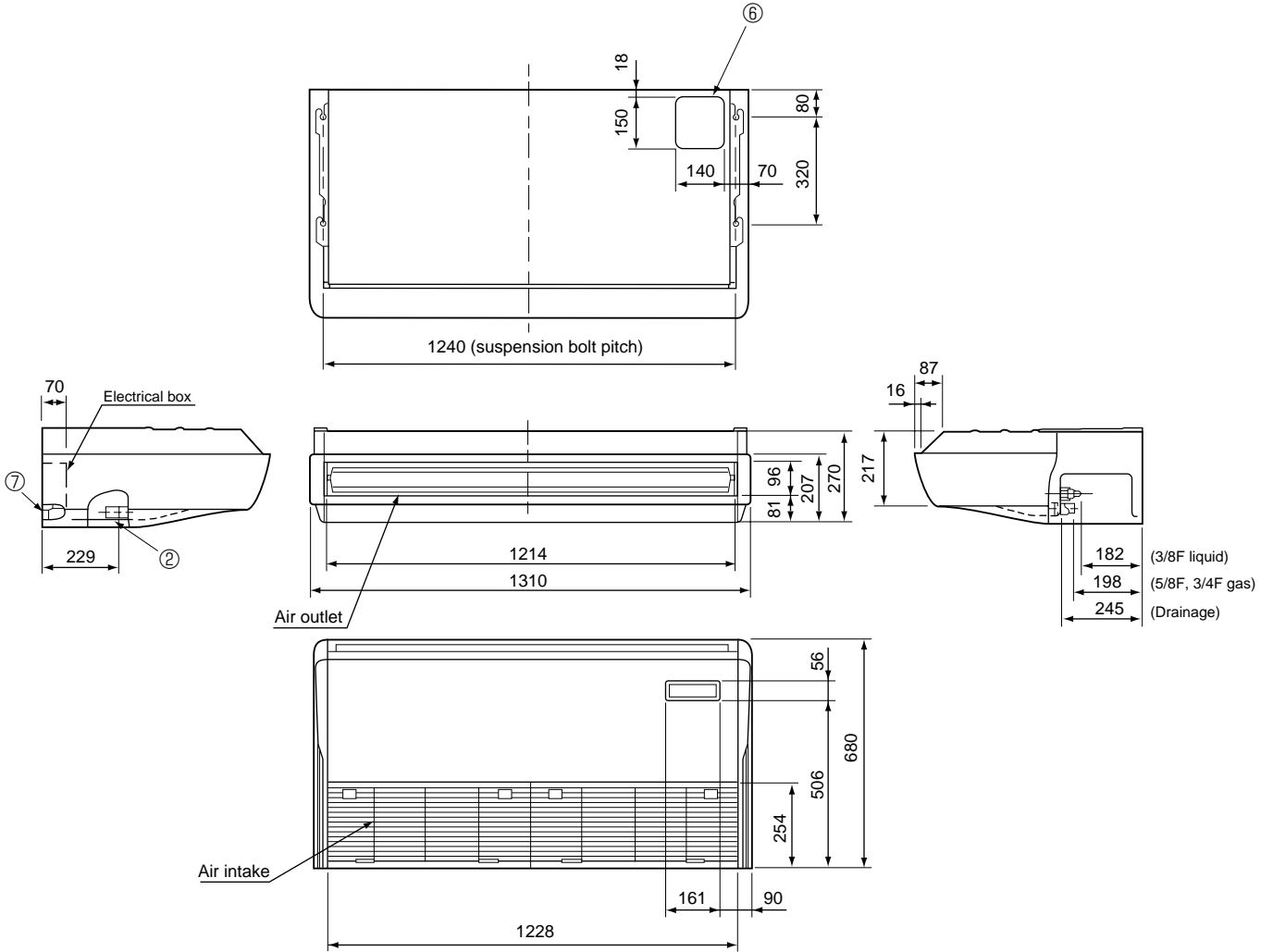
	RP50	RP60	RP71,P60,P71
⑤ LIQUID SIDE	$\phi 6.35$ ○	$\phi 6.35$	—
	$\phi 9.52$	$\phi 9.52$ ○	$\phi 9.52$ ○
④ GAS SIDE	$\phi 12.7$ ○	—	—
	$\phi 15.88$	$\phi 15.88$ ○	$\phi 15.88$ ○
	—	—	—

○ : Factory flare nut attachment to the heat-exchanger.

PCA-RP100GA

Unit : mm

- NOTES:
1. Use M10 or W3/8 screws for anchor bolt.
 2. When optional drain lift-up mechanism is installed, always provide upward piping for refrigerant piping.



- ① Drainage pipe connection (26mm I.D.)
- ② Drainage pipe connection (for the left arrangement)
- ③ Knock out hole for left drain-piping arrangement
- ④ Refrigerant-pipe connection (gas pipe side/flared connection)
- ⑤ Refrigerant-pipe connection (liquid pipe side/flared connection)
- ⑥ Knock out hole for upper drain pipe arrangement
- ⑦ Knock out hole for left drain pipe arrangement
- ⑧ Knock out hole for wiring arrangement

Use the current nuts meeting the pipe size of the outdoor unit.

Available pipe size

	RP100	P100
⑤ LIQUID SIDE	—	—
	φ9.52 ○	φ9.52 ○
④ GAS SIDE	—	—
	φ15.88 ○	—
	φ19.05	φ19.05 ○

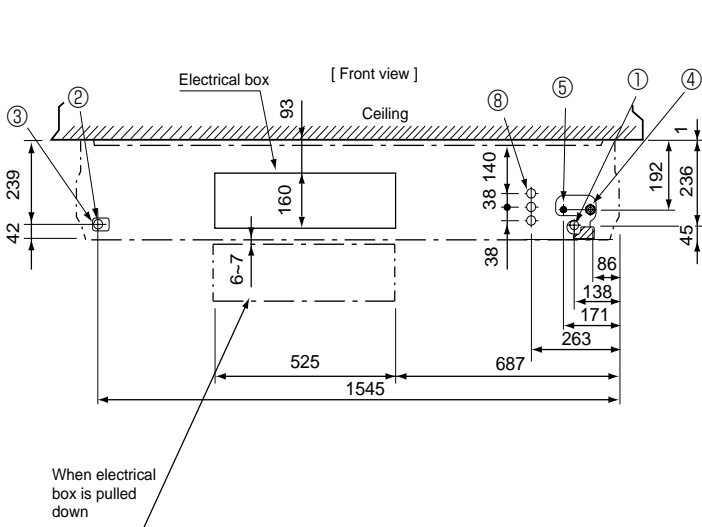
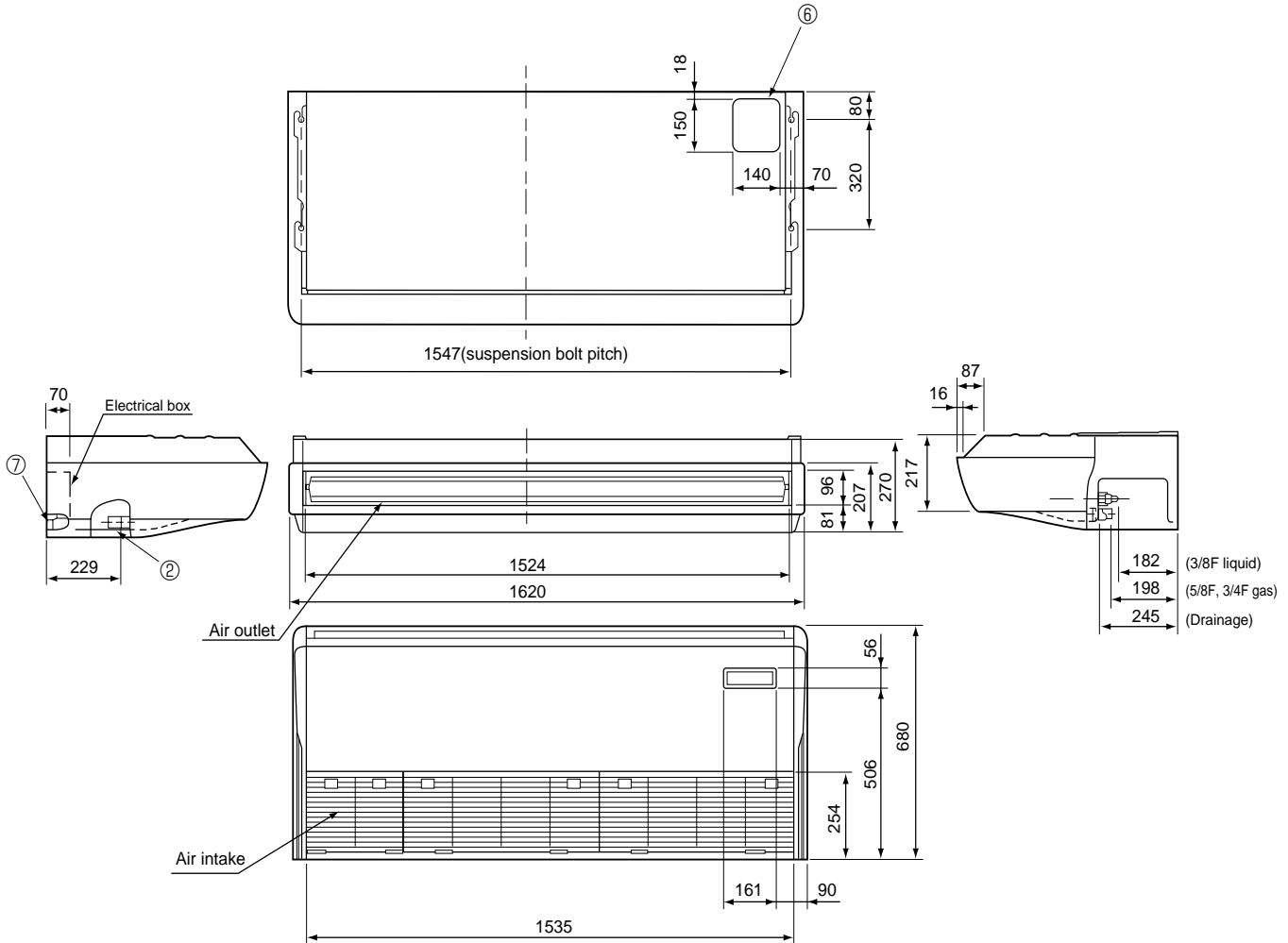
○ : Factory flare nut attachment to the heat-exchanger.

**PCA-RP125GA
PCA-RP140GA**

Unit : mm

NOTES:

1. Use M10 or W3/8 screws for anchor bolt.
2. When optional drain lift-up mechanism is installed, always provide upward piping for refrigerant piping.



- ① Drainage pipe connection (26mm I.D.)
- ② Drainage pipe connection (for the left arrangement)
- ③ Knock out hole for left drain-piping arrangement
- ④ Refrigerant-pipe connection (gas pipe side/flared connection)
- ⑤ Refrigerant-pipe connection (liquid pipe side/flared connection)
- ⑥ Knock out hole for upper drain pipe arrangement
- ⑦ Knock out hole for left drain pipe arrangement
- ⑧ Knock out hole for wiring arrangement

Use the current nuts meeting the pipe size of the outdoor unit.

Available pipe size

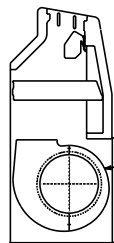
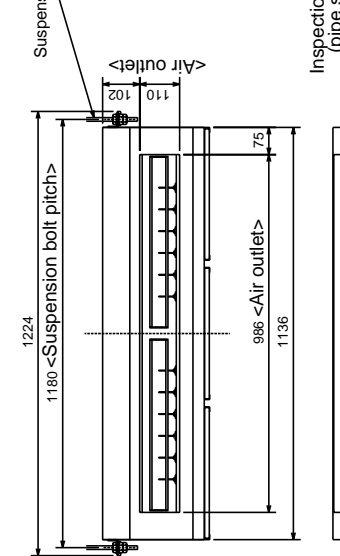
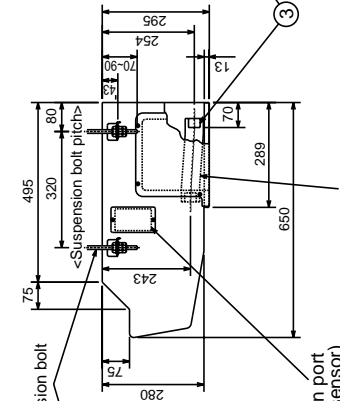
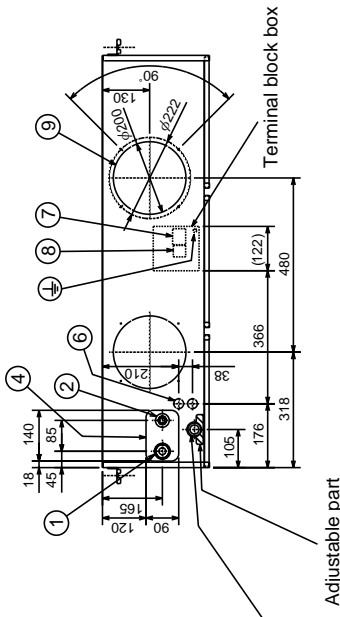
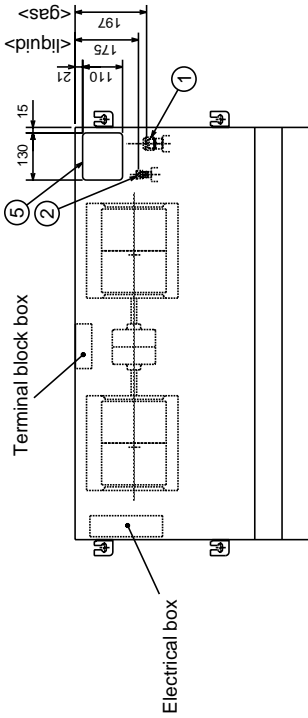
	RP125,140	P125,140
⑥ LIQUID SIDE	—	—
	φ9.52 ○	φ9.52 ○
④ GAS SIDE	—	—
	φ15.88 ○	—
	φ19.05	φ19.05 ○

○ :Factory flare nut attachment to the heat-exchanger.

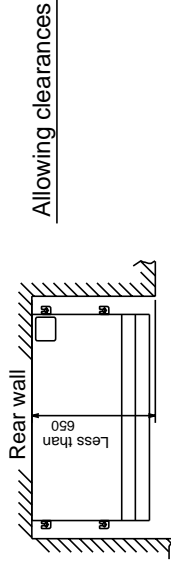
PCA-RP71HA

Unit : mm

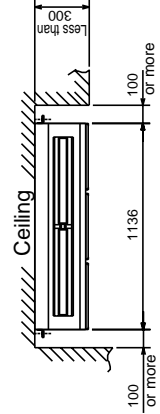
- ① Refrigerant-pipe connection(gas pipe side/flared connection : 5/8F)
 - ② Refrigerant-pipe connection(liquid pipe side/flared connection : 3/8F)
 - ③ Flexible hose(accessory) → Drainage pipe connection(26mm I.D.)
 - ④ Knock out hole for behind refrigerant-piping arrangement
 - ⑤ Knock out hole for upper refrigerant-pipe arrangement
 - ⑥ Knock out hole for wiring arrangement : 2-φ 27
 - ⑦ Terminal block(indoor/outdoor connecting line)
 - ⑧ Terminal block(remote controller)
 - ⑨ Knock out hole (duct for fresh air intake): 2-φ 200
- Option parts:duct flange(φ 200). model: PAC-SF28OF-E(1 pc.)



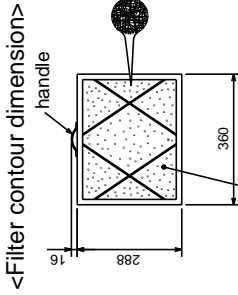
The half bottom of FAN CASING can be separated.



Allowing clearances



(Gap to ceiling)



Filter element for the exchange
model:PAC-SG38KF-E (12pcs.)

<Filter contour dimension>

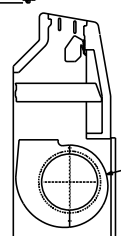
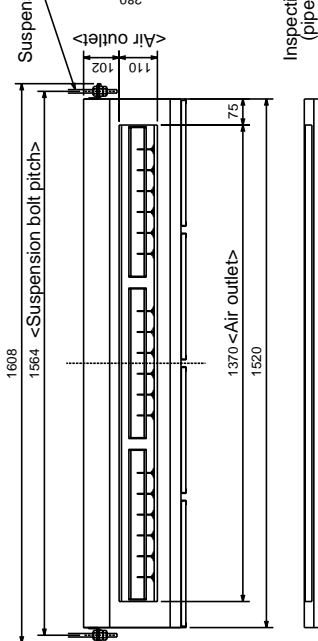
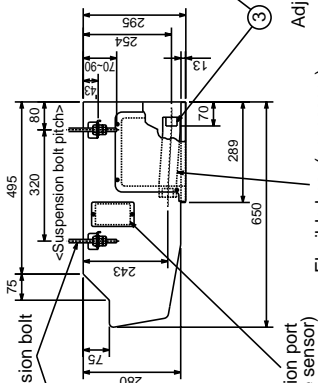
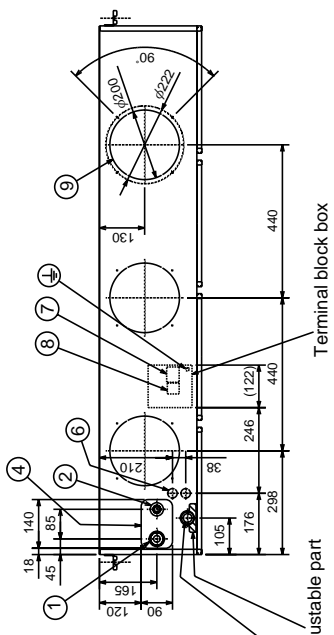
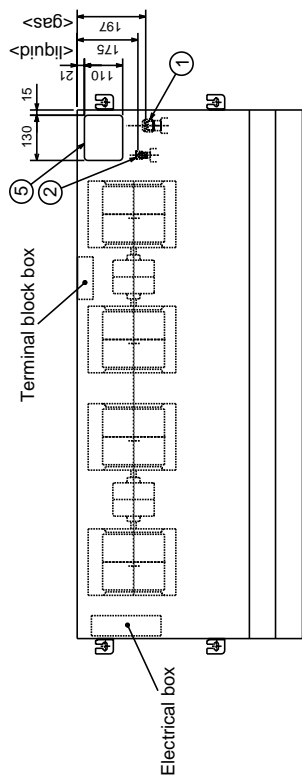
<Flexible hose(accessory)>

NOTES.
1.Use M10 or W3/8 screw for anchor bolt.

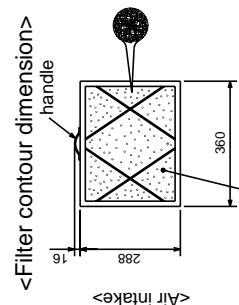
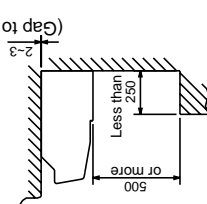
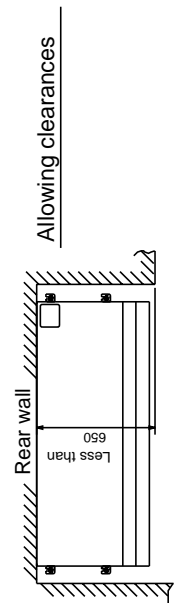
PCA-RP125HA

Unit : mm

- ① Refrigerant-pipe connection(gas pipe side/flared connection : 5/8F, 3/4F)
 - ② Refrigerant-pipe connection(liquid pipe side/flared connection : 3/8F)
 - ③ Flexible hose(accessory) → Drainage pipe connection(26mm I.D.)
 - ④ Knock out hole for behind refrigerant-pipe arrangement
 - ⑤ Knock out hole for upper refrigerant-pipe arrangement
 - ⑥ Knock out hole for wiring arrangement : 2-φ 27
 - ⑦ Terminal block(indoor/outdoor connecting line)
 - ⑧ Terminal block(remote controller)
 - ⑨ Knock out hole (duct for fresh air intake) : 2-φ 200
- Option parts:duct flange(φ 200). model: PAC-SF280F-E(1 pc.)



The half bottom of FAN CASING can be separated.



Filter element for the exchange
model:PAC-SG38KF-E (12pcs.)

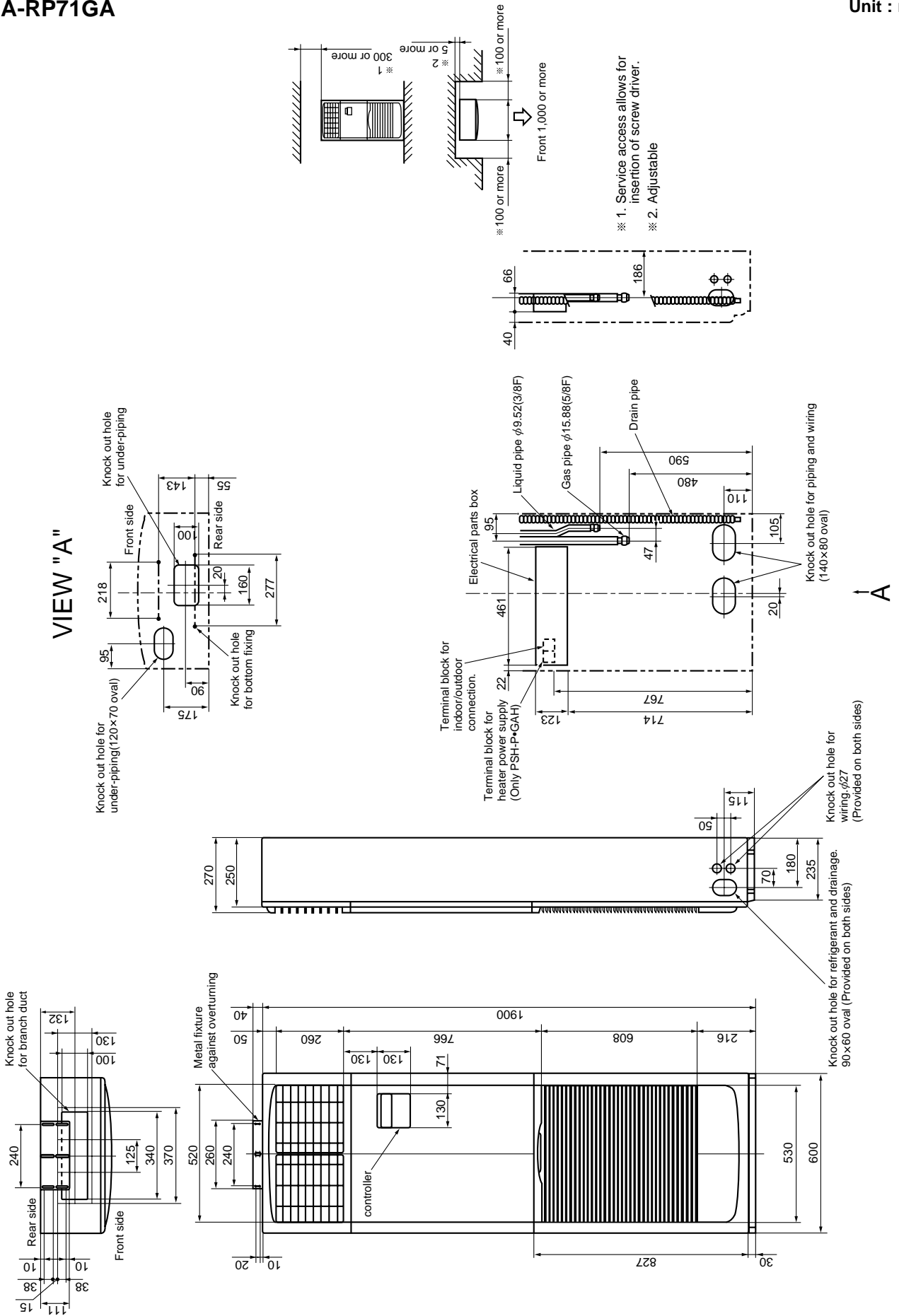
Available pipe size	RP125
② LIQUID SIDE	φ 9.52 ○
① GAS SIDE	φ 15.88 ○
	φ 19.05 ○

○ : Factory flare nut attachment to the heat-exchanger

- NOTES.**
- 1. Use M10 or W3/8 screw for anchor bolt.
 - Use the current nuts meeting the pipe size of the outdoor unit.

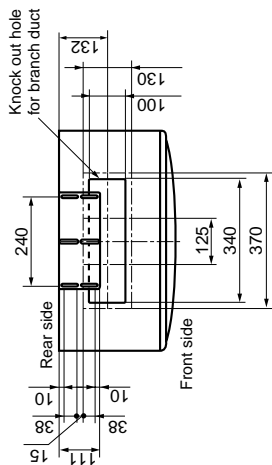
PSA-RP71GA

Unit : mm

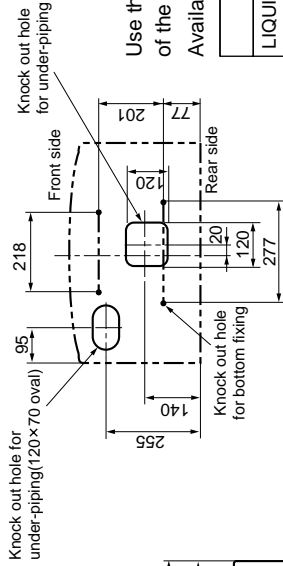


**PSA-RP100GA
PSA-RP125GA
PSA-RP140GA**

Unit : mm



VIEW "A"

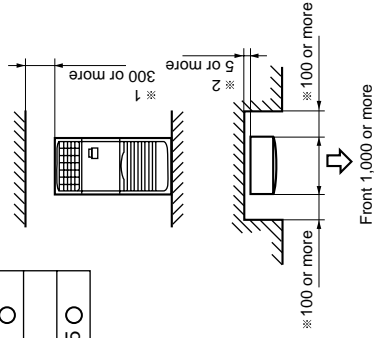
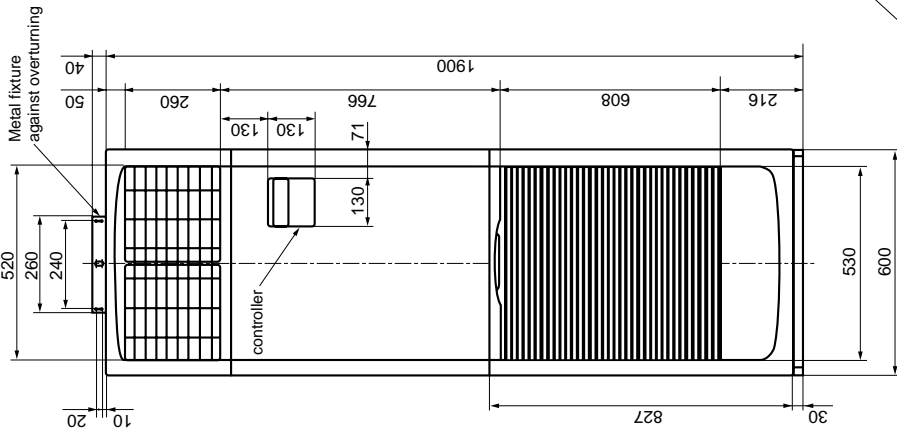


Use the current nuts meeting the pipe size of the outdoor unit.

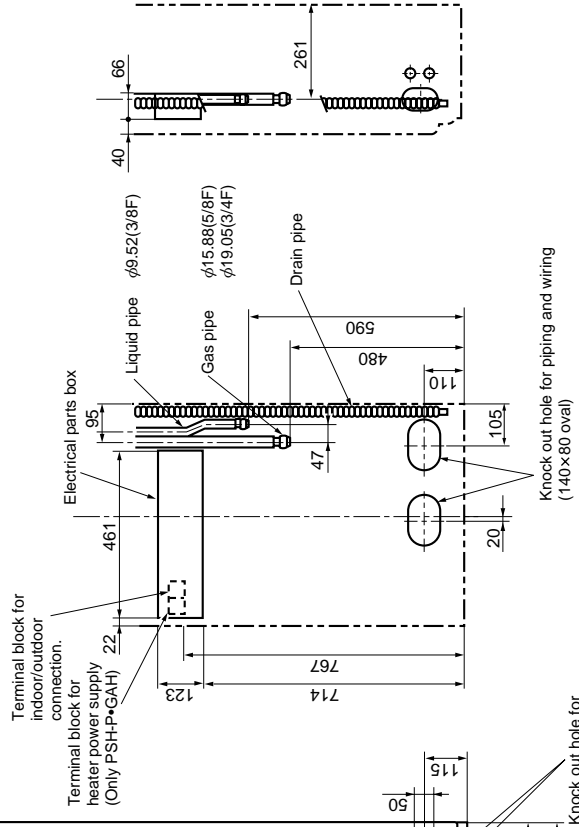
Available pipe size

	RP100, 125, 140	P100, 125, 140
LIQUID SIDE	φ 9.52 ○	φ 9.52 ○
GAS SIDE	φ 15.88 ○	φ 19.05 ○

○ : Factory flare nut attachment to the heat-exchanger



※ 1. Service access allows for insertion of screw driver.
※ 2. Adjustable

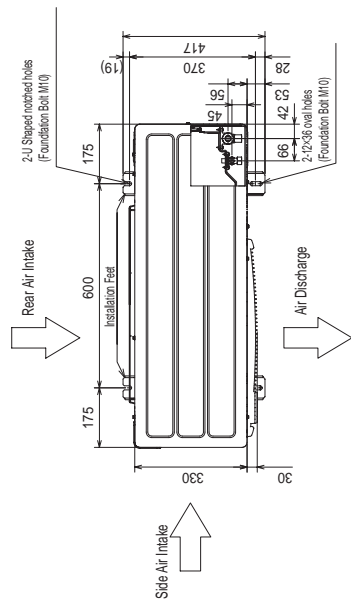


A

OUTDOOR UNIT

- PUH-P71VHA PUH-P71YHA
- PUH-P100VHA PUH-P100YHA
- PU-P71VHA PU-P71YHA
- PU-P100VHA PU-P100YHA

Unit : mm



1 FREE SPACE (Around the unit)
The diagram below shows a basic example. Explanation of particular details are given in the installation manuals etc.

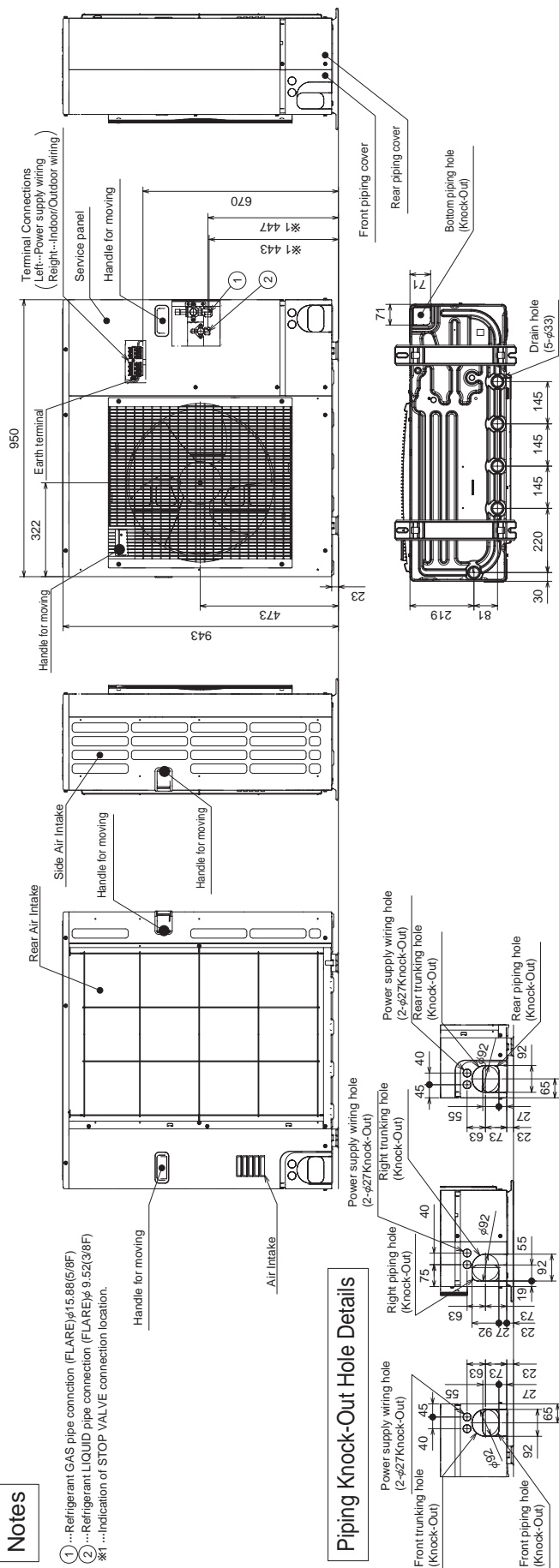
2 SERVICE SPACE
Dimensions of space needed for service access are shown in the below diagram.

3 FOUNDATION BOLTS
Please secure the unit firmly with 4 foundation (M10) bolts. (Bolts and washers must be purchased locally.)

4 PIPING-WIRING DIRECTIONS
Piping and wiring connections can be made from 4 directions: FRONT, Right, Rear and Below.

Notes

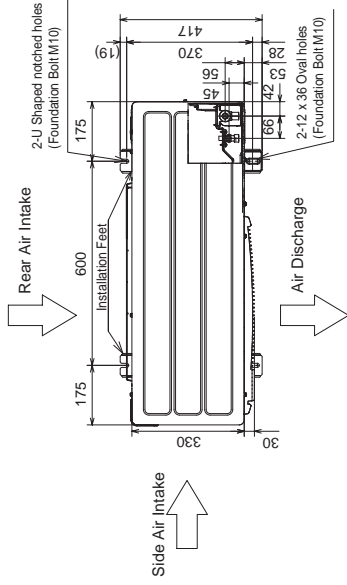
- ① ...Refrigerant GAS pipe connection (FLARE)φ15.88(5/8F)
- ② ...Refrigerant LIQUID pipe connection (FLARE)φ9.52(3/8F)
- *1 ...Indication of STOP VALVE connection location.



Piping Knock-Out Hole Details

PUH-P125YHA
 PUH-P140YHA
 PU-P125YHA
 PU-P140YHA

Unit : mm

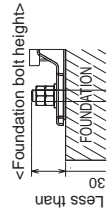


4 PIPING-WIRING DIRECTIONS

Piping and wiring connections can be made from 4 directions: FRONT, Right, Rear and Below.

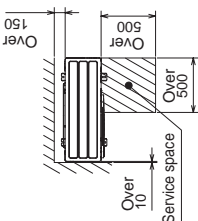
3 FOUNDATION BOLTS

Please secure the unit firmly with 4 foundation (M10) bolts. (Bolts and washers must be purchased locally.)



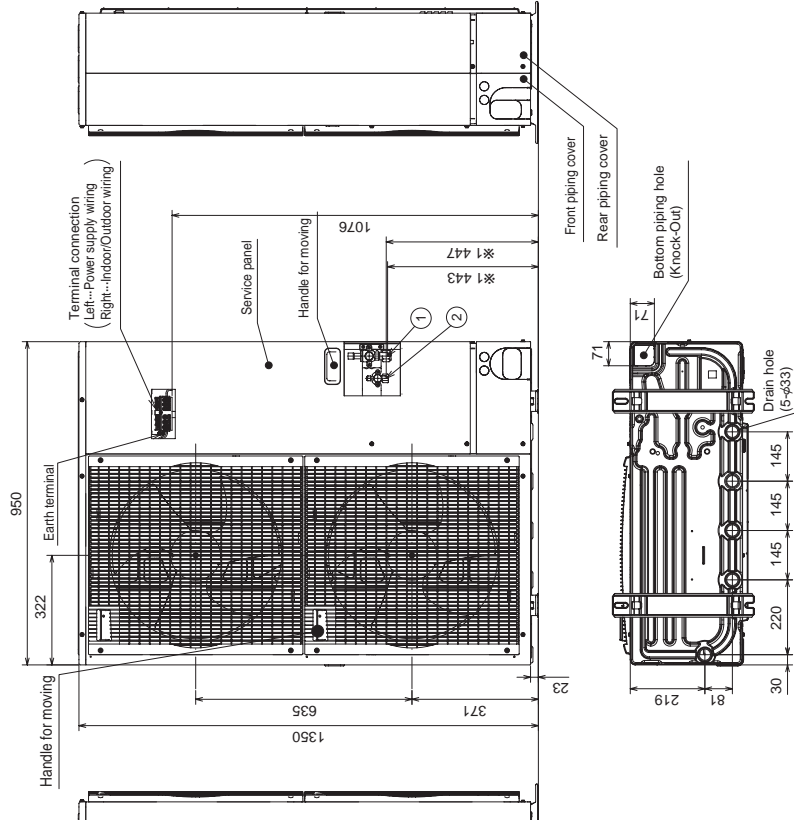
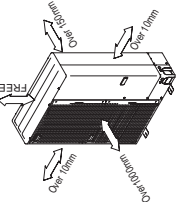
2 SERVICE SPACE

Dimensions of space needed for service access are shown in the below diagram.



1 FREE SPACE (Around the unit)

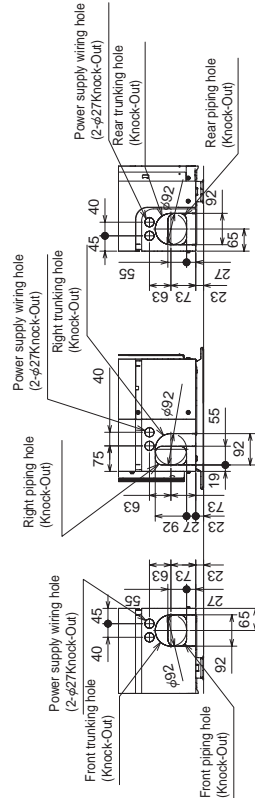
The diagram below shows a basic example. Explanation of particular details are given in the installation manuals etc.



Notes

- ① ...Refrigerant GAS pipe connection (FLARE)φ15.88(5/8F)
- ② ...Refrigerant LIQUID pipe connection (FLARE)φ 9.52(3/8F)
- *1 ...Indication of STOP VALVE connection location.

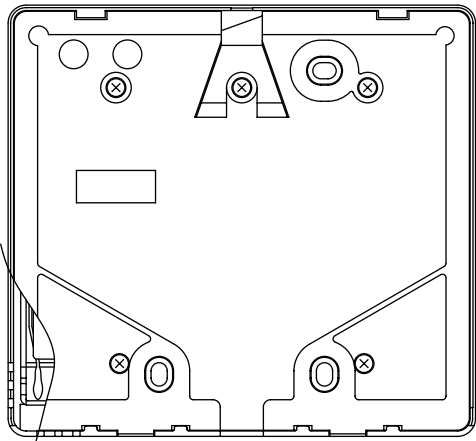
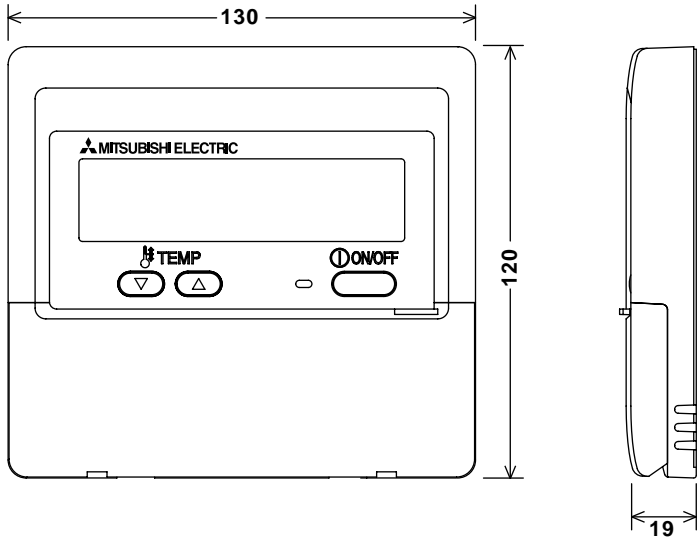
Piping Knock-Out Hole Details





WIRED REMOTE CONTROLLER

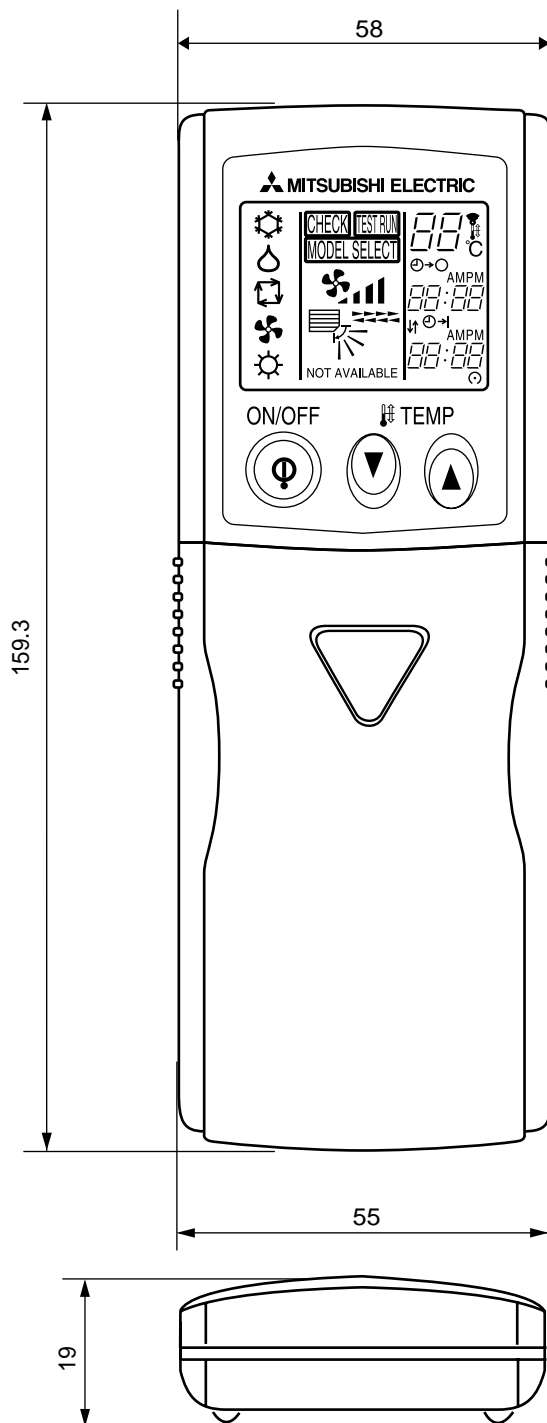
Unit : mm





WIRELESS REMOTE CONTROLLER

Unit : mm



4

WIRING DIAGRAM

4-1. INDOOR UNIT

PLA-RP35BA

PLA-RP50BA

PLA-RP60BA

PLA-RP71BA

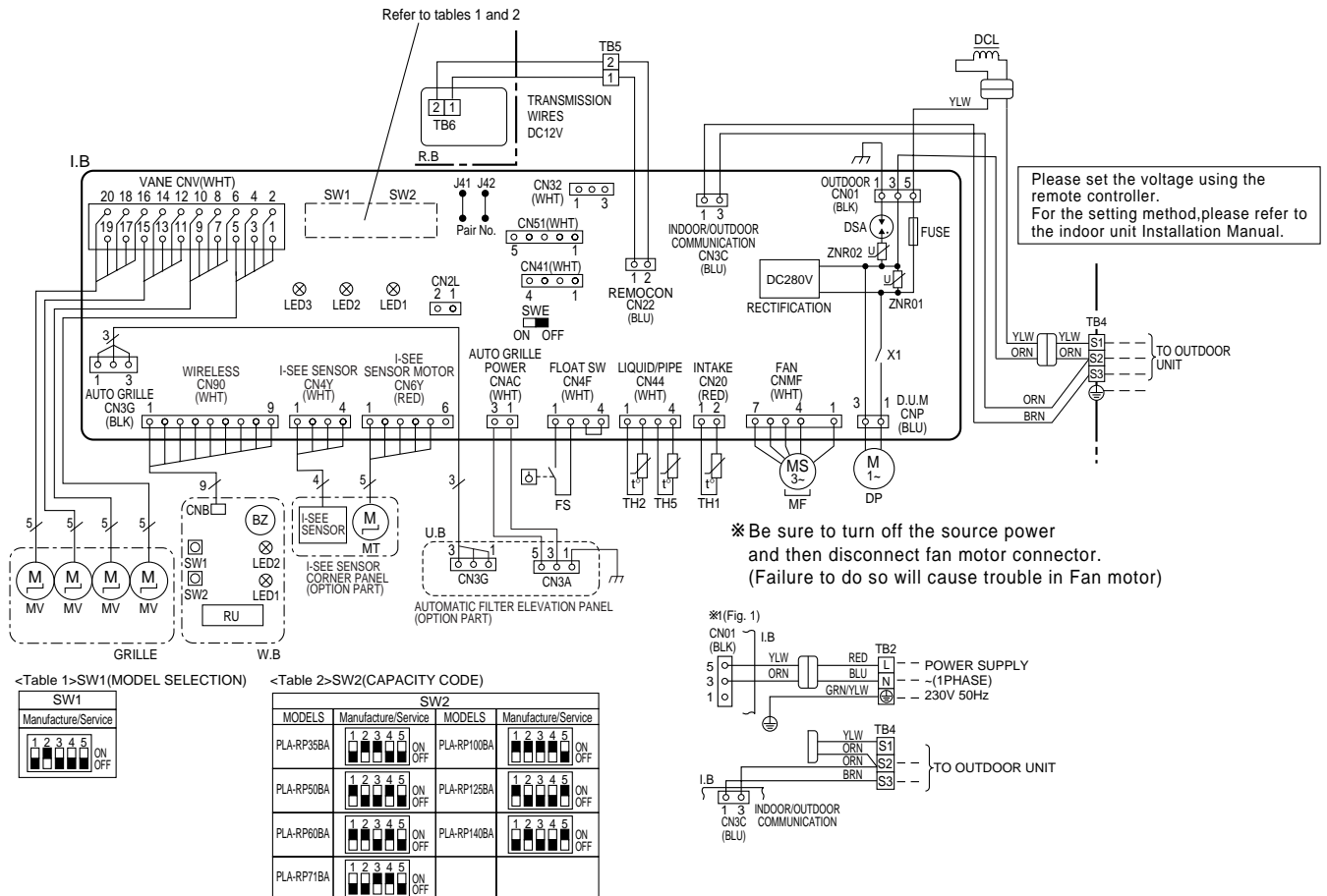
PLA-RP100BA

PLARP125BA

PLA-RP140BA

[LEGEND]

SYMBOL	NAME	SYMBOL	NAME
I.B	INDOOR CONTROLLER BOARD	MF	FAN MOTOR
CN2L	CONNECTOR (LOSSNAY)	MV	VANE MOTOR
CN32	CONNECTOR (REMOTE SWITCH)	TB2	TERMINAL BLOCK (Indoor unit Power (option))
CN41	CONNECTOR (HA TERMINAL-A)	TB4	TERMINAL BLOCK (INDOOR/OUTDOOR CONNECTING LINE)
CN51	CONNECTOR (CENTRALLY CONTROL)	TB5,TB6	TERMINAL BLOCK (REMOTE CONTROLLER TRANSMISSION LINE)
DSA	SURGE ABSORBER		
FUSE	FUSE (T6.3AL250V)	TH1	ROOM TEMP. THERMISTOR (0°C / 15kΩ, 25°C / 5.4kΩ DETECT)
LED1	POWER SUPPLY (I.B)	TH2	PIPE TEMP. THERMISTOR/LIQUID (0°C / 15kΩ, 25°C / 5.4kΩ DETECT)
LED2	POWER SUPPLY (R.B)	TH5	COND. / EVA. TEMP. THERMISTOR (0°C / 15kΩ, 25°C / 5.4kΩ DETECT)
LED3	TRANSMISSION (INDOOR-OUTDOOR)		
SW1	SWITCH (MODEL SELECTION) ※See table 1		
SW2	SWITCH (CAPACITY CODE) ※See table 2		
SWE	CONNECTOR (EMERGENCY OPERATION)	OPTION PART	
X1	RELAY (DRAIN PUMP)	W.B	PCB FOR WIRELESS REMOTE CONTROLLER
ZNR01,02	VARISTOR	BZ	BUZZER
DCL	REACTOR	LED1	LED (OPERATION INDICATION : GREEN)
DP	DRAIN-UP MACHINE	LED2	LED (PREPARATION FOR HEATING : ORANGE)
FS	DRAIN FLOAT SWITCH	RU	RECEIVING UNIT
		SW1	EMERGENCY OPERATION (HEAT / DOWN)
		SW2	EMERGENCY OPERATION (COOL / UP)



<Table 1>SW1(MODEL SELECTION)

SW1
Manufacture/Service
1 2 3 4 5 ON OFF

<Table 2>SW2(CAPACITY CODE)

SW2	
MODELS	Manufacture/Service
PLA-RP35BA	1 2 3 4 5 ON OFF
PLA-RP50BA	1 2 3 4 5 ON OFF
PLA-RP60BA	1 2 3 4 5 ON OFF
PLA-RP71BA	1 2 3 4 5 ON OFF
PLA-RP100BA	1 2 3 4 5 ON OFF
PLA-RP125BA	1 2 3 4 5 ON OFF
PLA-RP140BA	1 2 3 4 5 ON OFF

Notes:

- Symbols used in wiring diagram above are, : Connector, : Terminal (block).
- Indoor and outdoor connecting wires have polarities, make sure to match terminal numbers (S1, S2, S3) for correct wirings.
- Since the outdoor side electric wiring may change, be sure to check the outdoor unit electric wiring diagram for servicing.
- This diagram shows the wiring of indoor and outdoor connecting wires (specification of 230V), adopting superimposed system of power and signal.

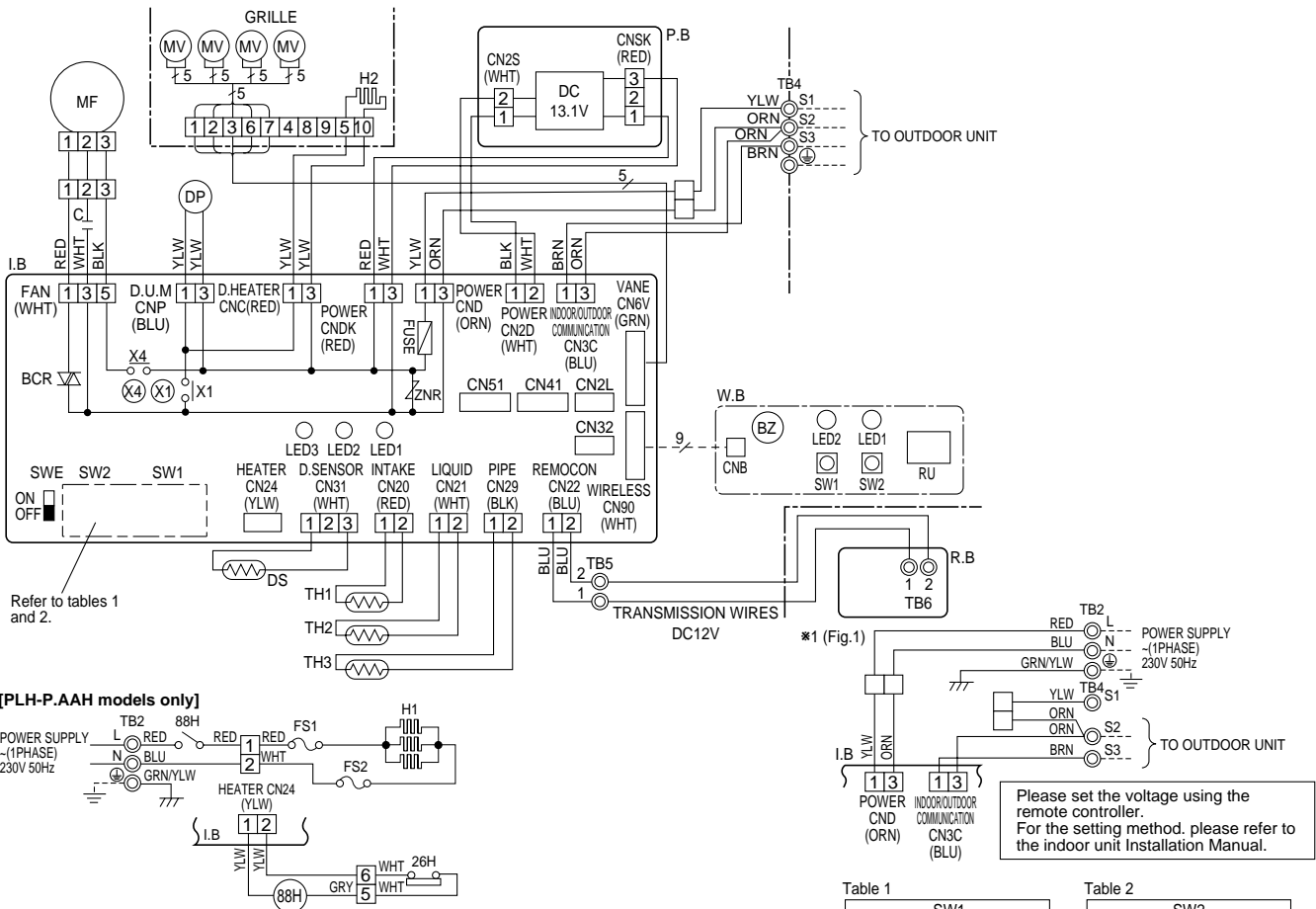
※1: When work to Supply power separately to indoor and outdoor units was applied, refer to Fig. 1.

※2: For power supply system of this unit, refer to the caution label located near this diagram.

PLA-RP35AA PLA-RP50AA PLA-RP60AA PLA-RP71AA

[LEGEND]

SYMBOL	NAME	SYMBOL	NAME	SYMBOL	NAME
P.B	INDOOR POWER BOARD	MF	FAN MOTOR	W.B	WIRELESS REMOTE CONTROLLER BOARD
I.B	INDOOR CONTROLLER BOARD	MV	VANE MOTOR	RU	RECEIVING UNIT
FUSE	FUSE(T6.3AL250V)	H2	DEW PREVENTION HEATER	BZ	BUZZER
ZNR	VARISTOR	DP	DRAIN-UP MACHINE	LED1	LED(RUN INDICATOR)
BCR	FAN CONTROL ELEMENT	DS	DRAIN SENSOR	LED2	LED(HOT ADJUST)
CN2L	CONNECTOR(LOSSNAY)	TB2	TERMINAL BLOCK (HEATER)*PLH-P.AAH models only or option for PLA-RP.AA models.	SW1	SWITCH(HEATING ON/OFF)
CN32	CONNECTOR(REMOTE SWITCH)	TB4	TERMINAL BLOCK (INDOOR/OUTDOOR CONNECTING LINE)	SW2	SWITCH(COOLING ON/OFF)
CN41	CONNECTOR(HA TERMINAL-A)	TB5, TB6	TERMINAL BLOCK(REMOTE CONTROLLER TRANSMISSION LINE)	HEATER	
CN51	CONNECTOR(CENTRALLY CONTROL)	TH1	ROOM TEMP.THERMISTOR (0°C/15kΩ,25°C/5.4kΩ DETECT)	FS1	THERMAL FUSE(72°C, 16A)
LED1	POWER SUPPLY(I.B)	TH2	PIPE TEMP.THERMISTOR/LIQUID (0°C/15kΩ,25°C/5.4kΩ DETECT)	FS2	THERMAL FUSE(104°C, 16A)
LED2	POWER SUPPLY(I.B)	TH5	COND./EVA. TEMP. THERMISTOR (0°C/15kΩ,25°C/5.4kΩ DETECT)	H1	HEATER
LED3	TRANSMISSION(INDOOR-OUTDOOR)			26H	HEATER THERMAL SWITCH
X1	RELAY(DRAIN PUMP)			88H	HEATER CONTACTOR
X4	RELAY(FAN MOTOR)				
SW1	SWITCH(MODEL SELECTION)*See table 1				
SW2	SWITCH(CAPACITY CORD)*See table 2				
SWE	CONNECTOR(EMERGENCY OPERATION)				
C	CAPACITOR(FAN MOTOR)	R.B	WIRED REMOTE CONTROLLER BOARD		



- Notes:
- Symbols used in wiring diagram above are, □ : Connector, ⊙ : Terminal (block).
 - Indoor and outdoor connecting wires have polarities, make sure to match terminal numbers (S1, S2, S3) for correct wirings.
 - Since the outdoor side electric wiring may change, be sure to check the outdoor unit electric wiring diagram for servicing.
 - This diagram shows the wiring of indoor and outdoor connecting wires (specification of 230V), adopting superimposed system of power and signal.
 - *1: When work to Supply power separately to indoor and outdoor units was applied, refer to Fig 1.
 - *2: For power supply system of this unit, refer to the caution label located near this diagram.

Table 1

MODELS	SW1	Manufacture/Service
PLA-RP. AA	1 2 3 4 5	ON OFF
PLH-P. AAH	1 2 3 4 5	ON OFF

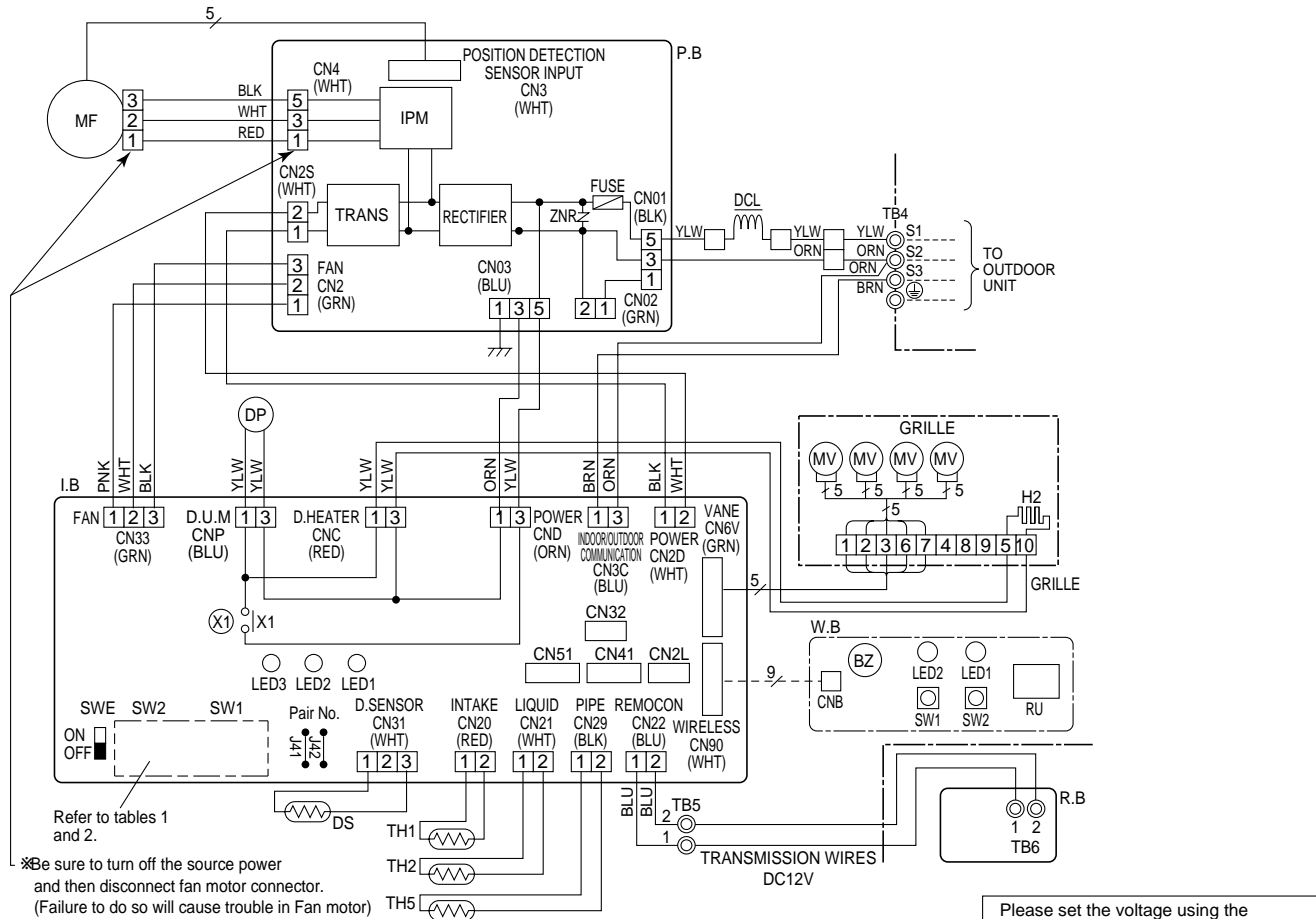
Table 2

MODELS	SW2	Manufacture/Service
PLA-RP35AA	1 2 3 4 5	ON OFF
PLH-P35AAH	1 2 3 4 5	ON OFF
PLA-RP50AA	1 2 3 4 5	ON OFF
PLH-P50AAH	1 2 3 4 5	ON OFF
PLA-RP60AA	1 2 3 4 5	ON OFF
PLH-P60AAH	1 2 3 4 5	ON OFF
PLA-RP71AA	1 2 3 4 5	ON OFF
PLH-P71AAH	1 2 3 4 5	ON OFF

PLA-RP100AA2 PLA-RP125AA2 PLA-RP140AA2

[LEGEND]

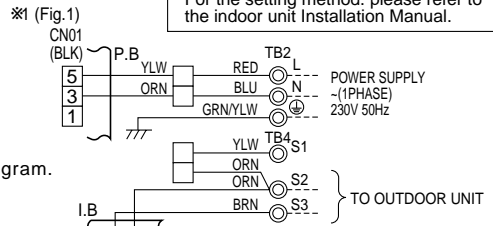
SYMBOL	NAME	SYMBOL	NAME	SYMBOL	NAME
P.B	INDOOR POWER BOARD	MV	VANE MOTOR	W.B	WIRELESS REMOTE CONTROLLER BOARD
	FUSE FUZE(T5AL250V)	H2	DEW PREVENTION HEATER	RU	RECEIVING UNIT
	ZNR VARISTOR	DP	DRAIN-UP MACHINE	BZ	BUZZER
	IPM POWER MODULE	DS	DRAIN SENSOR	LED1	LED(RUN INDICATOR)
I.B	INDOOR CONTROLLER BOARD	TB2	TERMINAL BLOCK (Indoor unit Power (option))	LED2	LED(HOT ADJUST)
	CN2L CONNECTOR(LOSSNAY)	TB4	TERMINAL BLOCK (INDOOR/OUTDOOR CONNECTING LINE)	SW1	SWITCH(HEATING ON/OFF)
	CN32 CONNECTOR(REMOTE SWITCH)	TB5, TB6	TERMINAL BLOCK(REMOTE CONTROLLER TRANSMISSION LINE)	SW2	SWITCH(COOLING ON/OFF)
	CN41 CONNECTOR(HA TERMINAL-A)	DCL	REACTOR		
	CN51 CONNECTOR(CENTRALLY CONTROL)	TH1	ROOM TEMP.THERMISTOR (0°C/15kΩ,25°C/5.4kΩ DETECT)		
	LED1 POWER SUPPLY(I.B)	TH2	PIPE TEMP.THERMISTOR/LIQUID (0°C/15kΩ,25°C/5.4kΩ DETECT)		
	LED2 POWER SUPPLY(I.B)	TH5	COND./EVA. TEMP. THERMISTOR (0°C/15kΩ,25°C/5.4kΩ DETECT)		
	LED3 TRANSMISSION(INDOOR-OUTDOOR)				
	X1 RELAY(DRAIN PUMP)				
	SW1 SWITCH(MODEL SELECTION)*See table 1				
	SW2 SWITCH(CAPACITY CORD)*See table 2				
	SWE CONNECTOR(EMERGENCY OPERATION)	R.B	WIRED REMOTE CONTROLLER BOARD		
MF	FAN MOTOR				



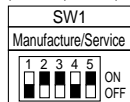
Notes:

- Symbols used in wiring diagram above are, □: Connector, ⊙: Terminal (block).
- Indoor and outdoor connecting wires have polarities, make sure to match terminal numbers (S1, S2, S3) for correct wirings.
- Since the outdoor side electric wiring may change, be sure to check the outdoor unit electric wiring diagram for servicing.
- This diagram shows the wiring of indoor and outdoor connecting wires (specification of 230V), adopting superimposed system of power and signal.
 - *1: When work to Supply power separately to indoor and outdoor units was applied, refer to Fig 1.
 - *2: For power supply system of this unit, refer to the caution label located near this diagram.

Please set the voltage using the remote controller. For the setting method, please refer to the indoor unit Installation Manual.



(Table 1) SW1 (MODEL SELECTION)



(Table 2) SW2 (CAPACITY CORD)

SW2			
MODELS	Manufacture/Service	MODELS	Manufacture/Service
PLA-RP100AA2	1 2 3 4 5 ON OFF	PLA-RP140AA2	1 2 3 4 5 ON OFF
PLA-RP125AA2	1 2 3 4 5 ON OFF		

PMH-P25BA PMH-P35BA PMH-P50BA

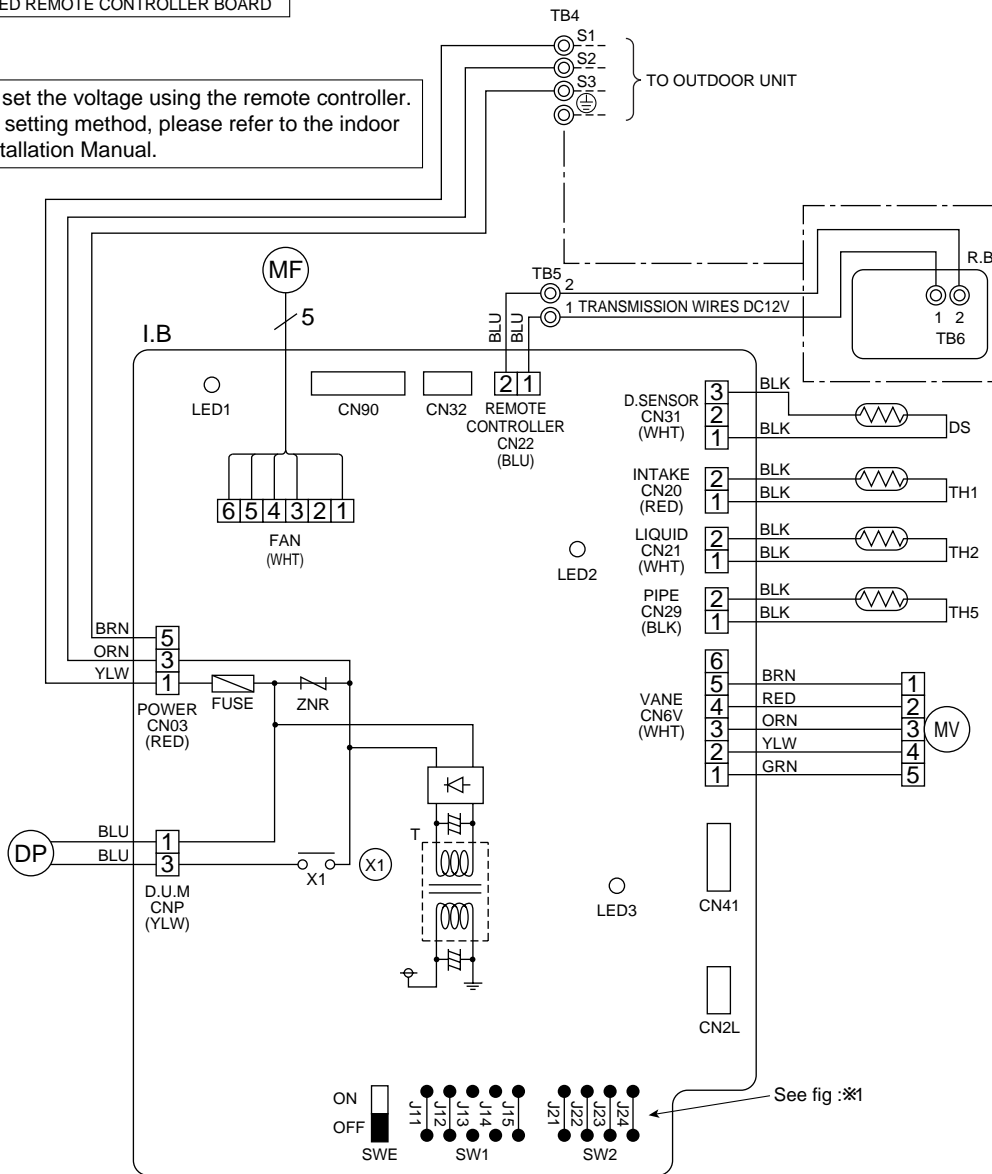
[LEGEND]

SYMBOL	NAME	SYMBOL	NAME
I.B	INDOOR CONTROLLER BOARD	DP	DRAIN-UP MACHINE
CN2L	CONNECTOR(LOSSNAY)	DS	DRAIN SENSOR
CN32	CONNECTOR(REMOTE SWITCH)	MF	FAN MOTOR
CN41	CONNECTOR(HA TERMINAL-A)	MV	VANE MOTOR
FUSE	FUSE(6.3A , 250V)	TB4	TERMINAL BLOCK (INDOOR / OUTDOOR CONNECTING LINE)
LED1	POWER SUPPLY(I.B)	TB5,TB6	TERMINAL BLOCK (REMOTE CONTROL TRANSMISSION LINE)
LED2	POWER SUPPLY(R.B)	TH1	ROOM TEMP. THERMISTOR (0°C/15kΩ 25°C/5.4kΩ DETECT)
LED3	TRANSMISSION(INDOOR-OUTDOOR)	TH2	PIPE TEMP. THERMISTOR / LIQUID (0°C/15kΩ 25°C/5.4kΩ DETECT)
SW1	JUMPER WIRE(MODEL SELECTION)	TH5	COND. / EVA. TEMP. THERMISTOR (0°C/15kΩ 25°C/5.4kΩ DETECT)
SW2	JUMPER WIRE(CAPACITY CORD)		
SWE	SWITCH(EMERGENCY OPERATION)		
T	TRANSFORMER		
X1	RELAY(DRAIN PUMP)		
ZNR	VARISTOR		
R.B	WIRED REMOTE CONTROLLER BOARD		

<※1>

	MODELS	Manufacture	Service board
SW1	PMH-P25/35/50BA	J11 J12 J13 J14 J15	1 2 3 4 5 ON OFF
SW2	PMH-P25BA	J21 J22 J23 J24	1 2 3 4 ON OFF
	PMH-P35BA	J21 J22 J23 J24	1 2 3 4 ON OFF
	PMH-P50BA	J21 J22 J23 J24	1 2 3 4 ON OFF

Please set the voltage using the remote controller.
For the setting method, please refer to the indoor
unit Installation Manual.



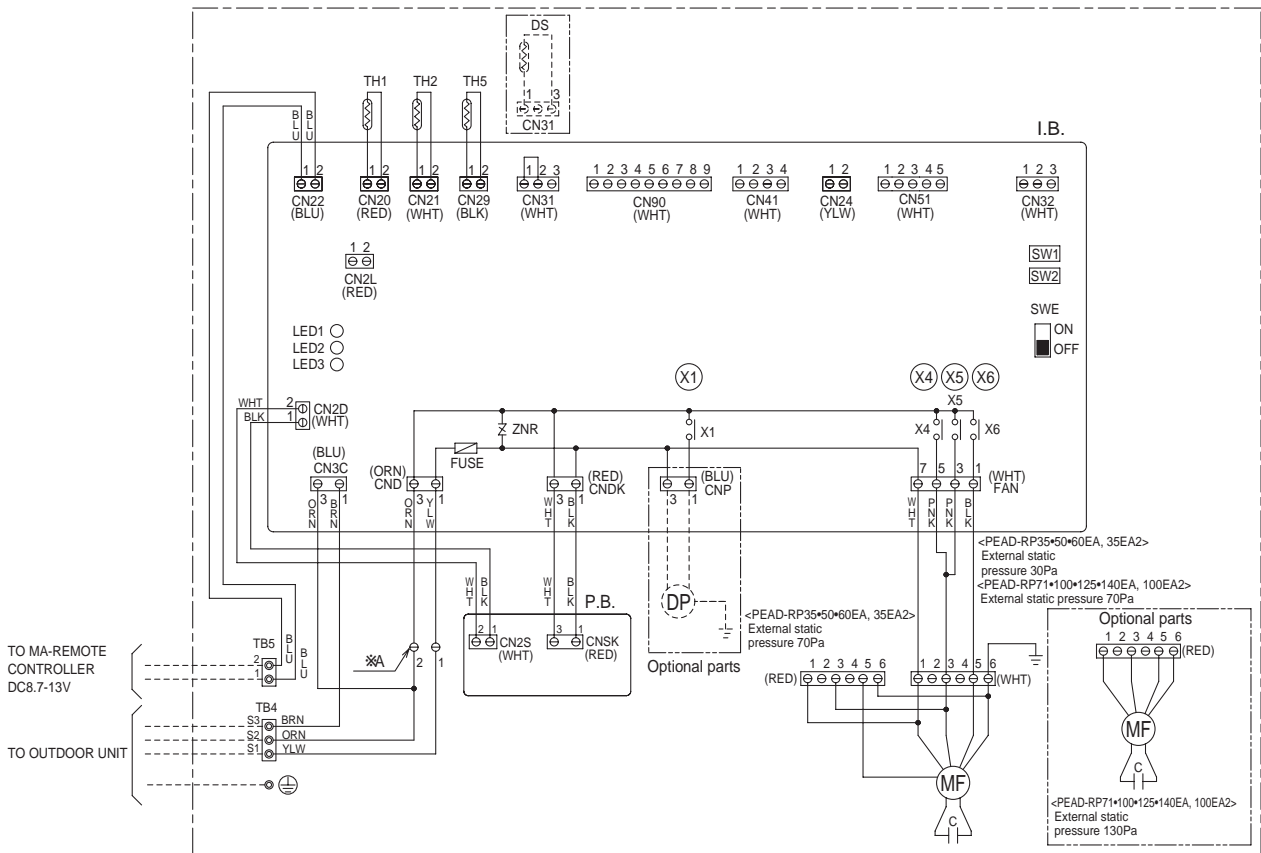
Notes:

- Symbols used in wiring diagram above are, □: Connector, ⊙: Terminal (block).
 - Indoor and outdoor connecting wires have polarities, make sure to match terminal numbers (S1, S2, S3) for correct wirings.
 - Since the outdoor side electric wiring may change, be sure to check the outdoor unit electric wiring diagram for servicing.
 - This diagram shows the wiring of indoor and outdoor connecting wires (specification of 230V), adopting superimposed system of power and signal.
- ※1: When work to Supply power separately to indoor and outdoor units was applied, refer to ※1.
 ※2: For power supply system of this unit, refer to the caution label located near this diagram.

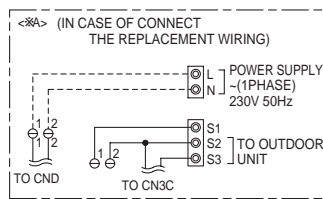
**PEAD-RP35EA2 PEAD-RP50EA PEAD-RP60EA PEAD-RP71EA
PEAD-RP100EA2 PEAD-RP125EA PEAD-RP140EA**

SYMBOL	NAME	SYMBOL	NAME	SYMBOL	NAME
I.B.	INDOOR CONTROLLER BOARD	SW2	SWITCH(CAPACITY CORD)	TB4	TERMINAL BLOCK (INDOOR/OUTDOOR CONNECTING LINE)
FUSE	FUSE(T6.3AL250V)	SWE	SWITCH(EMERGENCY OPERATION)	TB5	TERMINAL BLOCK(REMOTE CONTROLLER)
ZNR	VARISTOR	X1	RELAY(DRAIN PUMP)	TH1	INTAKE AIR TEMP. THERMISTOR (0°C /15kΩ,25°C /5.4kΩ DETECT)
CN2L	CONNECTOR(LOSSNAY)	X4	RELAY(FAN MOTOR)	TH2	PIPE TEMP. THERMISTOR/LIQUID (0°C /15kΩ,25°C /5.4kΩ DETECT)
CN24	CONNECTOR(HEATER)	X5	RELAY(FAN MOTOR)	TH5	COND./EVA. TEMP. THERMISTOR (0°C /15kΩ,25°C /5.4kΩ DETECT)
CN32	CONNECTOR(REMOTE SWITCH)	X6	RELAY(FAN MOTOR)		
CN41	CONNECTOR(HA TERMINAL-A)	P.B.	INDOOR POWER BOARD		
CN51	CONNECTOR(CENTRALLY CONTROL)	DRAIN PUMP	(OPTIONAL PARTS)		
CN90	CONNECTOR(WIRELESS)	DP	DRAIN PUMP		
LED1	POWER SUPPLY(I.B.)	DS	DRAIN SENSOR		
LED2	POWER SUPPLY(REMOTE CONTROLLER)	C	CAPACITOR(FAN MOTOR)		
LED3	TRANSMISSION(INDOOR•OUTDOOR)	MF	FAN MOTOR		
SW1	SWITCH(MODEL SELECTION)				

INSIDE SECTION OF CONTROL BOX



MODELS	SW1 Model selection switch	SW2 Capacity cord switch
35EA(2)		
50EA		
60EA		
71EA		
100EA(2)		
125EA		
140EA		



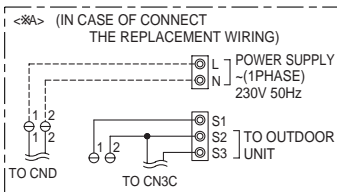
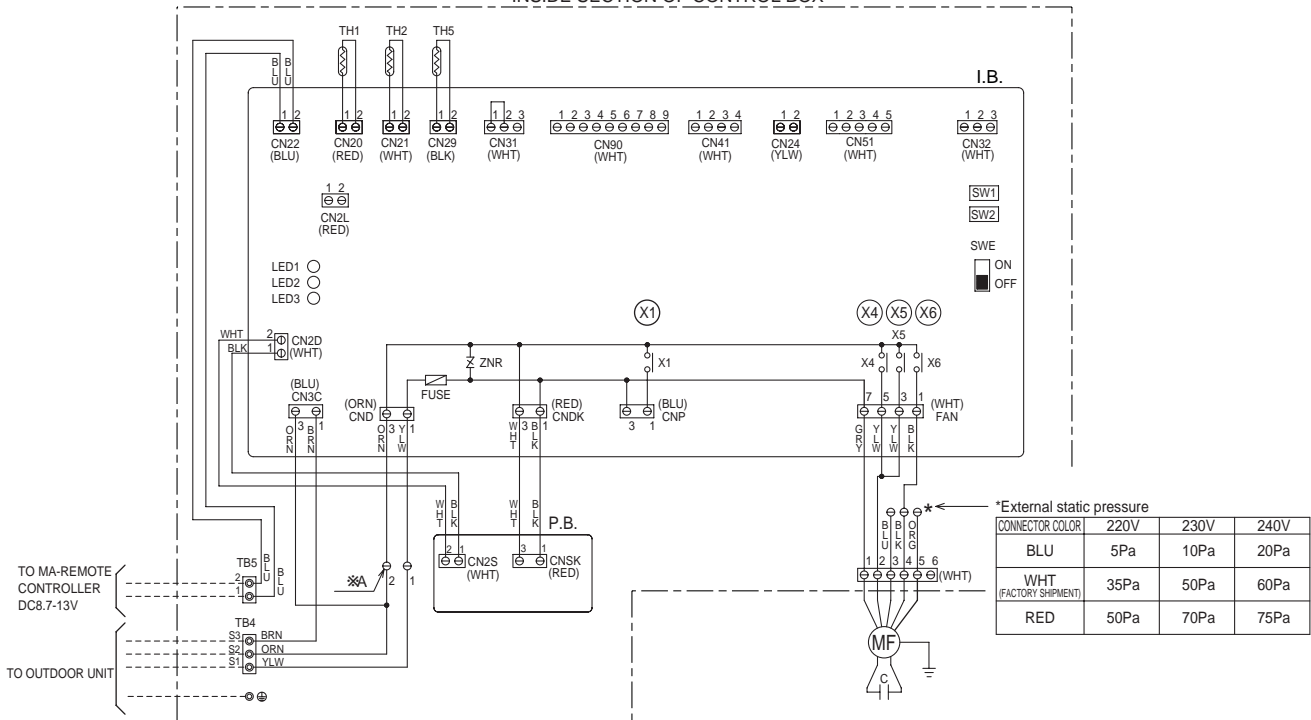
Notes:

1. Symbols used in wiring diagram above are, : Connector, : Terminal (block).
2. Indoor and outdoor connecting wires have polarities, make sure to match terminal numbers (S1, S2, S3) for correct wirings.
3. Since the outdoor side electric wiring may change, be sure to check the outdoor unit electric wiring diagram for servicing.
4. This diagram shows the wiring of indoor and outdoor connecting wires (specification of 230V), adopting superimposed system of power and signal.
 ※1: When work to Supply power separately to indoor and outdoor units was applied, refer to ※A.
 ※2: For power supply system of this unit, refer to the caution label located near this diagram.

PEAD-RP60GA PEAD-RP71GA PEAD-RP100GA

SYMBOL	NAME	SYMBOL	NAME	SYMBOL	NAME
I.B.	INDOOR CONTROLLER BOARD	SW1	SWITCH(MODEL SELECTION)	TB5	TERMINAL BLOCK(REMOTE CONTROLLER)
FUSE	FUSE(T6.3AL250V)	SW2	SWITCH(CAPACITY CORD)	TH1	INTAKE AIR TEMP.THERMISTOR (0°C /15kΩ,25°C /5.4kΩ DETECT)
ZNR	VARISTOR	SWE	SWITCH(EMERGENCY OPERATION)	TH2	PIPE TEMP. THERMISTOR/LIQUID (0°C /15kΩ,25°C /5.4kΩ DETECT)
CN2L	CONNECTOR(LOSSNAY)	X1	RELAY(DRAIN PUMP)	TH5	COND./EVA. TEMP. THERMISTOR (0°C /15kΩ,25°C /5.4kΩ DETECT)
CN24	CONNECTOR(HEATER)	X4	RELAY(FAN MOTOR)		
CN32	CONNECTOR(REMOTE SWITCH)	X5	RELAY(FAN MOTOR)		
CN41	CONNECTOR(HA TERMINAL-A)	X6	RELAY(FAN MOTOR)		
CN51	CONNECTOR(CENTRALLY CONTROL)	P.B.	INDOOR POWER BOARD		
CN90	CONNECTOR(WIRELESS)	C	CAPACITOR(FAN MOTOR)		
LED1	POWER SUPPLY(I.B.)	MF	FAN MOTOR		
LED2	POWER SUPPLY(REMOTE CONTROLLER)	TB4	TERMINAL BLOCK (INDOOR/OUTDOOR CONNECTING LINE)		
LED3	TRANSMISSION(INDOOR*OUTDOOR)				

INSIDE SECTION OF CONTROL BOX



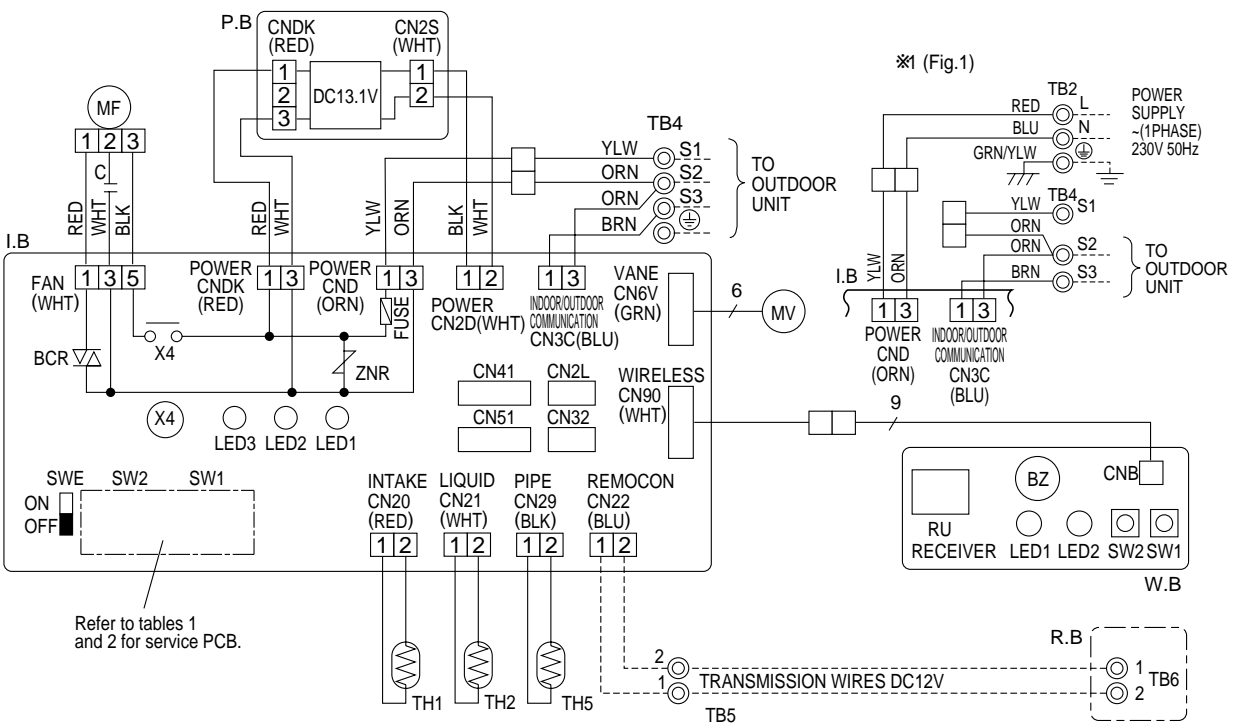
MODELS	SW1	SW2
	Model selection switch	Capacity cord switch
60GA	1 2 3 4 5 ON OFF	1 2 3 4 5 ON OFF
71GA	1 2 3 4 5 ON OFF	1 2 3 4 5 ON OFF
100GA	1 2 3 4 5 ON OFF	1 2 3 4 5 ON OFF

Notes:

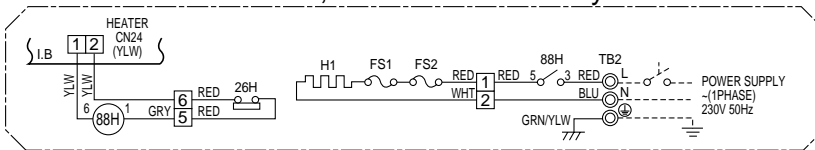
- Symbols used in wiring diagram above are, : Connector, : Terminal (block).
- Indoor and outdoor connecting wires have polarities, make sure to match terminal numbers (S1, S2, S3) for correct wirings.
- Since the outdoor side electric wiring may change, be sure to check the outdoor unit electric wiring diagram for servicing.
- This diagram shows the wiring of indoor and outdoor connecting wires (specification of 230V), adopting superimposed system of power and signal.
 - ※1: When work to Supply power separately to indoor and outdoor units was applied, refer to ※A.
 - ※2: For power supply system of this unit, refer to the caution label located near this diagram.

PKA-RP35GAL PKA-RP50GAL

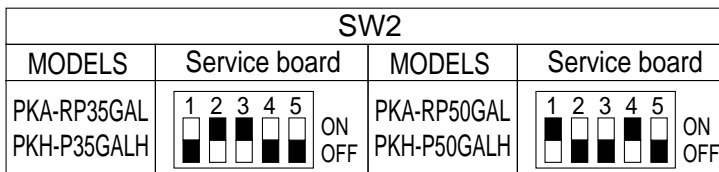
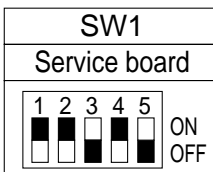
SYMBOL	NAME	SYMBOL	NAME	SYMBOL	NAME
P.B	INDOOR POWER BOARD	C	CAPACITOR <FAN MOTOR>	W.B	WIRELESS REMOTE CONTROLLER BOARD
I.B	INDOOR CONTROLLER BOARD	MF	FAN MOTOR	RU	RECEIVING UNIT
FUSE	FUSE (T6.3AL250V)	MV	VANE MOTOR	BZ	BUZZER
ZNR	VARIATOR	TB2	TERMINAL BLOCK (HEATER) *PKH-P.GALH models only or option for PKA-RP.GAL models.	LED1	LED <RUN INDICATOR>
CN2L	CONNECTOR <LOSSNAY>	TB4	TERMINAL BLOCK <INDOOR/ OUTDOOR CONNECTING LINE>	LED2	LED <HOT ADJUST>
CN32	CONNECTOR <REMOTE SWITCH>	TB5,TB6	TERMINAL BLOCK <REMOTE CONTROLLER TRANSMISSION LINE> <OPTION>	SW1	SWITCH (HEATING ON/ OFF)
CN41	CONNECTOR <HA TERMINAL-A>			SW2	SWITCH (COOLING ON/ OFF)
CN51	CONNECTOR <CENTRALLY CONTROL>			R.B	WIRED REMOTE CONTROLLER BOARD
SW1	SWITCH <MODEL SELECTION>*See Table 1.	TH1	ROOM TEMP.THERMISTOR <0°C/ 15kΩ, 25°C/ 5.4kΩ DETECT>	HEATER	
SW2	SWITCH <CAPACITY CODE>*See Table 2.	TH2	PIPE TEMP.THERMISTOR/ LIQUID <0°C/ 15kΩ, 25°C/ 5.4kΩ DETECT>	FS1	THERMAL FUSE <104°C 10A>
SWE	SWITCH <EMERGENCY OPERATION>	TH5	COND./ EVA.TEMP.THERMISTOR <0°C/ 15kΩ, 25°C/ 5.4kΩ DETECT>	FS2	THERMAL FUSE <84°C 10A>
X4	RELAY <FAN MOTOR>			H1	HEATER
BCR	FAN CONTROL ELEMENT			26H	HEATER THERMAL SWITCH
LED1	POWER SUPPLY <I.B>			88H	HEATER CONTACTOR
LED2	POWER SUPPLY <R.B>				
LED3	TRANSMISSION <INDOOR-OUTDOOR>				



PKH-P35,50GALH models only



Please set the voltage using the remote controller. For the setting method, please refer to the indoor unit Installation Manual.



Notes:

1. Symbols used in wiring diagram above are, □□□: Connector, ⊙: Terminal (block).
 2. Indoor and outdoor connecting wires have polarities, make sure to match terminal numbers (S1, S2, S3) for correct wirings.
 3. Since the outdoor side electric wiring may change, be sure to check the outdoor unit electric wiring diagram for servicing.
 4. This diagram shows the wiring of indoor and outdoor connecting wires (specification of 230V), adopting superimposed system of power and signal.
- *1: When work to Supply power separately to indoor and outdoor units was applied, refer to Fig 1.
 *2: For power supply system of this unit, refer to the caution label located near this diagram.

PKA-RP50FAL2 PKA-RP60FAL PKA-RP71FAL PKA-RP100FAL

SYMBOL	NAME	SYMBOL	NAME	SYMBOL	NAME
P.B	INDOOR POWER BOARD	C	CAPACITOR(FAN MOTOR)	W.B	WIRELESS REMOTE CONTROLLER BOARD
I.B	INDOOR CONTROLLER BOARD	MF	FAN MOTOR	RU	RECEIVING UNIT
FUSE	FUSE(T6.3AL250V)	MV	VANE MOTOR	BZ	BUZZER
ZNR	VARIABLE	TB2	TERMINAL BLOCK (HEATER) ※PKH-P.FALH models only or option for PKA-RP.FALH models.	LED1	LED(RUN INDICATOR)
CN2L	CONNECTOR(LOSSNAY)	TB4	TERMINAL BLOCK(INDOOR/OUTDOOR CONNECTING LINE)	LED2	LED(HOT ADJUST)
CN32	CONNECTOR(REMOTE SWITCH)	TB5	TERMINAL BLOCK(REMOTE CONTROLLER TRANSMISSION LINE)(OPTION)	SW1	SWITCH(HEATING ON/OFF)
CN41	CONNECTOR(HA TERMINAL-A)	TH1	ROOM TEMP.THERMISTOR (0°C/15kΩ, 25°C/5.4kΩ DETECT)	SW2	SWITCH(COOLING ON/OFF)
CN51	CONNECTOR(CENTRALLY CONTROL)	TH2	PIPE TEMP.THERMISTOR/LIQUID (0°C/15kΩ, 25°C/5.4kΩ DETECT)	R.B	WIREDREMOTE CONTROLLER BOARD(OPTION)
SW1	SWITCH (MODEL SELECTION) ※ See Table 1.	TH5	COND./EVA.TEMP.THERMISTOR (0°C/15kΩ, 25°C/5.4kΩ DETECT)	TB6	TERMINAL BLOCK(REMOTE CONTROLLER TRANSMISSION LINE)
SW2	SWITCH (CAPACITY CODE) ※ See Table 2.			HEATER	
SWE	SWITCH(EMERGENCY OPERATION)			FS1,2	THERMAL FUSE(117°C 10A:60,71FALH/ 117°C 16A:100FALH)
X4	RELAY(FAN MOTOR)			H1	HEATER
BCR	FAN CONTROL ELEMENT			26H	HEATER THERMAL SWITCH
LED1	POWER SUPPLY(L.B)			88H	HEATER CONTACTOR
LED2	POWER SUPPLY(R.B)				
LED3	TRANSMISSION(INDOOR-OUTDOOR)				

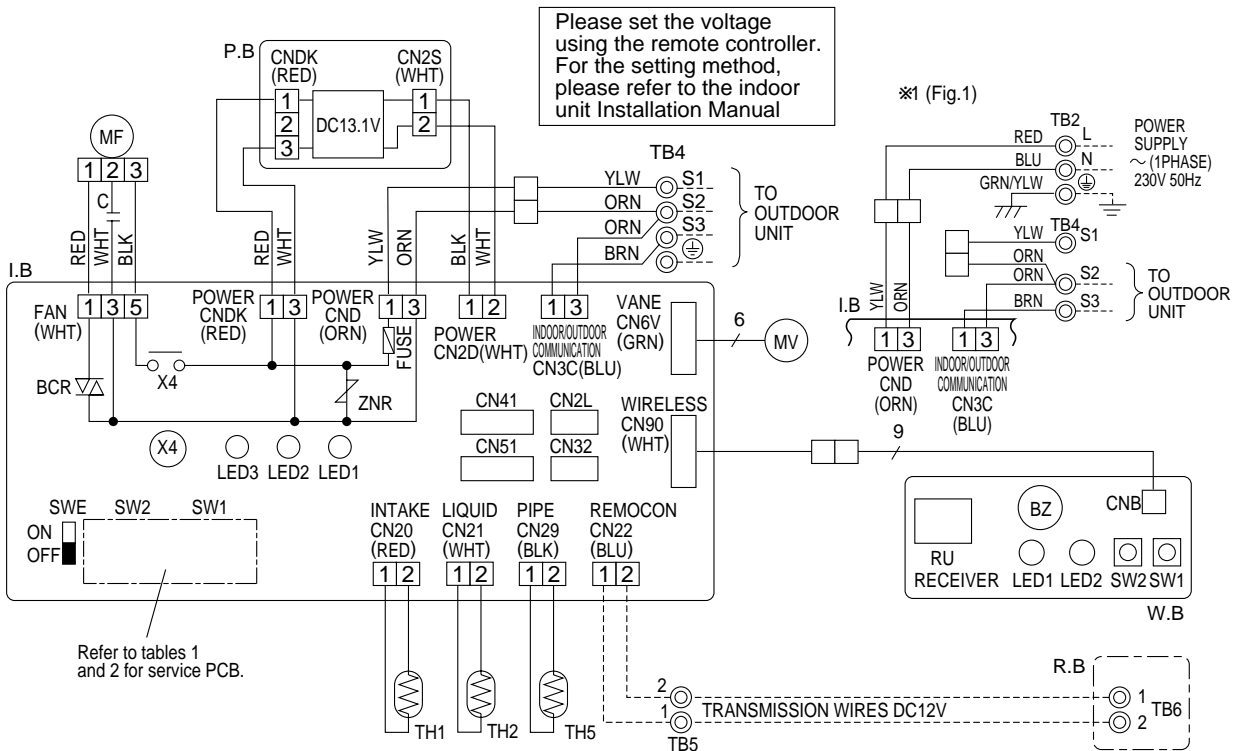


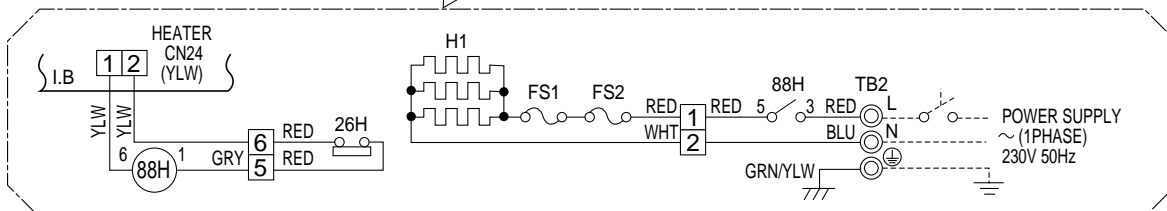
Table 1

SW1	Service board
1 2 3 4 5	ON OFF

Table 2

MODELS		Service board		MODELS		Service board		MODELS		Service board		
PKA-RP50FAL2	PKA-RP60FAL	PKH-P60FALH	1 2 3 4 5	ON OFF	PKA-RP71FAL	PKH-P71FALH	1 2 3 4 5	ON OFF	PKA-RP100FAL	PKH-P100FALH	1 2 3 4 5	ON OFF

PKH-P60 ~ P100FALH models only



Notes:

- Symbols used in wiring diagram above are, □: Connector, ⊙: Terminal (block).
 - Indoor and outdoor connecting wires have polarities, make sure to match terminal numbers (S1, S2, S3) for correct wirings.
 - Since the outdoor side electric wiring may change, be sure to check the outdoor unit electric wiring diagram for servicing.
 - This diagram shows the wiring of indoor and outdoor connecting wires (specification of 230V), adopting superimposed system of power and signal.
- ※1: When work to Supply power separately to indoor and outdoor units was applied, refer to Fig. 1.
 ※2: For power supply system of this unit, refer to the caution label located near this diagram.

PCA-RP50GA PCA-RP50GA2 PCA-RP60GA PCA-RP71GA
 PCA-RP100GA PCA-RP125GA PCA-RP140GA

SYMBOL	NAME	SYMBOL	NAME	SYMBOL	NAME
P.B	INDOOR POWER BOARD	MF	FAN MOTOR	W.B	WIRELESS REMOTE CONTROLLER BOARD(OPTION)
I.B	INDOOR CONTROLLER BOARD	MV	VANE MOTOR	RU	RECEIVING UNIT
	FUSE (T6.3AL/250V)	DP	DRAIN-UP MACHINE (OPTION)	BZ	BUZZER
	ZNR	DS	DRAIN SENSOR (OPTION)	LED1	LED(RUN INDICATOR)
	CN2L	TB2	TERMINAL BLOCK (HEATER) *PCH-P.GAH models only or option for PCA RP.GA models.	LED2	LED(HOT ADJUST)
	CN32	TB4	TERMINAL BLOCK(INDOOR/OUTDOOR CONNECTING LINE)	SW1	SWITCH(HEATING ON/OFF)
	CN41	TB5, TB6	TERMINAL BLOCK(REMOTE CONTROLLER TRANSMISSION LINE)	SW2	SWITCH(COOLING ON/OFF)
	CN51	TH1	ROOM TEMP.THERMISTOR (0°C/15kΩ, 25°C/5.4kΩ DETECT)	HEATER	
	SW1	TH2	PIPE TEMP.THERMISTOR/LIQUID (0°C/15kΩ, 25°C/5.4kΩ DETECT)	FS1,2	THERMAL FUSE(98°C:10A:50GAH/117°C:16A:100GAH/110°C:16A:60.71,125:140GAH)
	SW2	TH5	COND./EVA.TEMP.THERMISTOR (0°C/15kΩ, 25°C/5.4kΩ DETECT)	H1	HEATER
	SWE	R.B	WIRED REMOTE CONTROLLER BOARD	26H	HEATER THERMAL SWITCH
	X1			88H	HEATER CONTACTOR
	X4				
	BCR				
	LED1				
	LED2				
	LED3				
C	CAPACITOR(FAN MOTOR)				

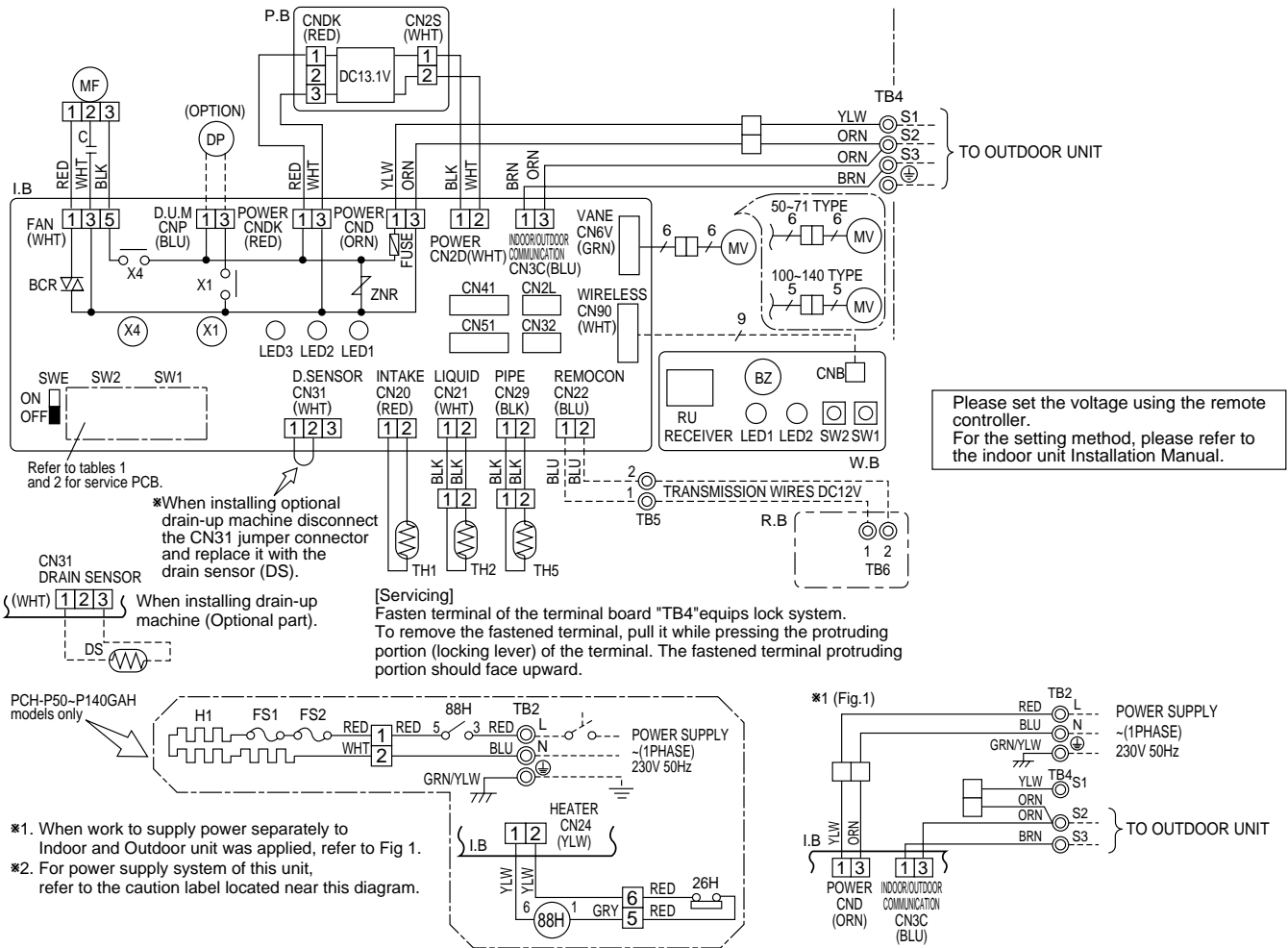


Table 1

MODELS	SW1				
	1	2	3	4	5
PCA-RP.GA	ON	OFF	OFF	OFF	OFF
PCH-P.GAH	ON	OFF	OFF	OFF	OFF

Table 2

MODELS	SW2				
	1	2	3	4	5
PCA-RP50GA	ON	OFF	OFF	OFF	OFF
PCH-P50GAH	ON	OFF	OFF	OFF	OFF
PCA-RP50GA2	ON	OFF	OFF	OFF	OFF
PCA-RP60GA	ON	OFF	OFF	OFF	OFF
PCH-P60GAH	ON	OFF	OFF	OFF	OFF
PCA-RP71GA	ON	OFF	OFF	OFF	OFF
PCH-P71GAH	ON	OFF	OFF	OFF	OFF

Notes:

- Symbols used in wiring diagram above are, □□□: Connector, ⊙: Terminal (block).
 - Indoor and outdoor connecting wires have polarities, make sure to match terminal numbers (S1, S2, S3) for correct wirings.
 - Since the outdoor side electric wiring may change, be sure to check the outdoor unit electric wiring diagram for servicing.
 - This diagram shows the wiring of indoor and outdoor connecting wires (specification of 230V), adopting superimposed system of power and signal.
- *1: When work to Supply power separately to indoor and outdoor units was applied, refer to Fig 1.
 *2: For power supply system of this unit, refer to the caution label located near this diagram.

PCA-RP71HA PCA-RP125HA

[LEGEND]

SYMBOL	NAME	SYMBOL	NAME
P. B	INDOOR POWER BOARD	MF1, MF2	FAN MOTOR
I. B	INDOOR CONTROLLER BOARD	C1, C2	CAPACITOR(FAN MOTOR)
FUSE	FUSE (T6.3AL250V)	H2	DEW PREVENTION HEATER
ZNR	VARISTOR	TB2	TERMINAL BLOCK(INDOOR UNIT POWER (OPTION))
CN2L	CONNECTOR (LOSSNAY)	TB4	TERMINAL BLOCK(INDOOR/OUTDOOR CONNECTING LINE)
CN32	CONNECTOR (REMOTE SWITCH)	TB5, TB6	TERMINAL BLOCK(REMOTE CONTROLLER TRANSMISSION LINE)
CN41	CONNECTOR (HA TERMINAL-A)	TH1	ROOM TEMP.THERMISTOR (0°C/15kΩ, 25°C/5.4kΩ DETECT)
CN51	CONNECTOR (CENTRALLY CONTROLL)	TH2	PIPE TEMP.THERMISTOR/LIQUID (0°C/15kΩ, 25°C/5.4kΩ DETECT)
LED1	POWER SUPPLY (I. B)	TH5	COND./ EVA.TEMP.THERMISTOR (0°C/15kΩ, 25°C/5.4kΩ DETECT)
LED2	POWER SUPPLY (R. B)	R. B	WIRED REMOTE CONTROLLER BOARD
LED3	TRANSMISSION(INDOOR-OUTDOOR)		
X1	RELAY (DEW PREVENTION HEATER)		
X4	RELAY(FAN MOTOR)		
X5	RELAY(FAN MOTOR)		
X6	RELAY(FAN MOTOR)		
SW1	SWITCH (MODEL SELECTION) ※See Table 1.		
SW2	SWITCH (CAPACITY CODE) ※See Table 2.		
SWE	SWITCH (EMERGENCY OPERATION)		

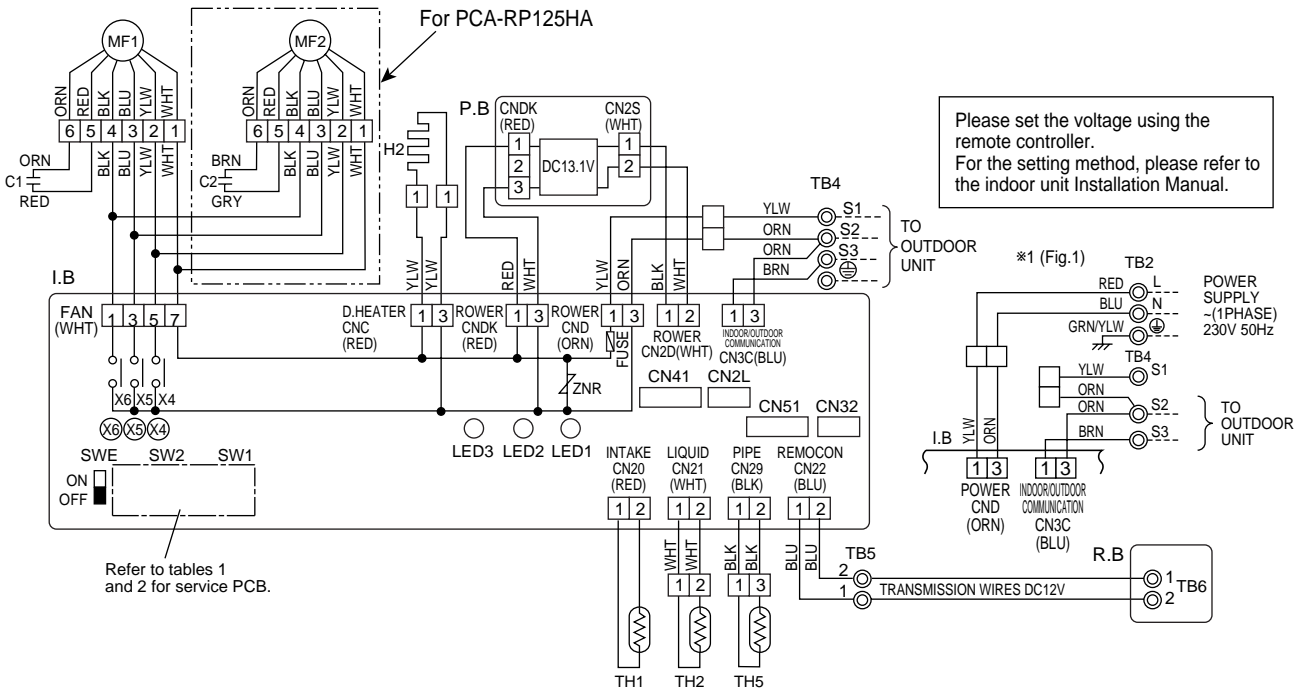


Table 1

SW1					
Service board					
1	2	3	4	5	ON/OFF
ON	OFF	ON	OFF	ON	OFF

Table 2

SW2							
MODELS				Service board			
1	2	3	4	5	ON/OFF	1	2
PCA-RP71HA	ON	OFF	PCA-RP125HA	ON	OFF	ON	OFF

- Notes:
- Symbols used in wiring diagram above are, □: Connector, ⊙: Terminal (block).
 - Indoor and outdoor connecting wires have polarities, make sure to match terminal numbers (S1, S2, S3) for correct wirings.
 - Since the outdoor side electric wiring may change, be sure to check the outdoor unit electric wiring diagram for servicing.
 - This diagram shows the wiring of indoor and outdoor connecting wires (specification of 230V), adopting superimposed system of power and signal.
 - *1: When work to Supply power separately to indoor and outdoor units was applied, refer to Fig 1.
 - *2: For power supply system of this unit, refer to the caution label located near this diagram.

PSA-RP71GA PSA-RP100GA PSA-RP125GA PSA-RP140GA

SYMBOL	NAME	SYMBOL	NAME	SYMBOL	NAME
P.B	INDOOR POWER BOARD	I.B	INDOOR CONTROLLER BOARD	C	CAPACITOR (FAN MOTOR)
FUSE	FUSE (T6.3AL250V)	SW1	SWITCH (MODEL SELECTION)※See Table 1.	MF	FAN MOTOR
ZNR	VARISTOR	SW2	SWITCH (CAPACITY CODE)※See Table 2.	SWE	SWITCH (EMERGENCY OPERATION)
CN2L	CONNECTOR (LOSSNAY)	X2	RELAY (LOUVER)	X4	RELAY (FAN MOTOR)
CN32	CONNECTOR (REMOTE SWITCH)	X5	RELAY (FAN MOTOR)	X6	RELAY (FAN MOTOR)
CN41	CONNECTOR (HA TERMINAL-A)	R.B	WIRED REMOTE CONTROLLER BOARD	TB2	TERMINAL BLOCK (HEATER)※PSH-P.GAH models only or option for PSA-RP.GA models.
CN51	CONNECTOR (CENTRALLY CONTROL)	TB6	TERMINAL BLOCK (REMOTE CONTROLLER TRANSMISSION LINE)	TB4	TERMINAL BLOCK (INDOOR/OUTDOOR CONNECTING LINE)
LED1	POWER SUPPLY (I.B)	TH1	ROOM TEMP.THERMISTOR (0°C/15kΩ, 25°C/5.4kΩ DETECT)	TH2	PIPE TEMP.THERMISTOR/LIQUID (0°C/15kΩ, 25°C/5.4kΩ DETECT)
LED2	POWER SUPPLY (R.B)	TH5	COND./EVA.TEMP.THERMISTOR (0°C/15kΩ, 25°C/5.4kΩ DETECT)		
LED3	TRANSMISSION (INDOOR-OUTDOOR)	HEATER			
		FS1.2	THERMAL FUSE (110°C/16A)		
		H	HEATER		
		26H	HEATER THERMAL SWITCH		
		88H	HEATER CONTACTOR		

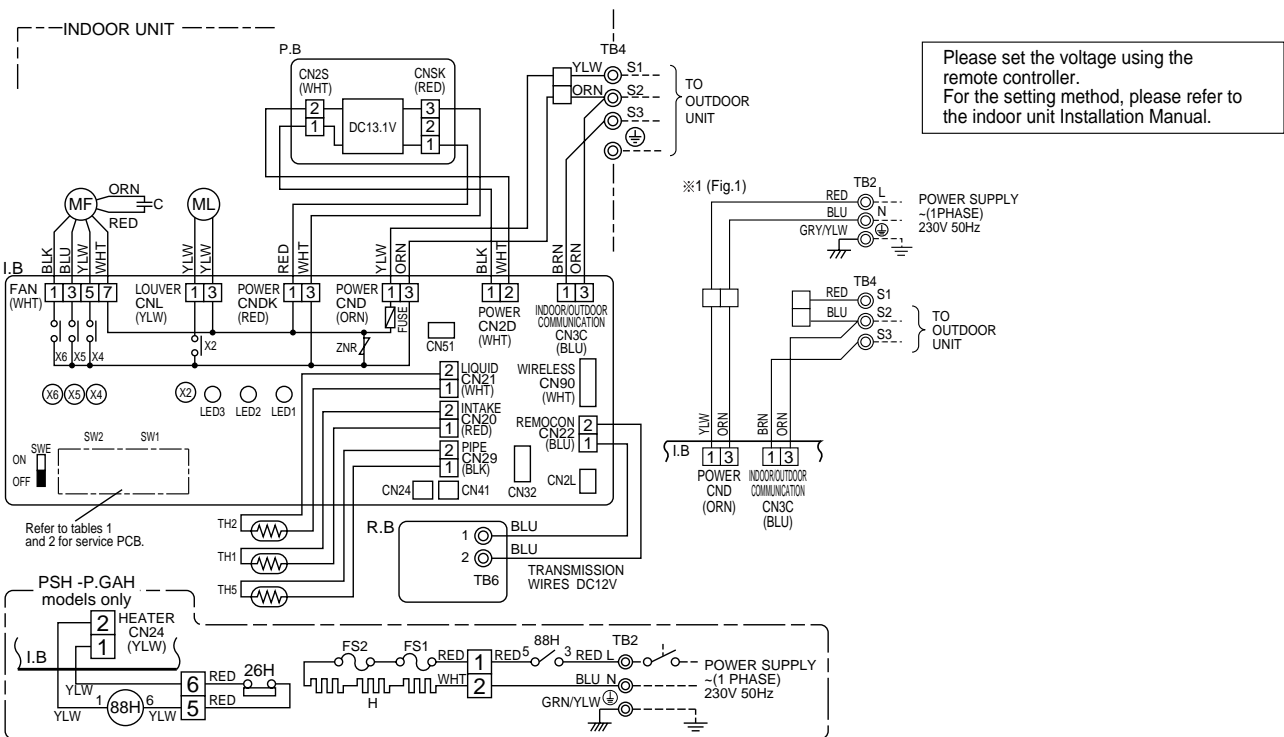


Table 1

SW2	
MODELS	Service board
PSA-RP.GA	1 2 3 4 5 ON
PSH-P.GAH	1 2 3 4 5 OFF

- ※ 1 ; When work to supply power separately to Indoor and Outdoor unit was applied, refer to Fig1.
- ※ 2 ; For power supply system of this unit, refer to the caution label located near this diagram.

Table 2

SW2	
MODELS	Service board
PSA-RP71GA	1 2 3 4 5 ON
PSH-P71GAH	1 2 3 4 5 OFF
PSA-RP100GA	1 2 3 4 5 ON
PSH-P100GAH	1 2 3 4 5 OFF
PSA-RP125GA	1 2 3 4 5 ON
PSH-P125GAH	1 2 3 4 5 OFF
PSA-RP140GA	1 2 3 4 5 ON
PSH-P140GAH	1 2 3 4 5 OFF

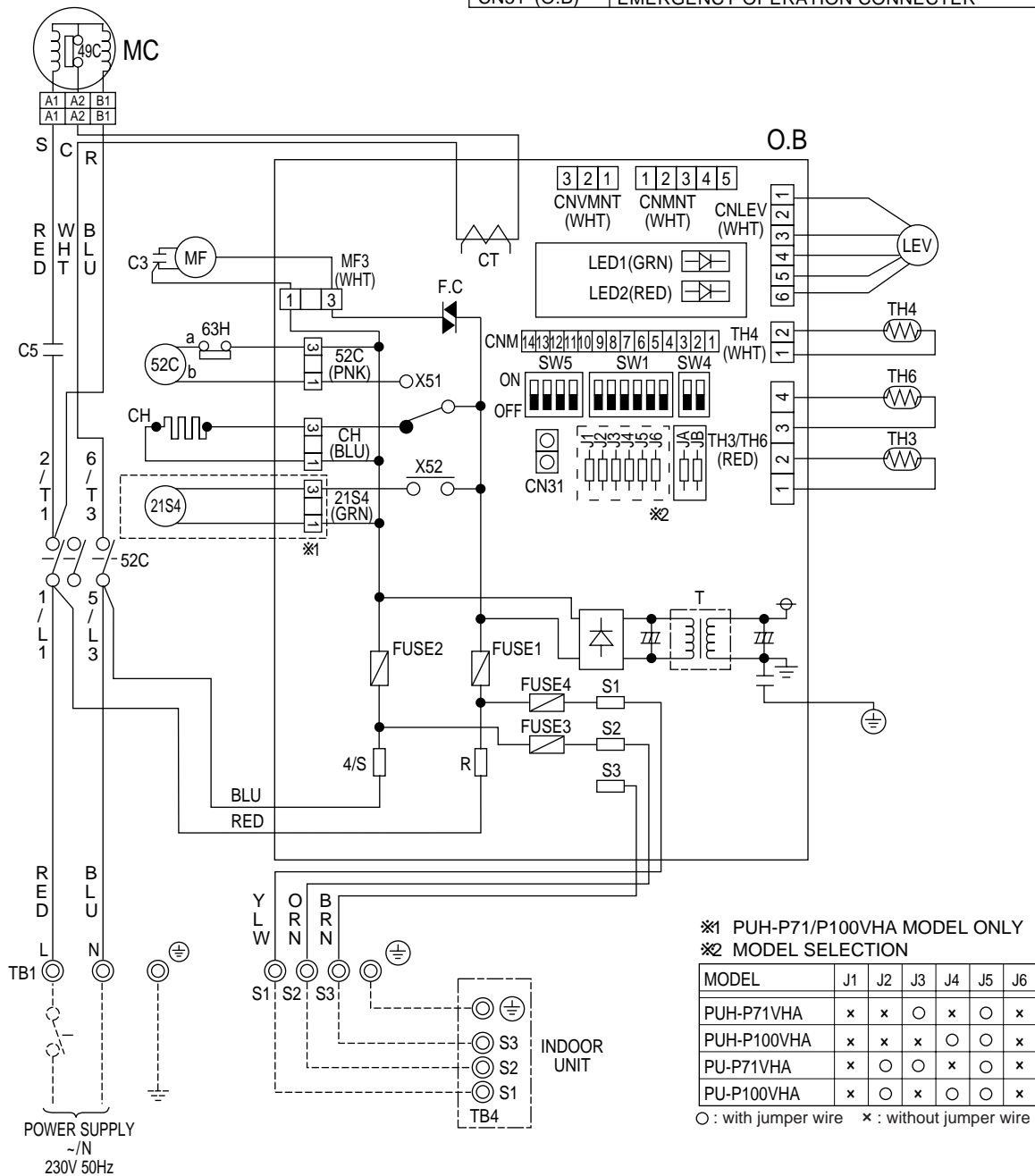
Notes:

- Symbols used in wiring diagram above are, □□□: Connector, ⊙: Terminal (block).
- Indoor and outdoor connecting wires have polarities, make sure to match terminal numbers (S1, S2, S3) for correct wirings.
- Since the outdoor side electric wiring may change, be sure to check the outdoor unit electric wiring diagram for servicing.
- This diagram shows the wiring of indoor and outdoor connecting wires (specification of 230V), adopting superimposed system of power and signal.
 - ※1: When work to Supply power separately to indoor and outdoor units was applied, refer to Fig 1.
 - ※2: For power supply system of this unit, refer to the caution label located near this diagram.

4-2. OUTDOOR UNIT

PUH-P71VHA PU-P71VHA PUH-P100VHA PU-P100VHA

SYMBOL	NAME	SYMBOL	NAME
MC	COMPRESSOR(INNER THERMOSTAT)	FUSE1(O.B)	FUSE (6.3A 250V)
MF	FAN MOTOR(INNER THERMOSTAT)	FUSE2(O.B)	FUSE (6.3A 250V)
TH3	THERMISTOR	FUSE3(O.B)	FUSE (6.3A 250V)
TH4		FUSE4(O.B)	FUSE (6.3A 250V)
TH6			
C3	MF CAPACITOR	X51 (O.B)	MC/CH RELAY
C5	MC CAPACITOR	X52 (O.B)	21S4 RELAY
CH	CRANKCASE HEATER	F.C (O.B)	FAN CONTROLLER
52C	MC CONTACTOR	SW1 (O.B)	GROUP NUMBER ADDRESS
21S4	4-WAY VALVE SOLENOID COIL	SW4 (O.B)	TEST RUN
63H	HIGH PRESSURE PROTECT SWITCH	SW5 (O.B)	FUNCTION SELECTION
49C	INNER THERMOSTAT FOR MC	JA,JB (O.B)	JUMPER WIRE
TB1	TERMINAL BLOCK	J1~J6 (O.B)	MODEL SELECTION ※ 2
LEV	LINEAR EXPANSION VALVE	T (O.B)	TRANSFORMER
O.B	OUTDOOR CONTROLLER BOARD	CT (O.B)	CURRENT TRANS
		LED1 (O.B)	OPERATION CHECK DISPLAY LED
		LED2 (O.B)	OPERATION CHECK DISPLAY LED
		CN31 (O.B)	EMERGENCY OPERATION CONNECTER

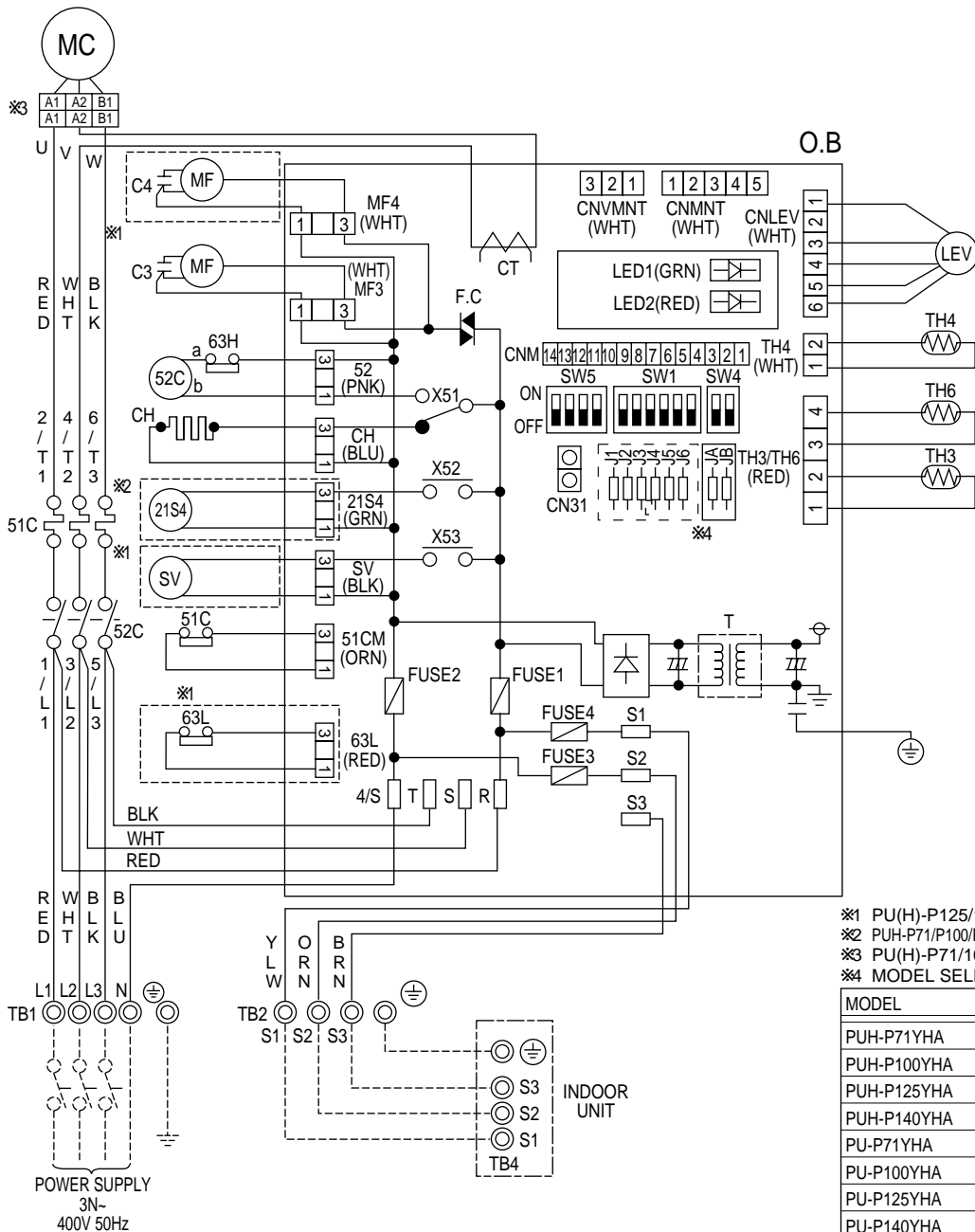


<Notes when servicing>

Some fastening terminals have a lock mechanism:When removing the fastening terminal, push the projection (locking lever)on a terminal with your finger and pull it out.

PUH-P71YHA PUH-P100YHA PUH-P125YHA PUH-P140YHA
PU-P71YHA PU-P100YHA PU-P125YHA PU-P140YHA

SYMBOL	NAME	SYMBOL	NAME
MC	COMPRESSOR	FUSE1(O.B)	FUSE (6.3A 250V)
MF	FAN MOTOR(INNER THERMOSTAT)	FUSE2(O.B)	FUSE (6.3A 250V)
TH3	THERMISTOR	FUSE3(O.B)	FUSE (6.3A 250V)
TH4		FUSE4(O.B)	FUSE (6.3A 250V)
TH6		X51 (O.B)	MC/CH RELAY
C3	MF CAPACITOR	X52 (O.B)	21S4 RELAY
C4	MF CAPACITOR	X53 (O.B)	SV RELAY
CH	CRANKCASE HEATER	F.C (O.B)	FAN CONTROLLER
52C	MC CONTACTOR	SW1 (O.B)	GROUP NUMBER ADDRESS
21S4	4-WAY VALVE SOLENOID COIL	SW4 (O.B)	TEST RUN
SV	BYPASS VALVE SOLENOID COIL	SW5 (O.B)	FUNCTION SELECTION
63H	HIGH PRESSURE PROTECT SWITCH	JA,JB(O.B)	JUMPER WIRE
51C	THERMAL RELAY	J1-J6 (O.B)	MODEL SELECTION ※4
TB1	TERMINAL BLOCK	T (O.B)	TRANSFORMER
LEV	LINEAR EXPANSION VALVE	CT (O.B)	CURRENT TRANS
TB2	TERMINAL BLOCK	LED1 (O.B)	OPERATION CHECK DISPLAY LED
63L	LOW PRESSURE PROTECT SWITCH	LED2 (O.B)	OPERATION CHECK DISPLAY LED
O.B	OUTDOOR CONTROLLER BOARD	CN31 (O.B)	EMERGENCY OPERATION CONNECTER



※1 PU(H)-P125/140YHA MODEL ONLY
 ※2 PUH-P71/P100/P125/P140YHA MODEL ONLY
 ※3 PU(H)-P71/100YHA MODEL ONLY
 ※4 MODEL SELECTION

MODEL	J1	J2	J3	J4	J5	J6
PUH-P71YHA	○	×	○	×	○	×
PUH-P100YHA	○	×	×	○	○	×
PUH-P125YHA	○	×	○	○	○	○
PUH-P140YHA	○	×	×	×	×	○
PU-P71YHA	○	○	○	×	○	×
PU-P100YHA	○	○	×	○	○	×
PU-P125YHA	○	○	○	○	○	×
PU-P140YHA	○	○	×	×	×	○

<Notes when servicing>
 Some fastening terminals have a lock mechanism:When removing the fastening terminal, push the projection(locking lever)on a terminal with your finger and pull it out.
 ○ : with jumper wire × : without jumper wire

5

REFRIGERANT SYSTEM DIAGRAM

5-1. INDOOR UNIT

PLA-RP-BA

PLA-RP-AA(2)

PMH-P-BA

PEAD-RP-EA(2)

PEAD-RP-GA

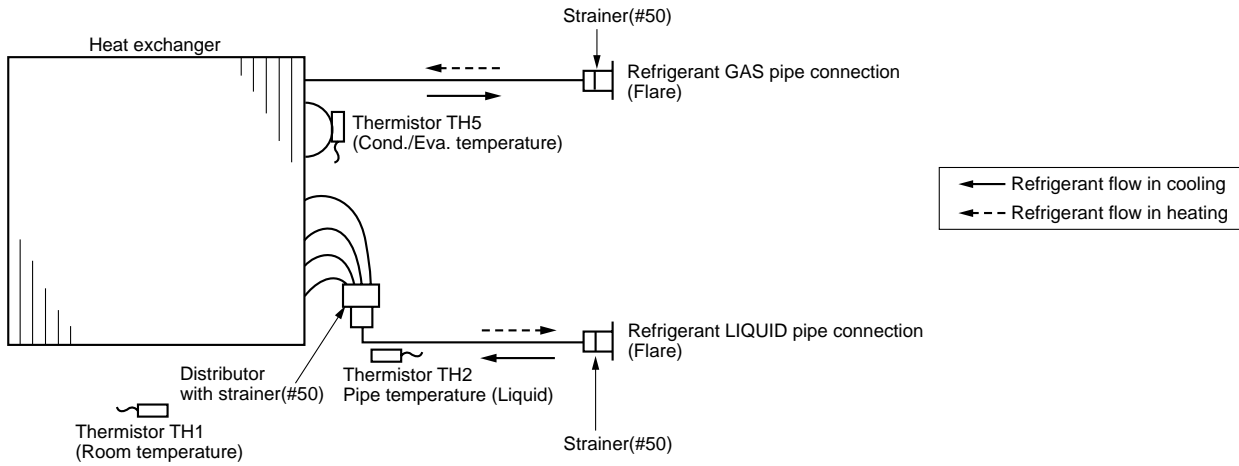
PKA-RP-GAL

PKA-RP-FAL(2)

PCA-RP-GA(2)

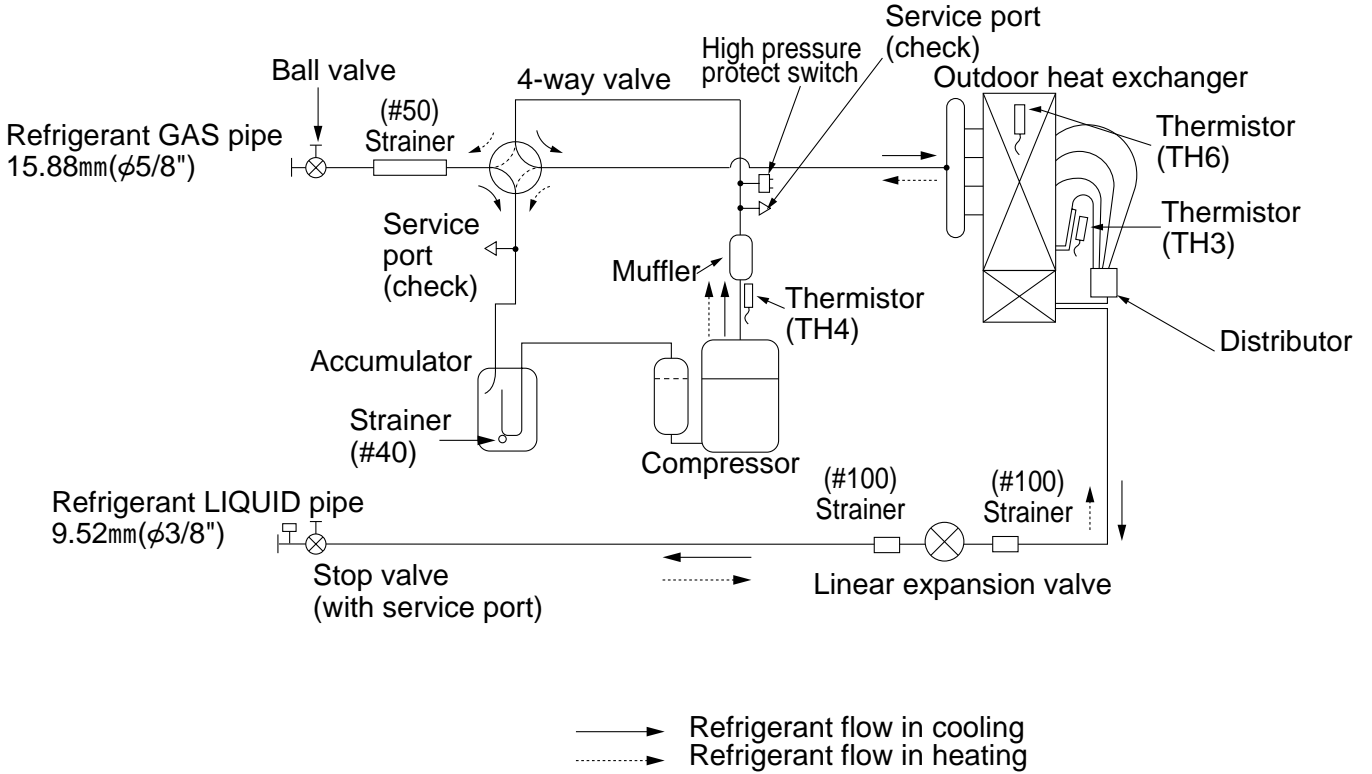
PCA-RP-HA

PSA-RP-GA

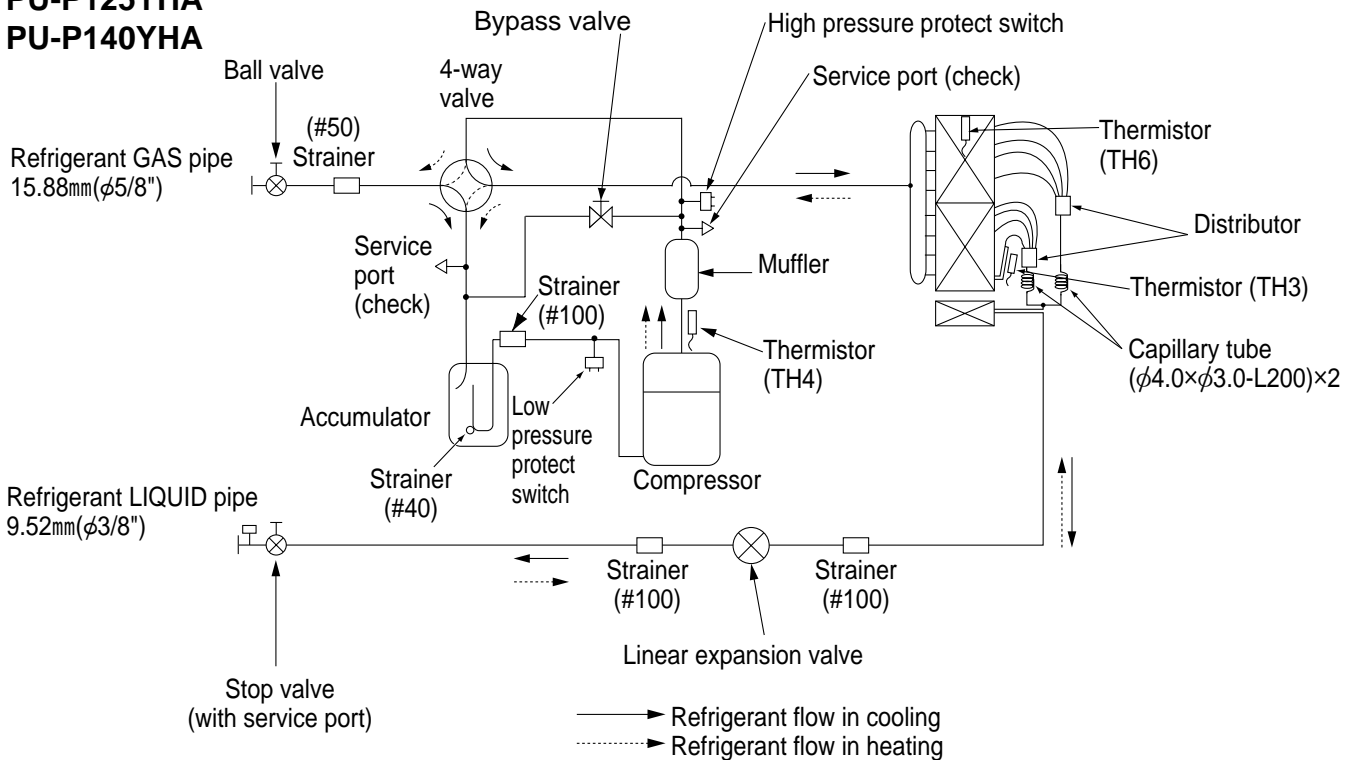


5-2. OUTDOOR UNIT

PUH-P71VHA PUH-P100VHA
PUH-P71YHA PUH-P100YHA
PU-P71VHA PU-P100VHA
PU-P71YHA PU-P100YHA



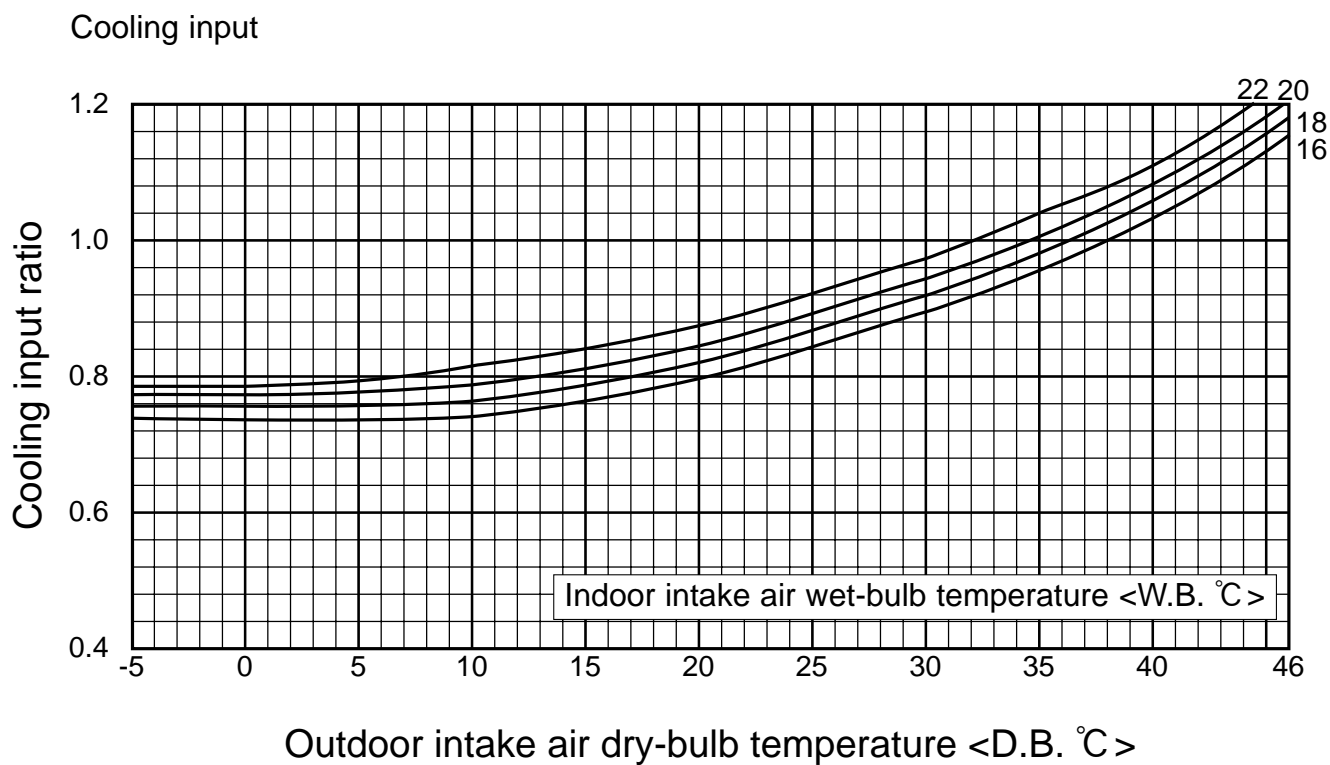
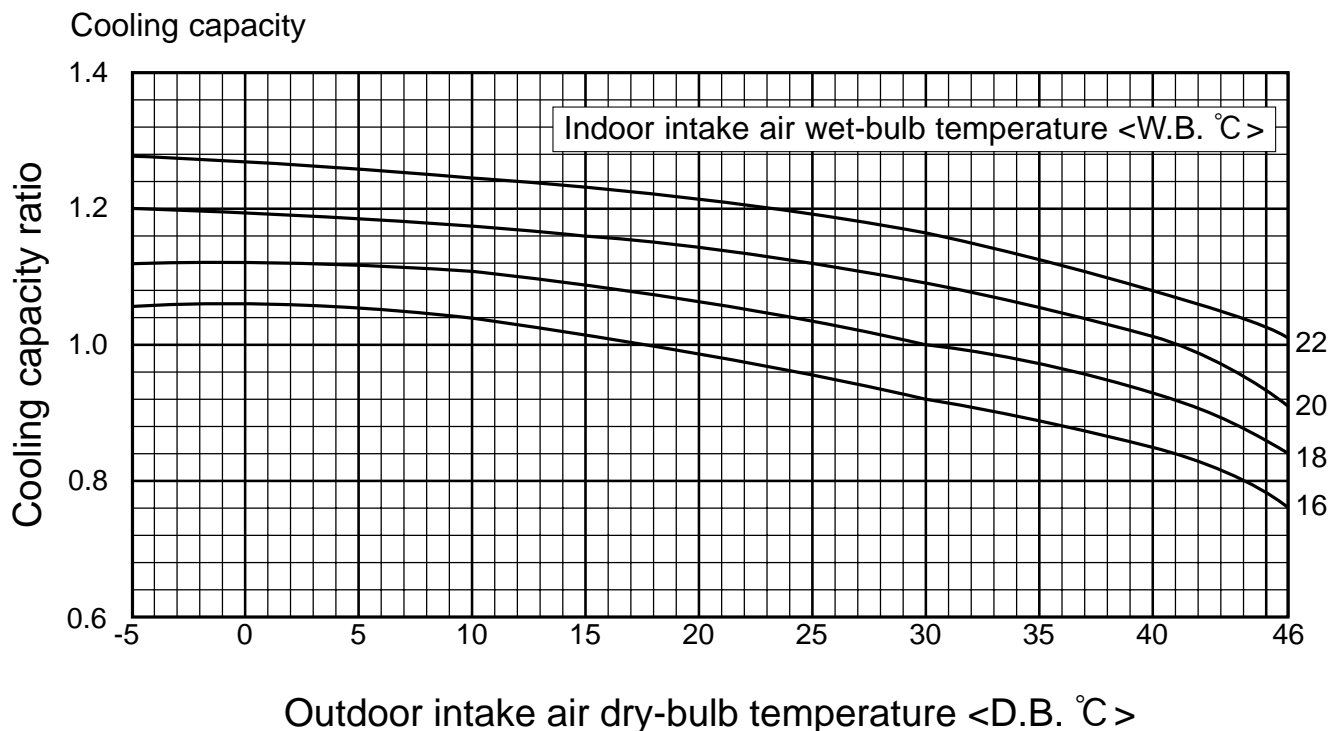
PUH-P125YHA
PUH-P140YHA
PU-P125YHA
PU-P140YHA



6

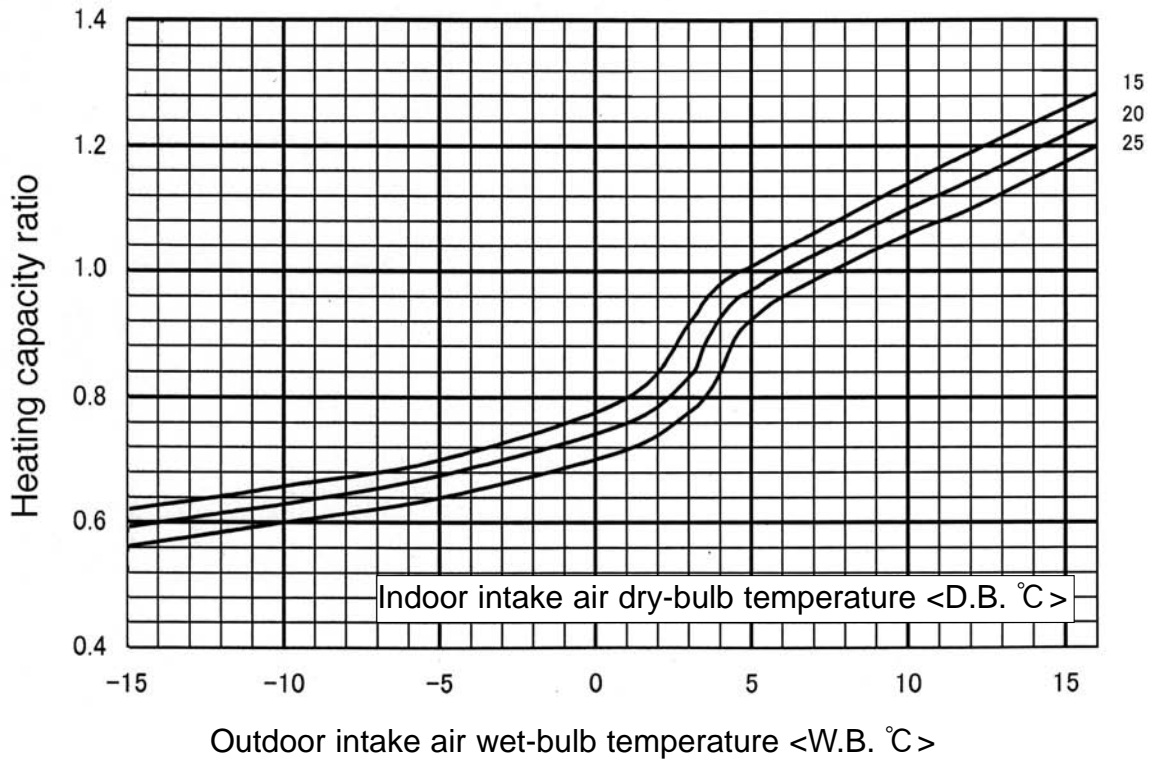
PERFORMANCE CURVES

6-1. FOR THE COMBINATION OF OUTDOOR UNIT

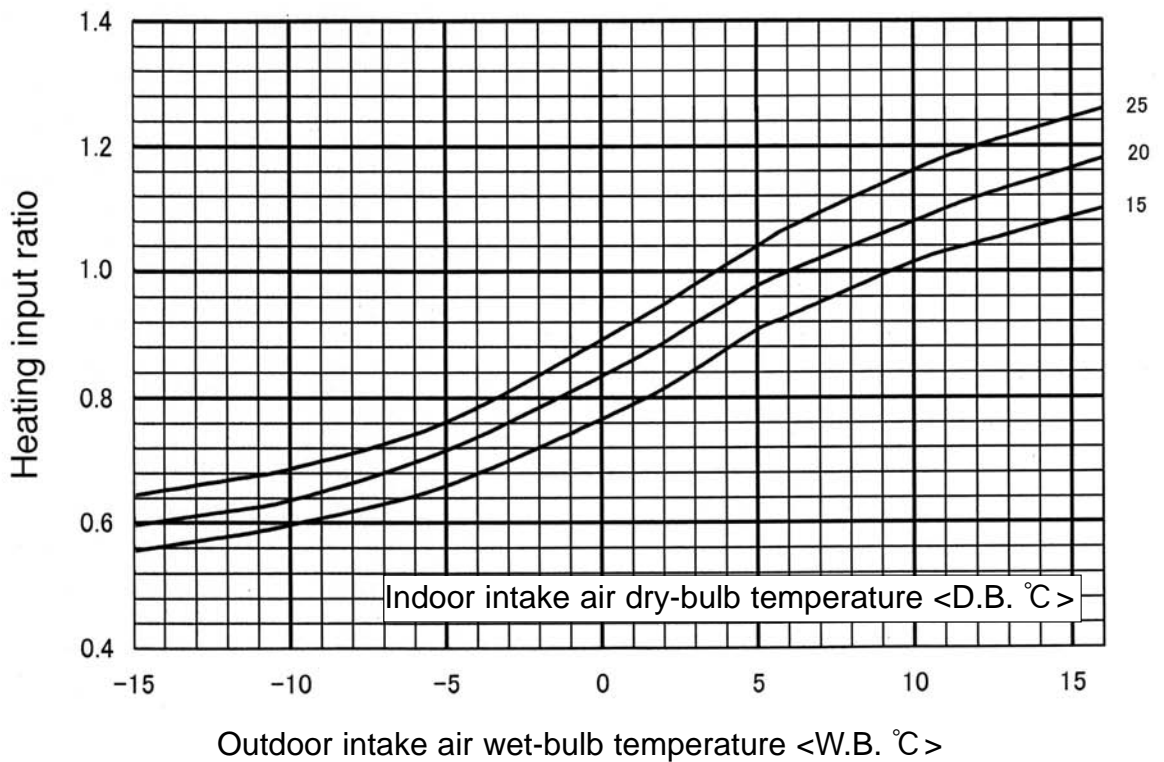




Heating capacity



Heating input



7-1. COOLING CAPACITY CORRECTION FACTORS

Outdoor unit	Refrigerant piping length (one way)						
	5m	10m	20m	30m	40m	50m	55m
PU(H)-P71VHA PU(H)-P71YHA	1.00	0.988	0.966	0.946	0.929	0.913	0.905
PU(H)-P100VHA PU(H)-P100YHA	1.00	0.985	0.957	0.931	0.908	0.886	0.876
PU(H)-P125YHA	1.00	0.981	0.946	0.914	0.885	0.858	0.845
PU(H)-P140YHA	1.00	0.976	0.931	0.893	0.858	0.827	0.813

7-2. HEATING CAPACITY CORRECTION FACTORS

Outdoor unit	Refrigerant piping length (one way)						
	5m	10m	20m	30m	40m	50m	55m
PUH-P71VHA PUH-P71YHA	1.00	0.997	0.991	0.985	0.979	0.973	0.970
PUH-P100VHA PUH-P100YHA	1.00	0.997	0.991	0.985	0.979	0.973	0.970
PUH-P125YHA	1.00	0.997	0.991	0.985	0.979	0.973	0.970
PUH-P140YHA	1.00	0.997	0.991	0.985	0.979	0.973	0.970

8-1. PIPE LENGTH

8-1-1. 1:1 SYSTEM

Pipe length

<Table 1> Maximum pipe length

Liquid pipe (mm)	OD	φ6.35			φ9.52			φ12.7	
	Thickness	t0.8			t0.8			t0.8	
Gas pipe (mm)	OD	φ9.52	φ12.7	φ15.88	φ12.7	φ15.88	φ19.05	φ15.88	φ19.05
	Thickness	t0.8	t0.8	t1.0	t0.8	t1.0	t1.0	t1.0	t1.0
P71		□ 10m [10m]	○ 10m [10m]	□ 30m [30m]	Standard size 50m [30m]			△ 30m [20m]	
P100,P125,P140					Standard size 50m [30m]			△ 40m [20m]	

<Marks in the table>

- : It can be used.
- : Cooling capacity is lowered.
- △: Additional refrigerant charge is required when the pipe length exceeds 20m.
- 50m — The maximum pipe length
- [30m] — Charge-less pipe length

8-1-2. TWIN AND TRIPLE SYSTEM

(1) TWIN SYSTEM

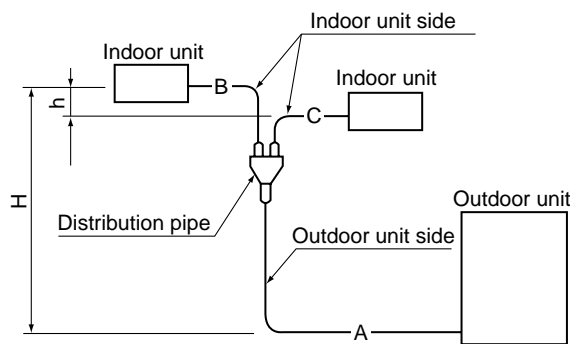
<Table 2> Maximum pipe length

Main pipe (mm) [A]	Liquid pipe	P71 (RP35×2)		P100 (RP50×2)			P125 (RP60×2) • P140 (RP71×2)		
		φ6.35	φ9.52	φ9.52	φ9.52	φ12.7	φ9.52	φ9.52	φ12.7
Branch pipe (mm) [B, C]	Gas pipe	φ12.7	φ15.88	φ15.88	φ19.05	φ19.05	φ15.88	φ19.05	φ19.05
	Branch pipe (mm) [B, C]	Liquid pipe φ6.35		Standard size 50m [30m]	Standard size 50m [30m]				
Gas pipe φ12.7									
Liquid pipe φ9.52			○ 50m [30m]	○ 50m [30m]			Standard size 50m [30m]		
Gas pipe φ15.88									
Liquid pipe φ12.7									
Gas pipe φ19.05									

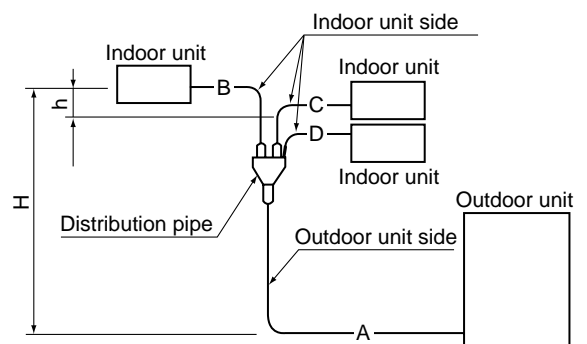
(2) TRIPLE SYSTEM

<Table 3> Maximum pipe length

Main pipe (mm) [A]	Liquid pipe	P140 (RP50×3)		
		φ9.52	φ9.52	φ12.7
Branch pipe (mm) [B, C, D]	Gas pipe	φ15.88	φ19.05	φ19.05
	Liquid pipe φ6.35		Standard size 50m [30m]	
	Gas pipe φ12.7			
	Liquid pipe φ9.52		○ 50m [30m]	
	Gas pipe φ15.88			
	Liquid pipe φ12.7			



<TWIN SYSTEM>
Total length A + B + C
P71-140: 50 m



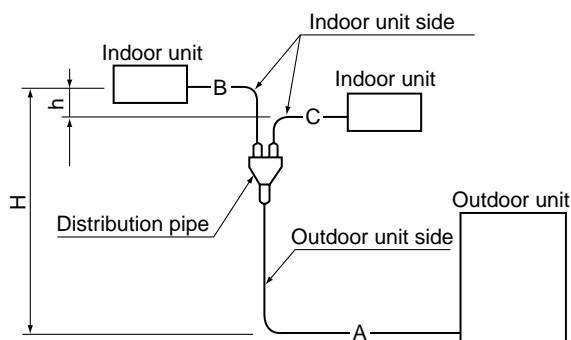
<TRIPLE SYSTEM>
Total length A + B + C + D
P140: 50 m

(3) Pipe size and refrigerant pipe limits.

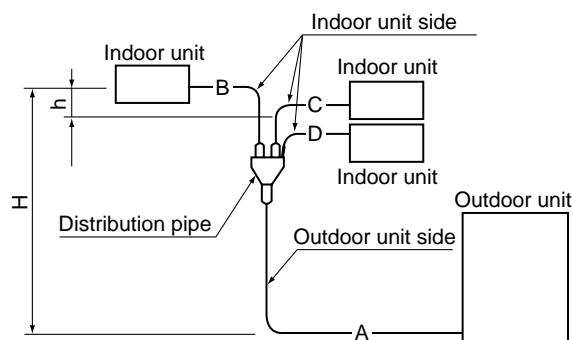
	Outdoor unit	Pipe size (mm)				Actual piping length <m>			Height difference <m>		(Note 1) No. of bend
		Gas side		Liquid side		Total length A+B+C+D	Indoor ~ Indoor	Branch pipe B, C, D	Indoor ~ Outdoor	Indoor ~ Indoor	
		Outdoor unit side	Indoor unit side	Outdoor unit side	Indoor unit side						
TWIN	71-140	$\phi 15.88 < 5/8 >$	RP35,50 $\phi 12.7 < 1/2 >$	$\phi 9.52 < 3/8 >$	RP35,50 $\phi 6.35 < 1/4 >$	50m	B-C 8m	20m	H50m	h 1m	15
TRIPLE	140		RP60,71 $\phi 15.88 < 5/8 >$		RP60,71 $\phi 9.52 < 3/8 >$		B-C C-D B-D 8m				

Note1. The number of bends in the refrigerant pipe is respectively 8 or less in the range of <A+B> <A+C> <A+D>

2. PU(H)-P71,100,125,140 : 30m chargeless



<TWIN SYSTEM>
Total length A + B + C
P71-140: 50 m



<TRIPLE SYSTEM>
Total length A + B + C + D
P140: 50 m

8-2. ADJUSTING THE AMOUNT OF REFRIGERANT

- Check additional refrigerant charging amount referring to table 5, 6 when liquid pipe is one size larger than standard diameter.

<Table 5> Required additional charge when the pipe size is larger than the standard diameter (1:1 SYSTEM)

	Liquid pipe dia.	Chargeless	Max. pipe length	Refrigerant amount to be added
PUH-P71,P100	$\phi 12.7$	20m	30m	100 g per 1 m longer than 20 m
PUH-P125,P140	$\phi 12.7$	20m	40m	100 g per 1 m longer than 20 m
PU-P71,P100	$\phi 12.7$	20m	30m	50 g per 1 m longer than 20 m
PU-P125,P140	$\phi 12.7$	20m	40m	50 g per 1 m longer than 20 m

<Table 6> Required additional charge when the pipe size is larger than the standard diameter (TWIN/TRIPLE SYSTEM)

Capacity	When the extension pipe length (main piping + branch piping) exceeds 20 m
P71,100,125,140	Additional refrigerant amount $\Delta W(g) = (100 \times L1) + (60 \times L2) + (30 \times L3) - 2000$

If the calculation produces a negative number ($\Delta W \leq 0$), additional charging is not necessary.

L1: $\phi 12.7$ liquid pipe length (m)

L2: $\phi 9.52$ liquid pipe length (m)

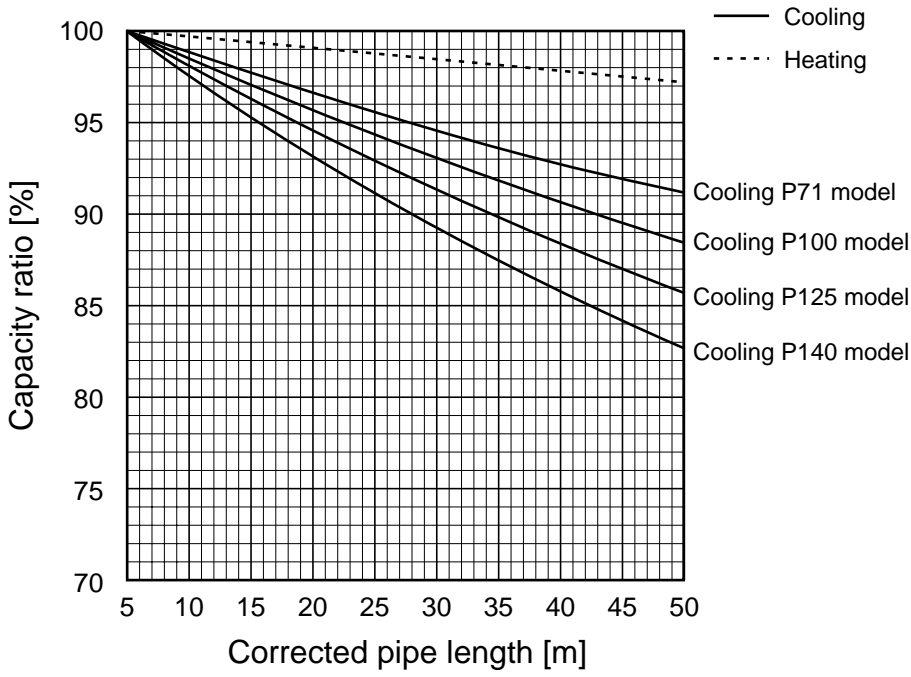
L3: $\phi 6.35$ liquid pipe length (m)

<Table 7> Additional refrigerant charging amount for pipe of standard diameter

Outdoor unit	Permitted pipe length	Amount of unit filling refrigerant (kg)	Additional refrigerant charging amount for pipe length exceeding 30 m (kg)	
			31 — 40m	41 — 50m
PU(H)-P71V/YHA	50m or less	3.6kg	0.6kg	1.2kg
PU(H)-P100V/YHA	50m or less	4.4kg	0.6kg	1.2kg
PU(H)-P125,140YHA	50m or less	5.0kg	0.6kg	1.2kg



8-3. CAPACITY CURVE



9-1. OUTLET AIR SPEED AND COVERAGE RANGE

		PLA-RP35BA	PLA-RP50BA	PLA-RP60BA	PLA-RP71BA	PLA-RP100BA	PLA-RP125BA	PLA-RP140BA
Air flow	m ³ /min.	15	18	18	21	30	31	32
Air speed	m/sec.	2.6	3.2	3.2	3.7	5.3	5.4	5.6
Coverage range	m	4.1	4.8	4.8	5.6	8.0	8.2	8.5

		PLA-RP35AA PLH-P35AAH	PLA-RP50AA PLH-P50AAH	PLA-RP60AA PLH-P60AAH	PLA-RP71AA PLH-P71AAH	PLA-RP100AA2 PLH-P100AAH	PLA-RP125AA2 PLH-P125AAH	PLA-RP140AA2 PLH-P140AAH
Air flow	m ³ /min.	14	18	18	20	28	30	30
Air speed	m/sec.	2.8	3.6	3.6	4.0	4.9	6.6	6.6
Coverage range	m	4.0	5.2	5.2	5.7	7.4	8.9	8.9

		PMH-P25BA	PMH-P35BA	PMH-P50BA
Air flow	m ³ /min	8.4	10.0	11.0
Air speed	m/sec	3.7	4.3	4.7
Coverage range	m	5.9	7.0	7.7

		PCA-RP50GA PCH-P50GAH	PCA-RP60GA PCH-P60GAH	PCA-RP71GA PCH-P71GAH	PCA-RP100GA PCH-P100GAH	PCA-RP125GA PCH-P125GAH	PCA-RP140GA PCH-P140GAH
Air flow	m ³ /min	13	18	18	25	34	34
Air speed	m/sec	3.7	3.8	3.8	4.1	4.4	4.4
Coverage range	m	8.8	10.4	10.4	12.6	15.2	15.2

		PCA-RP71HA	PCA-RP125HA
Air flow	m ³ /min	19	38
Air speed	m/sec	2.9	4.2
Coverage range	m	7.9	13.2

		PKA-RP35GAL PKH-P35GALH	PKA-RP50GAL PKH-P50GALH
Air flow	m ³ /min	12	12
Air speed	m/sec	5.3	5.3
Coverage range	m(ft)	10(32.8)	10(32.8)

		PKA-RP60FAL PKH-P60FALH	PKA-RP71FAL PKH-P71FALH	PKA-RP100FAL PKH-P100FALH
Air flow	m ³ /min	20	20	28
Air speed	m/sec	4.9	4.9	5.4
Coverage range	m(ft)	12.4(40.7)	12.4(40.7)	15.3(50.2)

		PSA-RP71GA PSH-P71GAH	PSA-RP100GA PSH-P100GAH	PSA-RP125GA PSH-P125GAH	PSA-RP140GA PSH-P140GAH
Air flow	m ³ /min	18	31	33	35
Air speed	m/sec	2.6	4.5	4.8	4.9
Coverage range	m	8.3	14.3	15.2	16.1

※ The air coverage range is the distance to which the 0.25m/sec air can reach, when air is blown out horizontally from the unit at the High notch position.

The coverage range should be used only as a general guideline since it varies according to the size of the room and the furniture inside the room.

9-2. PLA-RP-BA

9-2-1 FRESH AIR INTAKE AND BRANCH DUCT

1. Branch duct hole and fresh air intake hole (Fig. 1)

At the time of installation, use the duct holes (cut out) located at the positions shown in Fig.1, as and when required.

- A fresh air intake hole for the optional multi function casement can also be made.

Note:

The figure marked with * in the drawing represent the dimensions of the main unit excluding those of the optional multi function casement.

When installing the optional multi function casement, add 135 mm to the dimensions marked on the figure.

When installing the branch ducts, be sure to insulate adequately.

Otherwise condensation and dripping may occur.

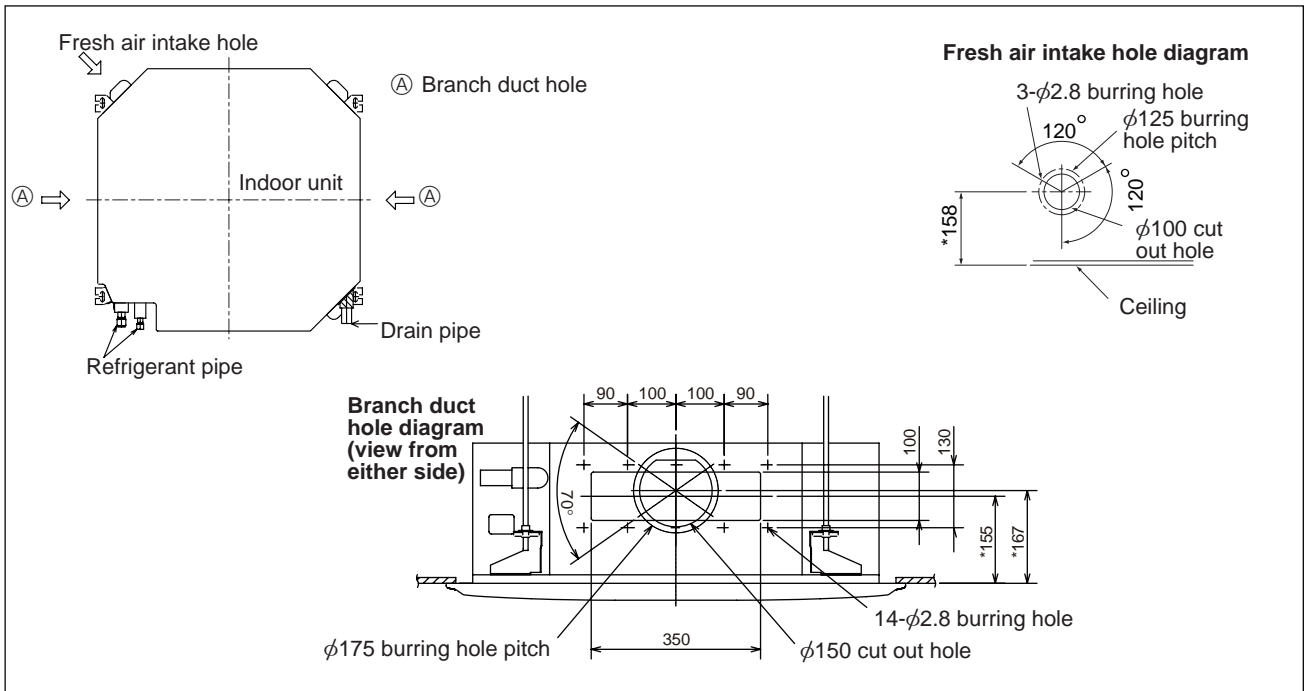
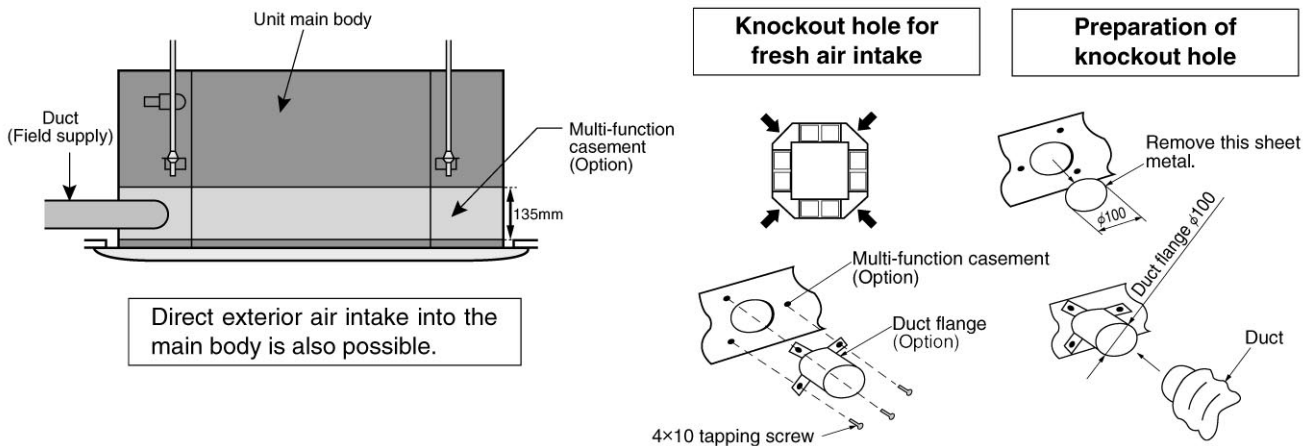


Fig. 1

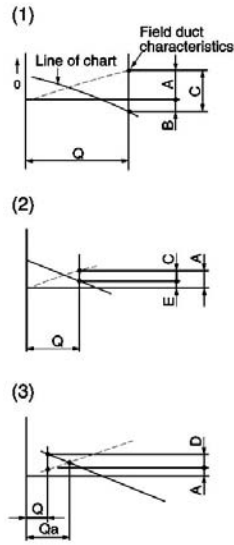
2. Fresh air intake (Installation at site)

- By mounting the optional multi-function casement to the indoor unit main body, and mounting the duct and duct flange (option) onto it further, fresh exterior air intake can be accomplished.
(The mounting of the multi-function casement increases the height of the ceiling plenum by 135mm.)



3. Fresh air intake volume & static pressure characteristics

How to read the chart



Q Design fresh air intake volume (m³/min)

A Static pressure loss [Pa] of fresh air intake duct at air flow rate of Q

B Required boost pressure [Pa] of air conditioner inlet at air flow rate of Q

C Required static pressure [Pa] of booster fan at air flow rate of Q

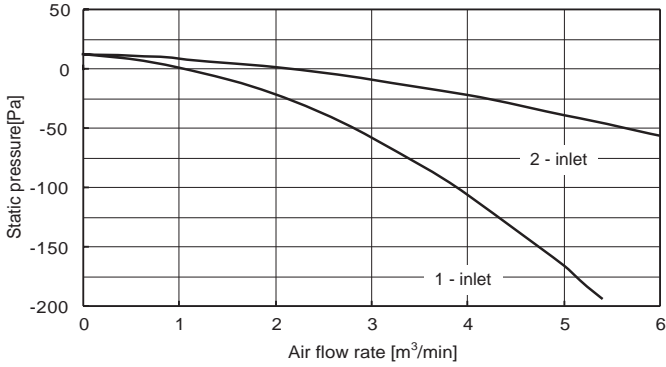
D Required compensation [Pa] for static pressure loss of fresh air intake duct to make air flow rate Q

E Static pressure [Pa] of indoor unit at air flow rate of Q

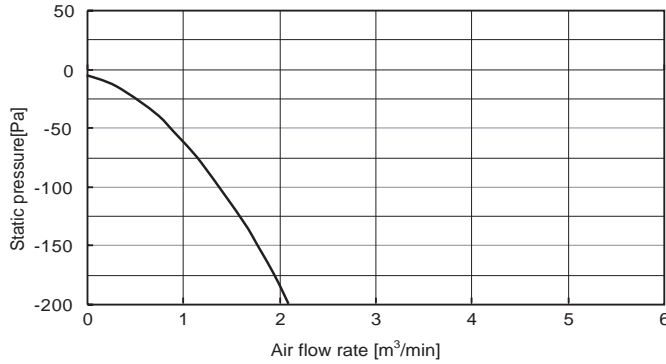
Qa .. Estimated fresh air intake [m³/min] without compensation of D

PLA-RP35~71BA

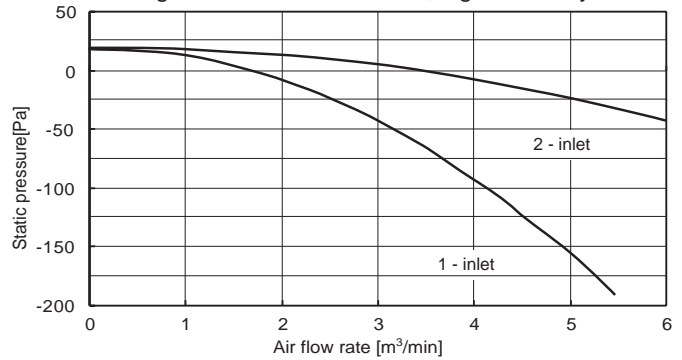
① At using multi-function casement, standard filter



② Direct intake to unit

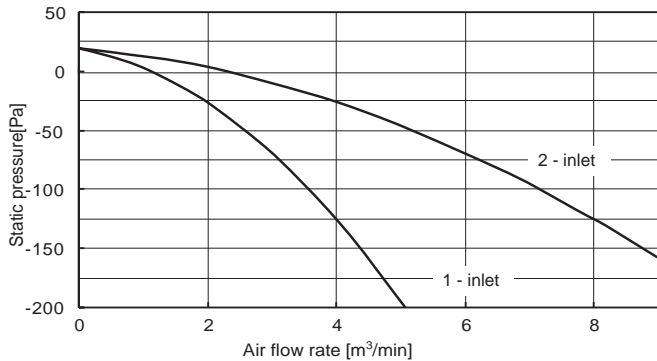


③ At using multi-function casement, high efficiency filter

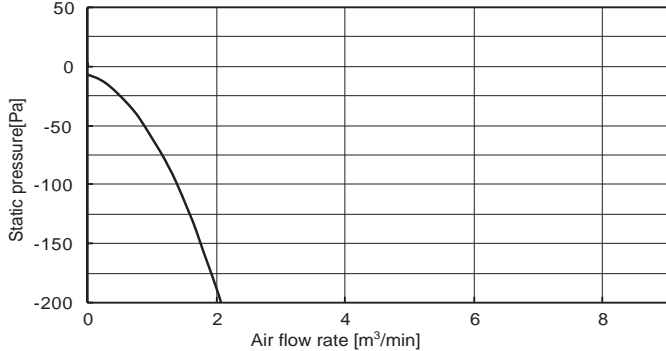


PLA-RP100~140BA

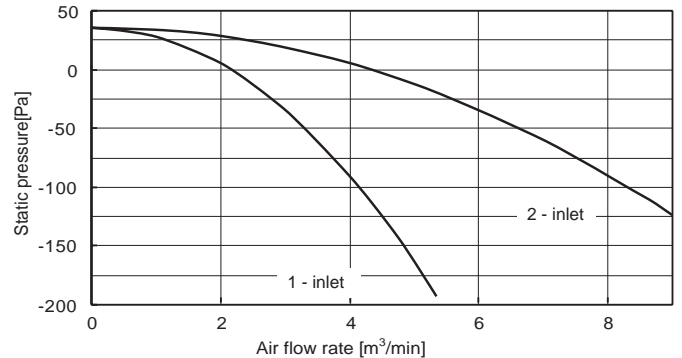
① At using multi-function casement, standard filter



② Direct intake to unit



③ At using multi-function casement, high efficiency filter

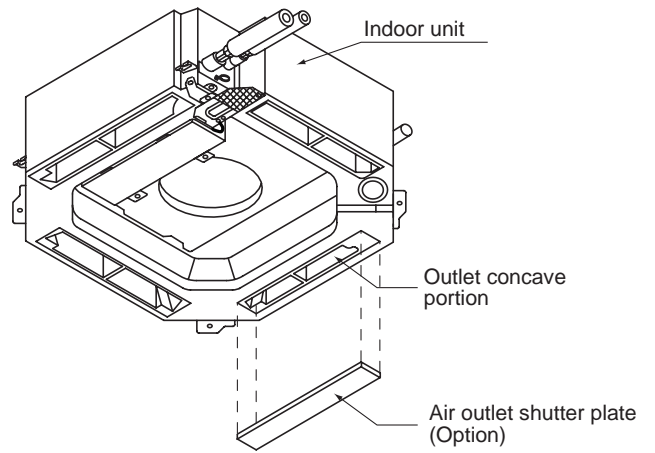
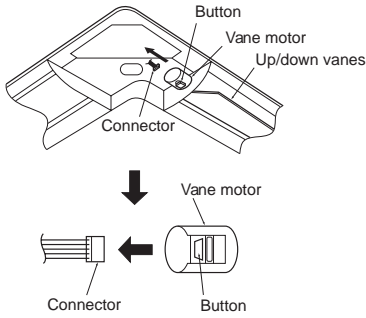


4. Change of outlet numbers

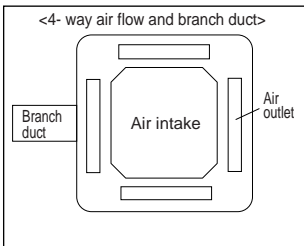
[The optional air outlet is necessary.]

To change the air outlet number to 3-, or 2-way outlet, the outlet number should be closed with the operational air outlet shutter.

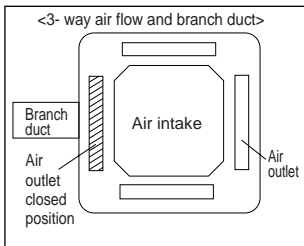
(When the air outlets are closed, close the vane by removing the vane connector.)



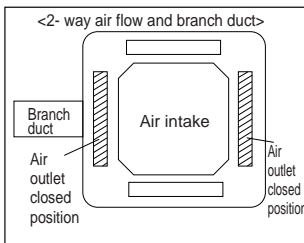
5. Branch duct and change of outlet numbers



※ Branch duct should be connected to one or the branch duct holes on the main unit.



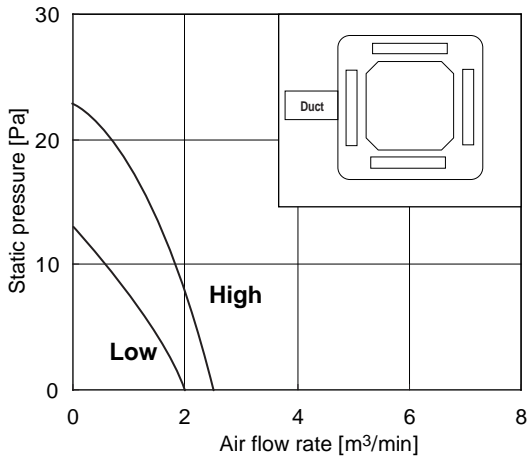
※ Close the outlet on the side or branch duct and air flows in 3 directions.



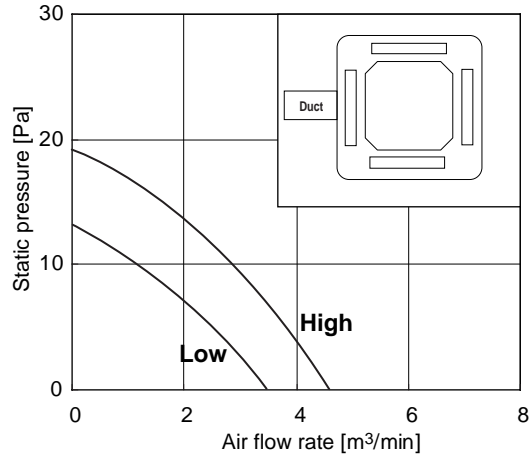
※ The outlet on the side or branch duct and one of the other outlets are closed. Air flow in 2 directions.

PLA-RP71BA

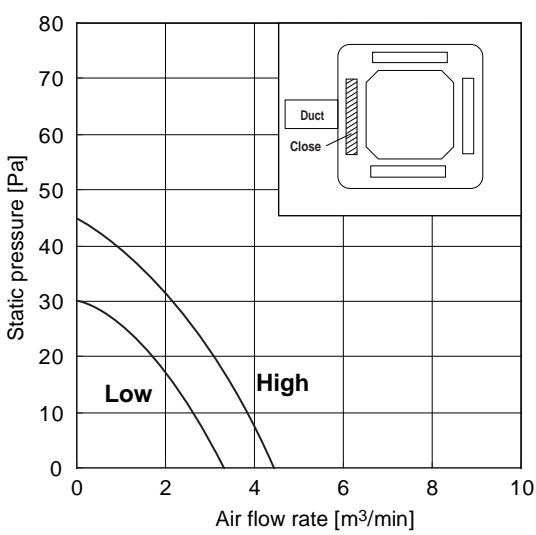
● 4-way air flow (horizontal vane) Round duct



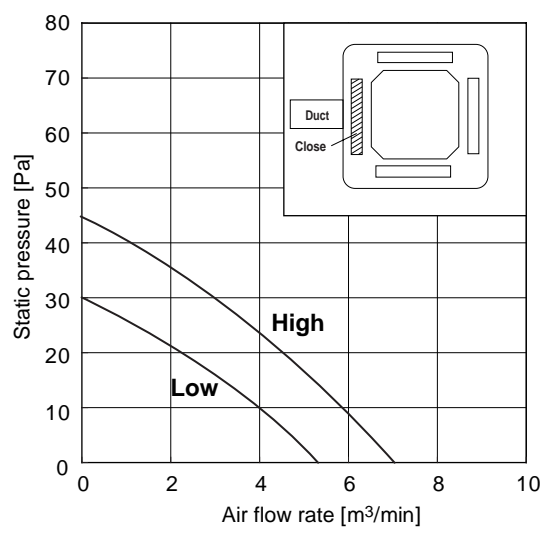
● 4-way air flow (horizontal vane) Rectangular duct



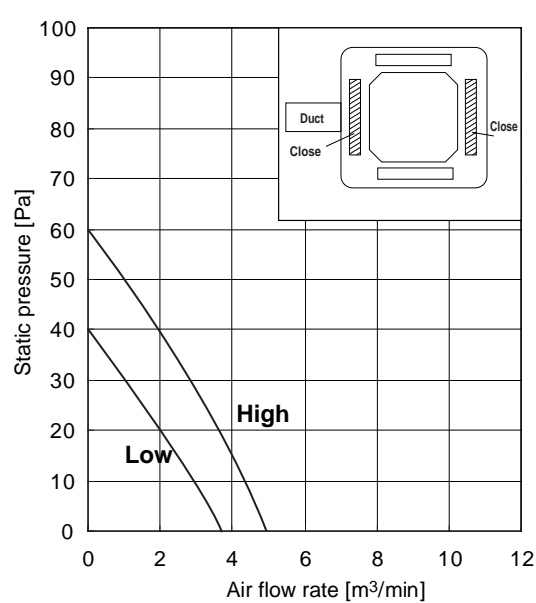
● 3-way air flow (horizontal vane) Round duct



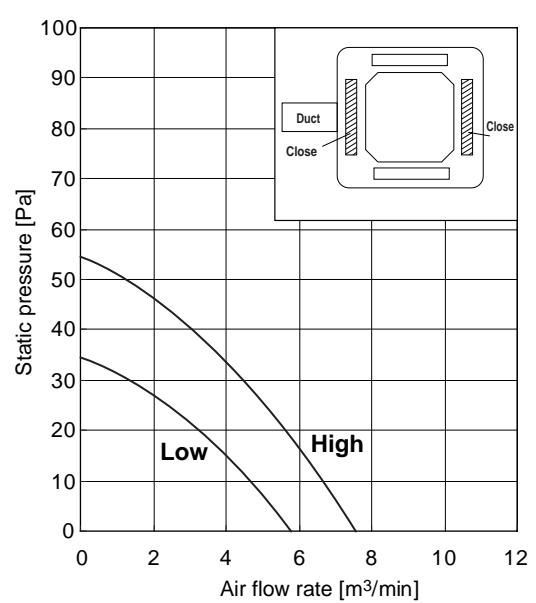
● 3-way air flow (horizontal vane) Rectangular duct



● 2-way air flow (horizontal vane) Round duct



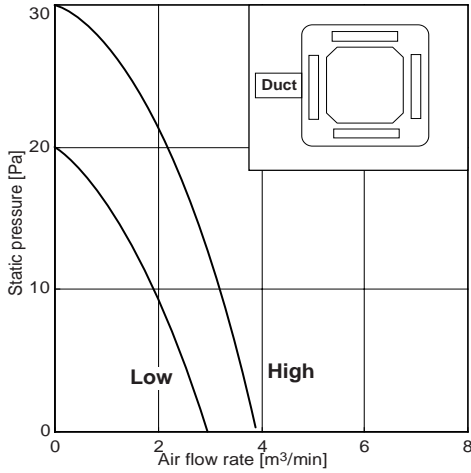
● 2-way air flow (horizontal vane) Rectangular duct



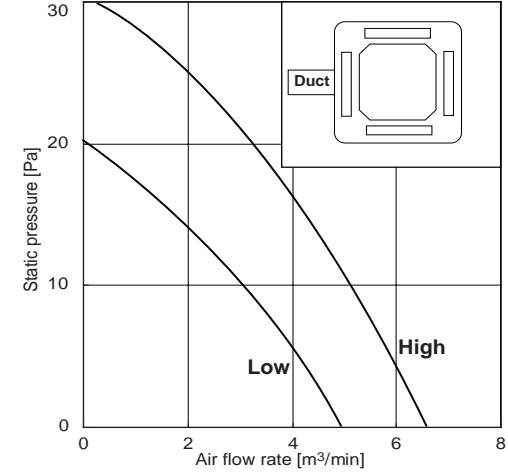
- Use 1 of the 2 duct holes on the indoor unit.
- Air flow rate of PLA-RP35~60BA can be calculated from the air flow rate based on the characteristic of the duct for PLA-RP71BA.
- Use the optional air outlet shutter plate (PAC-SH51SP-E) for 3-way and 2-way air flow.

PLA-RP125BA

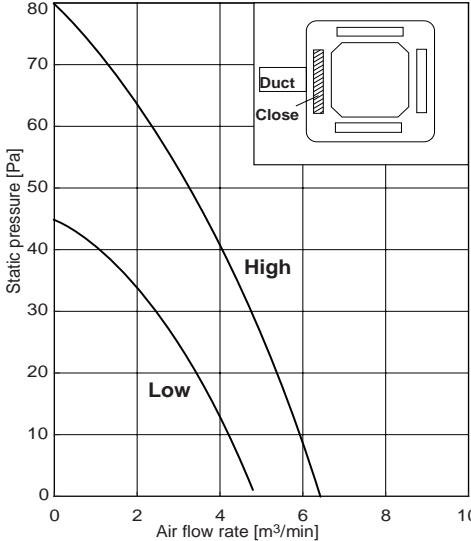
● 4-way air flow (horizontal vane) Round duct



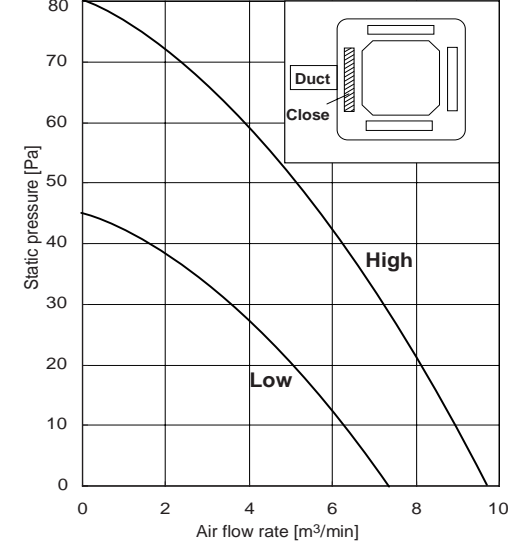
● 4-way air flow (horizontal vane) Rectangular duct



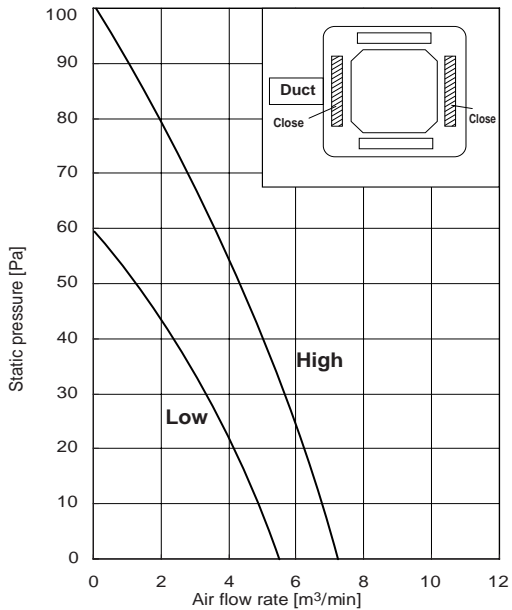
● 3-way air flow (horizontal vane) Round duct



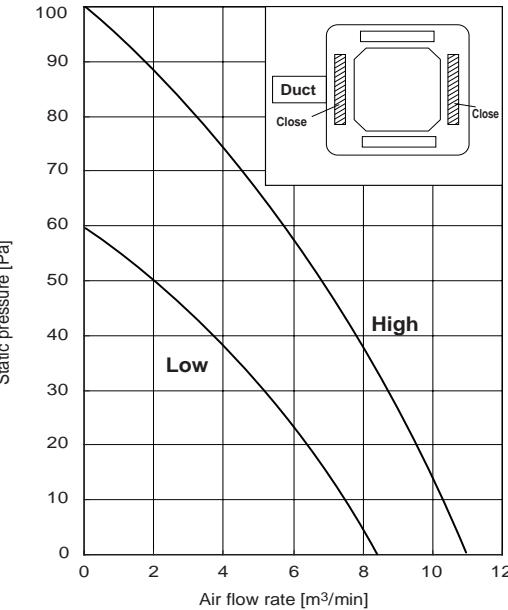
● 3-way air flow (horizontal vane) Rectangular duct



● 2-way air flow (horizontal vane) Round duct



● 2-way air flow (horizontal vane) Rectangular duct



- Use 1 of the 2 duct holes on the indoor unit.
- Air flow rate of PLA-RP100BA, PLA-RP140BA can be calculated from the air flow rate based on the characteristic of the duct for PLA-RP125BA.
- Use the optional air outlet shutter plate (PAC-SH51SP-E) for 3-way and 2-way air flow.

9-3. PLA-RP-AA, PLA-RP-AA2

9-3-1. FRESH AIR INTAKE AMOUNT

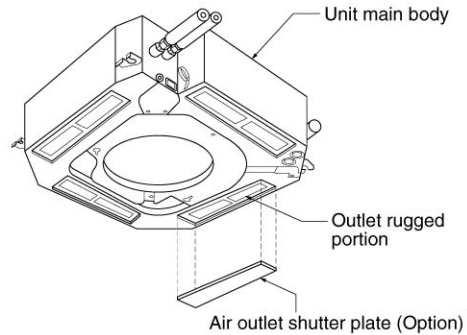
1. Adjusting the width of the air outlets

● Change of outlet numbers

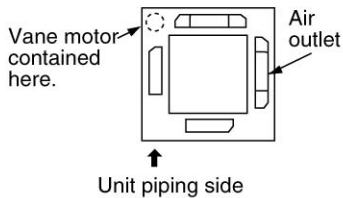
[The optional air outlet shutter is necessary.]

To change the air outlet numbers to 3-, or 2-way outlet, the outlets should be closed with the optional air outlet shutter.

(When the air outlets are closed, close the vane by removing the vane connector.)



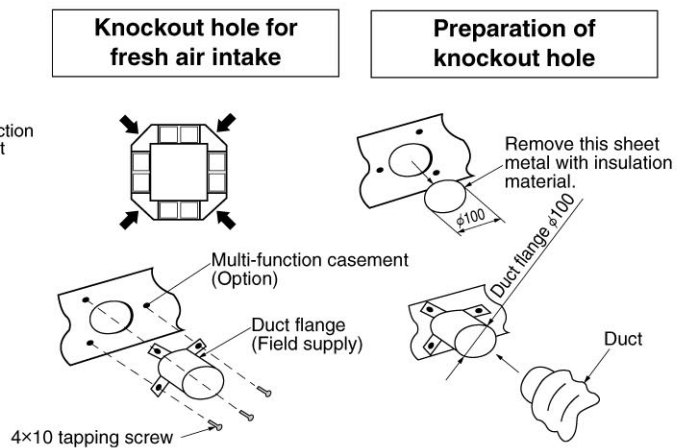
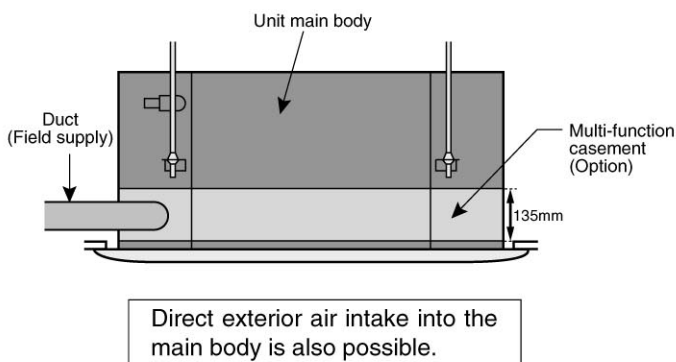
● For the portion to be cut (V-shaped groove), see the figure below (as seen from the rear of the panel).



2. Fresh air intake (Installation of site)

● By mounting the optional multi-function casement to the indoor unit main body, and mounting the duct and duct flange (field supply) onto it further, fresh exterior air intake can be accomplished.

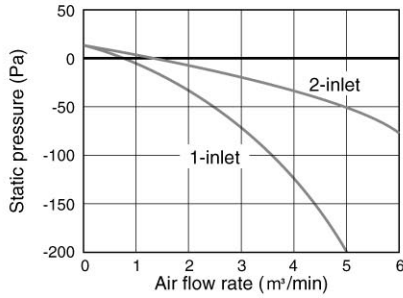
(The mounting of the multi-function casement increases the height of the ceiling plenum by 135mm.)



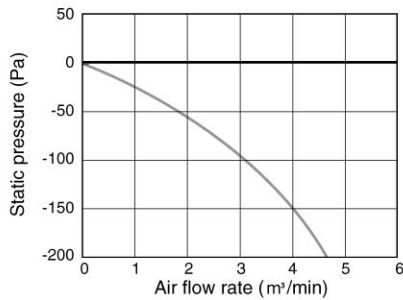
3. Fresh air intake volume & static pressure characteristics

① PLA-RP71AA

(at using of multi-function casement, standard filter)

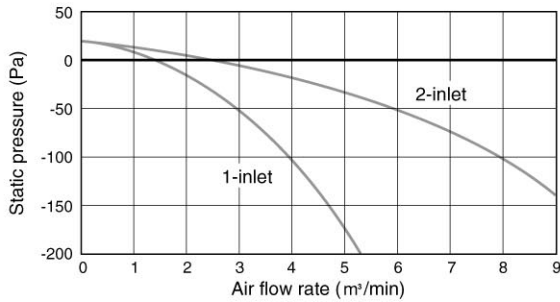


② PLA-RP 71 AA (Direct intake to unit)

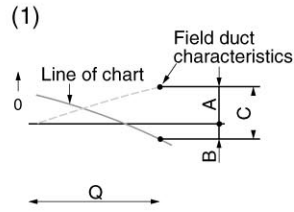


③ PLA-RP100/RP125/RP140AA2

(at using of multi-function casement, standard filter)



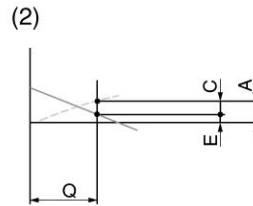
How to read the chart



Q Design fresh air intake volume (m³/min)

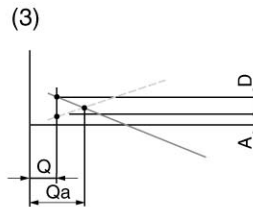
A Static pressure loss [Pa] of fesh air intake duct at air flow rate of Q

B Required boost pressure [Pa] of air conditioner inlet at air flow rate of Q



C Required static pressure [Pa] of booster fan at air flow rate of Q

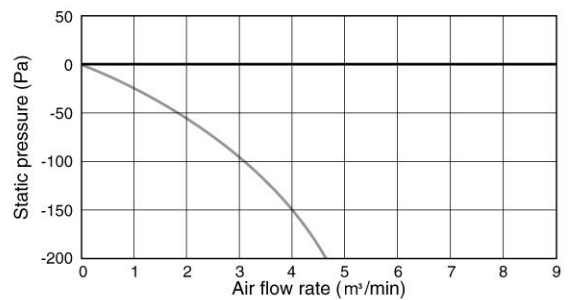
D Required compensation [Pa] for static prssure loss of fresh air intake duct to make air flow rate Q



E Static pressure [Pa] of indoor unit at air flow rate of Q

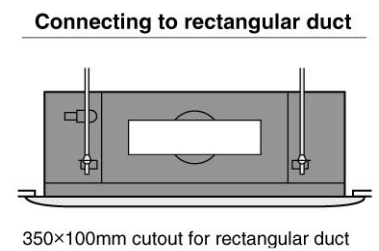
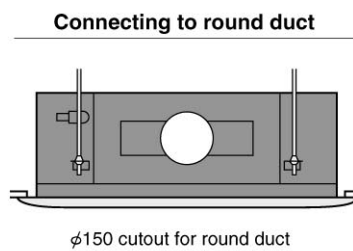
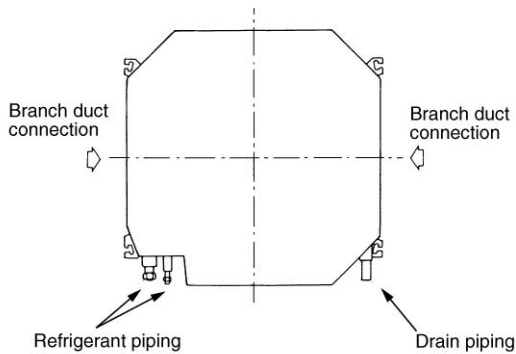
Qa .. Estimated fresh air intake [m³/min] without compensation of D

④ PLA-RP100/RP125/RP140AA2 (Direct intake to unit)



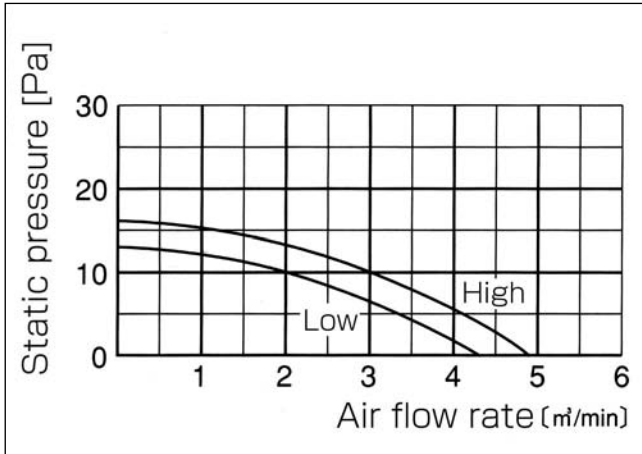
9-3-2. BRANCH DUCT (Installation at site)

To be compatible with both round and rectangular branch ducts, knockout holes are designed to fit to both shapes for flexible on-site installation.

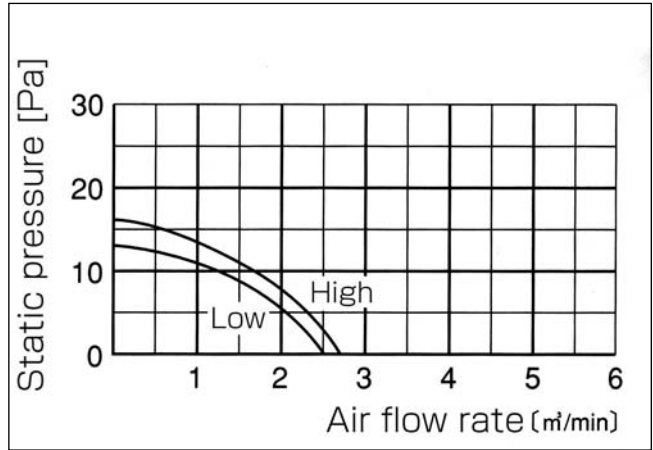


Branch duct air flow rate/static pressure characteristics
PLA-RP35AA

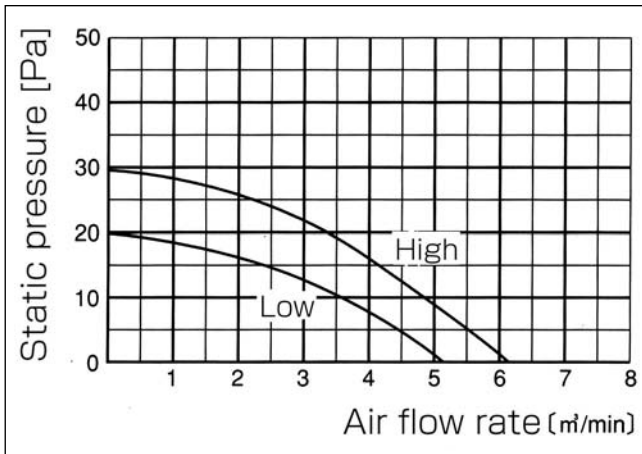
4-way air flow (horizontal vane) Rectangular duct



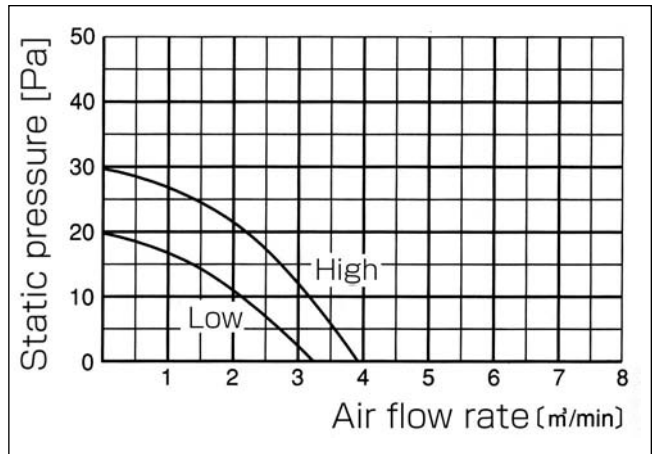
4-way air flow (horizontal vane) Round duct



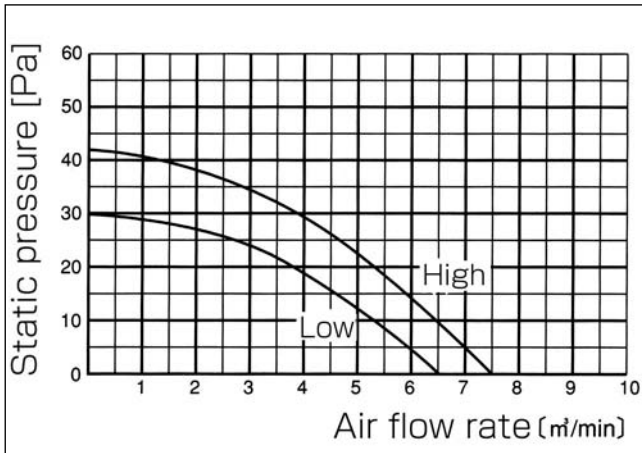
3-way air flow (horizontal vane) Rectangular duct



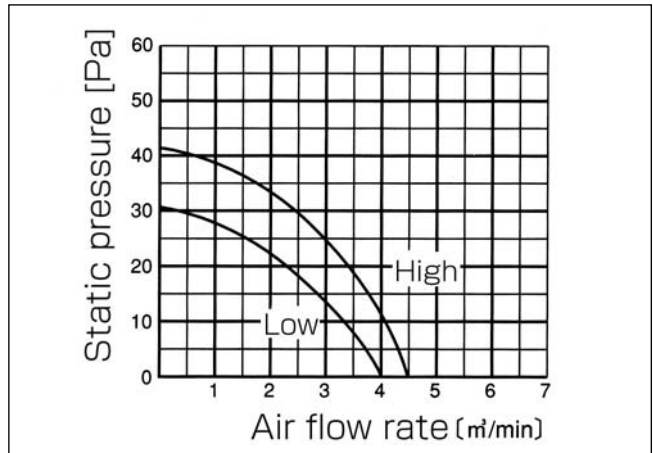
3-way air flow (horizontal vane) Round duct



2-way air flow (horizontal vane) Rectangular duct

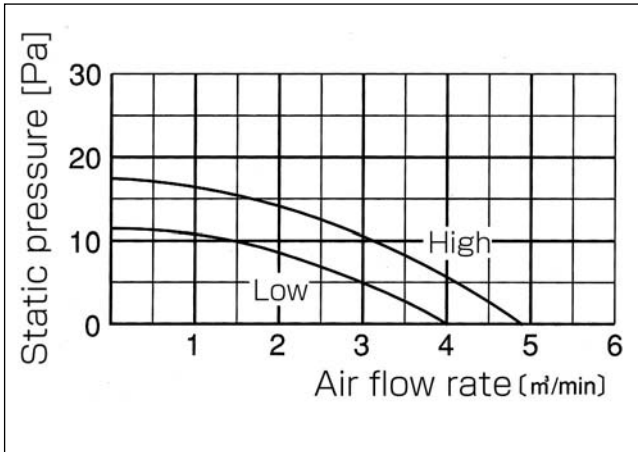


2-way air flow (horizontal vane) Round duct

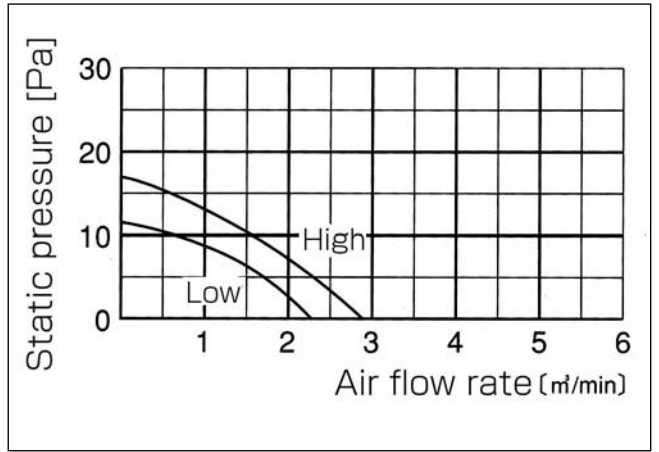


PLA-RP50AA
PLA-RP60AA

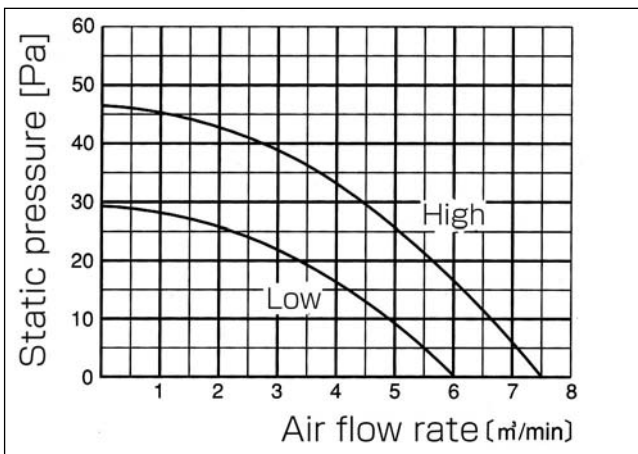
4-way air flow (horizontal vane) Rectangular duct



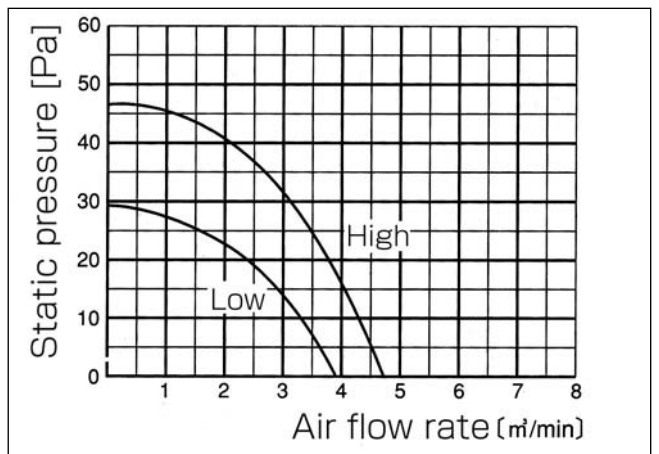
4-way air flow (horizontal vane) Round duct



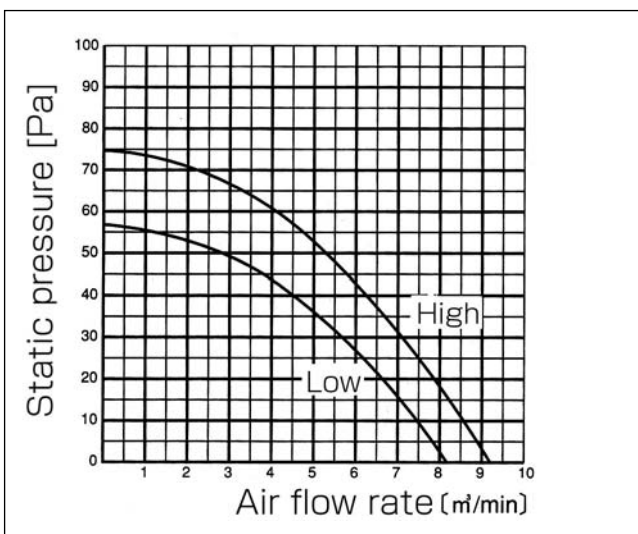
3-way air flow (horizontal vane) Rectangular duct



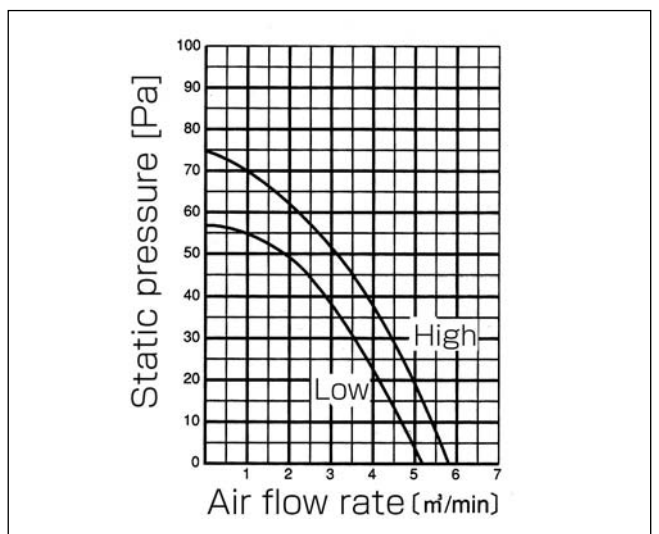
3-way air flow (horizontal vane) Round duct



2-way air flow (horizontal vane) Rectangular duct

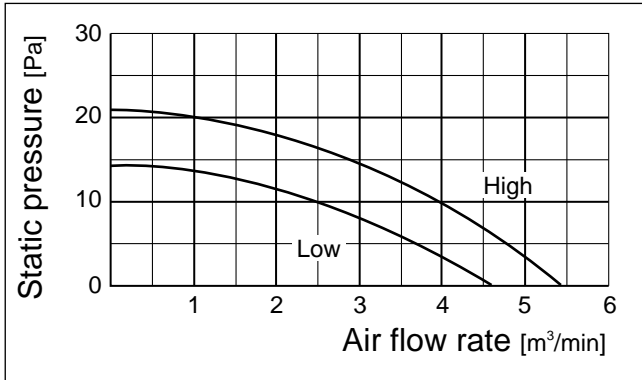


2-way air flow (horizontal vane) Round duct

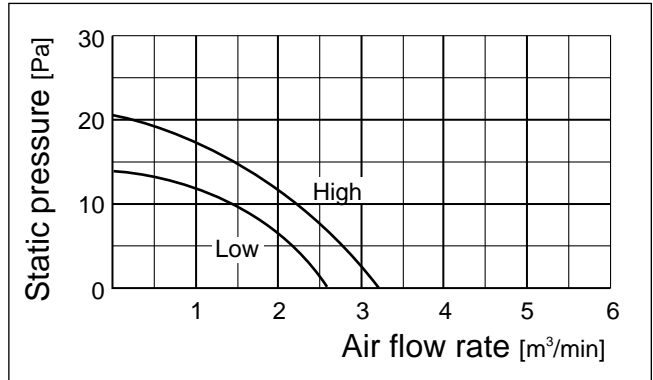


PLA-RP71AA

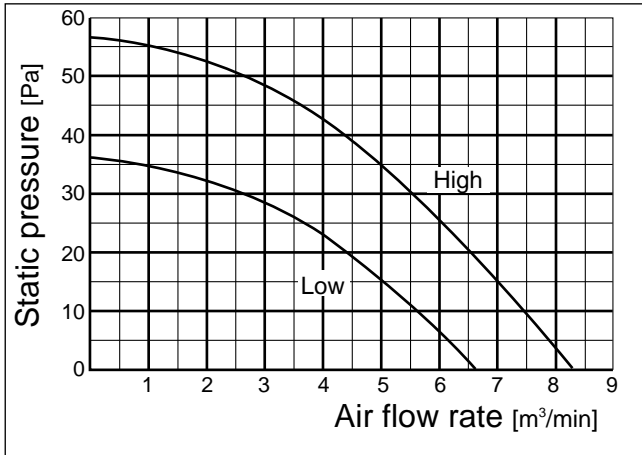
4-way air flow (horizontal vane) Rectangular duct



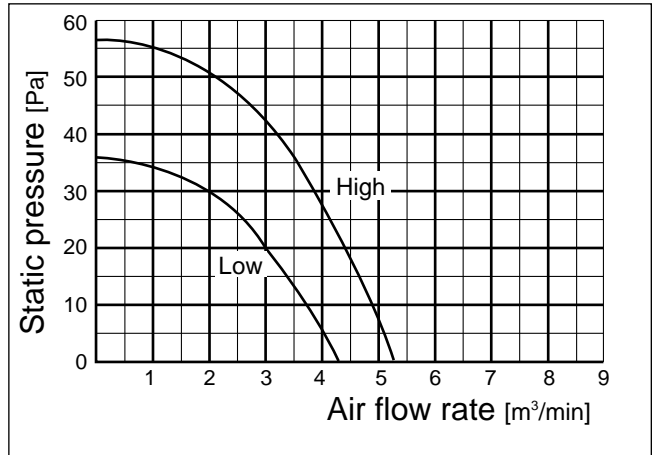
4-way air flow (horizontal vane) Round duct



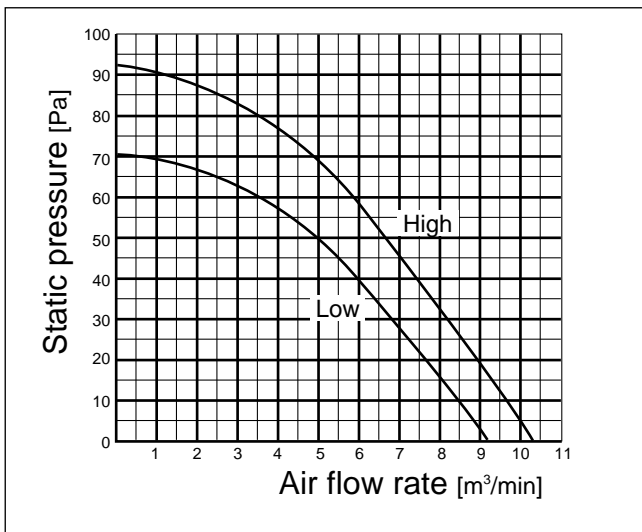
3-way air flow (horizontal vane) Rectangular duct



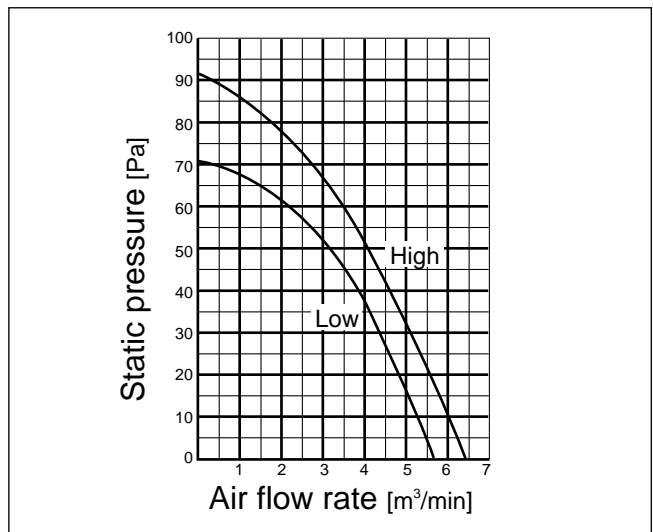
3-way air flow (horizontal vane) Round duct



2-way air flow (horizontal vane) Rectangular duct

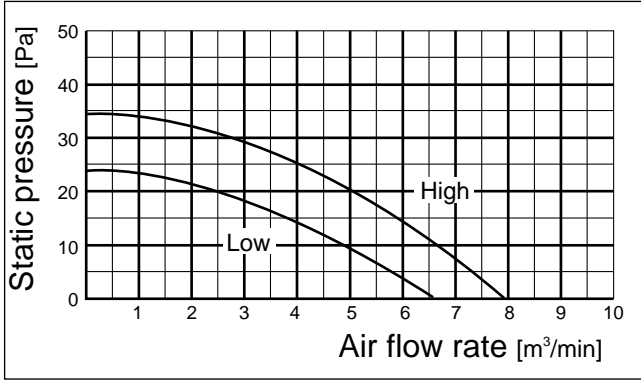


2-way air flow (horizontal vane) Round duct

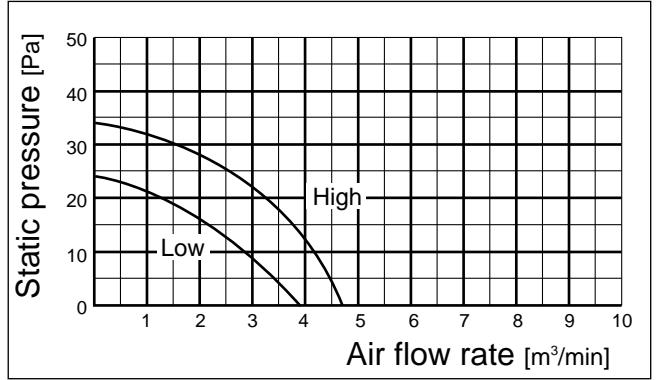


PLA-RP100AA2

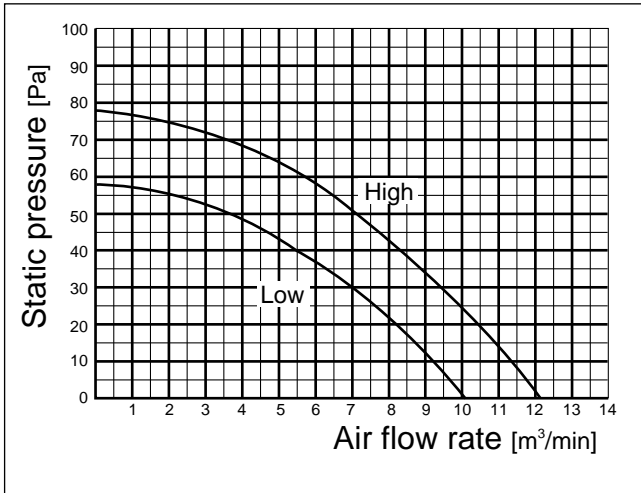
4-way air flow (horizontal vane) Rectangular duct



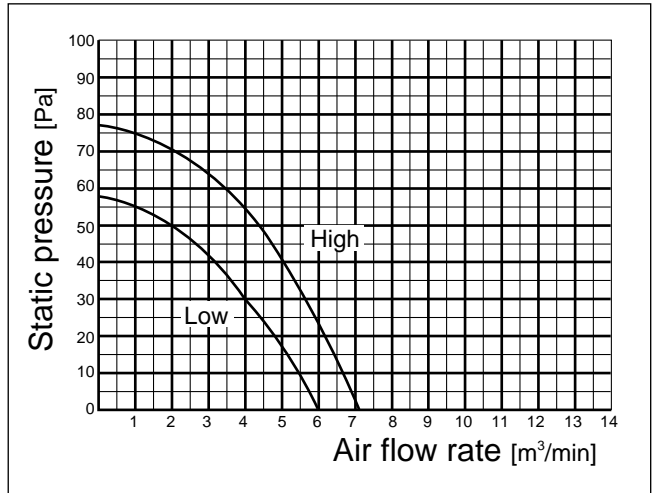
4-way air flow (horizontal vane) Round duct



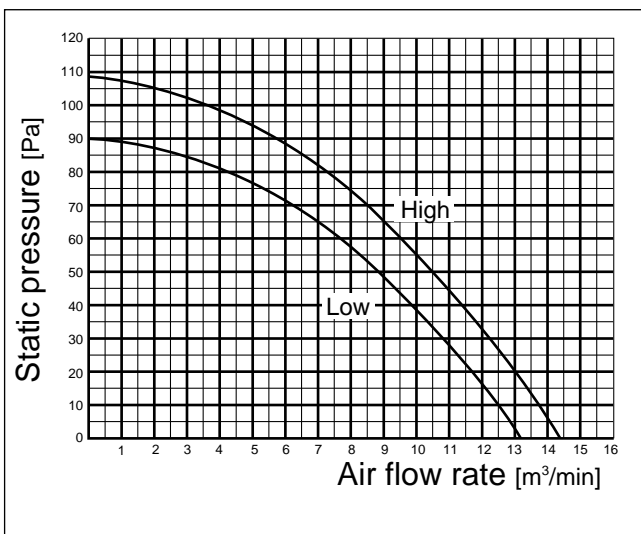
3-way air flow (horizontal vane) Rectangular duct



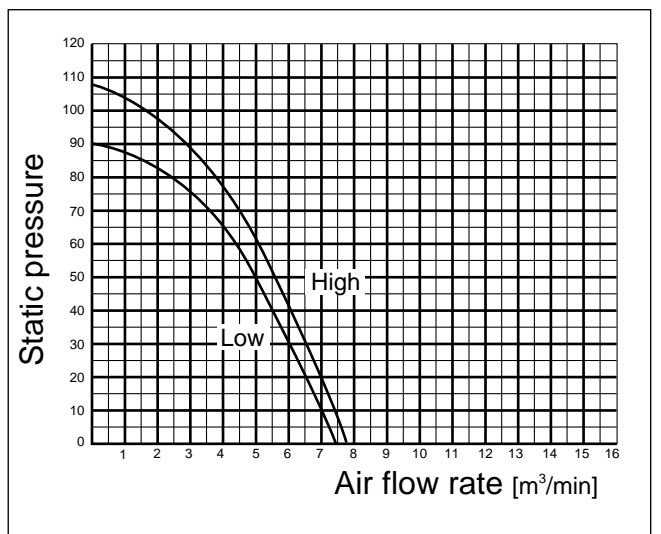
3-way air flow (horizontal vane) Round duct



2-way air flow (horizontal vane) Rectangular duct

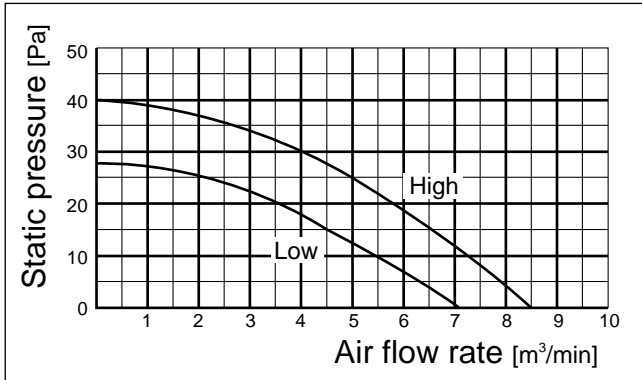


2-way air flow (horizontal vane) Round duct

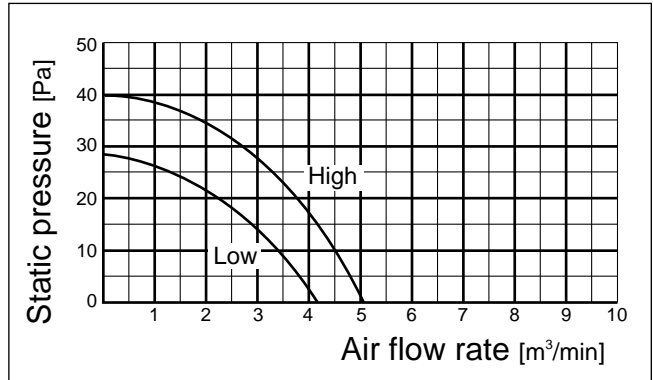


PLA-RP125AA2
PLA-RP140AA2

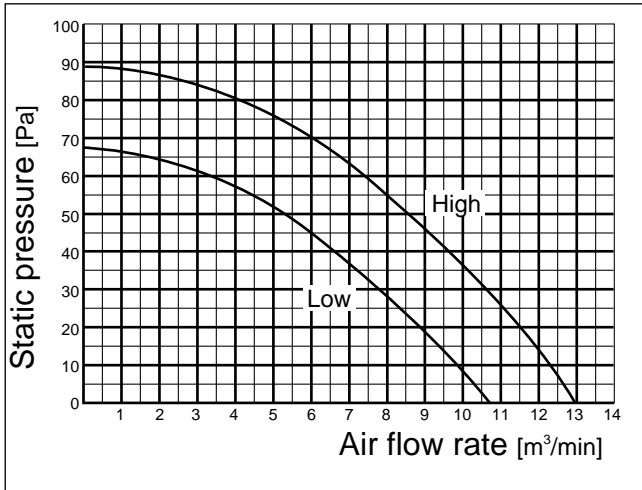
4-way air flow (horizontal vane) Rectangular duct



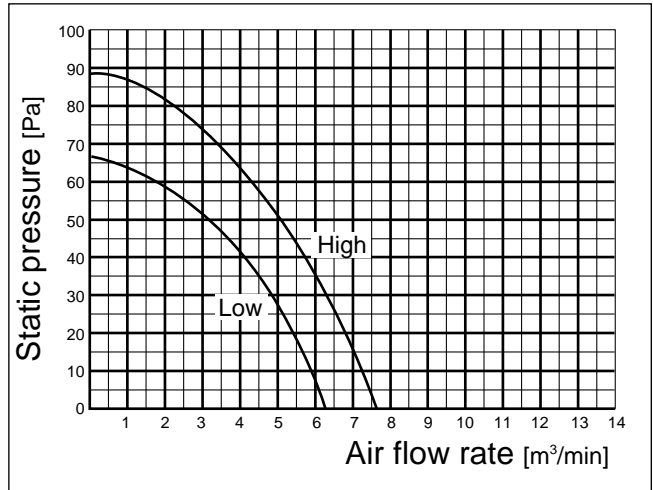
4-way air flow (horizontal vane) Round duct



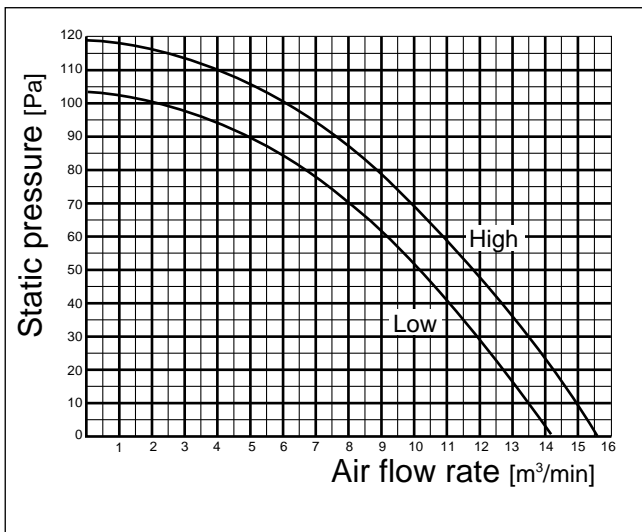
3-way air flow (horizontal vane) Rectangular duct



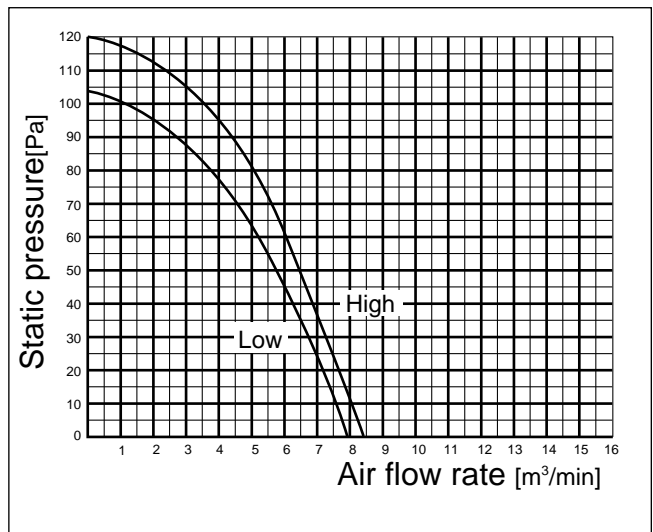
3-way air flow (horizontal vane) Round duct



2-way air flow (horizontal vane) Rectangular duct



2-way air flow (horizontal vane) Round duct



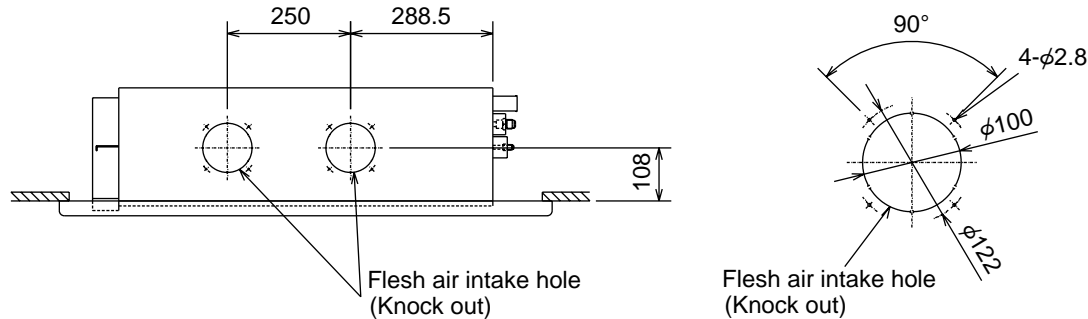
9-4. PMH-P•BA

Air capacity taken from outside

PMH-P-BA series is possible to take outside air.

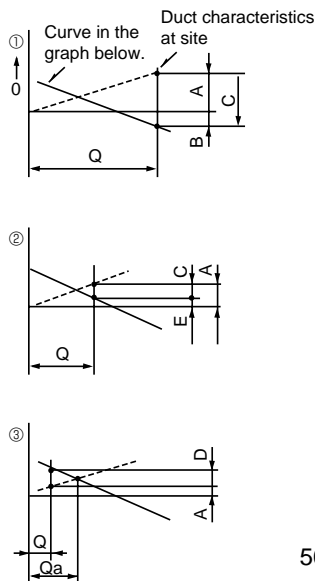
When taking air from the outside, the duct fan can be used.

The air capacity should be 20% or less of the air flow SPEC(Hi).



	Air flow (Hi)	Air capacity taken outside
PMH-P25BA	8.4m ³ /min	1.6m ³ /min
PMH-P35BA	10.0m ³ /min	2.0m ³ /min
PMH-P50BA	11.0m ³ /min	2.2m ³ /min

How to read curves



Q...Planned amount of fresh air intake <m³/min>

A...Static pressure loss of fresh air intake duct system with air flow amount Q <Pa>

B...Forced static pressure at air conditioner inlet with air flow amount Q <Pa>

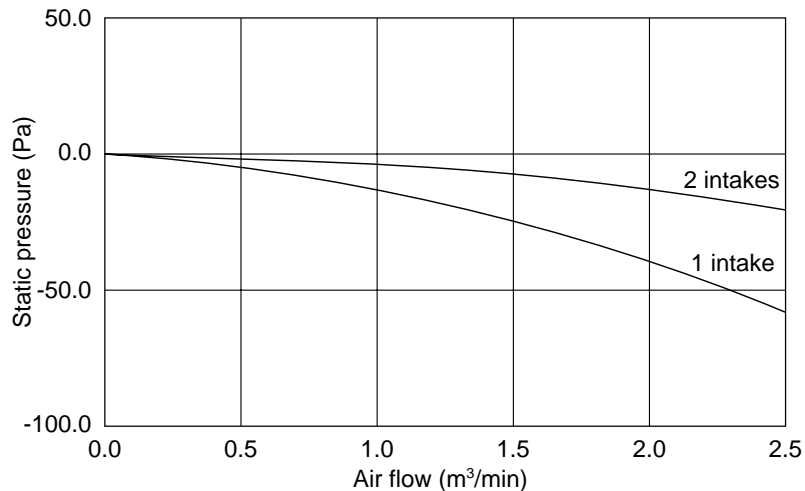
C...Static pressure of booster fan with air flow amount Q <Pa>

D...Static pressure loss increase amount of fresh air intake duct system for air flow amount Q <Pa>

E...Static pressure of indoor unit with air flow amount Q <Pa>

Qa...Estimated amount of fresh air intake without D <m³/min>

Characteristic diagram of air capacity taken from outside

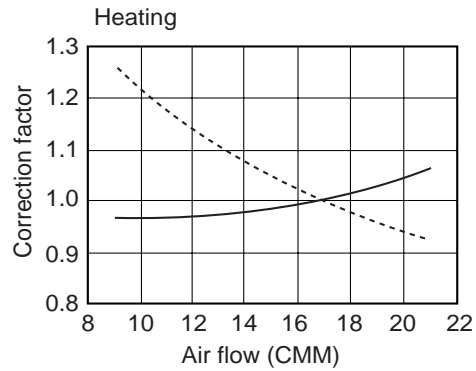
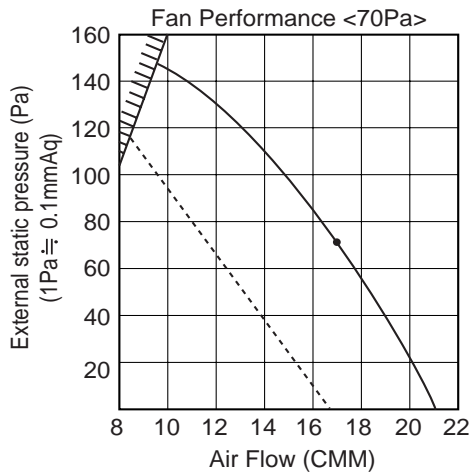
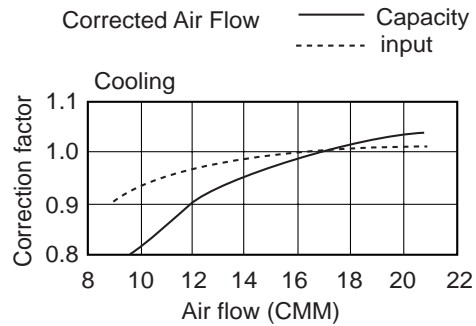
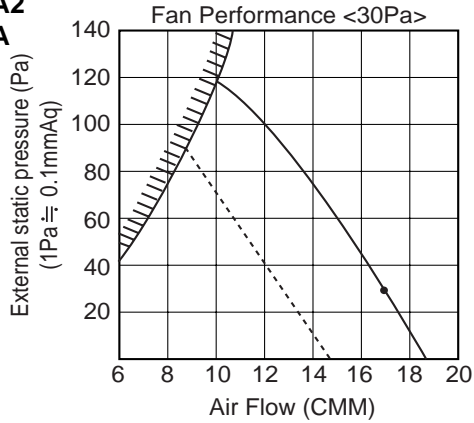


9-5. PEAD-RP-EA,EA2,GA

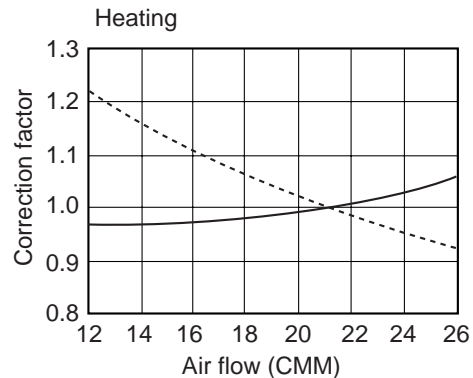
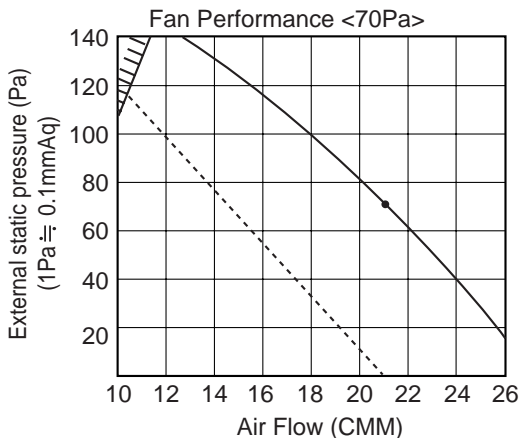
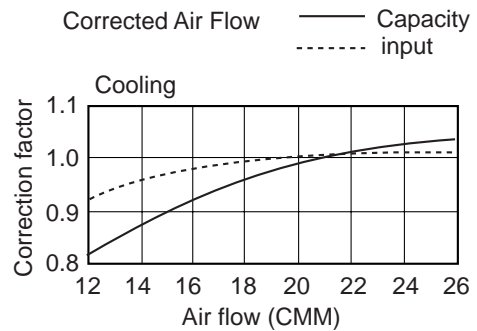
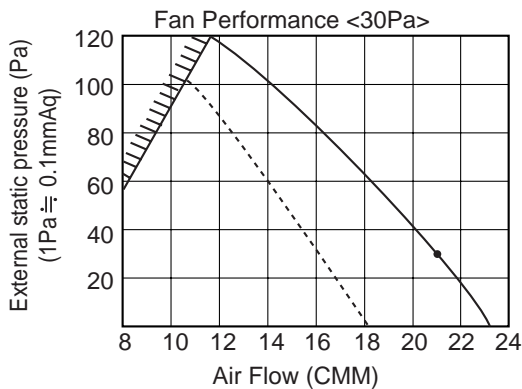
9-5-1. FAN PERFORMANCE AND CORRECTED AIR FLOW

PEAD-RP35EA2

PEAD-RP50EA

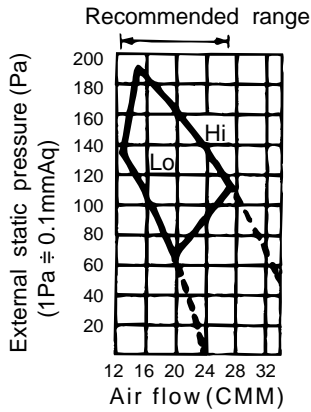


PEAD-RP60EA

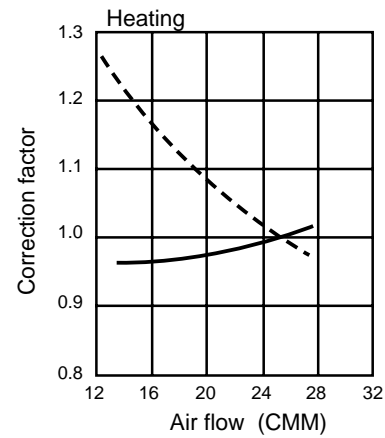
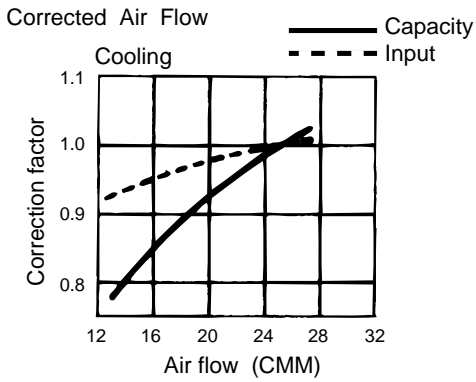
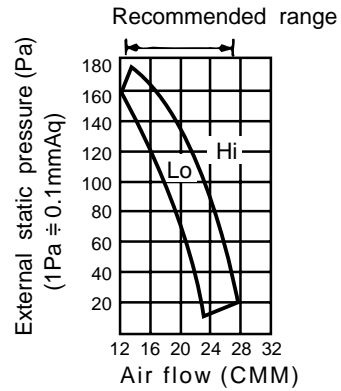


PEAD-RP71EA

Fan performance <130Pa>

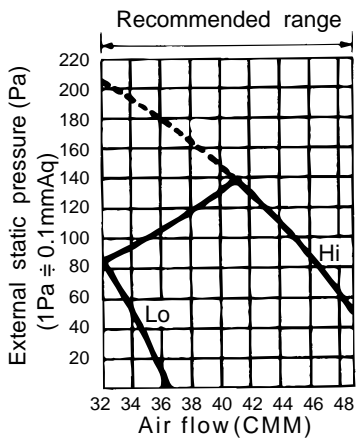


Fan performance <70Pa>

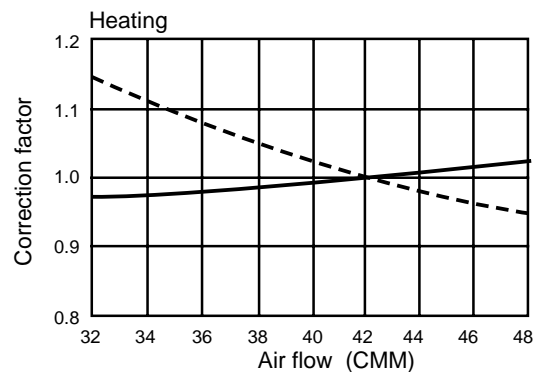
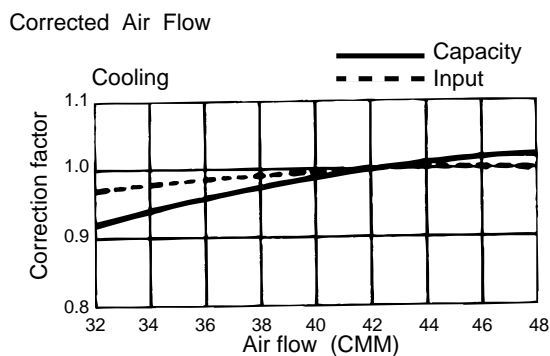
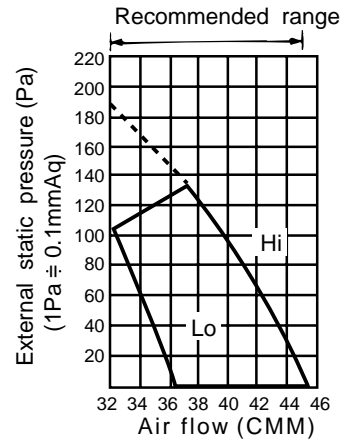


PEAD-RP100EA2
PEAD-RP125EA

Fan performance <130Pa>

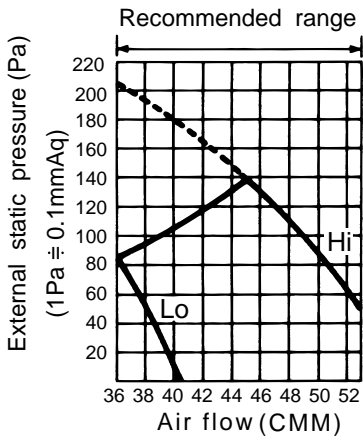


Fan performance <70Pa>

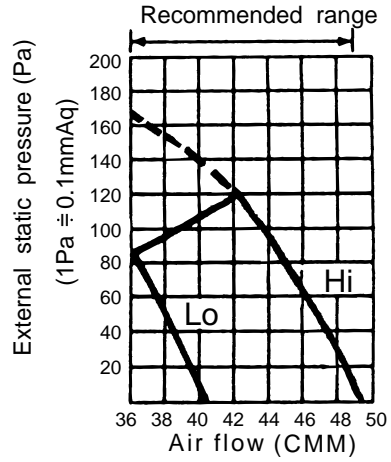


PEAD-RP140EA

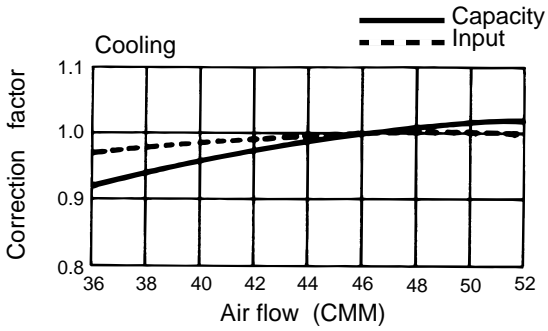
Fan performance <130Pa>



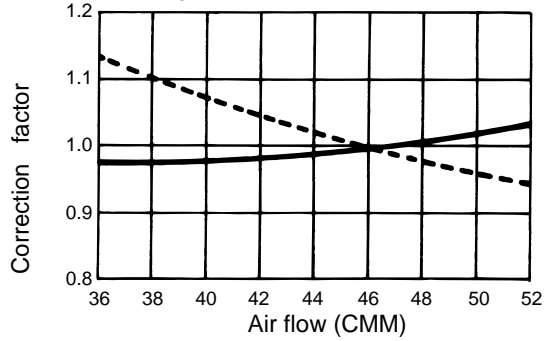
Fan performance <70Pa>



Corrected Air Flow

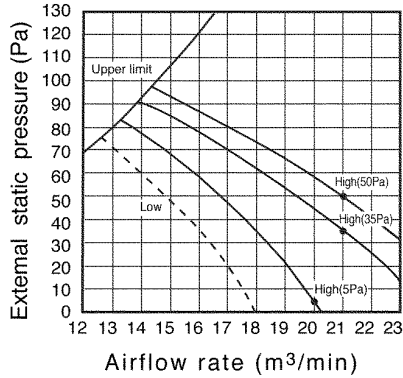


Heating

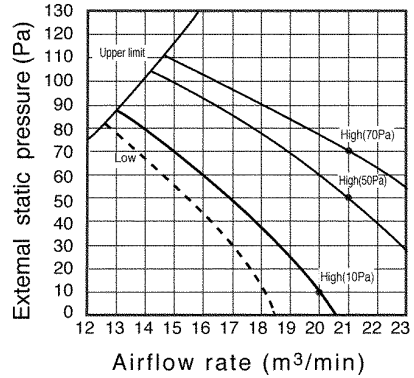


PEAD-RP60GA

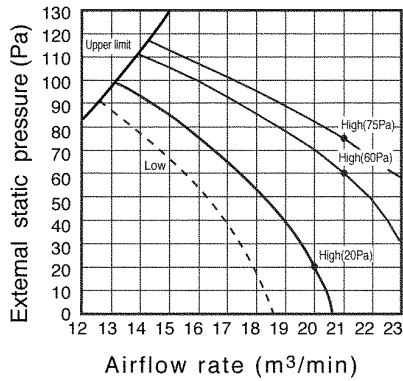
Fan performance <220V>



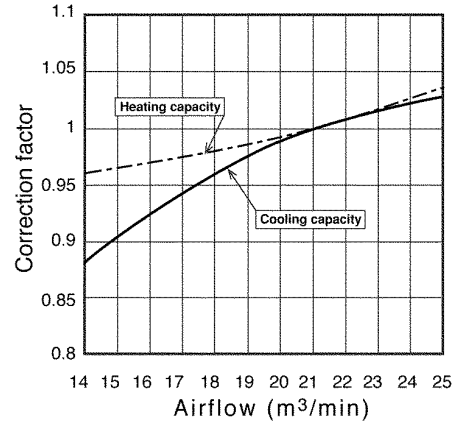
Fan performance <230V>



Fan performance <240V>

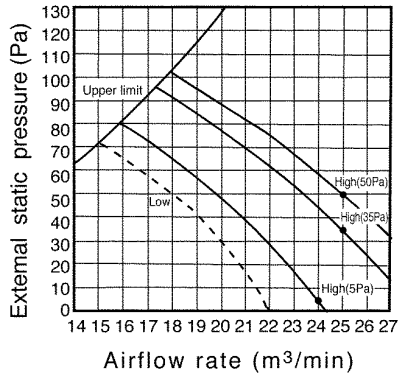


Corrected air flow

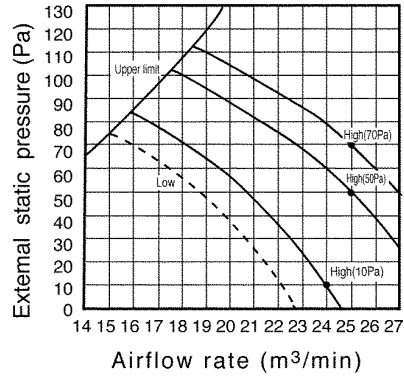


PEAD-RP71GA

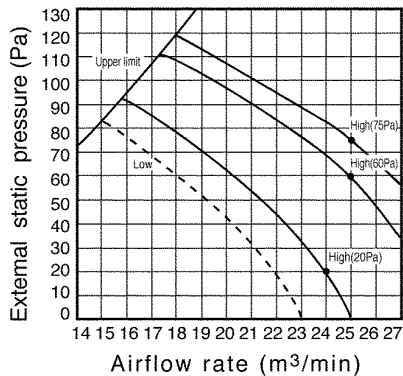
Fan performance <220V>



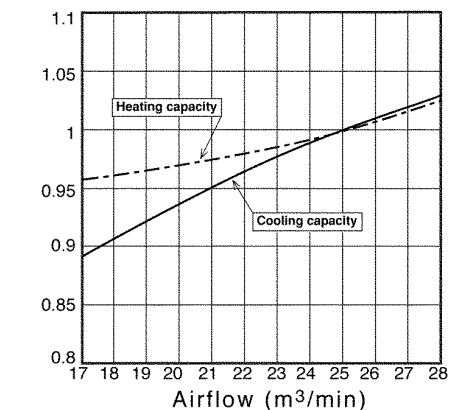
Fan performance <230V>



Fan performance <240V>

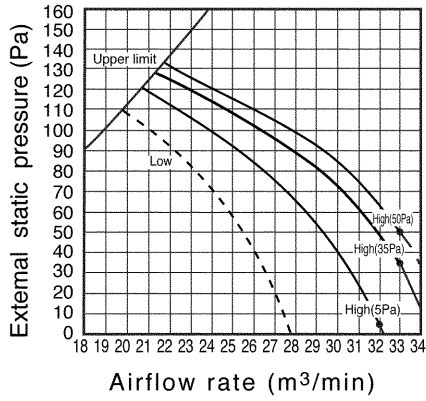


Corrected air flow

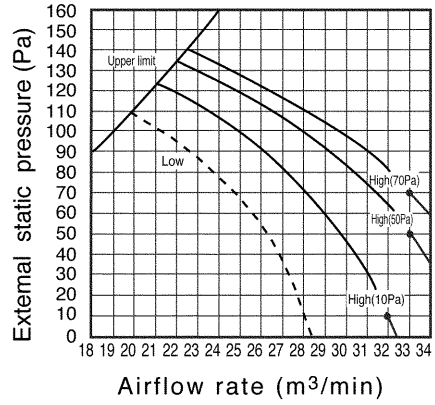


PEAD-RP100GA

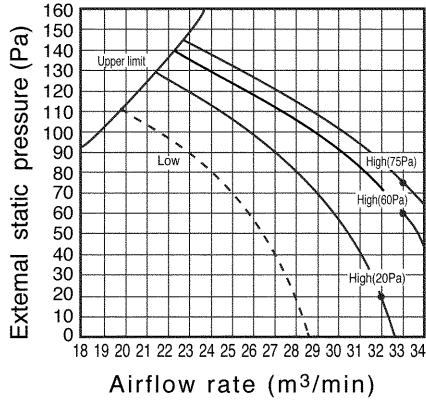
Fan performance <220V>



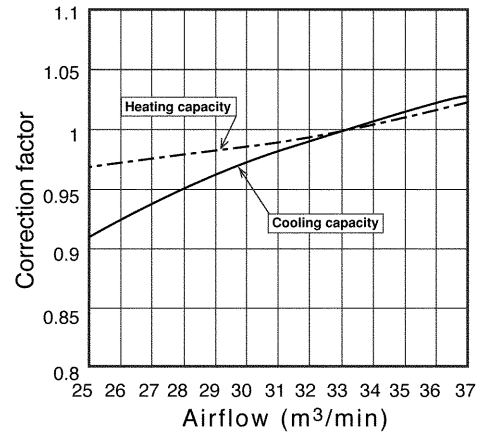
Fan performance <230V>



Fan performance <240V>



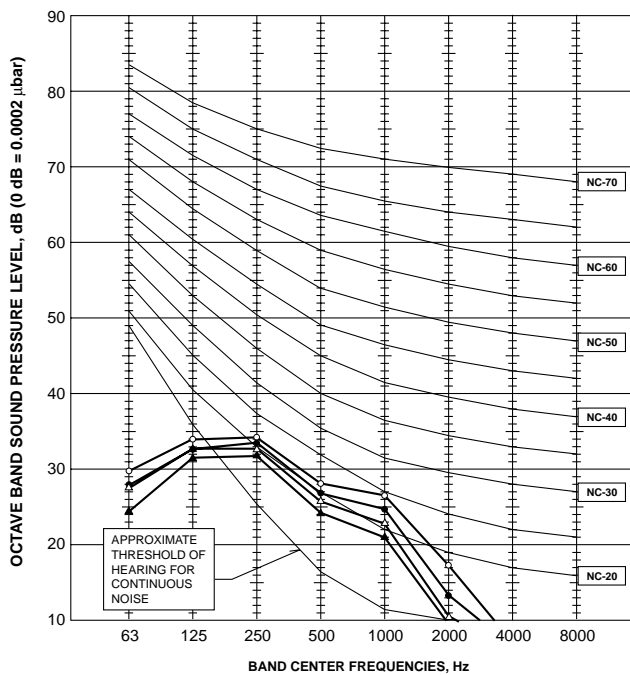
Corrected air flow



10-1. INDOOR UNIT

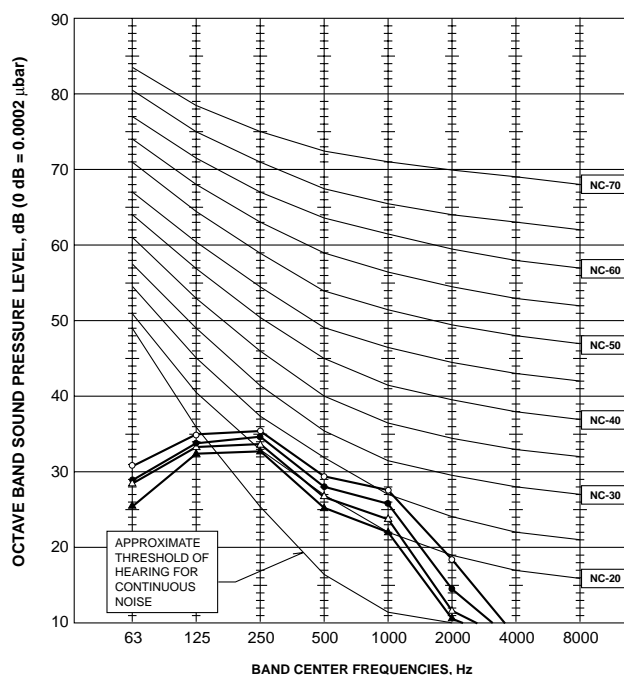
PLA-RP35BA

NOTCH	SPL(dB)	LINE
High	31	○—○
Medium1	29	●—●
Medium2	28	△—△
Low	27	▲—▲



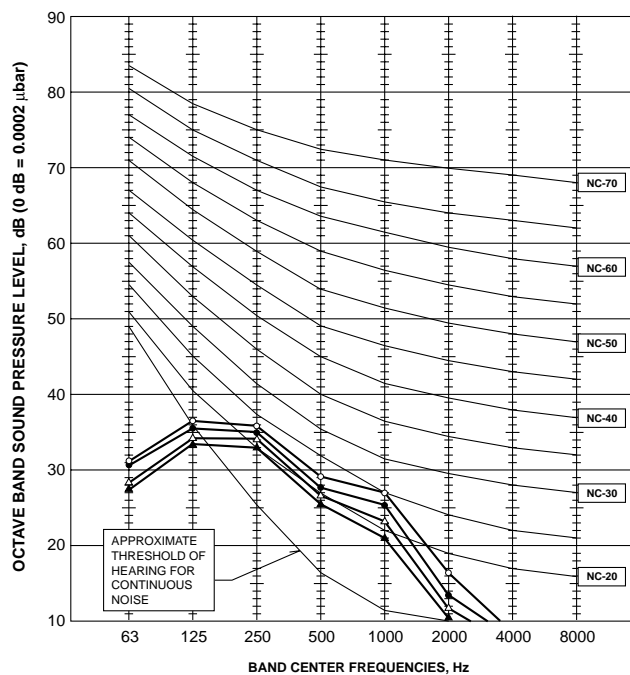
PLA-RP50BA

NOTCH	SPL(dB)	LINE
High	32	○—○
Medium1	31	●—●
Medium2	29	△—△
Low	28	▲—▲



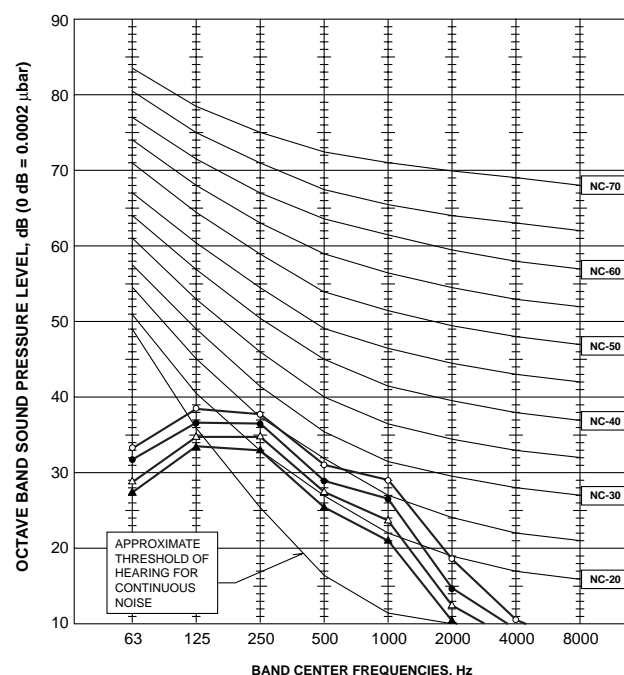
PLA-RP60BA

NOTCH	SPL(dB)	LINE
High	32	○—○
Medium1	31	●—●
Medium2	29	△—△
Low	28	▲—▲



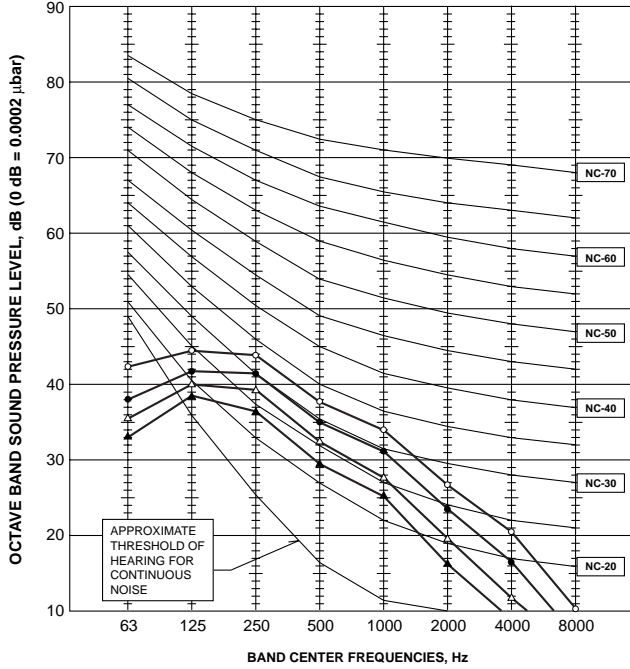
PLA-RP71BA

NOTCH	SPL(dB)	LINE
High	34	○—○
Medium1	32	●—●
Medium2	30	△—△
Low	28	▲—▲



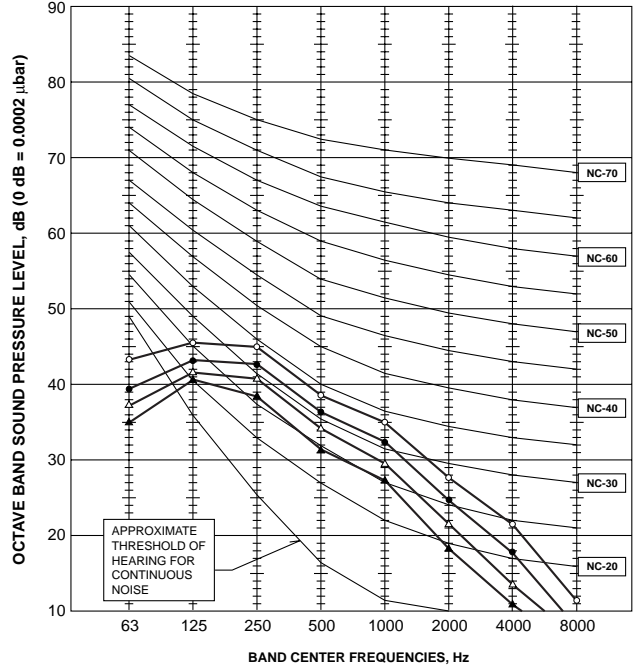
PLA-RP100BA

NOTCH	SPL(dB)	LINE
High	40	○—○
Medium1	37	●—●
Medium2	34	△—△
Low	32	▲—▲



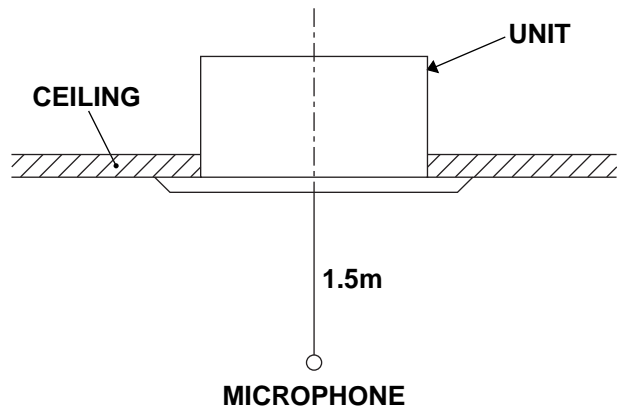
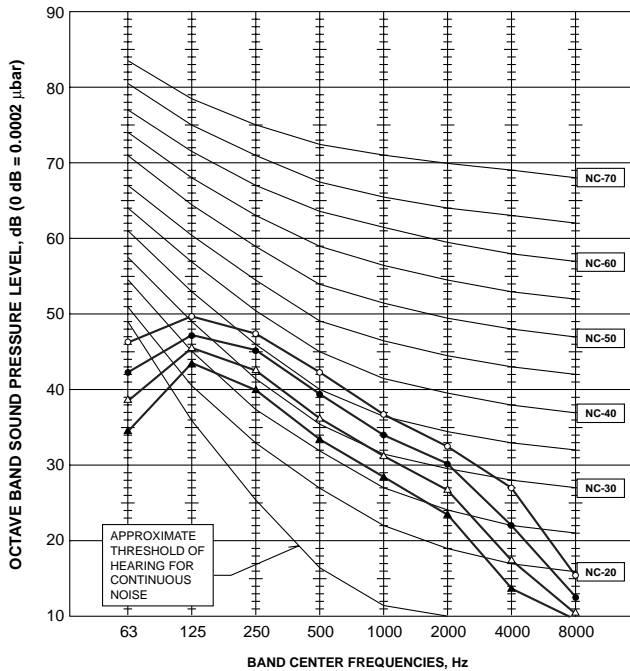
PLA-RP125BA

NOTCH	SPL(dB)	LINE
High	41	○—○
Medium1	39	●—●
Medium2	36	△—△
Low	34	▲—▲



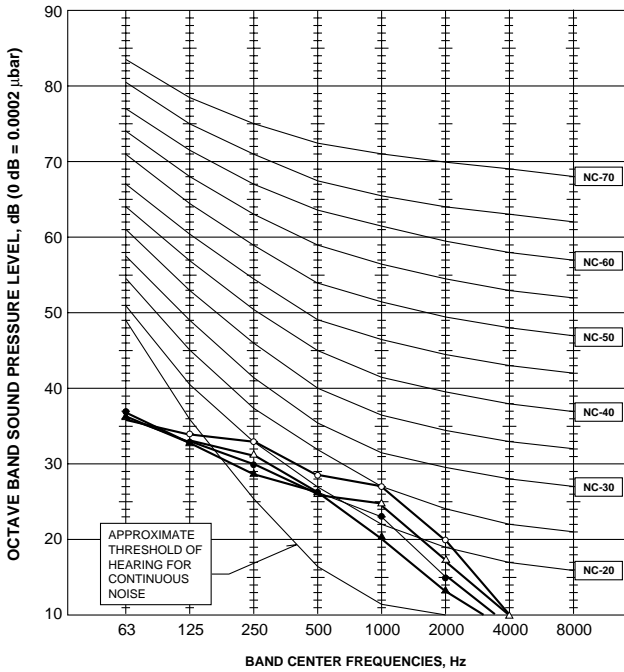
PLA-RP140BA

NOTCH	SPL(dB)	LINE
High	44	○—○
Medium1	42	●—●
Medium2	39	△—△
Low	36	▲—▲



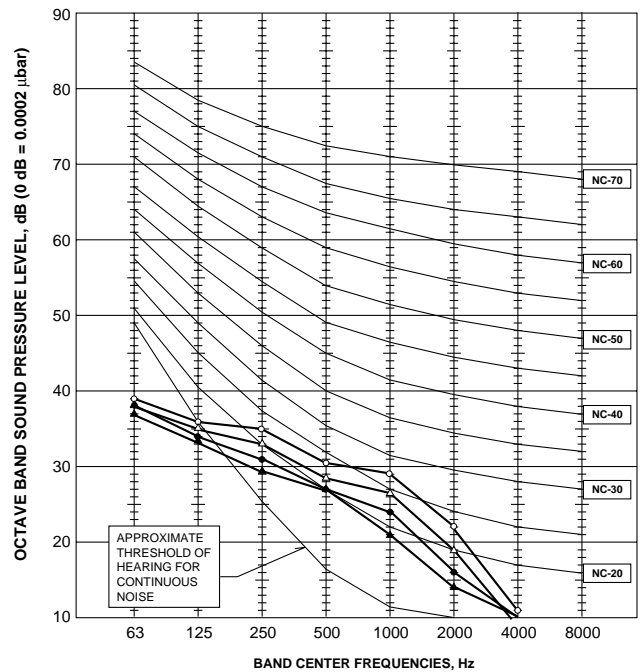
PLA-RP35AA

NOTCH	SPL(dB)	LINE
High	31	○—○
Medium1	29	△—△
Medium2	28	●—●
Low	27	▲—▲



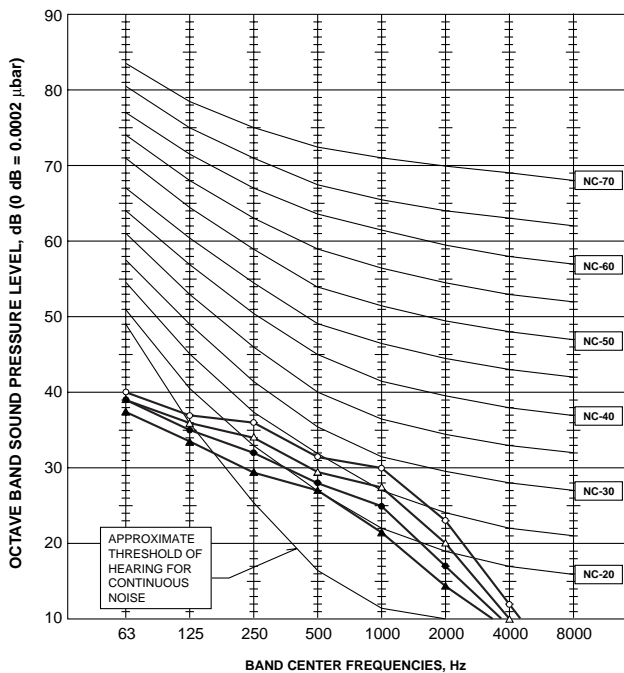
PLA-RP50AA PLA-RP60AA

NOTCH	SPL(dB)	LINE
High	33	○—○
Medium1	31	△—△
Medium2	29	●—●
Low	28	▲—▲



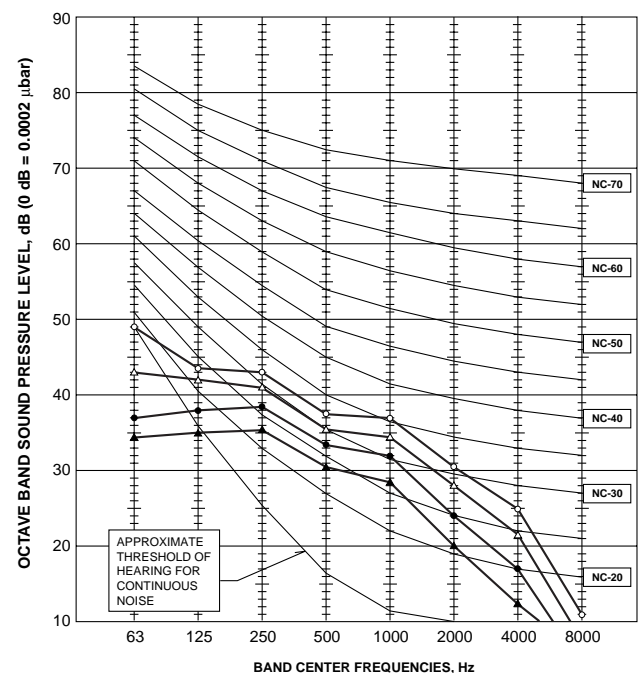
PLA-RP71AA

NOTCH	SPL(dB)	LINE
High	34	○—○
Medium1	32	△—△
Medium2	30	●—●
Low	28	▲—▲



PLA-RP100AA2

NOTCH	SPL(dB)	LINE
High	41	○—○
Medium1	39	△—△
Medium2	36	●—●
Low	33	▲—▲

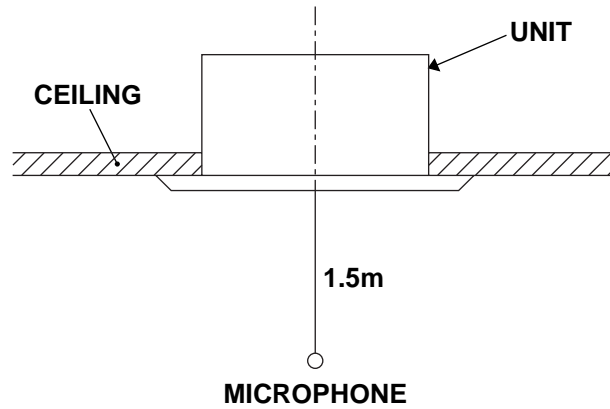
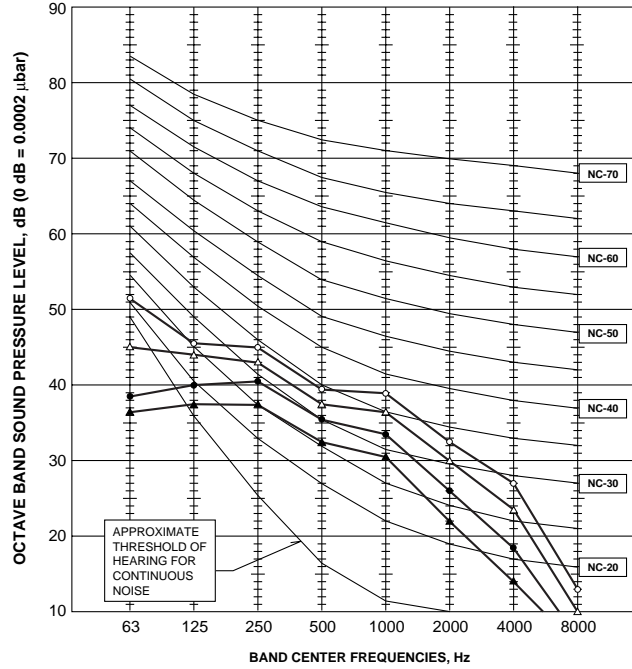
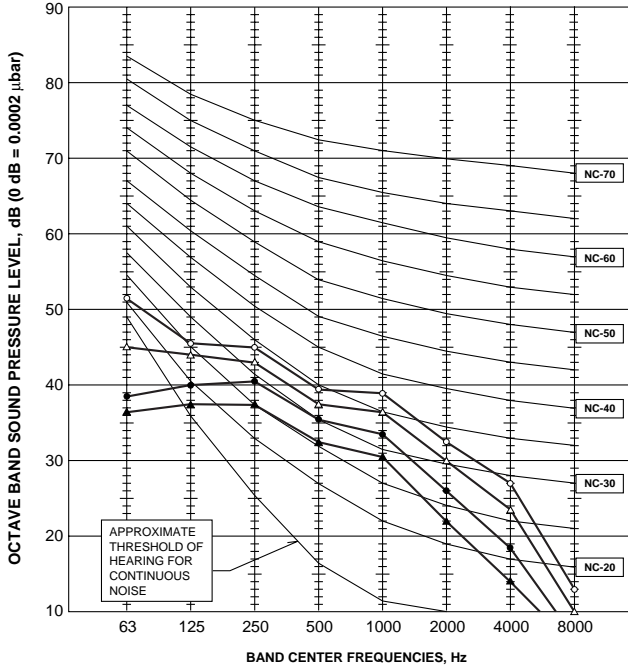


PLA-RP125AA2

NOTCH	SPL(dB)	LINE
High	45	○—○
Medium1	43	△—△
Medium2	40	●—●
Low	37	◄—►

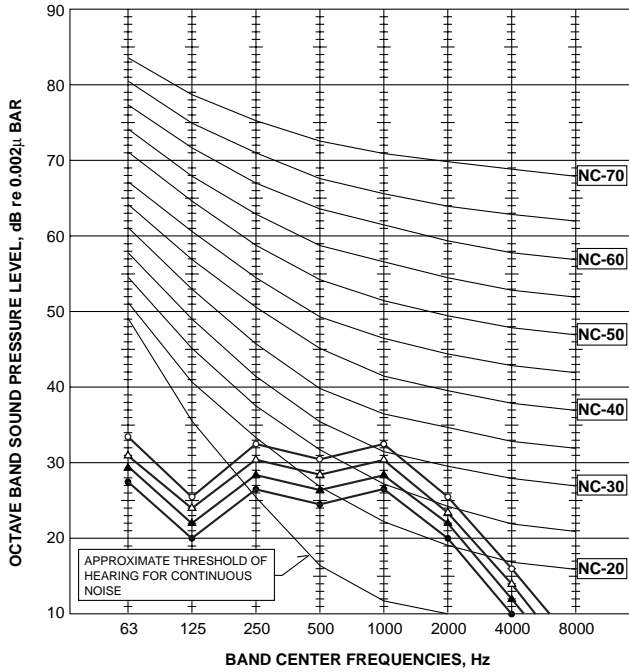
PLA-RP140AA2

NOTCH	SPL(dB)	LINE
High	45	○—○
Medium1	43	△—△
Medium2	40	●—●
Low	37	◄—►



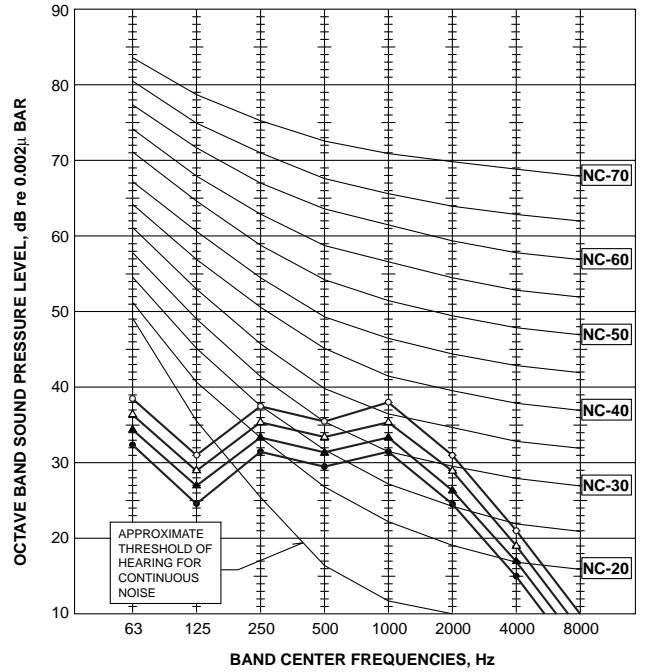
PMH-P25BA

NOTCH	SPL(dB)	LINE
High	35	○—○
Medium1	33	△—△
Medium2	31	▲—▲
Low	29	●—●



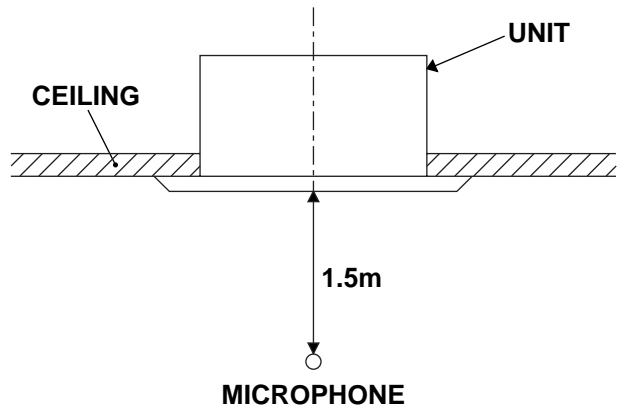
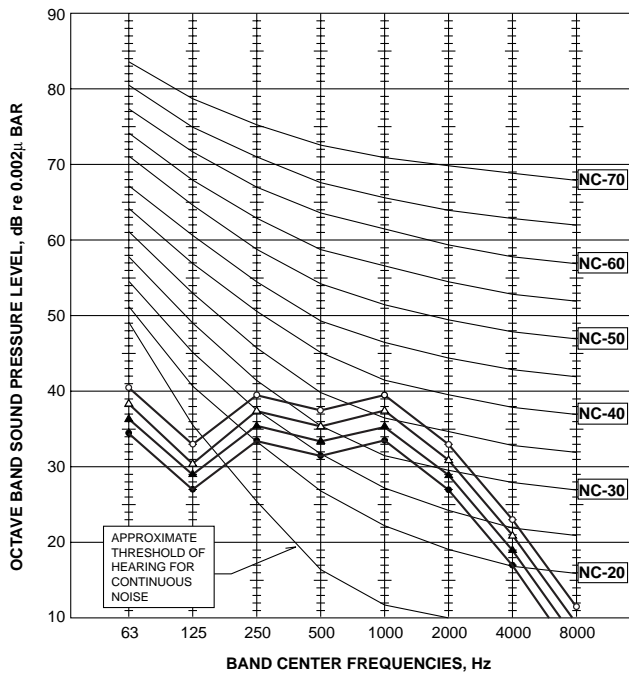
PMH-P35BA

NOTCH	SPL(dB)	LINE
High	40	○—○
Medium1	38	△—△
Medium2	36	▲—▲
Low	34	●—●

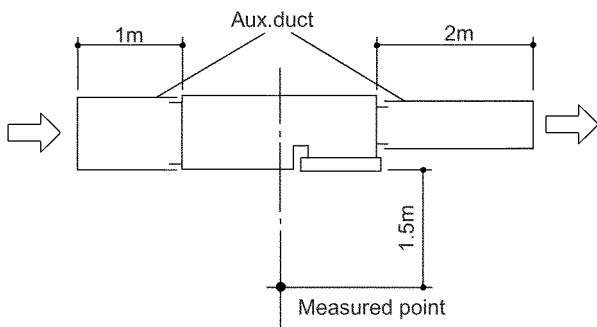


PMH-P50BA

NOTCH	SPL(dB)	LINE
High	42	○—○
Medium1	40	△—△
Medium2	38	▲—▲
Low	36	●—●



Ceiling concealed

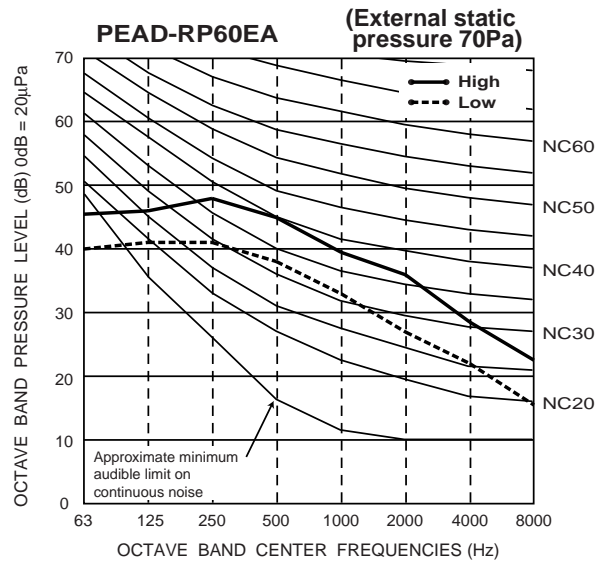
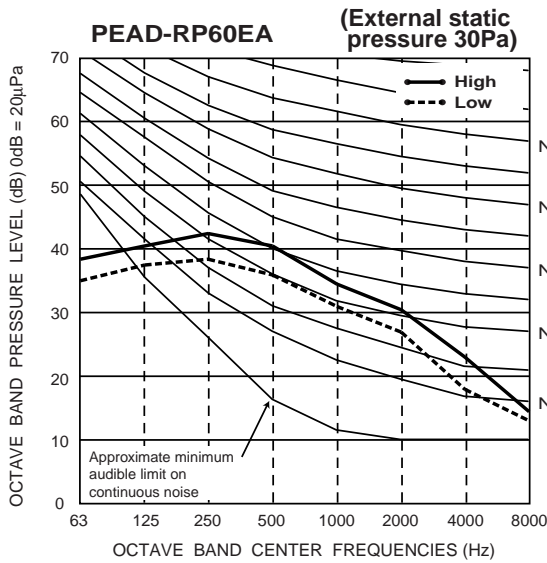
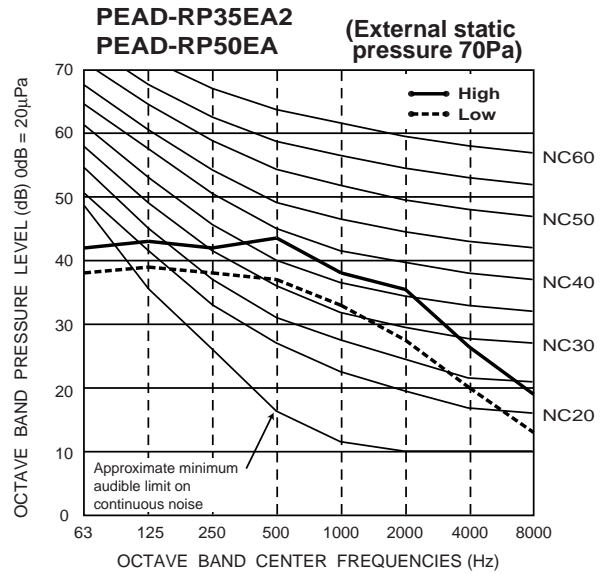
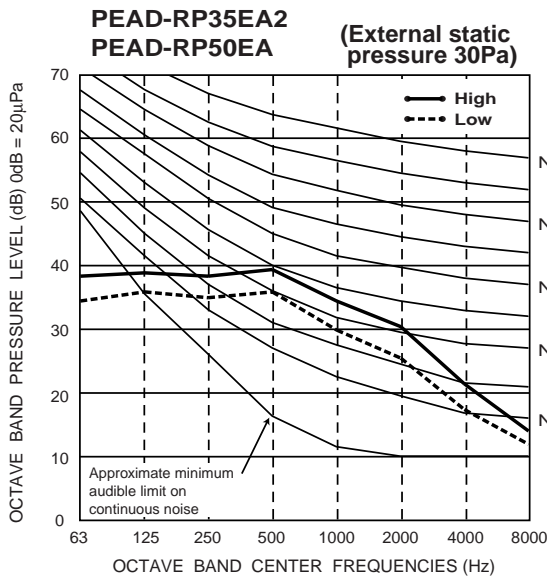


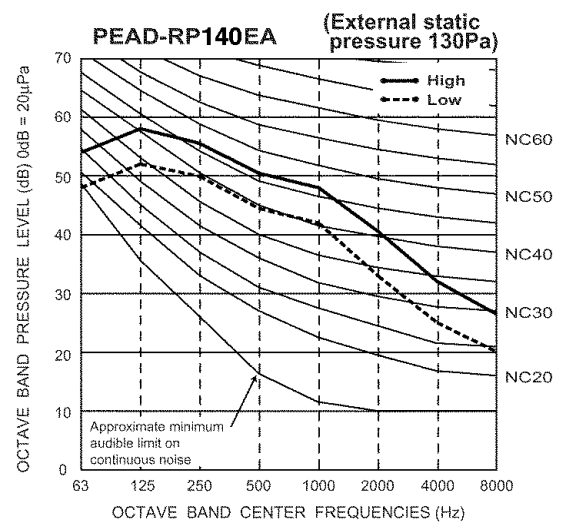
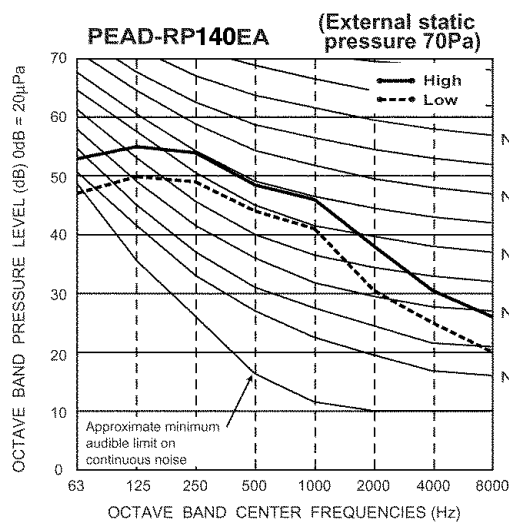
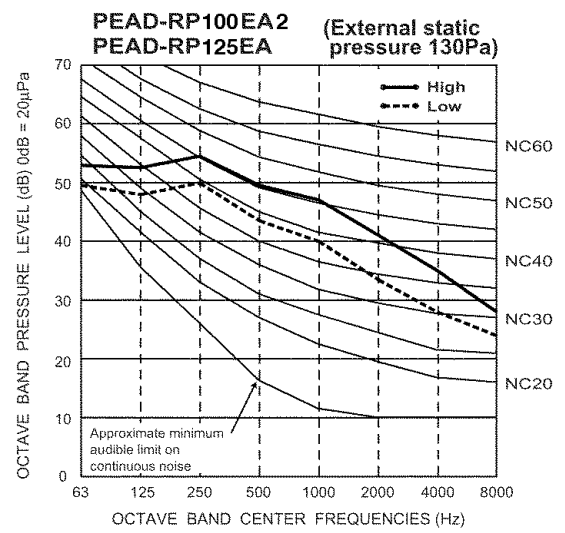
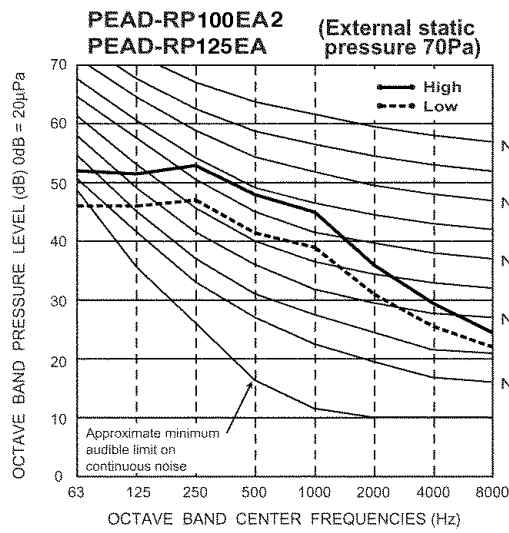
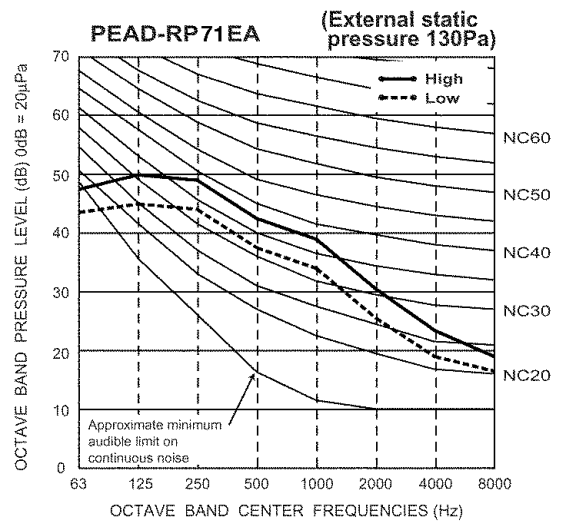
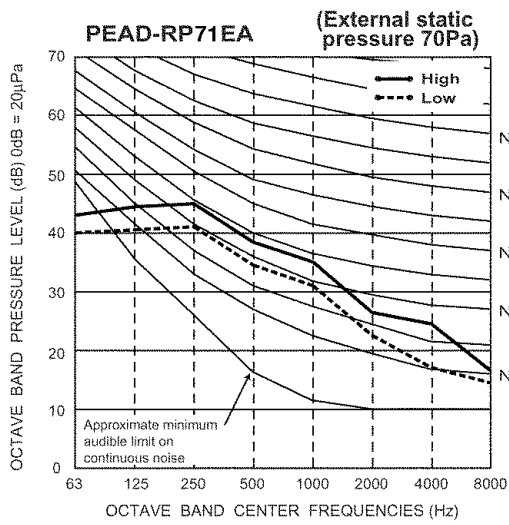
Noise level at anechoic room (Low-High)

Unit : dB(A)

Model	External static pressure		
	30Pa	70Pa	130Pa
PEAD-RP35EA2	36-40	38-44	-
PEAD-RP50EA	36-40	38-44	-
PEAD-RP60EA	37-41	39-46	-
PEAD-RP71EA	-	37-41	40-45 *
PEAD-RP100EA2	-	44-50	46-52*
PEAD-RP125EA	-	44-50	46-52 *
PEAD-RP140EA	-	46-51	47-53 *

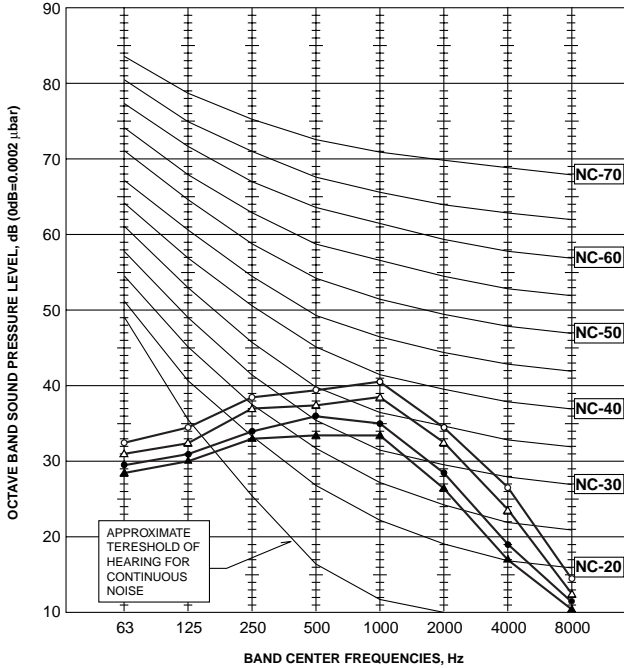
* Optional motor





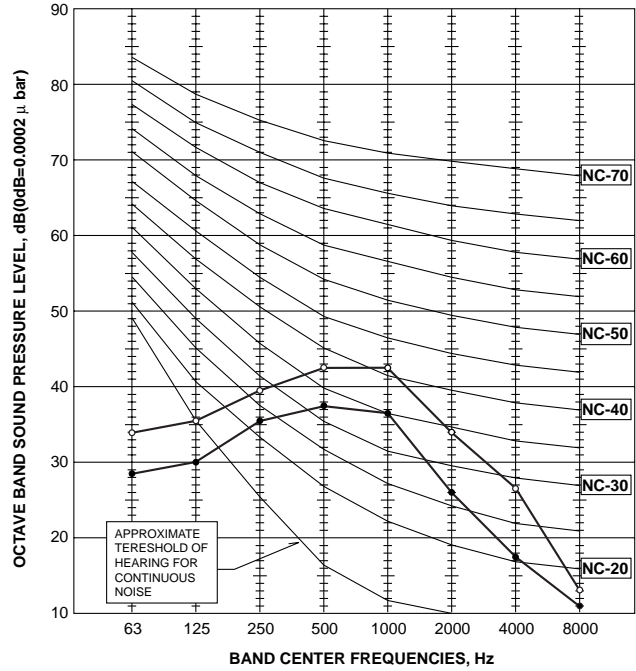
**PKA-RP35GAL
PKA-RP50GAL**

NOTCH	SPL(dB)	LINE
High	43	○—○
Medium1	41	△—△
Medium2	38	●—●
Low	36	▲—▲



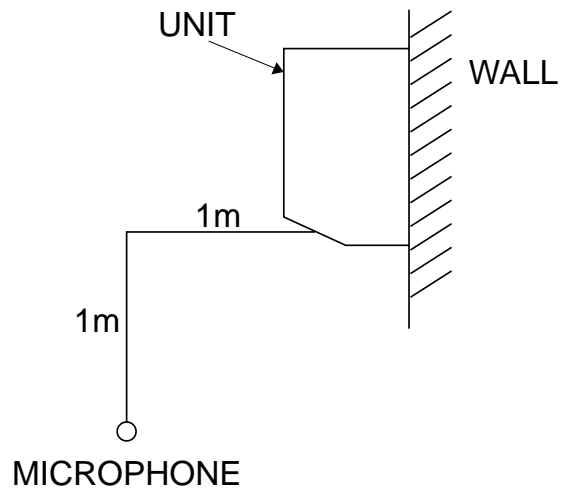
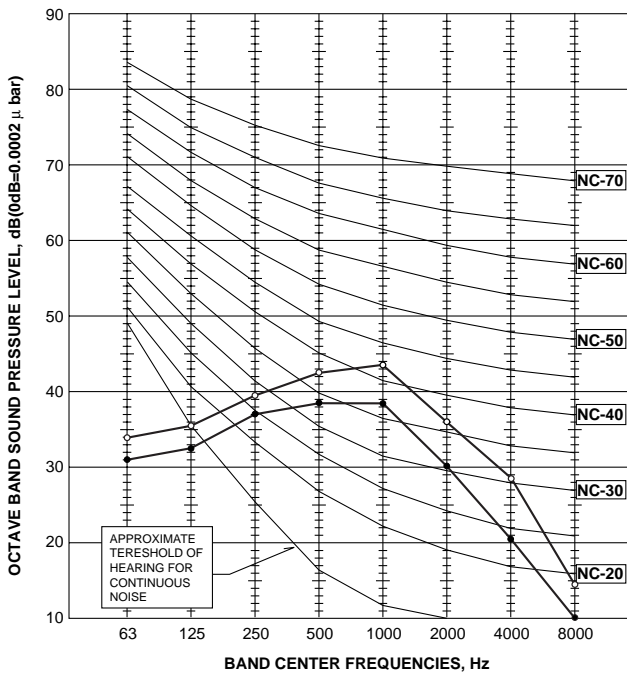
**PKA-RP50FAL2
PKA-RP60FAL
PKA-RP71FAL**

NOTCH	SPL(dB)	LINE
High	45	○—○
Low	39	●—●



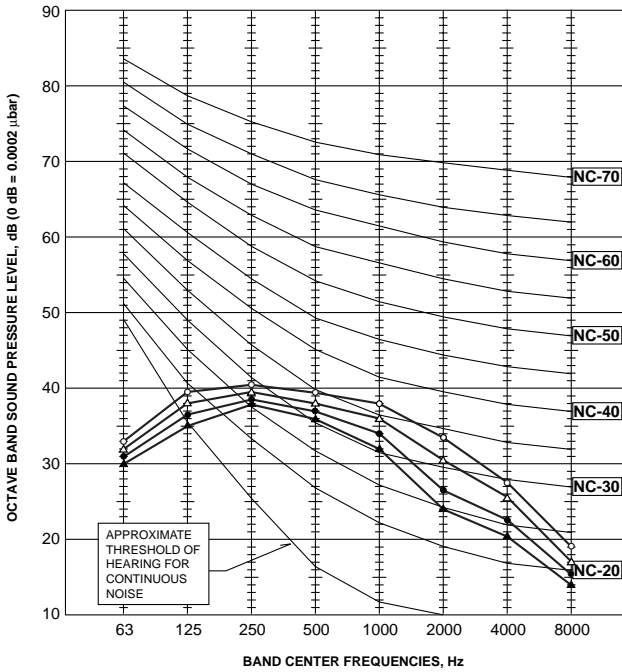
PKA-RP100FAL

NOTCH	SPL(dB)	LINE
High	46	○—○
Low	41	●—●



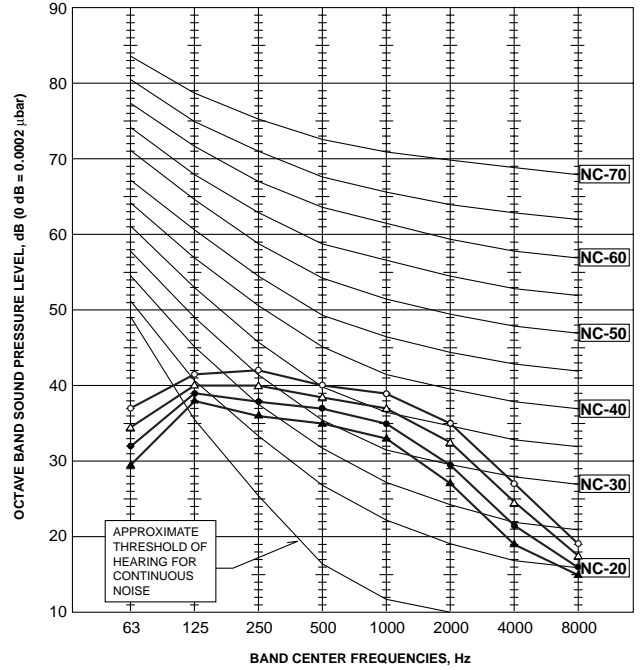
PCA-RP50GA

NOTCH	SPL(dB)	LINE
High	42	○—○
Medium1	40	△—△
Medium2	38	●—●
Low	37	▲—▲



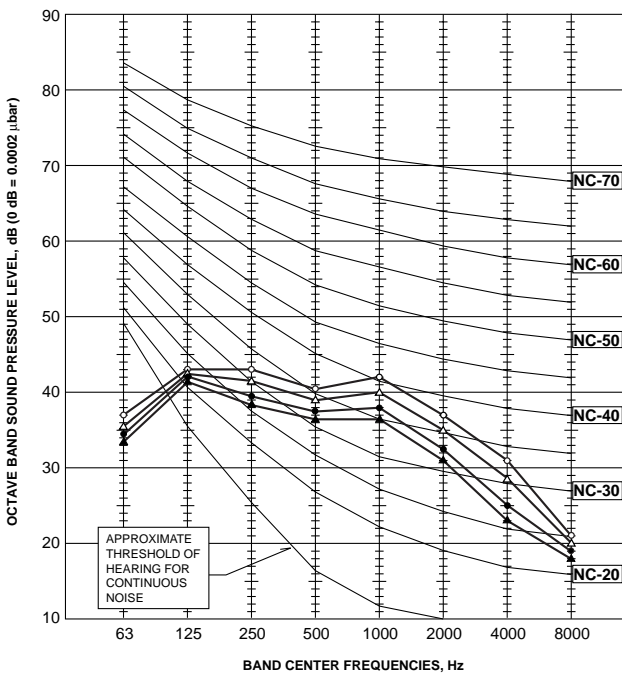
PCA-RP50GA2 PCA-RP60GA PCA-RP71GA

NOTCH	SPL(dB)	LINE
High	43	○—○
Medium1	41	△—△
Medium2	39	●—●
Low	37	▲—▲



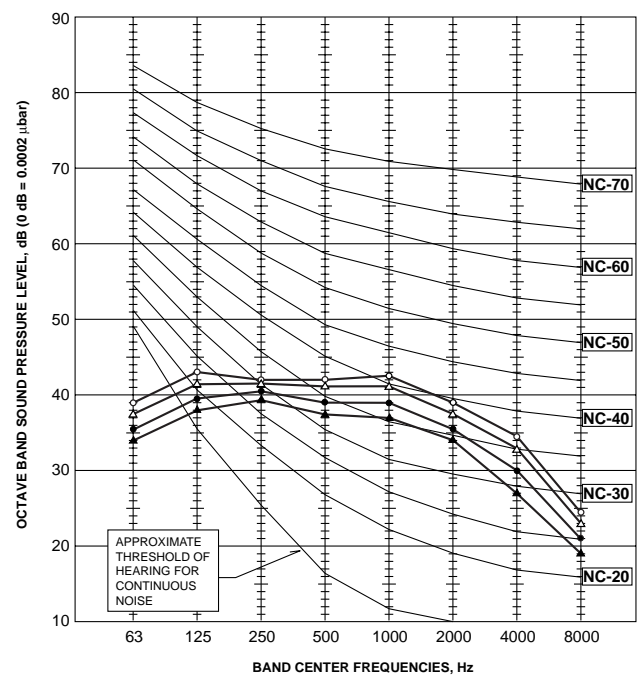
PCA-RP100GA

NOTCH	SPL(dB)	LINE
High	45	○—○
Medium1	43	△—△
Medium2	41	●—●
Low	40	▲—▲



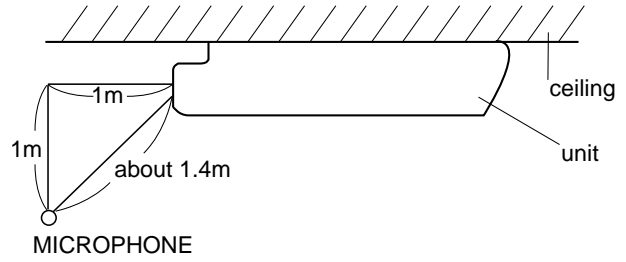
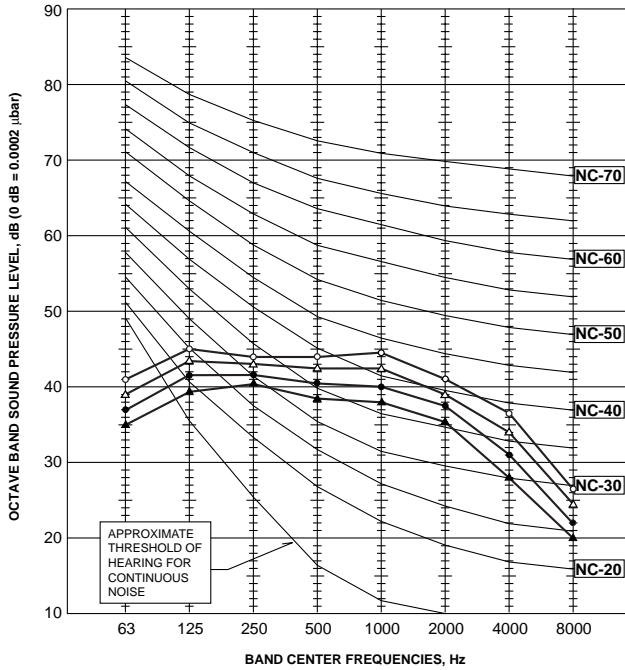
PCA-RP125GA

NOTCH	SPL(dB)	LINE
High	46	○—○
Medium1	45	△—△
Medium2	43	●—●
Low	41	▲—▲



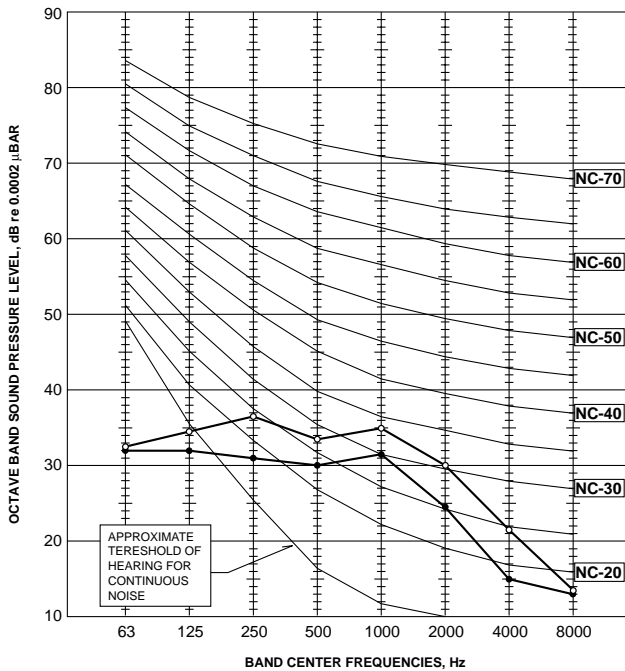
PCA-RP140GA

NOTCH	SPL(dB)	LINE
High	48	○—○
Medium1	46	△—△
Medium2	44	●—●
Low	42	▲—▲



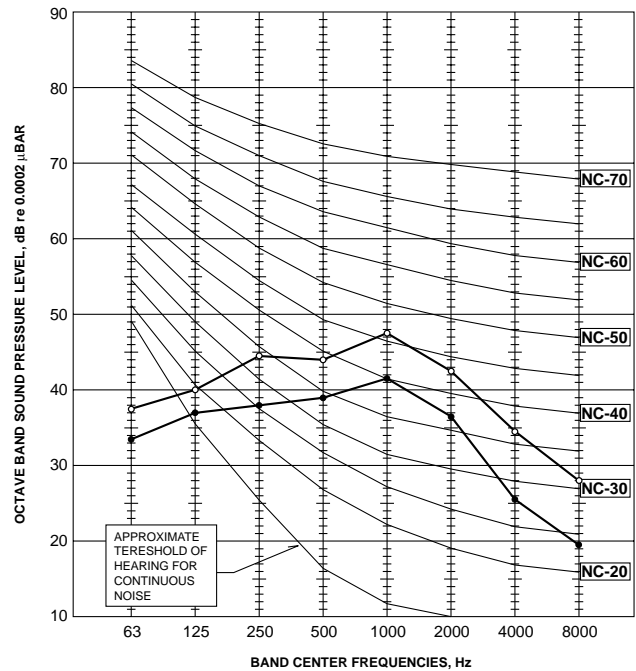
PCA-RP71HA

NOTCH	SPL(dB)	LINE
High	38	○—○
Low	34	●—●



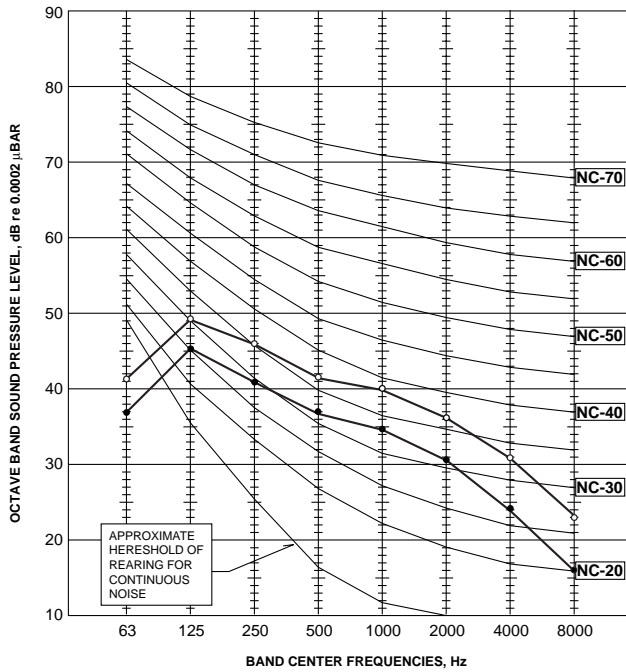
PCA-RP125HA

NOTCH	SPL(dB)	LINE
High	50	○—○
Low	44	●—●



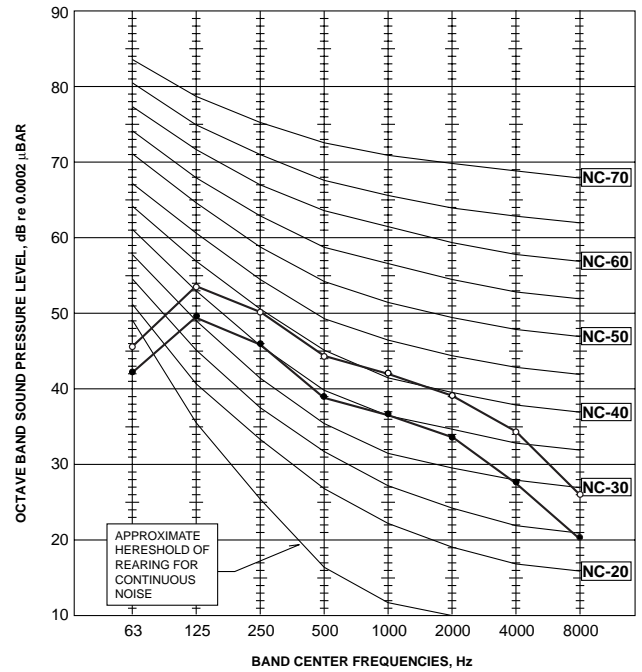
PSA-RP71GA

NOTCH	SPL(dB)	LINE
High	45	○—○
Low	40	●—●



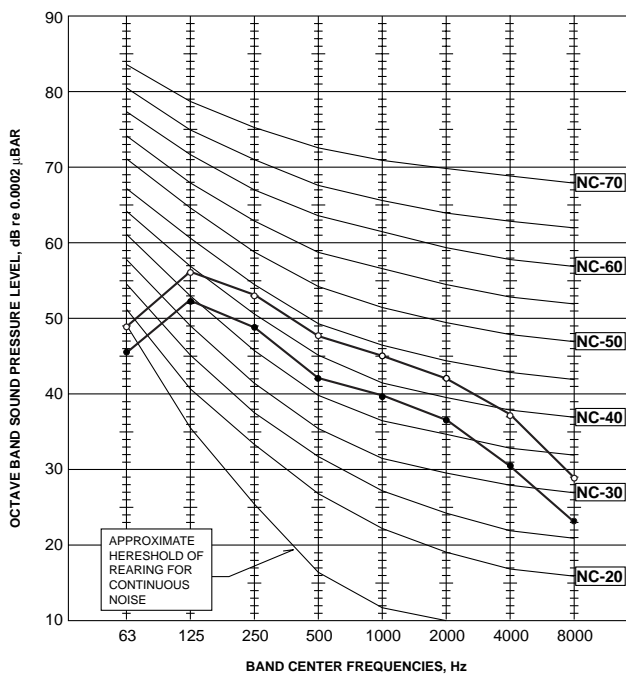
PSA-RP100GA

NOTCH	SPL(dB)	LINE
High	49	○—○
Low	44	●—●



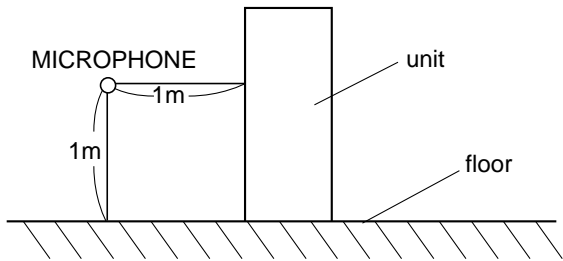
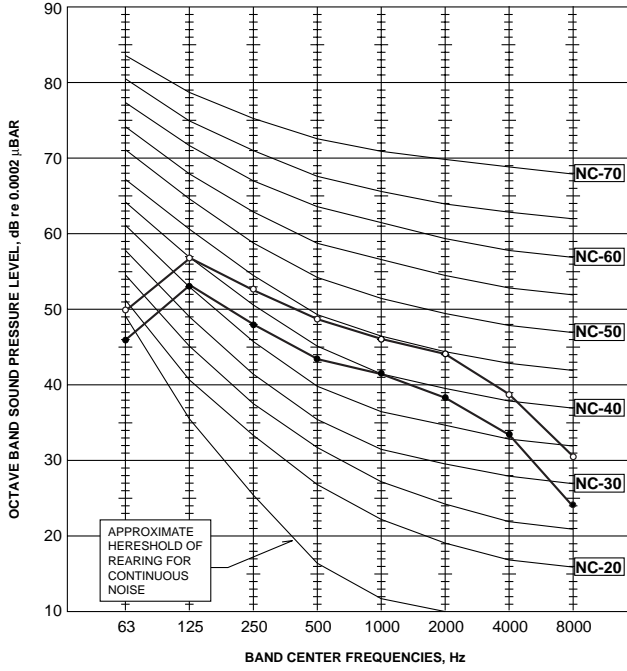
PSA-RP125GA

NOTCH	SPL(dB)	LINE
High	51	○—○
Low	46	●—●



PSA-RP140GA

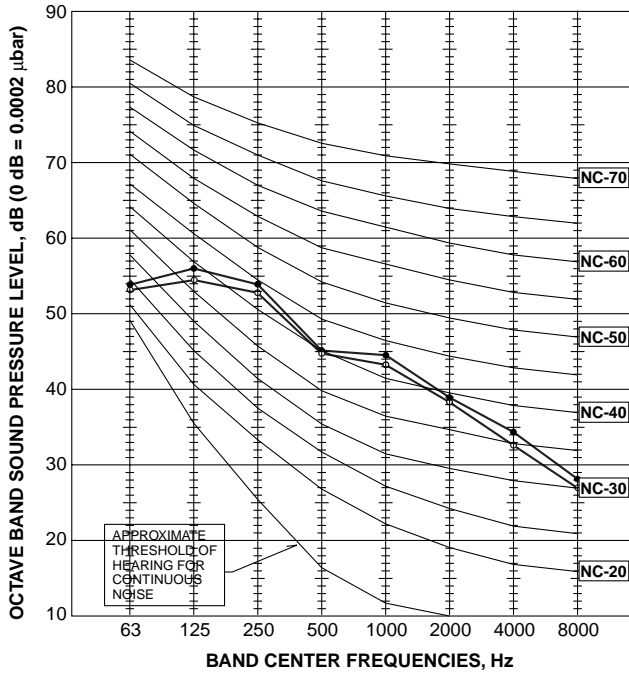
NOTCH	SPL(dB)	LINE
High	52	○—○
Low	47	●—●



10-2. OUTDOOR UNIT

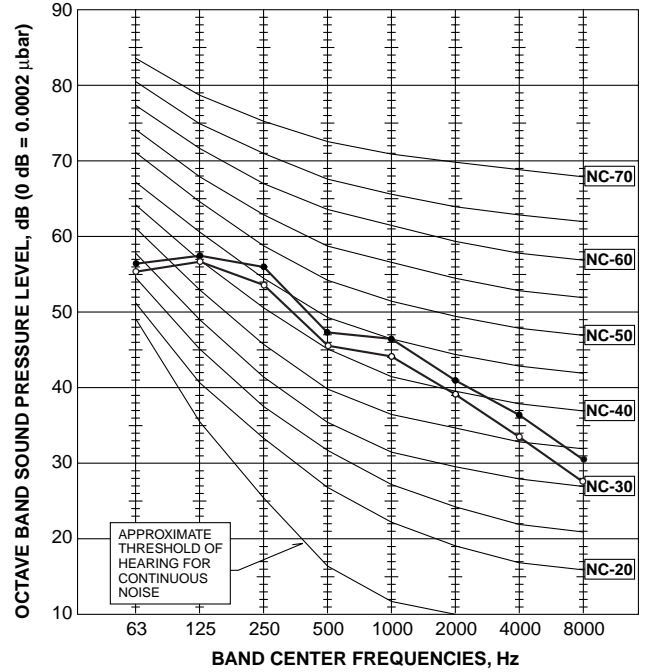
PUH-P71VHA
 PUH-P71YHA
 PU-P71VHA
 PU-P71YHA

MODE	SPL(dB)	LINE
COOLING	49	○—○
HEATING	50	●—●



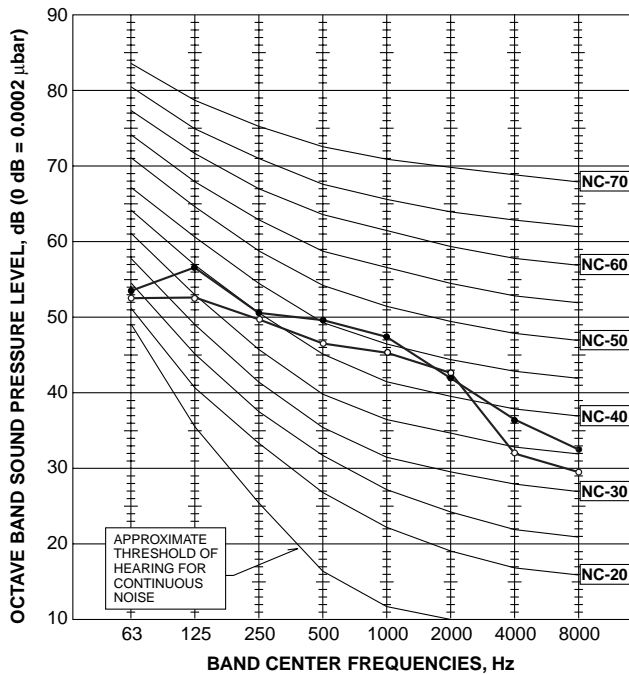
PUH-P100VHA
 PUH-P100YHA
 PU-P100VHA
 PU-P100YHA

MODE	SPL(dB)	LINE
COOLING	50	○—○
HEATING	52	●—●



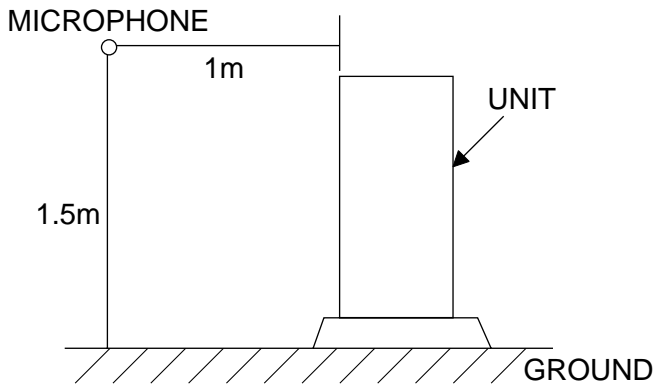
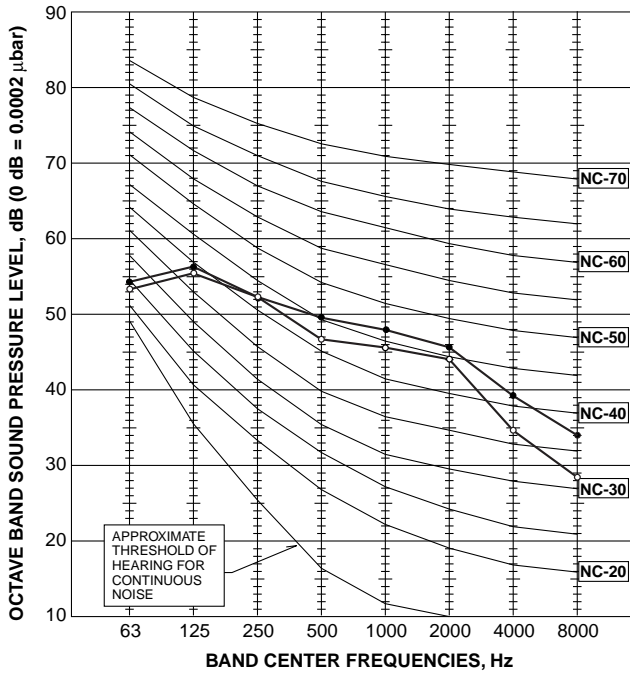
PUH-P125YHA
 PU-P125YHA

MODE	SPL(dB)	LINE
COOLING	50	○—○
HEATING	52	●—●



PUH-P140YHA
PU-P140YHA

MODE	SPL(dB)	LINE
COOLING	51	○—○
HEATING	53	●—●



11-1. INDOOR UNIT

Part Name		Model Name	Applicable model
Remote sensor		PAC-SE41TS-E	All models
Remote operation adapter		PAC-SF40RM-E	
Multiple remote controller adapter		PAC-SA88HA-E (1pc.)	
		PAC-725AD (10pcs.)	
Remote on/off adapter		PAC-SE55RA-E	
Power supply terminal kit	L/N/Earth	PAC-SG96HR-E	PLA-RP-AA(2), PEAD-RP-EA(2) PCA-RP-GA(2), PKA-RP-GAL/FAL(2) PSA-RP-GA
		PAC-SH52HR-E	PLA-RP-BA
	L/N	PAC-SG97HR-E	PCA-RP-HA PEAD-RP-GA
Multi-function casement		PAC-SH53TM-E	PLA-RP-BA
Flange for fresh air intake		PAC-SH65OF-E	
High-efficiency filter element (PAC-SH53TM-E is needed.)		PAC-SH59KF-E	
Decoration panel with Wireless remote controller		PLP-6BALM	
Decoration panel with Wired remote controller		PLP-6BAM	
Automatic filter elevation panel		PLP-6BAJ	
i-see sensor corner panel		PAC-SA1ME-E	
Wireless signal receiver		PAR-SA9FA-E	
Space panel		PAC-SH48AS-E	
Air outlet shutter plate		PAC-SH51SP-E	
Decoration panel		PLP-6BA	
Multi-functional casement		PAC-SG03TM-E	PLA-RP-AA PLA-RP-AA2
High-efficiency filter element (PAC-SG03TM-E is needed.)		PAC-SG01KF	
Grille + Wireless remote controller		PLP-6AALM	
Grille + Wired remote controller		PLP-6AAMD	
Space panel		PAC-SG04AS-E	
Air outlet shutter plate		PAC-SG06SP-E	
Wireless remote controller + Wireless Adapter		PAR-SL99B-E	PCA-RP-GA(2)
Drain lift up mechanism		PAC-SH20DM-E	PCA-RP50,60GA(2)
		PAC-SH21DM-E	PCA-RP71GA
		PAC-SH22DM-E	PCA-RP100,125,140GA
High-efficiency filter		PAC-SE80KF-E	PCA-RP50GA
		PAC-SE81KF-E	PCA-RP50GA2, PCA-RP60,71,100GA
		PAC-SE82KF-E	PCA-RP125,140GA
Duct flange for fresh air		PAC-SF28OF-E	PCA-RP-HA
Oil mist filter element (12pcs)		PAC-SG38KF-E	
Decoration cover (Front + Suspending bracket cover)		PAC-SF81KC-E	PCA-RP71HA
		PAC-SF82KC-E	PCA-RP125HA
Wired remote controller (with terminal bed)		PAR-21MAAT-E	PKA-RP-GAL PKA-RP-FAL(2)
			PKA-RP-FAL(2)
Drain lift up mechanism		PAC-SE90DM-E	PKA-RP-FAL(2)
Motor (for high external static pressure)		PAC-SK003MT-F	PEAD-RP125,140EA PEAD-RP100EA2
			PEAD-RP100EA2
Drain lift up mechanism		PAC-KE03DM-F	PEAD-RP-EA,EA2
Insulation kit		PAC-SK010DK	PEAD-RP-GA

11-2. OUTDOOR UNIT

Part Name		Model Name	Applicable model
M-NET adapter		PAC-SF80MA-E	PU(H)-P71-140
A-control service tool		PAC-SK52ST	PU(H)-P71-140
Drain socket		PAC-SG61DS-E	PU(H)-P71-140
Air outlet guide (P125, 140 needs two piece)		PAC-SG59SG-E	PU(H)-P71-140
Air protect guide (P125, 140 needs two piece)		PAC-SG57AG-E	PU(H)-P71-140
Drain pan		PAC-SG64DP-E	PU(H)-P71-140
Filter dryer	(ϕ 9.52)	PAC-SG82DR-E	PU(H)-P71-140
Distribution pipe	(Twin)	MSDD-50SR-E	PU(H)-P71-140
	(Triple)	MSDT-111R-E	PU(H)-P140
Joint pipe (Unit → Extension pipe)	(ϕ 15.88 → ϕ 19.05)	PAC-SG75RJ-E	PU(H)-P71-140



HEAD OFFICE : TOKYO BLDG., 2-7-3, MARUNOUCHI, CHIYODA-KU, TOKYO 100-8310, JAPAN