

Air Conditioning

Product Information

SLZ-KA25VAQ : Inverter Heat Pump

R410A 4-Way Blow Ceiling Cassette System



The SLZ series is perfect for both residential and small business applications, as it offers inverter technology alongside quiet operation. The compact size of this unit is ideal for 600 x 600mm ceilings and with a height of 208mm, this lightweight unit makes installation a breeze. This unit also comes complete with a long life filter that will last for approximately 2,500 hours.

FEATURES



INDOOR

Heating Capacity (kW) (nominal)	2.8 (0.9 - 4.5)
Cooling Capacity (kW) (nominal)	2.6 (0.9 - 3.2)
Heating Capacity (kW) (UK)	2.4 (0.75 - 3.75)
Cooling Capacity (kW) (UK)	2.39 (0.9 - 3.15)
SHF (nominal and UK)	0.86
COP / EER (nominal)	3.76 / 3.68
SCOP / SEER	3.5 / 4.7
Energy Efficiency Class - Heating / Cooling	A / B
Pipe Size Gas (mm [in])	9.52 (3/8")
Pipe Size Liquid (mm [in])	6.35 (1/4")
Airflow (m ³ /min) Lo-Mi-Hi	8 - 9 - 11
Sound Pressure Level (dBA) Lo-Mi-Hi	29 - 33 - 38
Sound Power Level (dBA) Cooling	57
Weight (kg)	17
Dimensions (mm) Width x Depth x Height	570(650) x 570(650) x 235(20)

Electrical Supply	FED BY OUTDOOR UNIT
Phase	SINGLE
Fuse Rating (BS88) - HRC (A)	6
Interconnecting Cable No. Cores	4

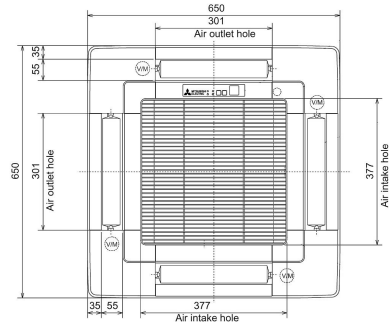
OUTDOOR

Sound Pressure Level (dBA) Heating / Cooling	48 / 47
Sound Power Level (dBA) Cooling	58
Weight (kg)	30
Dimensions (mm) Width x Depth x Height	800 x 285 x 550
Electrical Supply	220-240V, 50HZ
Phase	SINGLE
System Power Input (kW) - Heating / Cooling (nominal)	0.74 / 0.71
System Power Input (kW) - Heating / Cooling (UK)	0.68 / 0.56
Starting Current (A)	3.58
System Running Current (A) [MAX] - Heating / Cooling	3.86 / 3.35 [7.4]
Fuse Rating (BS88) - HRC (A)	10
Mains Cable No. Cores	3
Max Pipe Length (m)	20
Max Height Difference (m)	12
Charge R410A (kg) - pre charged length (m)	0.8 - 7

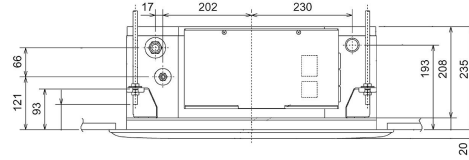
DIMENSIONS

SLZ-KA25VAQ

Lower View >



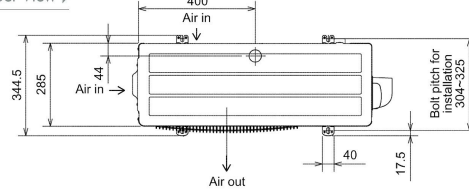
Side View >



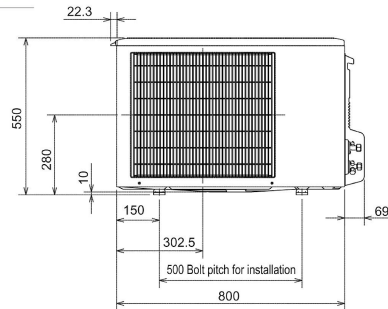
DIMENSIONS

SUZ-KA25VA3

Upper View >



Front View >



Side View >

