

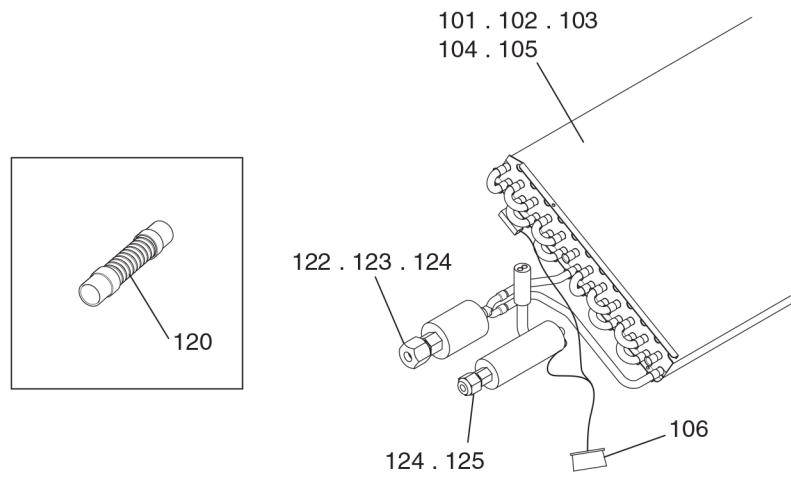
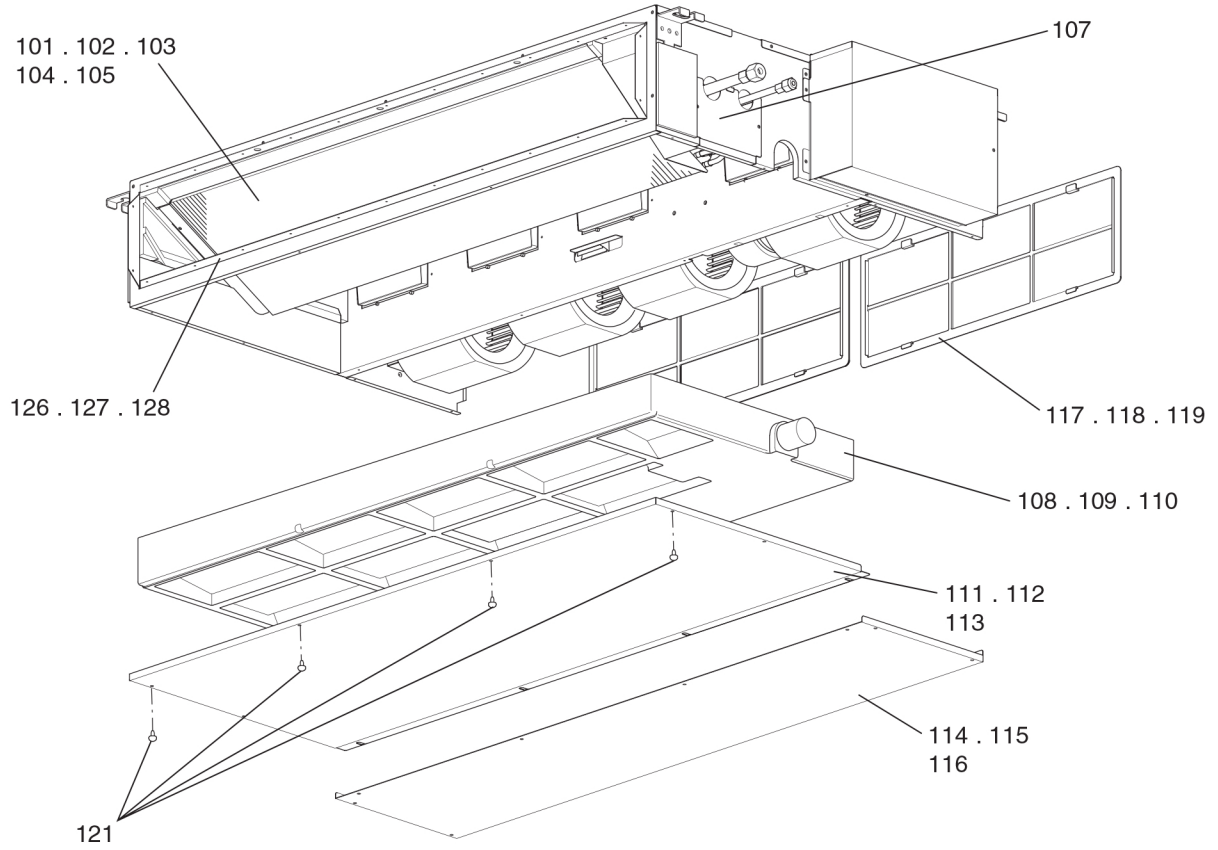
SERVICE PARTS LIST FOR MITSUBISHI ELECTRIC PACKAGED AIR-CONDITIONERS

**Series : SEZ-KD·VAR1.TH
SEZ-KD·VALR1.TH**

Mar. 2012

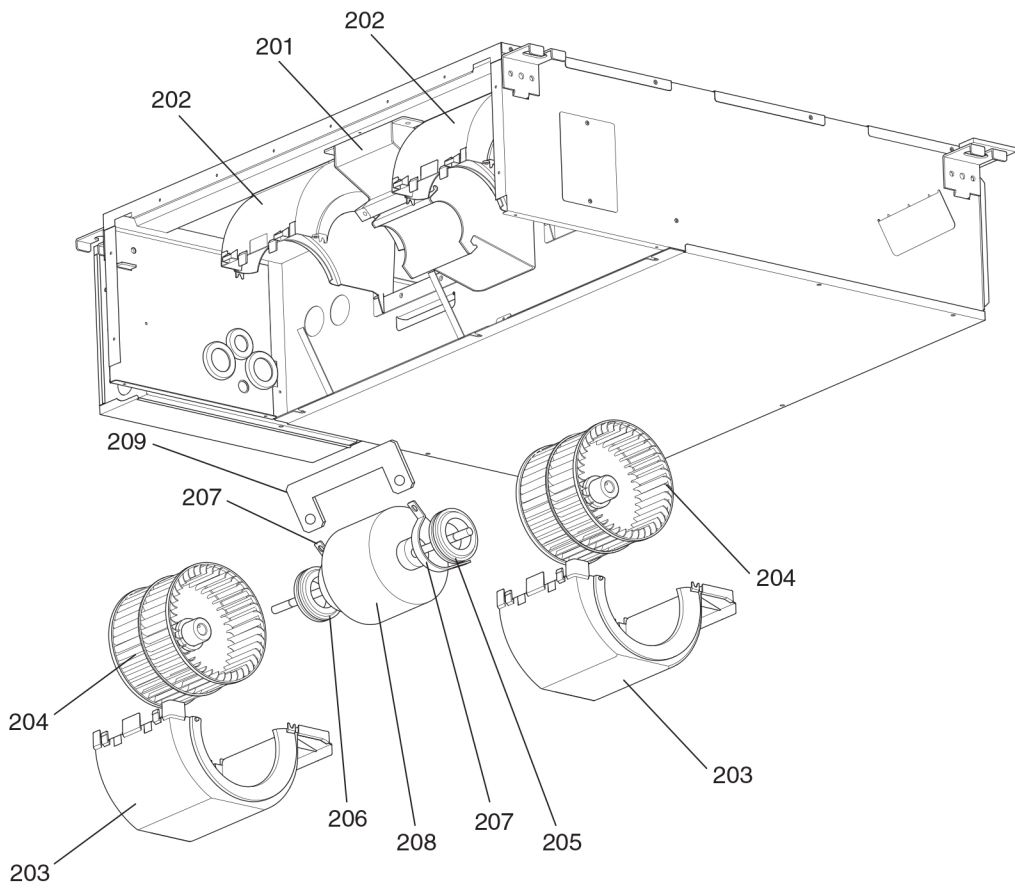
BWE11450

INDEX
SEZ-KD25VAR1.TH
SEZ-KD35VAR1.TH
SEZ-KD50VAR1.TH
SEZ-KD60VAR1.TH
SEZ-KD71VAR1.TH
SEZ-KD25VALR1.TH
SEZ-KD35VALR1.TH
SEZ-KD50VALR1.TH
SEZ-KD60VALR1.TH
SEZ-KD71VALR1.TH

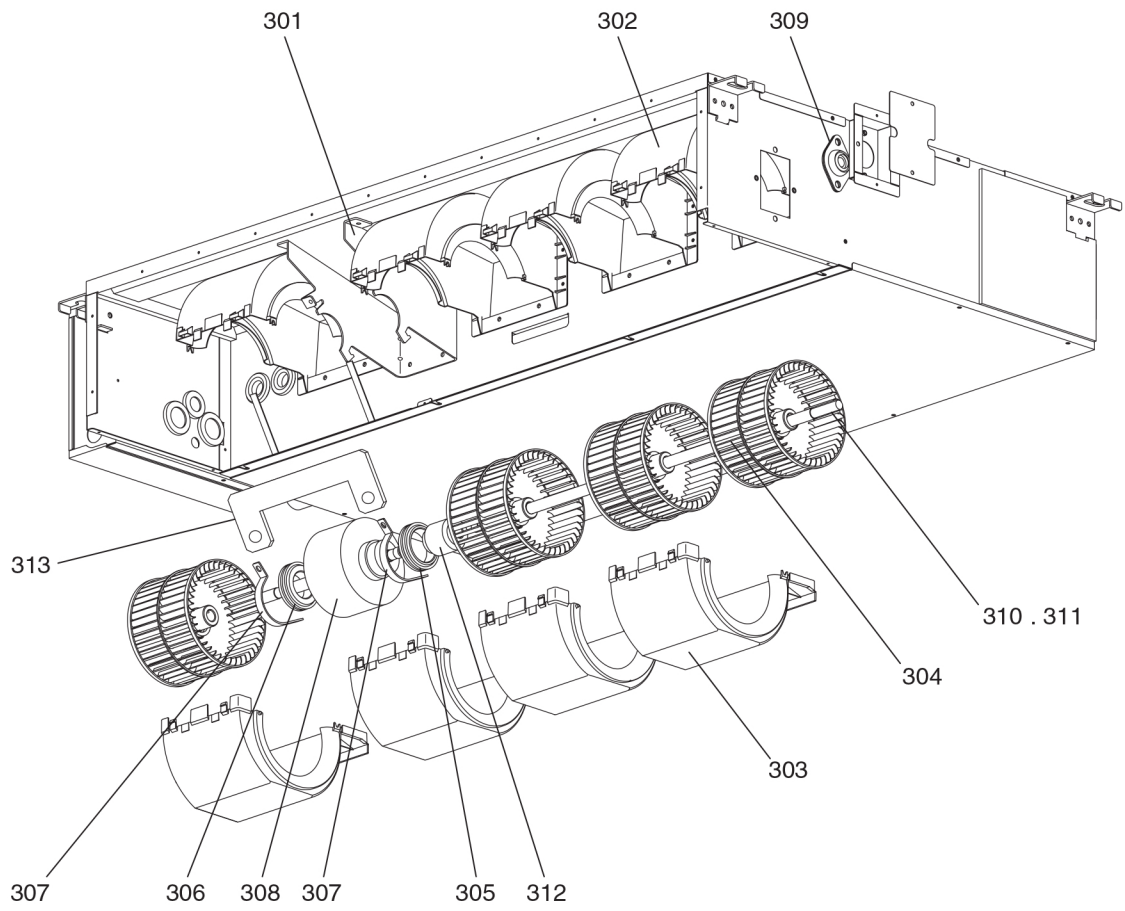


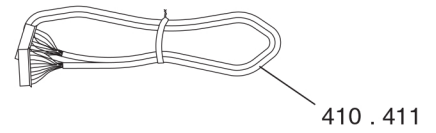
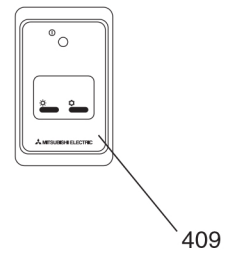
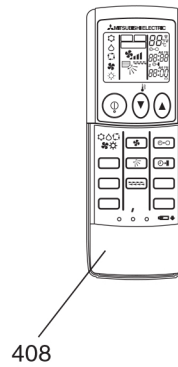
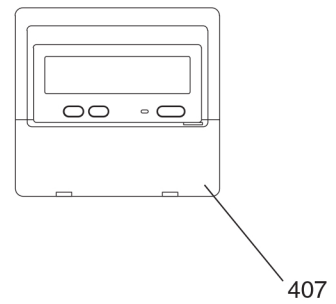
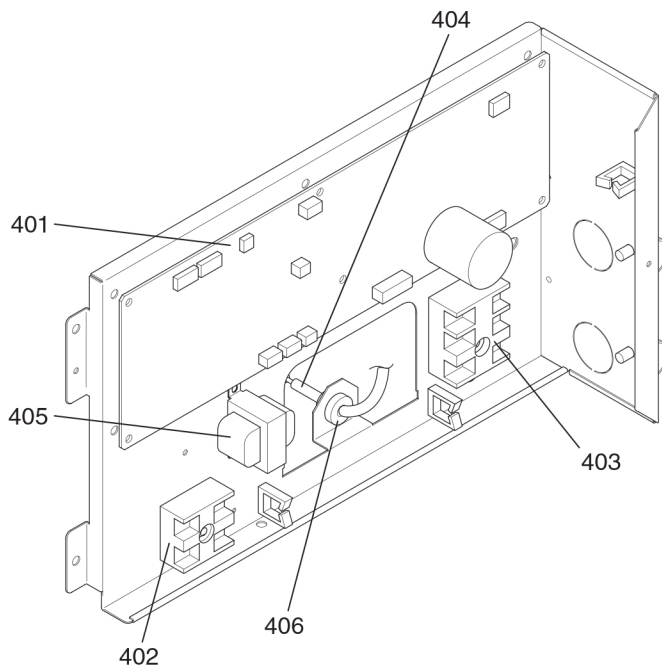
No.	Part No.	G : RoHS Apply Only W : RoHS Apply by Running Change		Spec.	SEZ-KD25VAR1.TH	SEZ-KD35VAR1.TH	SEZ-KD50VAR1.TH	SEZ-KD60VAR1.TH	SEZ-KD71VAR1.TH	SEZ-KD25VALR1.TH	Dwg. No.	Notes for the models	Revision info.
		Part Name											
101	E17 319 620	G	HEAT EXCHANGER	<K25>	1						1 KB00A073B01		
102	E17 320 620	G	HEAT EXCHANGER	<K35>		1					KB00A076B01		
103	E17 321 620	G	HEAT EXCHANGER	<K50>			1				KB00A076B02		
104	E17 326 620	G	HEAT EXCHANGER	<K60>				1			KB00A078B01		
105	E17 327 620	G	HEAT EXCHANGER	<K71>					1		KB00A078B02		
106	E17 319 307	G	THERMISTOR		1	1	1	1	1	1	RG71V202G01		
107	E17 319 690	G	COVER PIPE ASSY		1	1	1	1	1	1	KB00H214G02		
108	E17 319 700	G	DRAIN PAN S ASSY		1						1 KB00G775G19		
109	E17 320 700	G	DRAIN PAN M ASSY			1	1				KB00G775G20		
110	E17 326 700	G	DRAIN PAN L ASSY					1	1		KB00G775G21		
111	E17 319 717	G	PANEL UNDER 1 S ASSY		1						1 KB00G776G07		
112	E17 320 717	G	PANEL UNDER 1 M ASSY			1	1				KB00G776G08		
113	E17 326 717	G	PANEL UNDER 1 L ASSY					1	1		KB00G776G09		
114	E17 319 718	G	PANEL UNDER 2 S		1						1 KB02B455G02		
115	E17 320 718	G	PANEL UNDER 2 M			1	1				KB02B457G01		
116	E17 326 718	G	PANEL UNDER 2 L					1	1		KB02A071G02		
117	E17 319 100	G	FILTER 15		1						1 KB35B272G02		
118	E17 320 100	G	FILTER 40			1	1				KB35B207G02		
119	E17 326 100	G	FILTER 63					2	2		KB35B208G02		
120	E17 319 702	G	DRAIN HOSE		1	1	1	1	1	1	KB27T150H02		
121	E17 319 250	G	SCREW ASSY		3	4	4	4	4	3	KB12H389G01		
122	E17 321 660	G	NUT FLARE	1/2			1				BG12S008H01		
123	E17 326 660	G	NUT FLARE	5/8				1	1		BG12S826H01		
124	E17 319 660	G	NUT FLARE	3/8	1	1			1	1	Z211A143H06		
125	E17 320 660	G	NUT FLARE	1/4	1	1	1	1		1	Z211A143H01		
126	E17 319 800	G	PANEL DUCT S ASSY		1						1 KB00G751G07		
127	E17 320 800	G	PANEL DUCT M ASSY			1	1				KB00G751G08		
128	E17 326 800	G	PANEL DUCT L ASSY					1	1		KB00G751G09		

No.	Part No.	G : RoHS Apply Only W : RoHS Apply by Running Change		Spec.	SEZ-KD35VALR1.TH	SEZ-KD50VALR1.TH	SEZ-KD60VALR1.TH	SEZ-KD71VALR1.TH	Dwg. No.	Notes for the models	Revision info.
		Part Name									
101	E17 319 620	G	HEAT EXCHANGER	<K25>						KB00A073B01	
102	E17 320 620	G	HEAT EXCHANGER	<K35>	1					KB00A076B01	
103	E17 321 620	G	HEAT EXCHANGER	<K50>		1				KB00A076B02	
104	E17 326 620	G	HEAT EXCHANGER	<K60>			1			KB00A078B01	
105	E17 327 620	G	HEAT EXCHANGER	<K71>				1		KB00A078B02	
106	E17 319 307	G	THERMISTOR		1	1	1	1		RG71V202G01	
107	E17 319 690	G	COVER PIPE ASSY		1	1	1	1		KB00H214G02	
108	E17 319 700	G	DRAIN PAN S ASSY							KB00G775G19	
109	E17 320 700	G	DRAIN PAN M ASSY		1	1				KB00G775G20	
110	E17 326 700	G	DRAIN PAN L ASSY				1	1		KB00G775G21	
111	E17 319 717	G	PANEL UNDER 1 S ASSY							KB00G776G07	
112	E17 320 717	G	PANEL UNDER 1 M ASSY		1	1				KB00G776G08	
113	E17 326 717	G	PANEL UNDER 1 L ASSY				1	1		KB00G776G09	
114	E17 319 718	G	PANEL UNDER 2 S							KB02B455G02	
115	E17 320 718	G	PANEL UNDER 2 M		1	1				KB02B457G01	
116	E17 326 718	G	PANEL UNDER 2 L				1	1		KB02A071G02	
117	E17 319 100	G	FILTER 15							KB35B272G02	
118	E17 320 100	G	FILTER 40		1	1				KB35B207G02	
119	E17 326 100	G	FILTER 63				2	2		KB35B208G02	
120	E17 319 702	G	DRAIN HOSE		1	1	1	1		KB27T150H02	
121	E17 319 250	G	SCREW ASSY		4	4	4	4		KB12H389G01	
122	E17 321 660	G	NUT FLARE	1/2		1				BG12S008H01	
123	E17 326 660	G	NUT FLARE	5/8			1	1		BG12S826H01	
124	E17 319 660	G	NUT FLARE	3/8	1			1		Z211A143H06	
125	E17 320 660	G	NUT FLARE	1/4	1	1	1			Z211A143H01	
126	E17 319 800	G	PANEL DUCT S ASSY							KB00G751G07	
127	E17 320 800	G	PANEL DUCT M ASSY		1	1				KB00G751G08	
128	E17 326 800	G	PANEL DUCT L ASSY				1	1		KB00G751G09	



No.	Part No.	G : RoHS Apply Only W : RoHS Apply by Running Change	Part Name	Spec.	SEZ-KD25VAR1.TH	SEZ-KD35VAR1.TH	SEZ-KD25VALR1.TH	SEZ-KD35VALR1.TH	Dwg. No.	Notes for the models	Revision info.
201	E17 319 128	G	MOTOR BASE		1	1	1	1	KB02B464G02		
202	E17 319 129	G	FAN CASE A ASSY		2	2	2	2	KB00G773G03		
203	E17 320 129	G	FAN CASE B ASSY		2	2	2	2	KB00G774G03		
204	E17 319 500	G	SIROCCO FAN ASSY		2	2	2	2	KB00H341G01		
205	E17 319 505	G	RUBBER MOUNT L		1	1	1	1	KB31D833H03		
206	E17 320 505	G	RUBBER MOUNT R		1	1	1	1	KB31D833H04		
207	KB02H047G02	G	ATTACHMENT		2	2	2	2	KB02H047G02		
208	E17 319 300	G	MOTOR		1	1	1	1	KB61B503H03		
209	KB02U467G01	G	ATTACHMENT(M-LOCK)		1	1	1	1	KB02U467G01		





No.	Part No.	G : RoHS Apply Only W : RoHS Apply by Running Change	Part Name	Spec.	SEZ-KD25	SEZ-KD35	SEZ-KD50	SEZ-KD60	SEZ-KD71	SEZ-KD25VALR1	Dwg. No.	Notes for the models	Revision info.
					VARI.TH	VARI.TH	VARI.TH	VARI.TH	VARI.TH	VARI.TH			
401	E17 319 447	G	PRINTED CIRCUIT ASSEMBLY	INDOOR	1	1	1	1	1	1	KE01D279B01		
402	E17 156 375	G	TERMINAL BLOCK ASSY		1	1	1	1	1	1	BG00R200G62		
403	E17 162 375	G	TERMINAL BLOCK ASSY		1	1	1	1	1	1	BH00C267G02		
404	E17 319 308	G	THERMISTOR S	250XAP	1	1	1	1	1	1	RG71J628H01		
405	E17 434 337	G	REACTOR	CHF						1	KE65D277H01		
406	E17 319 013	G	BUSH	SRB-R-2	1	1	1	1	1	1	KB32K138H01		
407	E17 159 426	G	REMOTE CONTROLLER		1	1	1	1	1	1	BG00U396B01		
408	E17 430 426	G	WIRELESS REMOTE CONTROLLER							1	KF00D036H01		
409	E17 430 317	G	SIGNAL RECEIVING UNIT							1	KF00D037H01		
410	E17 018 089	G	CABLE	REMOTE CONTROLLER	1	1	1	1	1	1	BB78K214G05		
411	E17 430 087	G	CABLE	SIGNAL RECEIVING UNIT						1	KB00G968G01		

SEZ-KD25,KD35,KD50,KD60,KD71VAR1.TH
 SEZ-KD25,KD35,KD50,KD60,KD71VALR1.TH

CONTROL BOX PARTS

No.	Part No.	G : RoHS Apply Only W : RoHS Apply by Running Change		Spec.	SEZ-KD35VALR1.TH	SEZ-KD50VALR1.TH	SEZ-KD60VALR1.TH	SEZ-KD71VALR1.TH		Dwg. No.	Notes for the models	Revision info.
			Part Name									
401	E17 319 447	G	PRINTED CIRCUIT ASSEMBLY	INDOOR	1	1	1	1		KE01D279B01		
402	E17 156 375	G	TERMINAL BLOCK ASSY							BG00R200G62		
403	E17 162 375	G	TERMINAL BLOCK ASSY		1	1	1	1		BH00C267G02		
404	E17 319 308	G	THERMISTOR S	250XAP	1	1	1	1		RG71J628H01		
405	E17 434 337	G	REACTOR	CHF				1		KE65D277H01		
406	E17 319 013	G	BUSH	SRB-R-2	1	1	1	1		KB32K138H01		
407	E17 159 426	G	REMOTE CONTROLLER							BG00U396B01		
408	E17 430 426	G	WIRELESS REMOTE CONTROLLER		1	1	1	1		KF00D036H01		
409	E17 430 317	G	SIGNAL RECEIVING UNIT		1	1	1	1		KF00D037H01		
410	E17 018 089	G	CABLE	REMOTE CONTROLLER						BB78K214G05		
411	E17 430 087	G	CABLE	SIGNAL RECEIVING UNIT	1	1	1	1		KB00G968G01		

mitsubishi
MITSUBISHI ELECTRIC CORPORATION
HEAD OFFICE: TOKYO BLDG., 2-7-3, MARUNOUCHI, CHIYODA-KU, TOKYO 100-8310, JAPAN

BWE11450 (20120331)