



SEZ-KD71VAQ

Inverter Heat Pump

R410A Ceiling Concealed Ducted System

Designed for homes, offices, restaurants or shops, the SEZ series operates at low noise levels and is virtually invisible when installed within a suspended ceiling. Its low unit height and lightweight design also helps to make installation easier and more convenient.



Pictures not to scale

Product Details

SEZ-KD71VAQ Indoor Unit

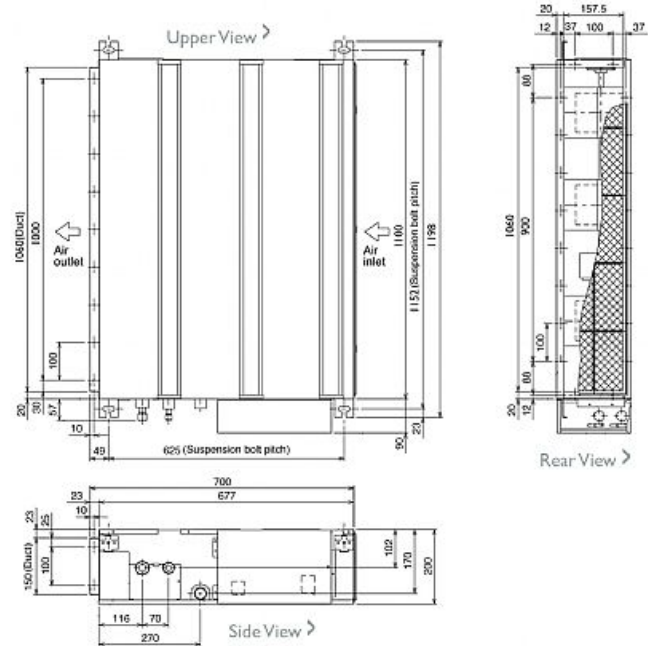
Capacity (kW):	
Heating (Nominal) (Low - High)	8.10 (0.90 - 10.40)
Cooling (Nominal) (Low - High)	7.10 (0.90 - 8.30)
Heating (UK) (Low - High)	6.75 (0.75 - 8.65)
Cooling (UK) (Low - High)	7.05 (0.90 - 8.25)
SHF R410A (Nominal)	0.74
COP / EER (Nominal)	3.72 / 3.01
Energy Label Heating / Cooling	A / B
Width - mm	1190
Depth - mm	700
Height - mm	200
Weight - kg	27
Airflow (m ³ /min) - Lo-Mi-Hi	12-16-20
External Static Pressure Pa - Lo-Mid-Hi	5-15-50
Noise (dBA) - Lo-Mi-Hi	30-35-40
Pipe Size Gas mm (in)	15.88 (5/8)
Pipe Size Liquid mm (in)	9.52 (3/8)
Electrical Supply	Fed by Outdoor Unit
Phase	Single
Fuse Rating (BS88) - HRC (A)	6
Interconnecting Cable No. Cores	4

SUZ-KA71VA2 Outdoor Unit

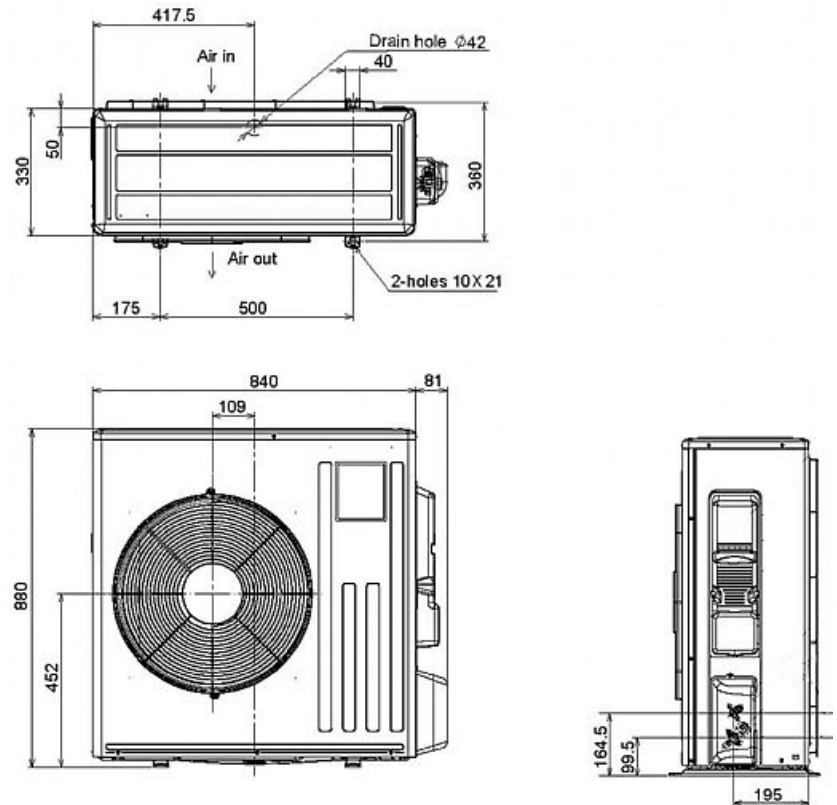
Width - mm	840
Depth - mm	330
Height - mm	880
Weight - kg	53
Noise (dBA) (Heating /Cooling)	55 /55
Electrical Supply	220-240v, 50Hz
Phase	Single
Fuse Rating (BS88) - HRC (A)	20
SystemPower Input (kW) - Heating (Nominal)	2.18
SystemPower Input (kW) - Cooling (Nominal)	2.36
SystemPower Input (kW) - Heating (UK)	1.98
SystemPower Input (kW) - Cooling (UK)	1.89
Starting Current (A)	8.89
SystemRunning Current (A) - Heating / Cooling	9.85 / 9.75
Mains Cable No. Cores	3
Max Pipe Length (m)	30
Max Height Difference (m)	30
Charge (kg) - 7m	1.8

Dimensions

SEZ-KD71VAQ



SUZ-KA71VA2



Telephone: 01707 282880

Email: air.conditioning@meuk.mee.com Website: <http://www.mitsubishielectric.co.uk/aircon>

Mitsubishi Electric reserves the right to make any variation in technical specification to the equipment described, or to withdraw or replace products without prior notification or public announcement.

Tel:
Fax:

