



SEZ-KD71VA

Inverter Heat Pump

R410A Ceiling Concealed Ducted System

Designed for homes, offices, restaurants or shops, the SEZ series operates at low noise levels and is virtually invisible when installed within a suspended ceiling. Its low unit height and lightweight design also helps to make installation easier and more convenient.



Pictures not to scale

Product Details

SEZ-KD71VA Indoor Unit

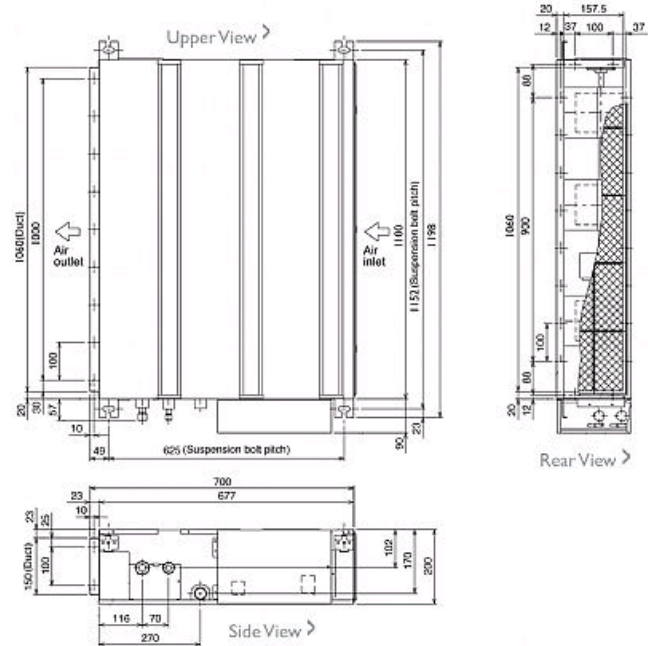
| | |
|--|---------------------|
| Capacity (kW): | |
| Heating (Nominal) (Low - High) | 8.10 (0.90 - 10.40) |
| Cooling (Nominal) (Low - High) | 7.10 (0.90 - 8.30) |
| Heating (UK) (Low - High) | 6.75 (0.75 - 8.65) |
| Cooling (UK) (Low - High) | 7.05 (0.90 - 8.25) |
| SHF R410A (Nominal) | 0.74 |
| Width - mm | 1190 |
| Depth - mm | 700 |
| Height - mm | 200 |
| Weight - kg | 27 |
| Airflow (m ³ /min) - Lo-Mi-Hi | 12-16-20 |
| External Static Pressure Pa - Lo-Mid-Hi | 5-15-50 |
| Noise (dBA) - Lo-Mi-Hi | 30-35-40 |
| Pipe Size Gas mm (in) | 15.88 (5/8) |
| Pipe Size Liquid mm (in) | 9.52 (3/8) |
| Electrical Supply | Fed by Outdoor Unit |
| Phase | Single |
| Fuse Rating (BS88) - HRC (A) | 6 |
| Interconnecting Cable No. Cores | 4 |

SUZ-KA71VA Outdoor Unit

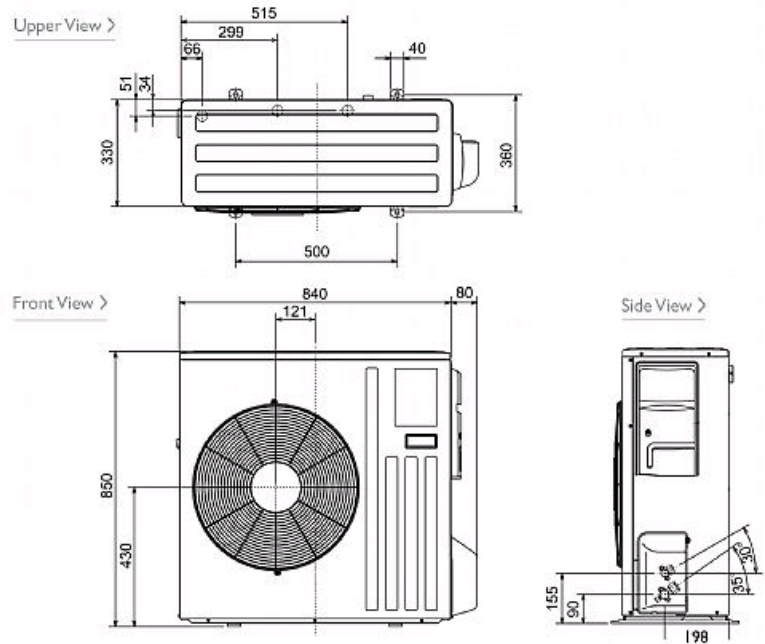
| | |
|---|----------------|
| Width - mm | 840 |
| Depth - mm | 330 |
| Height - mm | 850 |
| Weight - kg | 58 |
| Noise (dBA) (Heating /Cooling) - Lo-Hi | 53-55 /51-53 |
| Electrical Supply | 220-240v, 50Hz |
| Phase | Single |
| Fuse Rating (BS88) - HRC (A) | 20 |
| SystemPower Input (kW) - Heating (Nominal) | 2.37 |
| SystemPower Input (kW) - Cooling (Nominal) | 2.53 |
| SystemPower Input (kW) - Heating (UK) | 2.15 |
| SystemPower Input (kW) - Cooling (UK) | 2.02 |
| Starting Current (A) | 10.3 |
| SystemRunning Current (A) - Heating / Cooling | 10.74 / 11.14 |
| Mains Cable No. Cores | 3 |
| Max Pipe Length (m) | 30 |
| Max Height Difference (m) | 30 |
| Charge (kg) - 7m | 2 |

Dimensions

SEZ-KD71VA



SUZ-KA71VA



Telephone: 01707 282880

Email: air.conditioning@meuk.mee.com Website: <http://www.mitsubishielectric.co.uk/aircon>

Tel:
Fax:



Air Conditioning Systems

Mitsubishi Electric reserves the right to make any variation in technical specification to the equipment described, or to withdraw or replace products without prior notification or public announcement.