

SERVICE PARTS LIST FOR MITSUBISHI ELECTRIC PACKAGED AIR-CONDITIONERS

**Series : SEZ-KD·VA.TH
SEZ-KD·VAL.TH**

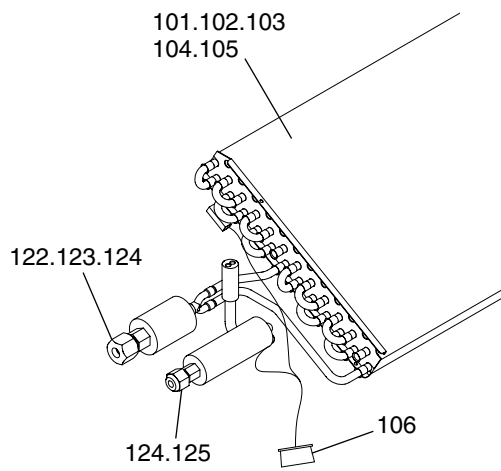
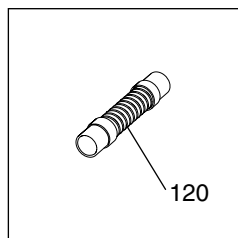
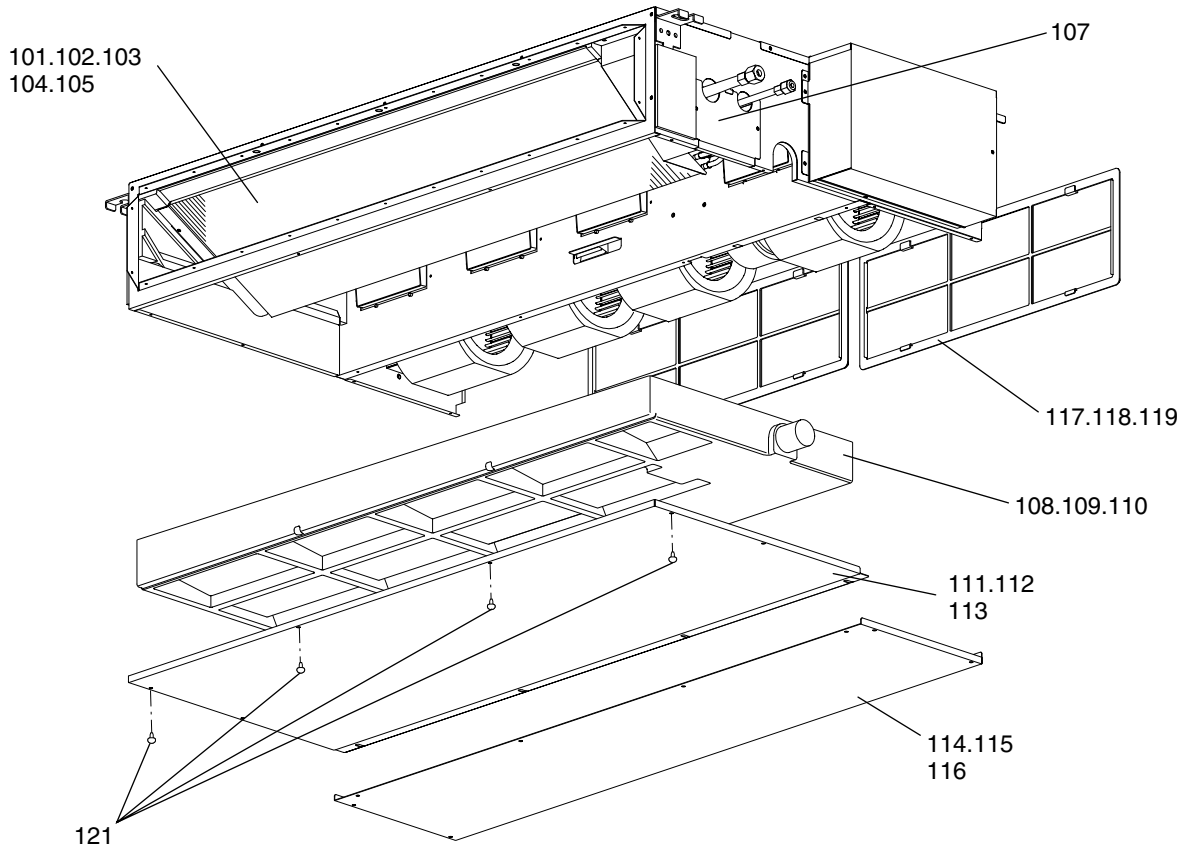
Aug. 2007

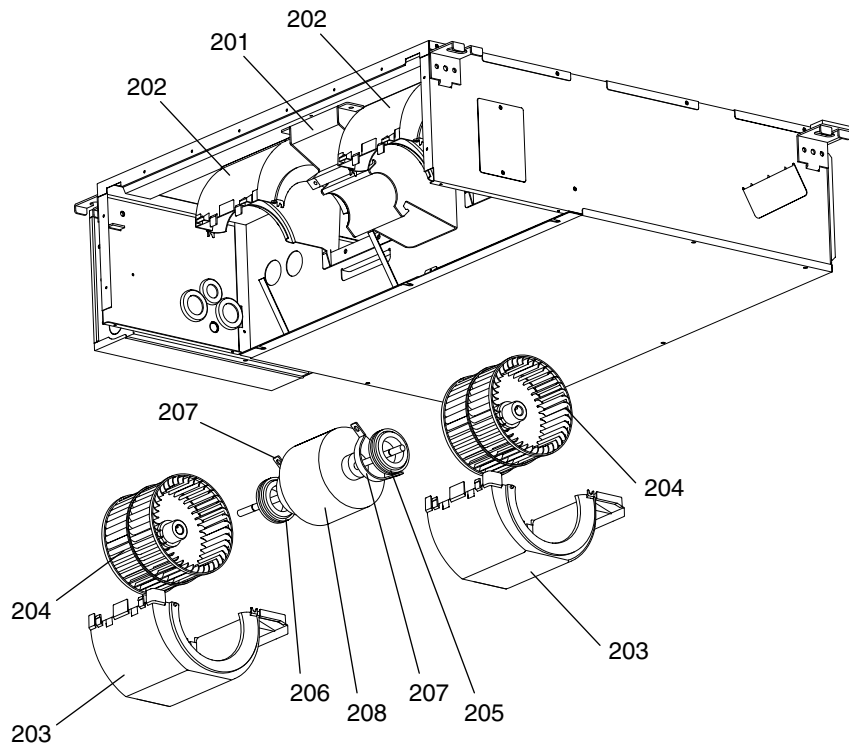
BWE07120

INDEX
SEZ-KD25VA.TH
SEZ-KD35VA.TH
SEZ-KD50VA.TH
SEZ-KD60VA.TH
SEZ-KD71VA.TH
SEZ-KD25VAL.TH
SEZ-KD35VAL.TH
SEZ-KD50VAL.TH
SEZ-KD60VAL.TH
SEZ-KD71VAL.TH

SEZ-KD25,KD35,KD50,KD60,KD71VA.TH
SEZ-KD25,KD35,KD50,KD60,KD71VAL.TH

EXTERNAL PARTS

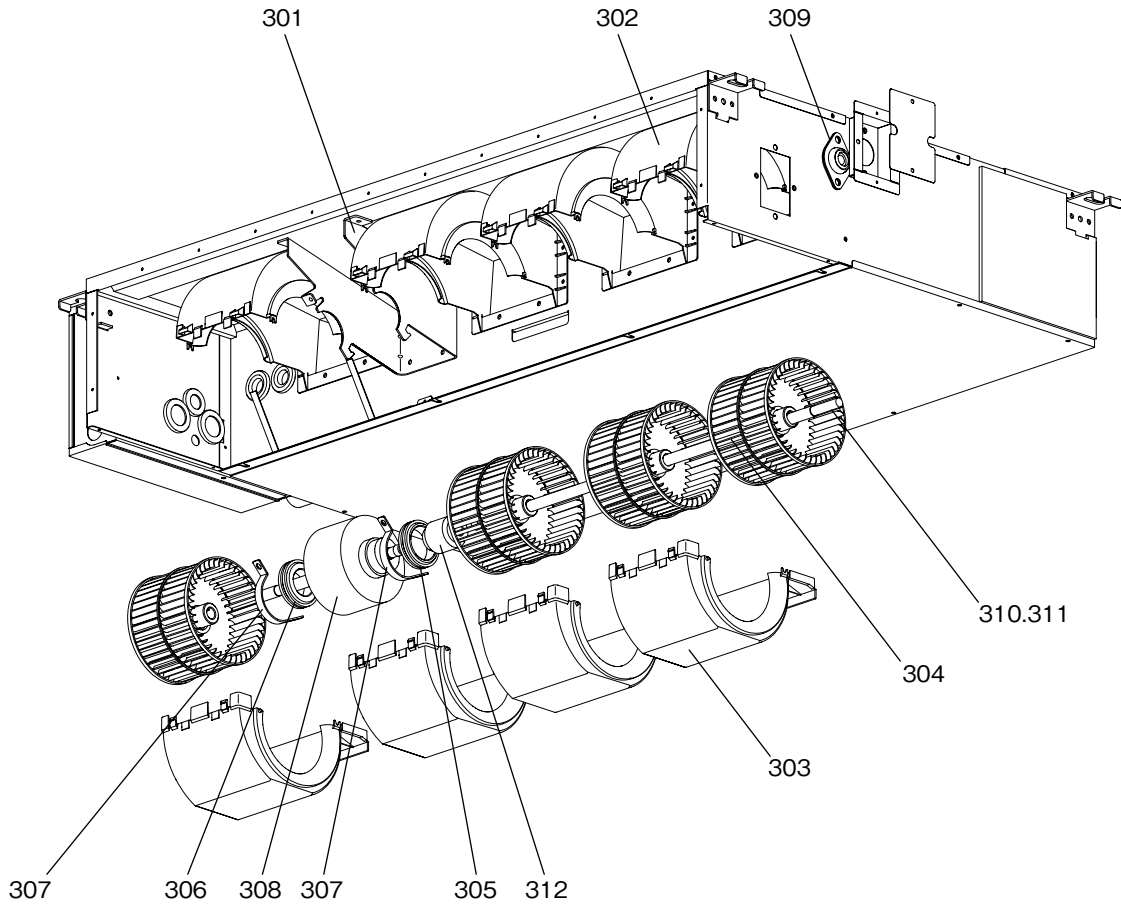




No.	Part No.	G : RoHS Apply Only W : RoHS Apply by Running Change		Spec.	SEZ-KD25VA.TH	SEZ-KD35VA.TH	SEZ-KD25VAL.TH	SEZ-KD35VAL.TH	Dwg. No.	Price	Revision History
			Part Name								
201	E17 319 128	G	MOTOR BASE		1	1	1	1	KB02B464G01		
202	E17 319 129	G	FAN CASE A ASSY		2	2	2	2	KB00G773G02		
203	E17 320 129	G	FAN CASE B ASSY		2	2	2	2	KB00G774G02		
204	E17 319 500	G	SIROCCO FAN ASSY		2	2	2	2	KB00H341G01		
205	E17 319 505	G	RUBBER MOUNT L		1	1	1	1	KB31D833H03		
206	E17 320 505	G	RUBBER MOUNT R		1	1	1	1	KB31D833H04		
207	KB02H047G02	G	ATTACHMENT		2	2	2	2	KB02H047G02		
208	E17 319 300	G	MOTOR		1	1	1	1	KB61B503H01		

SEZ-KD50,KD60,KD71VA.TH
 SEZ-KD50,KD60,KD71VAL.TH

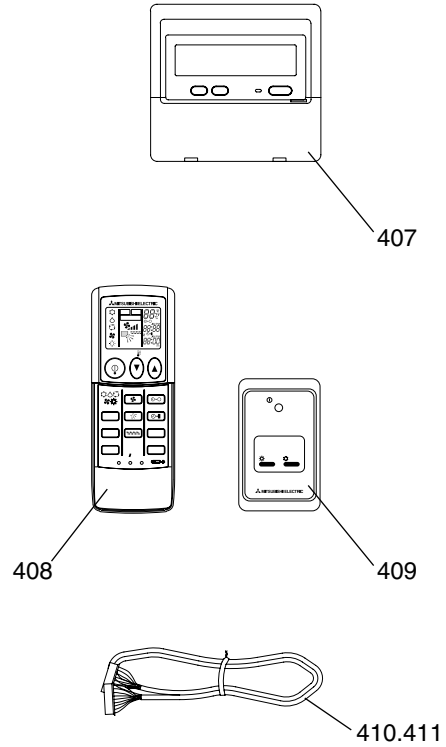
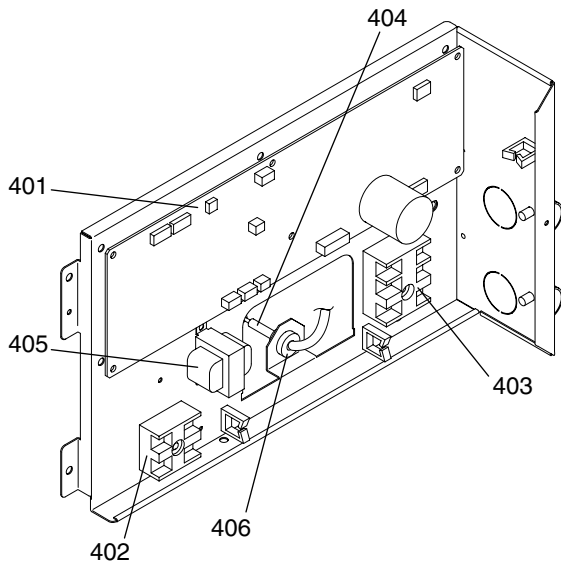
BLOWER PARTS (2)



No.	Part No.	G : RoHS Apply Only W : RoHS Apply by Running Change		Spec.	SEZ-KD50VA.TH	SEZ-KD60VA.TH	SEZ-KD71VA.TH	SEZ-KD50VAL.TH	SEZ-KD60VAL.TH	SEZ-KD71VAL.TH	Dwg. No.	Price	Revision History
			Part Name										
301	E17 319 128	G	MOTOR BASE		1	1	1	1	1	1	KB02B464G01		
302	E17 319 129	G	FAN CASE A ASSY		3	4	4	3	4	4	KB00G773G02		
303	E17 320 129	G	FAN CASE B ASSY		3	4	4	3	4	4	KB00G774G02		
304	E17 319 500	G	SIROCCO FAN ASSY		3	4	4	3	4	4	KB00H341G01		
305	E17 319 505	G	RUBBER MOUNT L		1	1	1	1	1	1	KB31D833H03		
306	E17 320 505	G	RUBBER MOUNT R		1	1	1	1	1	1	KB31D833H04		
307	KB02H047G02	G	ATTACHMENT		2	2	2	2	2	2	KB02H047G02		
308	E17 321 300	G	MOTOR		1	1	1	1	1	1	KB61B504H01		
309	E17 321 509	G	BEARING		1	1	1	1	1	1	KB58C793G01		
310	E17 321 499	G	SHAFT 3FAN		1			1			KB10B485H01		
311	E17 326 499	G	SHAFT 4FAN			1	1		1	1	KB10B486H01		
312	E17 321 518	G	FAN JOINT ASSY		1	1	1	1	1	1	BH00G422G04		

SEZ-KD25,KD35,KD50,KD60,KD71VA.TH
 SEZ-KD25,KD35,KD50,KD60,KD71VAL.TH

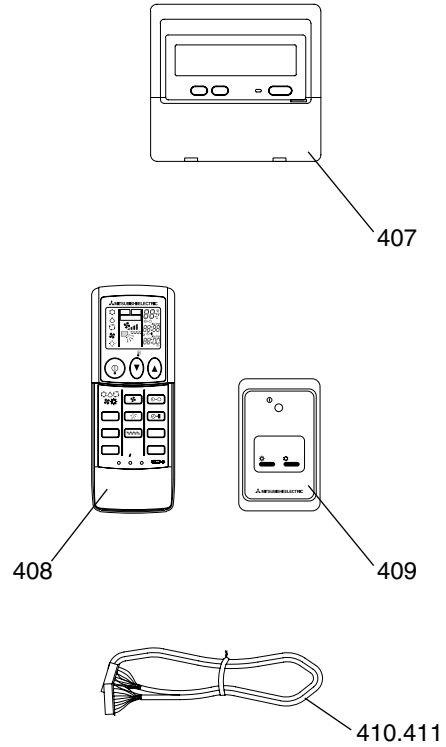
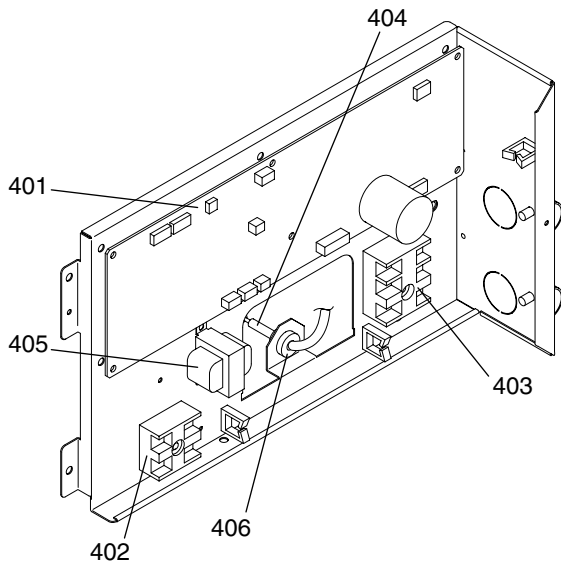
CONTROL BOX PARTS



No.	Part No.	G : RoHS Apply Only W : RoHS Apply by Running Change		Spec.	SEZ-KD25VA.TH	SEZ-KD35VA.TH	SEZ-KD50VA.TH	SEZ-KD60VA.TH	SEZ-KD71VA.TH	SEZ-KD25VAL.TH	Dwg. No.	Price	Revision History
		Part Name											
401	E17 319 447	G	PRINTED CIRCUIT ASSEMBLY	INDOOR	1	1	1	1	1	1	KE01D279B01		
402	E17 156 375	G	TERMINAL BLOCK ASSY		1	1	1	1	1		BG00R200G62		
403	E17 162 375	G	TERMINAL BLOCK ASSY		1	1	1	1	1	1	BH00C267G02		
404	E17 319 308	G	THERMISTOR S	250XAP	1	1	1	1	1	1	RG71J628H01		
405	E17 434 337	G	REACTOR	CHF						1	KE65D277H01		
406	E17 319 013	G	BUSH	KR-51	1	1	1	1	1	1	KP32F144H01		
407	E17 159 426	G	REMOTE CONTROLLER		1	1	1	1	1		BG00U396B01		
408	E17 430 426	G	WIRELESS REMOTE CONTROLLER							1	KF00D036H01		
409	E17 430 317	G	SIGNAL RECEIVING UNIT							1	KF00D037H01		
410	E17 018 089	G	CABLE	REMOTE CONTROLLER	1	1	1	1	1		BB78K214G05		
411	E17 430 087	G	CABLE	SIGNAL RECEIVING UNIT						1	KB00G968G01		

SEZ-KD25,KD35,KD50,KD60,KD71VA.TH
 SEZ-KD25,KD35,KD50,KD60,KD71VAL.TH

CONTROL BOX PARTS



No.	Part No.	G : RoHS Apply Only W : RoHS Apply by Running Change		Spec.	SEZ-KD35VAL.TH	SEZ-KD50VAL.TH	SEZ-KD60VAL.TH	SEZ-KD71VAL.TH	Dwg. No.	Price	Revision History
			Part Name								
401	E17 319 447	G	PRINTED CIRCUIT ASSEMBLY	INDOOR	1	1	1	1	KE01D279B01		
402	E17 156 375	G	TERMINAL BLOCK ASSY						BG00R200G62		
403	E17 162 375	G	TERMINAL BLOCK ASSY		1	1	1	1	BH00C267G02		
404	E17 319 308	G	THERMISTOR S	250XAP	1	1	1	1	RG71J628H01		
405	E17 434 337	G	REACTOR	CHF				1	KE65D277H01		
406	E17 319 013	G	BUSH	KR-51	1	1	1	1	KP32F144H01		
407	E17 159 426	G	REMOTE CONTROLLER						BG00U396B01		
408	E17 430 426	G	WIRELESS REMOTE CONTROLLER		1	1	1	1	KF00D036H01		
409	E17 430 317	G	SIGNAL RECEIVING UNIT		1	1	1	1	KF00D037H01		
410	E17 018 089	G	CABLE	REMOTE CONTROLLER					BB78K214G05		
411	E17 430 087	G	CABLE	SIGNAL RECEIVING UNIT	1	1	1	1	KB00G968G01		

