



SEZ-KD60VA

Inverter Heat Pump

R410A Ceiling Concealed Ducted System

Designed for homes, offices, restaurants or shops, the SEZ series operates at low noise levels and is virtually invisible when installed within a suspended ceiling. Its low unit height and lightweight design also helps to make installation easier and more convenient.



Pictures not to scale

Product Details

SEZ-KD60VA Indoor Unit

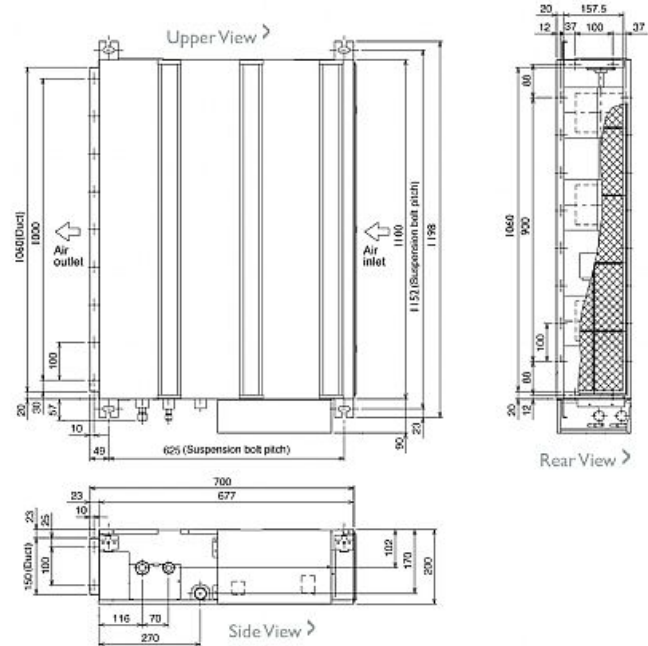
| | |
|--|--------------------|
| Capacity (kW): | |
| Heating (Nominal) (Low - High) | 7.00 (0.90 - 8.00) |
| Cooling (Nominal) (Low - High) | 5.50 (1.10 - 6.30) |
| Heating (UK) (Low - High) | 5.80 (0.75 - 6.65) |
| Cooling (UK) (Low - High) | 5.45 (1.10 - 6.25) |
| SHF R410A (Nominal) | 0.79 |
| Width - mm | 1190 |
| Depth - mm | 700 |
| Height - mm | 200 |
| Weight - kg | 27 |
| Airflow (m ³ /min) - Lo-Mi-Hi | 12-15-18 |
| Noise (dBA) - Lo-Mi-Hi | 30-34-38 |
| Pipe Size Gas mm (in) | 15.88 (5/8) |
| Pipe Size Liquid mm (in) | 6.35 (1/4) |
| Electrical Supply | Fed by Outdoor |
| Phase | Single |
| Fuse Rating (BS88) - HRC (A) | 6 |
| Interconnecting Cable No. Cores | 4 |
| Remote Controller Ref | PAR-21MAA |

SUZ-KA60VA Outdoor Unit

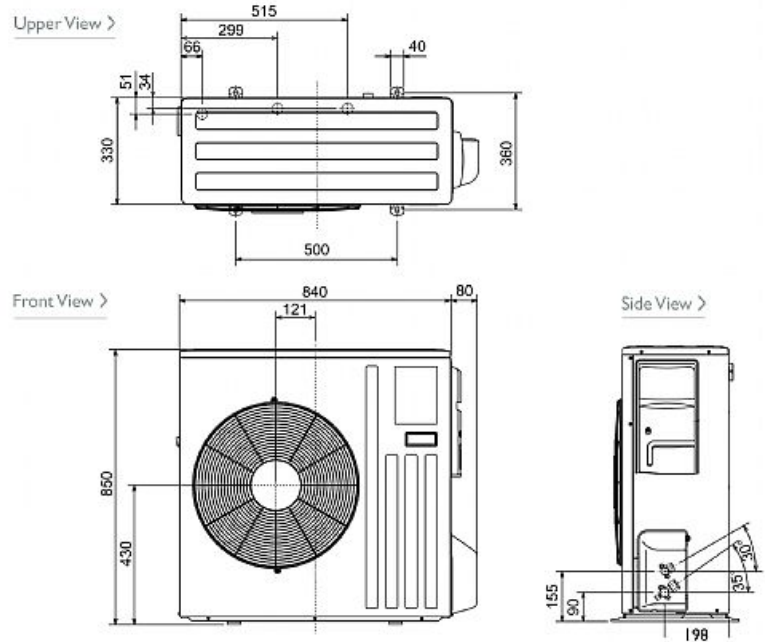
| | |
|--|----------------|
| Width - mm | 840 |
| Depth - mm | 330 |
| Height - mm | 850 |
| Weight - kg | 53 |
| Noise (dBA) (Heating /Cooling) - Lo-Hi | 53-55 /51-53 |
| Electrical Supply | 220-240v, 50Hz |
| Phase | Single |
| Fuse Rating (BS88) - HRC (A) | 25 |
| Mains Cable No. Cores | 3 |
| Max Pipe Length (m) | 30 |
| Max Height Difference (m) | 30 |
| Charge (kg) - 7m | 1.8 |

Dimensions

SEZ-KD60VA



SUZ-KA60VA



Telephone: 01707 282880

Email: air.conditioning@meuk.mee.com Website: <http://www.mitsubishielectric.co.uk/aircon>

Mitsubishi Electric reserves the right to make any variation in technical specification to the equipment described, or to withdraw or replace products without prior notification or public announcement.

Tel:
Fax:

