



PSA-RP125GA

Standard Inverter Heat Pump

R410A Floor Standing System

The PSA Floor Standing System complements the Mitsubishi Electric range of indoor units. The sleek, modern design of this unit is ideal for numerous applications including bars and restaurants.

- **Built in controller**



Pictures not to scale

Product Details

PSA-RP125GA Indoor Unit

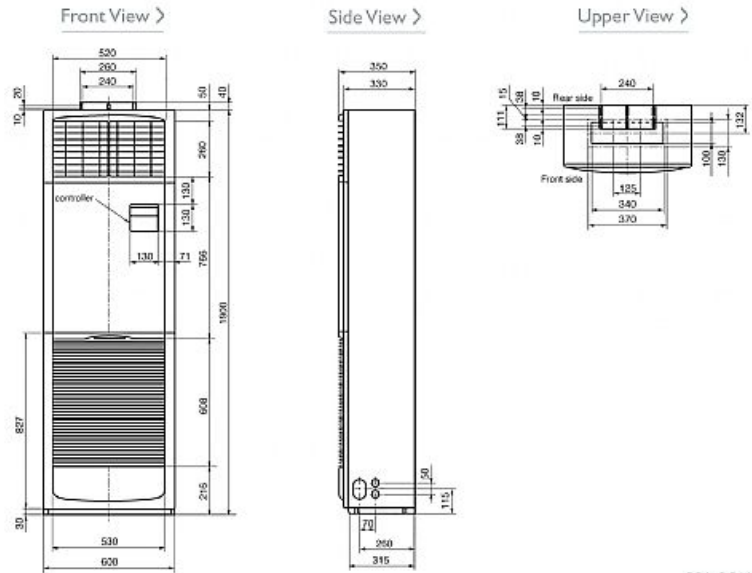
Capacity (kW):	
Heating (Nominal) (Low - High)	14.00 (5.00 - 16.00)
Cooling (Nominal) (Low - High)	12.30 (5.50 - 14.00)
Heating (UK) (Low - High)	11.90 (4.25 - 13.60)
Cooling (UK) (Low - High)	11.30 (5.05 - 12.90)
SHF R410A (Nominal)	0.76
COP / EER (Nominal)	2.81 / 2.81
Energy Label Heating / Cooling	D / C
Width - mm	600
Depth - mm	350
Height - mm	1900
Weight - kg	51
Airflow (m ³ /min) - Lo-Hi	26-33
Noise (dBA) - Lo-Hi	46-51
Pipe Size Gas mm (in)	15.88 (5/8)
Pipe Size Liquid mm (in)	9.52 (3/8)
Electrical Supply	Fed by Outdoor Unit
Phase	Single
Fuse Rating (BS88) - HRC (A)	6
Interconnecting Cable No. Cores	4

PUHZ-P125VHA3 Outdoor Unit

Width - mm	950
Depth - mm	330+30
Height - mm	1350
Weight - kg	99
Noise (dBA) (Heating /Cooling) - Lo-Hi	55 /48-51
Electrical Supply	220-240v, 50Hz
Phase	Single
Fuse Rating (BS88) - HRC (A)	32
SystemPower Input (kW) - Heating (Nominal)	4.98
SystemPower Input (kW) - Cooling (Nominal)	4.38
SystemPower Input (kW) - Heating (UK)	4.43
SystemPower Input (kW) - Cooling (UK)	3.72
Starting Current (A)	11
SystemRunning Current (A) - Heating / Cooling	22.08 / 19.42
Mains Cable No. Cores	3
Max Pipe Length (m)	50
Max Height Difference (m)	30
Charge (kg) - 30m	4.5

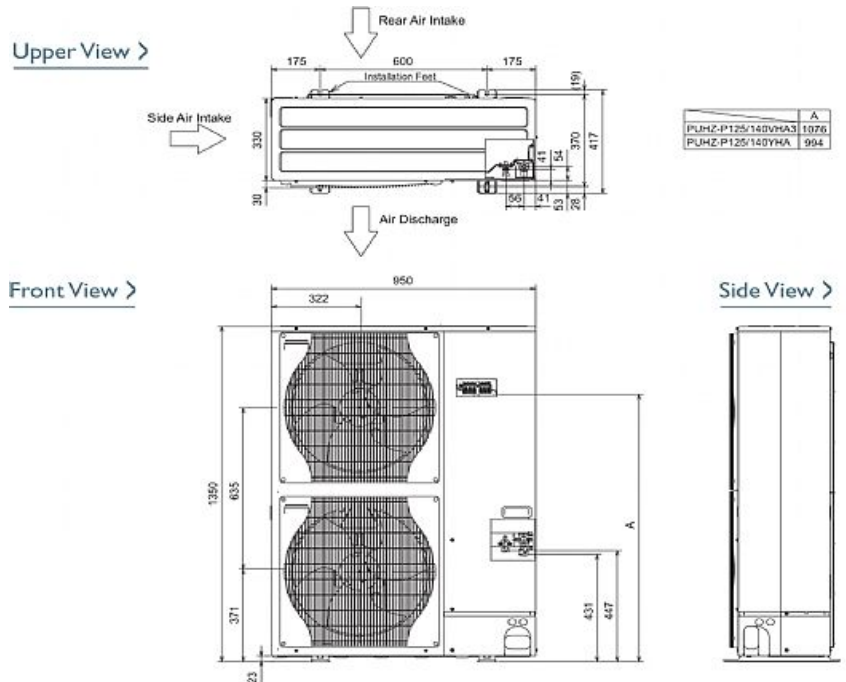
Dimensions

PSA-RP125GA



PSA-RP125GA

PUHZ-P125VHA3



Telephone: 01707 282880

Email: air.conditioning@meuk.mee.com Website: <http://www.mitsubishielectric.co.uk/aircon>

Mitsubishi Electric reserves the right to make any variation in technical specification to the equipment described, or to withdraw or replace products without prior notification or public announcement.

Tel:
Fax:

