

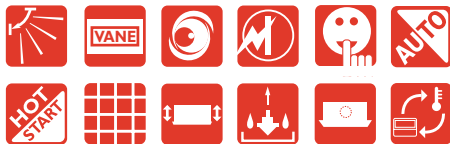
PMH-P Heat Pump

R407c I-Way Blow Ceiling Cassette System

New Models

Utilising a compact and lightweight body, the unit is perfect for applications where ceiling space is limited. A total body weight of 14kg makes it one of the lightest available, whilst quiet running technology also makes it one of the quietest.

- > Compact size for handy installation and easy maintenance
- > Newly developed airflow control technology reduces noise levels
- > Only 230mm high



Technical Information >>

PMH-P - INDOOR UNITS

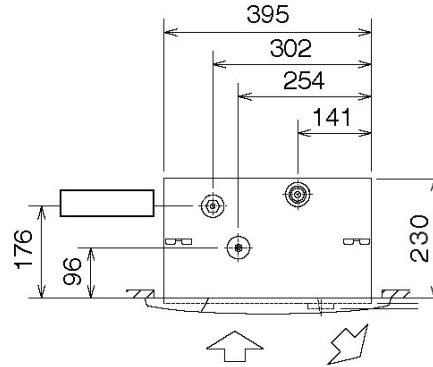
MODEL REFERENCE		PMH-P35BA	PMH-P50BA
CAPACITY (kW)	Heating (nominal)	4.95	6.2
	Cooling (nominal)	4.35	5.35
	Heating (UK)	4.2	5.25
	Cooling (UK)	3.9	4.8
SHF (nominal)		0.70	0.67
AIRFLOW (m3/min)	Lo-MiI - Mi2-Hi	7-8-9-10	8-9-10-11
PIPE SIZE mm(in)	Gas	15.88 (5/8")	15.88 (5/8")
	Liquid	9.52 (3/8")	9.52 (3/8")
NOISE (dBA)	Lo-MiI - Mi2-Hi	34-36-38-40	36-38-40-42
DIMENSIONS (mm) (grille)	Width	812 (1000)	812 (1000)
	Depth	395 (470)	395 (470)
	Height	230 (30)	230 (30)
WEIGHT (kg)	Unit	14	14
	Panel	3	3
ELECTRICAL SUPPLY		Fed by Outdoor Unit	Fed by Outdoor Unit
PHASE		Single	Single
FUSE RATING (BS88) – HRC (A)		6	6
INTERCONNECTING CABLE No. CORES		4	4
GRILLE REFERENCE		PMP-40BM	PMP-40BM

PUH-P - OUTDOOR UNITS

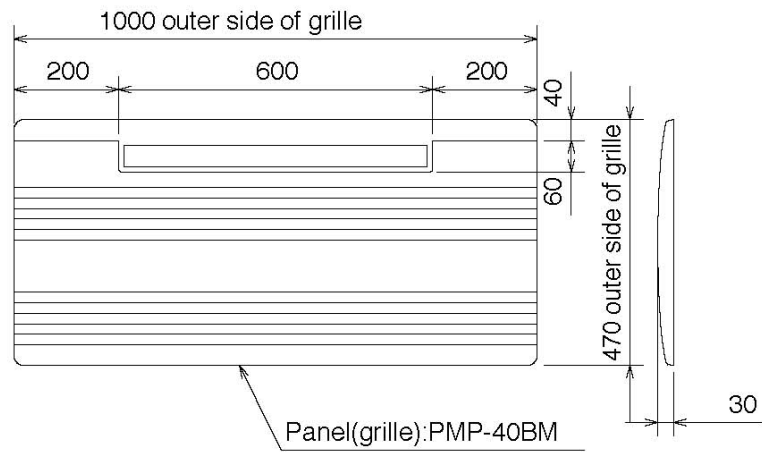
MODEL REFERENCE		PUH-P35VGAA	PUH-P50VGAA
NOISE (dBA)	Heating/Cooling	49 / 47	49 / 48
WEIGHT (kg)		54	74
DIMENSIONS (mm)	Width	900	900
	Depth	330 + 20	330 + 20
	Height	650	855
ELECTRICAL SUPPLY		220-240v, 50Hz	220-240v, 50Hz
PHASE		Single	Single
SYSTEM POWER INPUT (KW)	Heating/Cooling (nominal)	1.64 / 1.66	2.37 / 2.31
	Heating/Cooling (UK)	1.46 / 1.41	2.11 / 1.96
STARTING CURRENT (A)		36	62
SYSTEM RUNNING CURRENT (A)	Heating/Cooling	7.88 / 7.65	10.86 / 10.55
FUSE RATING (BS88) – HRC (A)		16	16
MAINS CABLE No. Cores		3	3
MAX PIPE LENGTH (m)		40	40
MAX HEIGHT DIFFERENCE (m)		40	40
CHARGE R407c (kg) - 20m		2.5	2.6

INDOOR UNIT PMH-P35-50BA

Left Side View >



Lower View >



Rear View >

