

November 2007
**No. OCS03
REVISED EDITION-B**

TECHNICAL DATA BOOK **R410A** **INVERTER**

<Indoor unit>

[Model names]

MFZ-KA-VA
SLZ-KA-VA(L)
SEZ-KC-VA
SEZ-KA-VA
SEZ-KD-VA(L)
PLA-RP-BA
PLA-RP-AA
PCA-RP-GA(2)
PEAD-RP-EA(2)
PEAD-RP-GA
PEA-RP-EA

Revision:

- SEZ-KD-VA(L) are added in REVISED EDITION-B.
- Some descriptions have been modified.
- Please void OCS03 REVISED EDITION-A.

<Outdoor unit>

[Model names]

SUZ-KA25/35/50/60/71VA
SUZ-KA25/35VAH

CONTENTS

1. REFERENCE SERVICE MANUAL	2
2. SPECIFICATIONS	3
3. OUTLINES AND DIMENSIONS	13
4. WIRING DIAGRAM	30
5. REFRIGERANT SYSTEM DIAGRAM	45
6. PERFORMANCE CURVES	48
7. APPLICABLE EXTENSION PIPE FOR EACH MODEL	52
8. AIR FLOW DATA	54
9. NOISE CRITERION CURVES	75
10. OPTIONAL PARTS	89

kW Model
Mr. SLIM™

1

REFERENCE SERVICE MANUAL

For information on service, please refer to the service manual as follows.

1-1. Indoor Unit

Model name	Service Ref.	Service Manual No.
SLZ-KA25/35/50VA SLZ-KA25/35/50VAL	SLZ-KA25/35/50VA ⁽¹⁾ .TH SLZ-KA25/35/50VAL ⁽¹⁾ .TH	OC320
SEZ-KA35/50/60/71VA	SEZ-KA35/50/60/71VA.TH	OC321
SEZ-KC25VA	SEZ-KC25VA.W	MEE04K350
SEZ-KD25/35/50/60/71VA SEZ-KD25/35/50/60/71VAL	SEZ-KD25/35/50/60/71VA.TH SEZ-KD25/35/50/60/71VAL.TH	HWE07110
MFZ-KA25/35/50VA-E1	MFZ-KA25/35/50VA-E1	OB409
MFZ-KA25/35/50VA-A1	MFZ-KA25/35/50VA-A1	OB410
PLA-RP35/50/60/71BA	PLA-RP35/50/60/71BA.UK PLA-RP35/50/60/71BA ¹ .UK	OCH412 OCB412
	PLA-RP35/50/60/71BA	OCH416 OCB416
PLA-RP35/50/60/71AA	PLA-RP35/50/60/71AA.UK	OC335
	PLA-RP35/50/60/71AA	OC327
PCA-RP50/60/71GA PCA-RP50GA2	PCA-RP50/60/71GA PCA-RP50GA2	OC328
PEAD-RP50/60/71EA PEAD-RP35EA2	PEAD-RP50/60/71EA.UK PEAD-RP35EA2.UK	HWE05210
PEAD-RP60/71GA	PEAD-RP60/71GA.UK	HWE05060
PEA-RP71EA	PEA-RP71EA.TH-A	OC326

1-2. Outdoor Unit

Model name	Service Ref.	Service Manual No.
SUZ-KA25/35/50/60/71VA SUZ-KA25/35VAH	SUZ-KA25/35/50/60/71VA ⁽¹⁾ .TH SUZ-KA25/35VAH.TH	OC322
SUZ-KA25/35/50/60/71VA	SUZ-KA25/35/50/60/71VA ⁽¹⁾ .TH-A	OC323

(Note)

When you connect P series indoor units with SUZ, always make sure to follow the piping size of SUZ. Never use bigger sized pipings in order to ensure not only the system performance but also for your safety.

2-1. FLOOR STANDING TYPE

Model name	Indoor unit		MFZ-KA25VA	MFZ-KA35VA	MFZ-KA50VA	
	Outdoor unit		SUZ-KA25VA(H)	SUZ-KA35VA(H)	SUZ-KA50VA	
Cooling	Capacity	Btu/h	8,500	11,900	16,400	
		kW	2.5(0.9-3.4)	3.5(0.9-3.9)	4.8(0.9-5.4)	
	Total input	kW	0.58	1.09	1.55	
	EER		4.31	3.21	3.1	
	Energy label class		A	A	B	
	SHF		0.66	0.65	0.63	
Heating	Capacity	Btu/h	11,600	13,600	20,500	
		kW	3.4(0.9-5.1)	4.0(0.9-6.2)	6.0(0.9-7.9)	
	Total input	kW	0.835	1.10	1.86	
	COP		4.07	3.64	3.23	
	Energy label class		A	A	C	
	Booster heater	kW	-	-	-	
Power supply	Phase	φ	1	1	1	
	Cycle	Hz	50	50	50	
	Voltage	V	230	230	230	
	Breaker size	A	10	10	20	
Indoor unit	Air flow at cooling (Low-Medium-High-Super High)	CMM	4.8 - 5.8 - 7.1 - 8.7	5.0 - 6.1 - 7.4 - 9.1	7.1 - 7.9 - 9.2 - 10.7	
		CFM	170 - 205 - 250 - 310	180 - 215 - 260 - 320	250 - 280 - 325 - 380	
	Air flow at heating (Low-Medium-High-Super High)	CMM	5.0 - 6.2 - 7.6 - 9.1	5.2 - 6.2 - 7.8 - 9.5	7.4 - 8.8 - 9.8 - 11.8	
		CFM	180 - 220 - 270 - 320	185 - 220 - 275 - 335	260 - 310 - 345 - 415	
	External static pressure	Pa	0	0	0	
	Sound level at cooling (Low-Medium-High-Super High)	dB(A)		22 - 27 - 32 - 37	23 - 28 - 33 - 38	32 - 35 - 39 - 43
				22 - 27 - 32 - 37	25 - 28 - 33 - 38	32 - 35 - 39 - 44
	External finish (Panel)		White Munsell 1.0Y 9.2/0.2			
	Dimension Unit (Panel)	W : mm		700		
		D : mm		200		
		H : mm		600		
		W : inch		27 - 5/8		
		D : inch		7 - 7/8		
		H : inch		23 - 5/8		
Weight Unit (Panel)	kg		14			
	lbs		31			
Outdoor unit	Air flow at cooling (Low - High)	CMM	34.3	33.4	27.5 - 49	
		CFM	1,210	1,180	970 - 1,730	
	Air flow at heating (Low - High)	CMM	32.3	33.4	36.8 - 49	
		CFM	1,140	1,180	1,300 - 1,730	
	Sound level at cooling (Low - High)	dB(A)	46	47	51 - 53	
	Sound level at heating (Low - High)	dB(A)	46	48	53 - 55	
	External finish		Ivory Munsell 3.0Y 7.8/1.1			
	Dimension	W : mm	800	800	840	
		D : mm	285	285	330	
		H : mm	550	550	850	
		W : inch	31 - 1/2	31 - 1/2	33 - 1/16	
		D : inch	11 - 1/4	11 - 1/4	13	
		H : inch	21 - 5/8	21 - 5/8	33 - 7/16	
	Weight	kg	33	37	53	
lbs		73	82	117		
Refrigerant pipe size	Gas side O.D.	mm	9.52	9.52	12.7	
		inch	3/8	3/8	1/2	
	Liquid side .	mm	6.35	6.35	6.35	
		inch	1/4	1/4	1/4	
Refrigerant pipe length	Height difference	m	Max. 12	Max. 12	Max. 30	
	Length	m	Max. 20	Max. 20	Max. 30	

- NOTE:**
- Rating conditions (ISO T1)
Cooling Indoor : D.B. 27°C (80°F) W.B. 19°C (66°F) Outdoor : D.B. 35°C (95°F) W.B. 24°C (75°F)
Heating Indoor : D.B. 20°C (68°F) Outdoor : D.B. 7°C (45°F) W.B. 6°C (43°F)
Refrigerant piping length (one way) : 5m (16ft.)
 - Guaranteed operating range

		Indoor		Outdoor	
		KA25, KA35VA	KA50	KA25,KA35VAH	KA50
Cooling	Upper limit	32°C D.B., 23°C W.B.	46°C D.B.	43°C D.B.	46°C D.B.
	Lower limit	21°C D.B., 15°C W.B.	-10°C D.B.	-15°C D.B.	-10°C D.B.
Heating	Upper limit	27°C D.B.	24°C D.B.	18°C W.B.	
	Lower limit	20°C D.B.	-10°C D.B., -11°C W.B.	-20°C D.B., -21°C W.B.	

- Guaranteed voltage
198-264V, 50Hz
- Above data are based on the indicated voltage.
Indoor unit Single phase, 230V 50Hz
Outdoor unit Single phase, 230V 50Hz

2-2. CEILING CASSETTE TYPE

Model name	Indoor unit		SLZ-KA25VA(L)	SLZ-KA35VA(L)	SLZ-KA50VA(L)
	Outdoor unit		SUZ-KA25VA	SUZ-KA35VA	SUZ-KA50VA
Cooling	Capacity	Btu/h	8,500	11,900	15,700
		kW	2.5(0.9 - 3.2)	3.5(1.0 - 3.9)	4.6(1.1 - 5.2)
	Total input	kW	0.69	1.06	1.63
	EER		3.62	3.30	2.82
	Energy label class		A	A	C
	SHF		0.86	0.77	0.68
Heating	Capacity	Btu/h	10,200	13,600	17,100
		kW	3.0(0.9 - 4.5)	4.0(0.9 - 5.0)	5.0(0.9 - 6.5)
	Total input	kW	0.83	1.10	1.55
	COP		3.61	3.64	3.23
	Energy label class		A	A	C
	Booster heater	kW	-	-	-
Power supply	Phase	ϕ	1	1	1
	Cycle	Hz	50	50	50
	Voltage	V	230	230	230
	Breaker size	A	10	10	20
Indoor unit	Air flow (Low - Medium - High)	CMM	8 - 9 - 10	8 - 9 - 11	8 - 9 - 11
		CFM	280 - 320 - 355	280 - 320 - 390	280 - 320 - 390
	External static pressure	Pa	0	0	0
	Sound level (Low - Medium - High)	dB(A)	28 - 31 - 37	29 - 33 - 38	30 - 34 - 39
	External finish (Panel)		White Munsell 6.4Y 8.9/0.4		
	Dimension Unit(Panel)	W : mm	570(650)		
		D : mm	570(650)		
		H : mm	208(20)		
		W : inch	22 - 7/16(25 - 9/16)		
		D : inch	22 - 7/16(25 - 9/16)		
		H : inch	8-3/16(13/16)		
	Weight	kg	16.5(3)		
	Unit (Panel)	lbs	36(7)		
Field drain pipe O.D.	mm	32			
	inch	1 - 1/4			
Outdoor unit	Air flow at cooling (Low - High)	CMM	34.3	33.4	27.5 - 49
		CFM	1,210	1,180	970 - 1,730
	Air flow at heating (Low - High)	CMM	32.3	33.4	36.8 - 49
		CFM	1,140	1,180	1,300 - 1,730
	Sound level at cooling (Low - High)	dB(A)	46	47	51 - 53
	Sound level at heating (Low - High)	dB(A)	46	48	53 - 55
	External finish		Ivory Munsell 3.0Y 7.8/1.1		
	Dimension	W : mm	800	800	840
		D : mm	285	285	330
		H : mm	550	550	850
		W : inch	31 - 1/2	31 - 1/2	33 - 1/16
		D : inch	11 - 1/4	11 - 1/4	13
		H : inch	21 - 5/8	21 - 5/8	33 - 7/16
Weight	kg	33	37	53	
	lbs	73	82	117	
Refrigerant pipe size	Gas side O.D.	mm	9.52	9.52	12.7
		inch	3/8	3/8	1/2
	Liquid side O.D.	mm	6.35	6.35	6.35
		inch	1/4	1/4	1/4
Refrigerant pipe length	Height difference	m	Max. 12	Max. 12	Max. 30
	Length	m	Max. 20	Max. 20	Max. 30

NOTE: 1. Rating conditions (ISO T1)

Cooling Indoor : D.B. 27°C (80°F) W.B. 19°C (66°F)

Outdoor : D.B. 35°C (95°F) W.B. 24°C (75°F)

Heating Indoor : D.B. 20°C (68°F)

Outdoor : D.B. 7°C (45°F) W.B. 6°C (43°F)

Refrigerant piping length (one way) : 5m (16ft.)

2. Guaranteed operating range

		Indoor	Outdoor	
			KA25, KA35VA	KA50
Cooling	Upper limit	32°C D.B. , 23°C W.B.	46°C D.B.	43°C D.B.
	Lower limit	21°C D.B. , 15°C W.B.	-10°C D.B.	-15°C D.B.
Heating	Upper limit	27°C D.B.	24°C D.B. , 18°C W.B.	
	Lower limit	20°C D.B.	-10°C D.B. , -11°C W.B.	

3. Guaranteed voltage
198-264V, 50Hz

4. Above data are based on the indicated voltage.

Indoor unit Single phase, 230V 50Hz
Outdoor unit Single phase, 230V 50Hz



Model name	Indoor unit		PLA-RP35BA	PLA-RP50BA	PLA-RP60BA	PLA-RP71BA	
	Outdoor unit		SUZ-KA35VA	SUZ-KA50VA	SUZ-KA60VA	SUZ-KA71VA	
Cooling	Capacity	Btu/h	11,900	17,100	19,400	24,200	
		kW	3.5(1.0 - 3.9)	5.0(1.1 - 5.6)	5.7(1.1 - 6.3)	7.1(0.9 - 8.1)	
	Total input	kW	1.09	1.78	1.94	2.53	
	EER		3.21	2.81	2.94	2.81	
	Energy label class		A	C	C	C	
	SHF		0.84	0.81	0.76	0.73	
Heating	Capacity	Btu/h	14,000	20,500	23,500	27,300	
		kW	4.1(0.9 - 5.0)	6.0(0.9 - 7.2)	6.9(0.9 - 8.0)	8.0(0.9 - 10.2)	
	Total input	kW	1.11	1.82	2.11	2.49	
	COP		3.69	3.30	3.27	3.21	
	Energy label class		A	C	C	C	
	Booster heater	kW	-	-	-	-	
Power supply	Phase	φ	1	1	1	1	
	Cycle	Hz	50	50	50	50	
	Voltage	V	230	230	230	230	
	Breaker size	A	10	20	20	20	
Indoor unit	Air flow	CMM	11 - 12 - 13 - 15	12 - 14 - 16 - 18	12 - 14 - 16 - 18	14 - 16 - 18 - 21	
	(Low-Medium2-Medium1-High)	CFM	390 - 425 - 460 - 530	425 - 495 - 565 - 635	425 - 495 - 565 - 635	495 - 565 - 635 - 740	
	External static pressure	Pa	0	0	0	0	
	Sound level	dB(A)	27 - 28 - 29 - 31	28 - 29 - 31 - 32	28 - 29 - 31 - 32	28 - 30 - 32 - 34	
	(Low-Medium2-Medium1-High)						
	External finish (Panel)		White Munsell 6.4Y 8.9/0.4				
	Dimension	W : mm		840 (950)			
		D : mm		840 (950)			
		H : mm		258 (35)			
		W : inch		33 - 1/16 (37 - 3/8)			
		D : inch		33 - 1/16 (37 - 3/8)			
	Unit (Panel)	H : inch		10 - 3/16 (1 - 3/8)			
Weight	kg		22 (6)		23 (6)		
Unit (Panel)	lbs		49 (13)		51 (13)		
Field drain pipe O.D.	mm		32				
	inch		1 - 1/4				
Outdoor unit	Air flow at cooling	CMM	33.4	27.5 - 49	27.5 - 49	27.5 - 49	
		CFM	1,180	970 - 1,730	970 - 1,730	970 - 1,730	
	Air flow at heating	CMM	33.4	36.8 - 49	36.8 - 49	36.8 - 49	
		CFM	1,180	1,300 - 1,730	1,300 - 1,730	1,300 - 1,730	
	Sound level at cooling	dB(A)	47	51 - 53	51 - 53	51 - 53	
	(Low - High)						
	Sound level at heating	dB(A)	48	53 - 55	53 - 55	53 - 55	
	(Low - High)						
	External finish		Ivory Munsell 3.0Y 7.8/1.1				
	Dimension	W : mm	800	840	840	840	
		D : mm	285	330	330	330	
		H : mm	550	850	850	850	
		W : inch	31 - 1/2	33 - 1/16	33 - 1/16	33 - 1/16	
D : inch		11 - 1/4	13	13	13		
Unit (Panel)	H : inch	21 - 5/8	33 - 7/16	33 - 7/16	33 - 7/16		
Weight	kg	37	53	53	58		
	lbs	82	117	117	128		
Refrigerant pipe size	Gas side O.D.	mm	9.52	12.7	15.88	15.88	
		inch	3/8	1/2	5/8	5/8	
	Liquid side O.D.	mm	6.35	6.35	6.35	9.52	
		inch	1/4	1/4	1/4	3/8	
Refrigerant pipe length	Height difference	m	Max. 12	Max. 30	Max. 30	Max. 30	
	Length	m	Max. 20	Max. 30	Max. 30	Max. 30	

NOTE: 1. Rating conditions (ISO T1)
Cooling Indoor : D.B. 27°C (80°F) W.B. 19°C (66°F) Outdoor : D.B. 35°C (95°F) W.B. 24°C (75°F)
Heating Indoor : D.B. 20°C (68°F) Outdoor : D.B. 7°C (45°F) W.B. 6°C (43°F)
Refrigerant piping length (one way) : 5m (16ft.)

2. Guaranteed operating range

		Indoor	Outdoor	
			KA35VA	KA50, KA60, KA71
Cooling	Upper limit	32°C D.B. , 23°C W.B.	46°C D.B.	43°C D.B.
	Lower limit	21°C D.B. , 15°C W.B.	-10°C D.B.	-15°C D.B.
Heating	Upper limit	27°C D.B.	24°C D.B. , 18°C W.B.	
	Lower limit	20°C D.B.	-10°C D.B. , -11°C W.B.	

3. Guaranteed voltage
198~264V, 50Hz

4. Above data are based on the indicated voltage.
Indoor unit Single phase, 230V 50Hz
Outdoor unit Single phase, 230V 50Hz



Model name	Indoor unit		PLA-RP35AA	PLA-RP50AA	PLA-RP60AA	PLA-RP71AA
	Outdoor unit		SUZ-KA35VA	SUZ-KA50VA	SUZ-KA60VA	SUZ-KA71VA
Cooling	Capacity	Btu/h	11,900	17,100	19,400	24,200
		kW	3.5(1.0 - 3.9)	5.0(1.1 - 5.6)	5.7(1.1 - 6.3)	7.1(0.9 - 8.1)
	Total input	kW	1.09	1.78	1.94	2.53
	EER		3.21	2.81	2.94	2.81
	Energy label class		A	C	C	C
Heating	Capacity	Btu/h	14,000	20,500	23,500	27,300
		kW	4.1(0.9 - 5.0)	6.0(0.9 - 7.2)	6.9(0.9 - 8.0)	8.0(0.9 - 10.2)
	Total input	kW	1.11	1.76	2.11	2.49
	COP		3.69	3.41	3.27	3.21
	Energy label class		A	B	C	C
Power supply	Booster heater	kW	-	-	-	-
	Phase	φ	1	1	1	1
	Cycle	Hz	50	50	50	50
	Voltage	V	230	230	230	130
	Breaker size	A	10	20	20	20
Indoor unit	Air flow (Low-Medium2-Medium1-High)	CMM	11 - 12 - 13 - 14	14 - 15 - 16 - 18	14 - 15 - 16 - 18	15 - 16 - 18 - 20
		CFM	390 - 425 - 460 - 495	495 - 530 - 565 - 635	495 - 530 - 565 - 635	530 - 565 - 635 - 705
	External static pressure	Pa	0	0	0	0
	Sound level (Low-Medium2-Medium1-High)	dB(A)	27 - 28 - 29 - 31	28 - 29 - 31 - 33	28 - 29 - 31 - 33	28 - 30 - 32 - 34
	External finish (Panel)		White Munsell 0.70Y 8.59/0.97			
	Dimension Unit (Panel)	W : mm	840 (950)			
		D : mm	840 (950)			
		H : mm	258 (30)			
		W : inch	33 - 1/16 (37 - 3/8)			
		D : inch	33 - 1/16 (37 - 3/8)			
		H : inch	10 - 3/16 (1 - 3/16)			
Weight Unit (Panel)	kg	24 (5)				
	lbs	53 (11)				
Field drain pipe O.D.	mm	32				
	inch	1 - 1/4				
Outdoor unit	Air flow at cooling (Low - High)	CMM	33.4	27.5 - 49	27.5 - 49	27.5 - 49
		CFM	1,180	970 - 1,730	970 - 1,730	970 - 1,730
	Air flow at heating (Low - High)	CMM	33.4	36.8 - 49	36.8 - 49	36.8 - 49
		CFM	1,180	1,300 - 1,730	1,300 - 1,730	1,300 - 1,730
	Sound level at cooling (Low - High)	dB(A)	47	51 - 53	51 - 53	51 - 53
	Sound level at heating (Low - High)	dB(A)	48	53 - 55	53 - 55	53 - 55
	External finish		Ivory Munsell 3.0Y 7.8/1.1			
	Dimension	W : mm	800	840	840	840
		D : mm	285	330	330	330
		H : mm	550	850	850	850
		W : inch	31 - 1/2	33 - 1/16	33 - 1/16	33 - 1/16
D : inch		11 - 1/4	13	13	13	
H : inch		21 - 5/8	33 - 7/16	33 - 7/16	33 - 7/16	
Weight	kg	37	53	53	58	
	lbs	82	117	117	128	
Refrigerant pipe size	Gas side O.D.	mm	9.52	12.7	15.88	15.88
		inch	3/8	1/2	5/8	5/8
	Liquid side O.D.	mm	6.35	6.35	6.35	9.52
		inch	1/4	1/4	1/4	3/8
Refrigerant pipe length	Height difference	m	Max. 12	Max. 30	Max. 30	Max. 30
	Length	m	Max. 20	Max. 30	Max. 30	Max. 30

NOTE: 1. Rating conditions (ISO T1)
Cooling Indoor : D.B. 27°C (80°F) W.B. 19°C (66°F) Outdoor : D.B. 35°C (95°F) W.B. 24°C (75°F)
Heating Indoor : D.B. 20°C (68°F) Outdoor : D.B. 7°C (45°F) W.B. 6°C (43°F)
Refrigerant piping length (one way) : 5m (16ft.)

2. Guaranteed operating range

		Indoor	Outdoor	
			KA35VA	KA50, KA60, KA71
Cooling	Upper limit	32°C D.B. , 23°C W.B.	46°C D.B.	43°C D.B.
	Lower limit	21°C D.B. , 15°C W.B.	-10°C D.B.	-15°C D.B.
Heating	Upper limit	27°C D.B.	24°C D.B. , 18°C W.B.	
	Lower limit	20°C D.B.	-10°C D.B. , -11°C W.B.	

3. Guaranteed voltage
198-264V, 50Hz

4. Above data are based on the indicated voltage.
Indoor unit Single phase, 230V 50Hz
Outdoor unit Single phase, 230V 50Hz

2-3. CEILING-SUSPENDED TYPE

Model name	Indoor unit	PCA-RP50GA	PCA-RP50GA2	PCA-RP60GA	PCA-RP71GA	
	Outdoor unit	SUZ-KA50VA	SUZ-KA50VA	SUZ-KA60VA	SUZ-KA71VA	
Cooling	Capacity	Btu/h	16,000	17,000	18,800	24,200
		kW	4.7(1.1 - 5.4)	5.0(1.1 - 5.6)	5.5(1.1 - 6.3)	7.1(0.9 - 8.1)
	Total input	kW	1.80	1.78	1.92	2.53
	EER		2.61	2.81	2.86	2.81
	Energy label class		D	C	C	C
	SHF		0.70	0.81	0.79	0.71
Heating	Capacity	Btu/h	18,800	20,500	23,500	27,300
		kW	5.5(0.9 - 6.6)	6.0(0.9 - 7.2)	6.9(0.9 - 8.0)	8.0(0.9 - 10.2)
	Total input	kW	1.92	1.76	2.05	2.49
	COP		2.86	3.41	3.37	3.21
	Energy label class		D	B	C	C
	Booster heater	kW	-	-	-	-
Power supply	Phase	ϕ	1			
	Cycle	Hz	50			
	Voltage	V	230			
	Breaker size	A	20			
Indoor unit	Air flow (Low-Medium2-Medium1-High)	CMM	10 - 11 - 12 - 13	14 - 15 - 16 - 18		
		CFM	355 - 390 - 425 - 460	495 - 530 - 565 - 635		
	External static pressure	Pa	0			
	Sound level (Low-Medium2-Medium1-High)	dB(A)	37 - 38 - 40 - 42	37 - 39 - 41 - 43		
	External finish		White Munsell 0.70Y 8.59/0.97			
	Dimension	W : mm	1000	1310		
		D : mm		680		
		H : mm		210		
		W : inch	39 - 3/8	51 - 9/16		
		D : inch		26 - 3/4		
		H : inch		8 - 1/4		
	Weight	kg	27	34		
		lbs	60	75		
	Field drain pipe O.D.	mm	26			
inch		1				
Outdoor unit	Air flow at cooling (Low - High)	CMM	27.5 - 49	27.5 - 49	27.5 - 49	27.5 - 49
		CFM	970 - 1,730	970 - 1,730	970 - 1,730	970 - 1,730
	Air flow at heating (Low - High)	CMM	36.8 - 49	36.8 - 49	36.8 - 49	36.8 - 49
		CFM	1,300 - 1,730	970 - 1,730	1,300 - 1,730	1,300 - 1,730
	Sound level at cooling (Low - High)	dB(A)	51 - 53	51 - 53	51 - 53	51 - 53
	Sound level at heating (Low - High)	dB(A)	53 - 55	53 - 55	53 - 55	53 - 55
	External finish		Ivory Munsell 3.0Y 7.8/1.1			
	Dimension	W : mm	840	840	840	840
		D : mm	330	330	330	330
		H : mm	850	850	850	850
		W : inch	33 - 1/16	33 - 1/16	33 - 1/16	33 - 1/16
		D : inch	13	13	13	13
		H : inch	33 - 7/16	33 - 7/16	33 - 7/16	33 - 7/16
	Weight	kg	53	53	53	58
lbs		117	117	117	128	
Refrigerant pipe size	Gas side O.D.	mm	12.7	12.7	15.88	15.88
		inch	1/2	1/2	5/8	5/8
	Liquid side O.D.	mm	6.35	6.35	6.35	9.52
		inch	1/4	1/4	1/4	3/8
Refrigerant pipe length	Height difference	m	Max. 30	Max. 30	Max. 30	Max. 30
	Length	m	Max. 30	Max. 30	Max. 30	Max. 30

NOTE: 1. Rating conditions (ISO T1)
Cooling Indoor : D.B. 27°C (80°F) W.B. 19°C (66°F) Outdoor : D.B. 35°C (95°F) W.B. 24°C (75°F)
Heating Indoor : D.B. 20°C (68°F) Outdoor : D.B. 7°C (45°F) W.B. 6°C (43°F)
Refrigerant piping length (one way) : 5m (16ft.)

2. Guaranteed operating range

		Indoor	Outdoor
Cooling	Upper limit	D.B. 32°C, W.B. 23°C	D.B. 43°C
	Lower limit	D.B. 21°C, W.B. 15°C	D.B. -15°C
Heating	Upper limit	D.B. 27°C	D.B. 24°C, W.B. 18°C
	Lower limit	D.B. 20°C	D.B. -10°C, W.B. -11°C

3. Guaranteed voltage
198-264V, 50Hz

4. Above data are based on the indicated voltage.
Indoor unit Single phase, 230V 50Hz
Outdoor unit Single phase, 230V 50Hz

2-4. CEILING-CONCEALED TYPE

Model name	Indoor unit	SEZ-KD25VA(L)	SEZ-KD35VA(L)	SEZ-KD50VA(L)	SEZ-KD60VA(L)	SEZ-KD71VA(L)	
	Outdoor unit	SUZ-KA25VA	SUZ-KA35VA	SUZ-KA50VA	SUZ-KA60VA	SUZ-KA71VA	
Cooling	Capacity	Btu/h	8,500	11,900	17,100	18,800	24,200
		kW	2.5(0.9 - 3.2)	3.5(1.0 - 3.9)	5.0(1.1 - 5.6)	5.5(1.1 - 6.3)	7.1(0.9 - 8.3)
	Total input	kW	0.778	1.09	1.78	1.89	2.53
	EER		3.21	3.21	2.81	2.91	2.81
	Energy label class		A	A	C	C	C
	SHF		0.80	0.78	0.76	0.79	0.74
Heating	Capacity	Btu/h	10,200	13,600	20,500	23,900	27,600
		kW	3.0(0.9 - 4.5)	4.0(0.9 - 5.0)	6.0(1.1 - 7.2)	7.0(0.9 - 8.0)	8.1(0.9 - 10.4)
	Total input	kW	0.83	1.108	1.87	2.05	2.37
	COP		3.61	3.61	3.21	3.41	3.42
	Energy label class		A	A	C	B	B
	Booster heater	kW	-	-	-	-	-
Power supply	Phase	φ	1	1	1	1	
	Cycle	Hz	50	50	50	50	
	Voltage	V	230	230	230	230	
	Breaker size	A	10	10	20	20	
Indoor unit	Air flow (Low - Medium - High)	CMM	5.5 - 7.0 - 9.0	7.0 - 9.0 - 11.0	10.0 - 12.5 - 15.0	12.0 - 15.0 - 18.0	12.0 - 16.0 - 20.0
		CFM	190 - 250 - 320	250 - 320 - 390	350 - 440 - 530	420 - 530 - 640	420 - 570 - 710
	External static pressure	Pa	5 - 15 - 35 - 50	5 - 15 - 35 - 50	5 - 15 - 35 - 50	5 - 15 - 35 - 50	5 - 15 - 35 - 50
	Sound level (Low - Medium - High)	dB(A)	23 - 26 - 30	23 - 28 - 33	30 - 34 - 37	30 - 34 - 38	30 - 35 - 40
			Galvanized sheets				
	Dimension	W : mm	700	900	900	1100	1100
		D : mm	700	700	700	700	700
		H : mm	200	200	200	200	200
		W : inch	27 - 9/16	35 - 7/16	35 - 7/16	43 - 5/16	43 - 5/16
		D : inch	27 - 9/16	27 - 9/16	27 - 9/16	27 - 9/16	27 - 9/16
		H : inch	7 - 7/8	7 - 7/8	7 - 7/8	7 - 7/8	7 - 7/8
	Weight	kg	18	21	23	27	27
		lbs	40	47	51	60	60
Field drain pipe O.D.	mm	32					
	inch	1 - 9/32					
Outdoor unit	Air flow at cooling (Low - High)	CMM	34.3	33.4	27.5 - 49	27.5 - 49	27.5 - 49
		CFM	1,210	1,180	970 - 1,730	970 - 1,730	970 - 1,730
	Air flow at heating (Low - High)	CMM	32.3	33.4	36.8 - 49	36.8 - 49	36.8 - 49
		CFM	1,140	1,180	1,300 - 1,730	1,300 - 1,730	1,300 - 1,730
	Sound level at cooling (Low - High)	dB(A)	46	47	51 - 53	51 - 53	51 - 53
	Sound level at heating (Low - High)	dB(A)	46	48	53 - 55	53 - 55	53 - 55
	External finish		Ivory Munsell 3.0Y 7.8/1.1				
	Dimension	W : mm	800	800	840	840	840
D : mm		285	285	330	330	330	
H : mm		550	550	850	850	850	
W : inch		31 - 1/2	31 - 1/2	33 - 1/16	33 - 1/16	33 - 1/16	
D : inch		11 - 1/4	11 - 1/4	13	13	13	
H : inch		21 - 5/8	21 - 5/8	33 - 7/16	33 - 7/16	33 - 7/16	
Weight	kg	33	37	53	53	58	
	lbs	73	82	117	117	128	
Refrigerant pipe size	Gas side O.D.	mm	9.52	9.52	12.7	15.88	15.88
		inch	3/8	3/8	1/2	5/8	5/8
	Liquid side O.D.	mm	6.35	6.35	6.35	6.35	9.52
		inch	1/4	1/4	1/4	1/4	3/8
Refrigerant pipe length	Height difference	m	Max. 12	Max. 12	Max. 30	Max. 30	Max. 30
	Length	m	Max. 20	Max. 20	Max. 30	Max. 30	Max. 30

NOTE: 1. Rating conditions (ISO T1)

Cooling Indoor : D.B. 27°C (80°F) W.B. 19°C (66°F) Outdoor : D.B. 35°C (95°F) W.B. 24°C (75°F)

Heating Indoor : D.B. 20°C (68°F)

Outdoor : D.B. 7°C (45°F) W.B. 6°C (43°F)

Refrigerant piping length (one way) : 5m (16ft.)

2. Guaranteed operating range

		Indoor	Outdoor	
			KA25, KA35VA	KA50, KA60, KA71
Cooling	Upper limit	32°C D.B., 23°C W.B.	46°C D.B.	43°C D.B.
	Lower limit	21°C D.B., 15°C W.B.	-10°C D.B.	-15°C D.B.
Heating	Upper limit	27°C D.B.	24°C D.B., 18°C W.B.	
	Lower limit	20°C D.B.	-10°C D.B., -11°C W.B.	

3. Guaranteed voltage
198-264V, 50Hz

4. Above data are based on the indicated voltage.
Indoor unit Single phase, 230V 50Hz
Outdoor unit Single phase, 230V 50Hz

Model name	Indoor unit	SEZ-KC25VA	SEZ-KA35VA	SEZ-KA50VA	SEZ-KA60VA	SEZ-KA71VA	
	Outdoor unit	SUZ-KA25VA	SUZ-KA35VA	SUZ-KA50VA	SUZ-KA60VA	SUZ-KA71VA	
Cooling	Capacity	Btu/h	8,500	11,900	17,100	18,800	24,200
		kW	2.5(0.9 - 3.2)	3.5(1.0 - 3.9)	5.0(1.1 - 5.6)	5.5(1.1 - 6.3)	7.1(0.9 - 8.3)
	Total input	kW	0.73	1.06	1.78	1.96	2.46
	EER		3.42	3.30	2.81	2.81	2.89
	Energy label class		A	A	C	C	C
	SHF		0.74	0.77	0.75	0.75	0.74
Heating	Capacity	Btu/h	10,200	13,600	20,100	23,500	27,600
		kW	3.0(0.9 - 4.5)	4.0(0.9 - 5.0)	5.9(1.1 - 7.2)	6.9(0.9 - 8.0)	8.1(0.9 - 10.4)
	Total input	kW	0.83	1.10	1.84	2.45	2.36
	COP		3.61	3.64	3.21	2.82	3.43
	Energy label class		A	A	C	D	B
	Booster heater	kW	-	-	-	-	-
Power supply	Phase	φ	1	1	1	1	1
	Cycle	Hz	50	50	50	50	50
	Voltage	V	230	230	230	230	230
	Breaker size	A	10	10	20	20	20
Indoor unit	Air flow (Low - High)	CMM	4.8 - 7.9	10 - 13	12 - 17	12 - 20	12 - 20
		CFM	170 - 280	355 - 460	425 - 600	425 - 705	425 - 705
	External static pressure	Pa	Std:5 Max:5	Std:30 Max:50	Std:30 Max:50	Std:30 Max:50	Std:30 Max:50
	Sound level (Low - High)	dB(A)	25 - 36	30 - 35	31 - 39	32 - 43	32 - 43
	External finish		Galvanized sheets				
	Dimension	W : mm	790	1100			
		D : mm	550	700			
		H : mm	225	270			
		W : inch	31 - 1/8	43 - 5/16			
		D : inch	21 - 5/8	27 - 9/16			
		H : inch	8 - 7/8	10 - 5/8			
	Weight	kg	19	33.5			35
		lbs	42	74			77
Unit drain pipe		R1(External thread)		R1(External thread)			
Outdoor unit	Air flow at cooling (Low - High)	CMM	34.3	33.4	27.5 - 49	27.5 - 49	27.5 - 49
		CFM	1,210	1,180	970 - 1,730	970 - 1,730	970 - 1,730
	Air flow at heating (Low - High)	CMM	32.3	33.4	36.8 - 49	36.8 - 49	36.8 - 49
		CFM	1,140	1,180	1,300 - 1,730	1,300 - 1,730	1,300 - 1,730
	Sound level at cooling (Low - High)	dB(A)	46	47	51 - 53	51 - 53	51 - 53
	Sound level at heating (Low - High)	dB(A)	46	48	53 - 55	53 - 55	53 - 55
	External finish		Ivory Munsell 3.0Y 7.8/1.1				
	Dimension	W : mm	800	800	840	840	840
		D : mm	285	285	330	330	330
		H : mm	550	550	850	850	850
		W : inch	31 - 1/2	31 - 1/2	33 - 1/16	33 - 1/16	33 - 1/16
		D : inch	11 - 1/4	11 - 1/4	13	13	13
		H : inch	21 - 5/8	21 - 5/8	33 - 7/16	33 - 7/16	33 - 7/16
Weight	kg	33	37	53	53	58	
	lbs	73	82	117	117	128	
Refrigerant pipe size	Gas side O.D.	mm	9.52	9.52	12.7	15.88	15.88
		inch	3/8	3/8	1/2	5/8	5/8
	Liquid side O.D.	mm	6.35	6.35	6.35	6.35	9.52
		inch	1/4	1/4	1/4	1/4	3/8
Refrigerant pipe length	Height difference	m	Max. 12	Max. 12	Max. 30	Max. 30	Max. 30
	Length	m	Max. 20	Max. 20	Max. 30	Max. 30	Max. 30

NOTE: 1. Rating conditions (ISO T1)

Cooling Indoor : D.B. 27°C (80°F) W.B. 19°C (66°F)

Outdoor : D.B. 35°C (95°F) W.B. 24°C (75°F)

Heating Indoor : D.B. 20°C (68°F)

Outdoor : D.B. 7°C (45°F) W.B. 6°C (43°F)

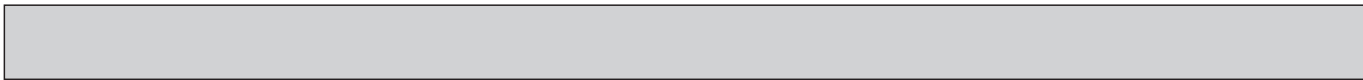
Refrigerant piping length (one way) : 5m (16ft.)

2. Guaranteed operating range

		Indoor		Outdoor	
				KA25, KA35VA	KA50, KA60, KA71
Cooling	Upper limit	32°C D.B., 23°C W.B.	46°C D.B.	43°C D.B.	
	Lower limit	21°C D.B., 15°C W.B.	-10°C D.B.	-15°C D.B.	
Heating	Upper limit	27°C D.B.	24°C D.B., 18°C W.B.		
	Lower limit	20°C D.B.	-10°C D.B., -11°C W.B.		

3. Guaranteed voltage
198~264V, 50Hz

4. Above data are based on the indicated voltage.
Indoor unit Single phase, 230V 50Hz
Outdoor unit Single phase, 230V 50Hz



Model name	Indoor unit		PEAD-RP35EA2	PEAD-RP50EA	PEAD-RP60EA	PEAD-RP71EA	
	Outdoor unit		SUZ-KA35VA	SUZ-KA50VA	SUZ-KA60VA	SUZ-KA71VA	
Cooling	Capacity	Btu/h	12,300	16,700	20,500	24,200	
		kW	3.6(1.0 - 3.9)	4.9(1.1 - 5.6)	6.0(1.1 - 6.3)	7.1(0.9 - 8.1)	
	Total input	kW	1.12	1.74	2.05	2.53	
	EER			3.21	2.82	2.93	2.81
	Energy label class			A	C	C	C
	SHF			0.90	0.79	0.80	0.81
Heating	Capacity	Btu/h	14,000	20,100	23,900	27,300	
		kW	4.1(0.9 - 5.0)	5.9(0.9 - 7.2)	7.0(0.9 - 8.0)	8.0(0.9 - 10.2)	
	Total input	kW	1.13	1.69	2.07	2.49	
	COP			3.63	3.49	3.38	3.21
	Energy label class			A	B	C	C
	Booster heater		kW	-	-	-	-
Power supply	Phase	φ	1	1	1	1	
	Cycle	Hz	50	50	50	50	
	Voltage	V	230	230	230	230	
	Breaker size	A	10	20	20	20	
Indoor unit	Air flow	CMM	13.5 - 17		17 - 21	20 - 25	
	(Low - High)	CFM	476 - 600		600 - 741	706 - 883	
	External static pressure	Pa	30(70)		30(70)	70(130)	
	Sound level	dB(A)	36 - 40		37 - 41	37 - 41	
	(Low - High)		(70Pa : 38 - 44)		(70Pa : 39 - 46)	(130Pa : 40 - 45)	
	External finish		Galvanized sheets		Galvanized sheets		
	Dimension	W : mm	935		1175		
		D : mm	700		700	740	
		H : mm	295		295	325	
		W : inch	36 - 13/16		46 - 1/8		
		D : inch	27 - 5/8		27 - 5/8	29 - 1/8	
H : inch		11 - 5/8		11 - 5/8	12 - 13/16		
Weight	kg	33	35	42	44		
	lbs	73	77	92	97		
Unit drain pipe		R1(External thread)		R1(External thread)			
Outdoor unit	Air flow at cooling	CMM	33.4	27.5 - 49	27.5 - 49	27.5 - 49	
	(Low - High)	CFM	1,180	970 - 1,730	970 - 1,730	970 - 1,730	
	Air flow at heating	CMM	33.4	36.8 - 49	36.8 - 49	36.8 - 49	
	(Low - High)	CFM	1,180	1,300 - 1,730	1,300 - 1,730	1,300 - 1,730	
	Sound level at cooling	dB(A)	47	51 - 53	51 - 53	51 - 53	
	(Low - High)						
	Sound level at heating	dB(A)	48	53 - 55	53 - 55	53 - 55	
	(Low - High)						
	External finish		Ivory Munsell 3.0Y 7.8/1.1				
	Dimension	W : mm	800	840	840	840	
		D : mm	285	330	330	330	
H : mm		550	850	850	850		
W : inch		31 - 1/2	33 - 1/16	33 - 1/16	33 - 1/16		
D : inch		11 - 1/4	13	13	13		
H : inch		21 - 5/8	33 - 7/16	33 - 7/16	33 - 7/16		
Weight	kg	37	53	53	58		
	lbs	82	117	117	128		
Refrigerant pipe size	Gas side O.D.	mm	9.52	12.7	15.88	15.88	
		inch	3/8	1/2	5/8	5/8	
	Liquid side O.D.	mm	6.35	6.35	6.35	9.52	
		inch	1/4	1/4	1/4	3/8	
Refrigerant pipe length	Height difference	m	Max. 12	Max. 30	Max. 30	Max. 30	
	Length	m	Max. 20	Max. 30	Max. 30	Max. 30	

NOTE: 1. Rating conditions (ISO T1)
Cooling Indoor : D.B. 27°C (80°F) W.B. 19°C (66°F) Outdoor : D.B. 35°C (95°F) W.B. 24°C (75°F)
Heating Indoor : D.B. 20°C (68°F) Outdoor : D.B. 7°C (45°F) W.B. 6°C (43°F)
Refrigerant piping length (one way) : 5m (16ft.)

2. Guaranteed operating range

		Indoor	Outdoor	
			KA25, KA35VA	KA50, KA60, KA71
Cooling	Upper limit	32°C D.B. , 23°C W.B.	46°C D.B.	43°C D.B.
	Lower limit	21°C D.B. , 15°C W.B.	-10°C D.B.	-15°C D.B.
Heating	Upper limit	27°C D.B.	24°C D.B. , 18°C W.B.	
	Lower limit	20°C D.B.	-10°C D.B. , -11°C W.B.	

3. Guaranteed voltage
198-264V, 50Hz

4. Above data are based on the indicated voltage.
Indoor unit Single phase, 230V 50Hz
Outdoor unit Single phase, 230V 50Hz

Model name	Indoor unit		PEAD-RP60GA	PEAD-RP71GA
	Outdoor unit		SUZ-KA60VA	SUZ-KA71VA
Cooling	Capacity	Btu/h	19,400	24,200
		kW	5.7(1.1 - 6.3)	7.1(0.9 - 8.1)
	Total input	kW	2.03	2.53
	EER		2.81	2.81
	Energy label class		C	C
	SHF		0.82	0.81
Heating	Capacity	Btu/h	23,900	27,300
		kW	7.0(0.9 - 8.0)	8.0(0.9 - 10.2)
	Total input	kW	2.05	2.49
	COP		3.41	3.21
	Energy label class		B	C
	Booster heater	kW	-	-
Power supply	Phase	φ	1	
	Cycle	Hz	50	
	Voltage	V	230	
	Breaker size	A	20	
Indoor unit	Air flow	CMM	16.5 - 21	20 - 25
	(Low - High)	CFM	582 - 741	706 - 883
	External static pressure	Pa	10/50/70	
	Sound level	dB(A)	33 - 37/35 - 40/36 - 42	35 - 38/37 - 41/37 - 43
	(Low - High)		(10/50/70Pa)	(10/50/70Pa)
	External finish		Galvanized sheets	
	Dimension	W : mm	1171	
		D : mm	740	
		H : mm	275	
		W : inch	46 - 1/8	
		D : inch	29 - 1/8	
H : inch		10 - 13/16		
Weight	kg	42		
	lbs	93		
Unit drain pipe		R1(External thread)		
Outdoor unit	Air flow at cooling	CMM	27.5 - 49	27.5 - 49
		CFM	970 - 1,730	970 - 1,730
	Air flow at heating	CMM	36.8 - 49	36.8 - 49
		CFM	1,300 - 1,730	1,300 - 1,730
	Sound level at cooling	dB(A)	51 - 53	51 - 53
	(Low - High)			
	Sound level at heating	dB(A)	53 - 55	53 - 55
	(Low - High)			
	External finish		Ivory Munsell 3.0Y 7.8/1.1	
	Dimension	W : mm	840	840
		D : mm	330	330
		H : mm	850	850
		W : inch	33 - 1/16	33 - 1/16
		D : inch	13	13
H : inch		33 - 7/16	33 - 7/16	
Weight	kg	53	58	
	lbs	117	128	
Refrigerant pipe size	Gas side O.D.	mm	15.88	15.88
		inch	5/8	5/8
	Liquid side O.D.	mm	6.35	9.52
		inch	1/4	3/8
Refrigerant pipe length	Height difference	m	Max. 30	Max. 30
	Length	m	Max. 30	Max. 30

NOTE: 1. Rating conditions (ISO T1)

Cooling Indoor : D.B. 27°C (80°F) W.B. 19°C (66°F)

Outdoor : D.B. 35°C (95°F) W.B. 24°C (75°F)

Heating Indoor : D.B. 20°C (68°F)

Outdoor : D.B. 7°C (45°F) W.B. 6°C (43°F)

Refrigerant piping length (one way) : 5m (16ft.)

2. Guaranteed operating range

		Indoor	Outdoor
Cooling	Upper limit	32°C D.B. , 23°C W.B.	KA60, KA71 43°C D.B.
	Lower limit	21°C D.B. , 15°C W.B.	-15°C D.B.
Heating	Upper limit	27°C D.B.	24°C D.B. , 18°C W.B.
	Lower limit	20°C D.B.	-10°C D.B. , -11°C W.B.

3. Guaranteed voltage
198~264V, 50Hz

4. Above data are based on the indicated voltage.

Indoor unit Single phase, 230V 50Hz
Outdoor unit Single phase, 230V 50Hz

Model name	Indoor unit		PEA-RP71EA
	Outdoor unit		SUZ-KA71VA
Cooling	Capacity	Btu/h	23,500
		kW	6.9
	Total input	kW	2.90
	EER		2.38
	SHF		0.84
Heating	Capacity	Btu/h	27,300
		kW	8.0
	Total input	kW	2.49
	COP		3.21
	Booster heater	kW	-
Power supply	Phase	φ	1
	Cycle	Hz	50
	Voltage	V	230
	Breaker size	A	20
Indoor unit	Air flow	CMM	22 - 27
	(Low - High)	R/s	367 - 450
	External static pressure	Pa	125
	Sound level (Low - High)	dB(A)	52 - 55
	External finish		Galvanized sheets
	Dimension	W : mm	785
		D : mm	690
		H : mm	428
		W : inch	31
		D : inch	27 - 1/16
		H : inch	16 - 7/8
	Weight	kg	46
		lbs	101
Unit drain pipe		R1(External therad)	
Outdoor unit	Air flow at cooling (Low - High)	CMM	27.5 - 49
		CFM	970 - 1,730
	Air flow at heating (Low - High)	CMM	36.8 - 49
		CFM	1,300 - 1,730
	Sound level at cooling (Low - High)	dB(A)	51 - 53
	Sound level at heating (Low - High)	dB(A)	53 - 55
	External finish		Ivory Munsell 3.0Y 7.8/1.1
	Dimension	W : mm	840
		D : mm	330
		H : mm	850
		W : inch	33 - 1/16
		D : inch	13
		H : inch	33 - 7/16
Weight	kg	58	
	lbs	128	
Refrigerant pipe size	Gas side O.D.	mm	15.88
		inch	5/8
	Liquid side O.D.	mm	9.52
		inch	3/8
Refrigerant pipe length	Height difference	m	Max. 30
	Length	m	Max. 30

- NOTE:**
- Rating conditions (ISO T1)
Cooling Indoor : D.B. 27°C (80°F) W.B. 19°C (66°F) Outdoor : D.B. 35°C (95°F) W.B. 24°C (75°F)
Heating Indoor : D.B. 20°C (68°F) Outdoor : D.B. 7°C (45°F) W.B. 6°C (43°F)
Refrigerant piping length (one way) : 5m (16ft.)
 - Guaranteed operating range

		Indoor	Outdoor
			KA71
Cooling	Upper limit	32°C D.B. , 23°C W.B.	43°C D.B.
	Lower limit	21°C D.B. , 15°C W.B.	-15°C D.B.
Heating	Upper limit	27°C D.B.	24°C D.B. , 18°C W.B.
	Lower limit	20°C D.B.	-10°C D.B. , -11°C W.B.

- Guaranteed voltage
198~264V, 50Hz

- Above data are based on the indicated voltage.
Indoor unit Single phase, 230V 50Hz
Outdoor unit Single phase, 230V 50Hz

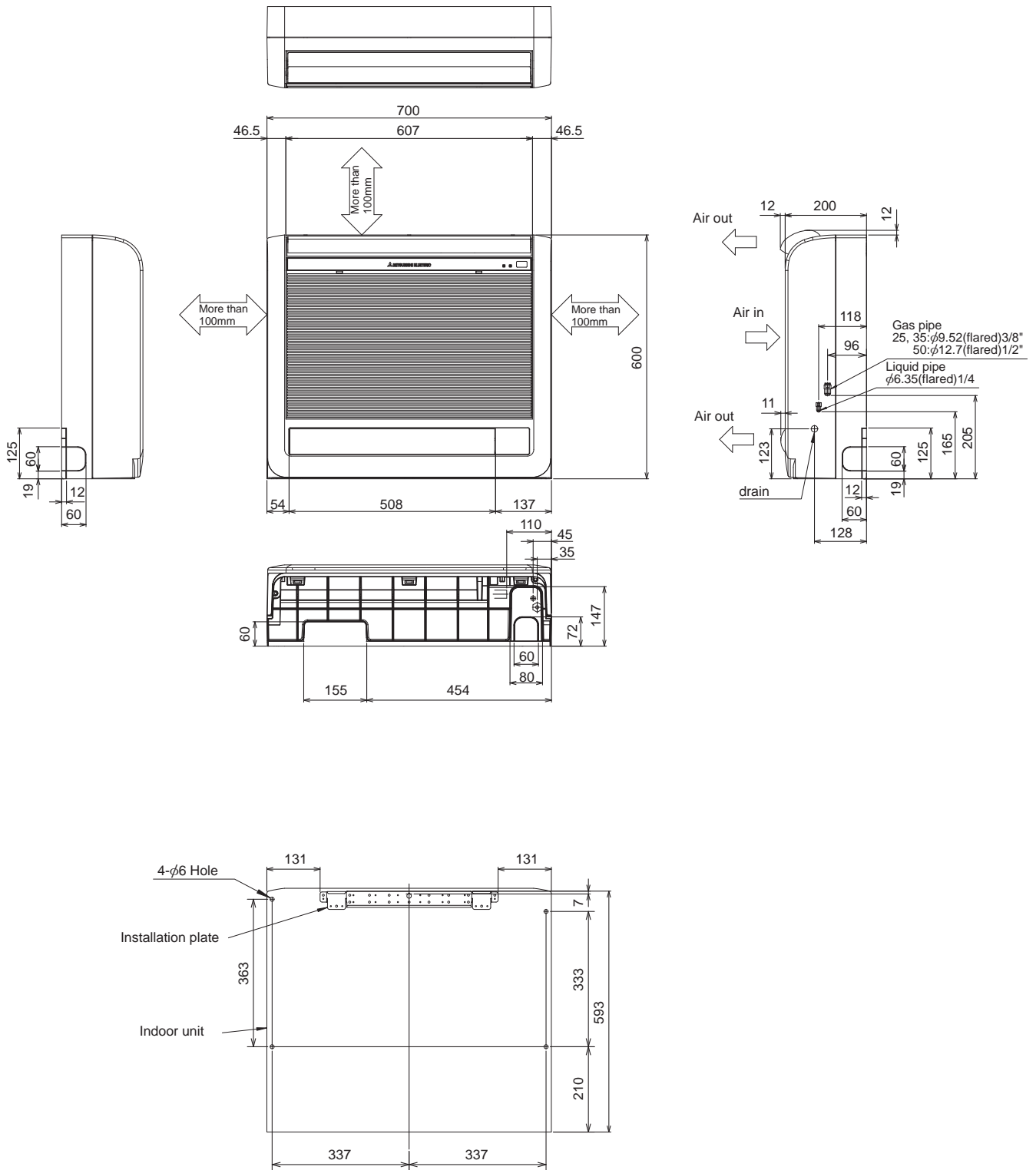
3

OUTLINES AND DIMENSIONS

INDOOR UNIT

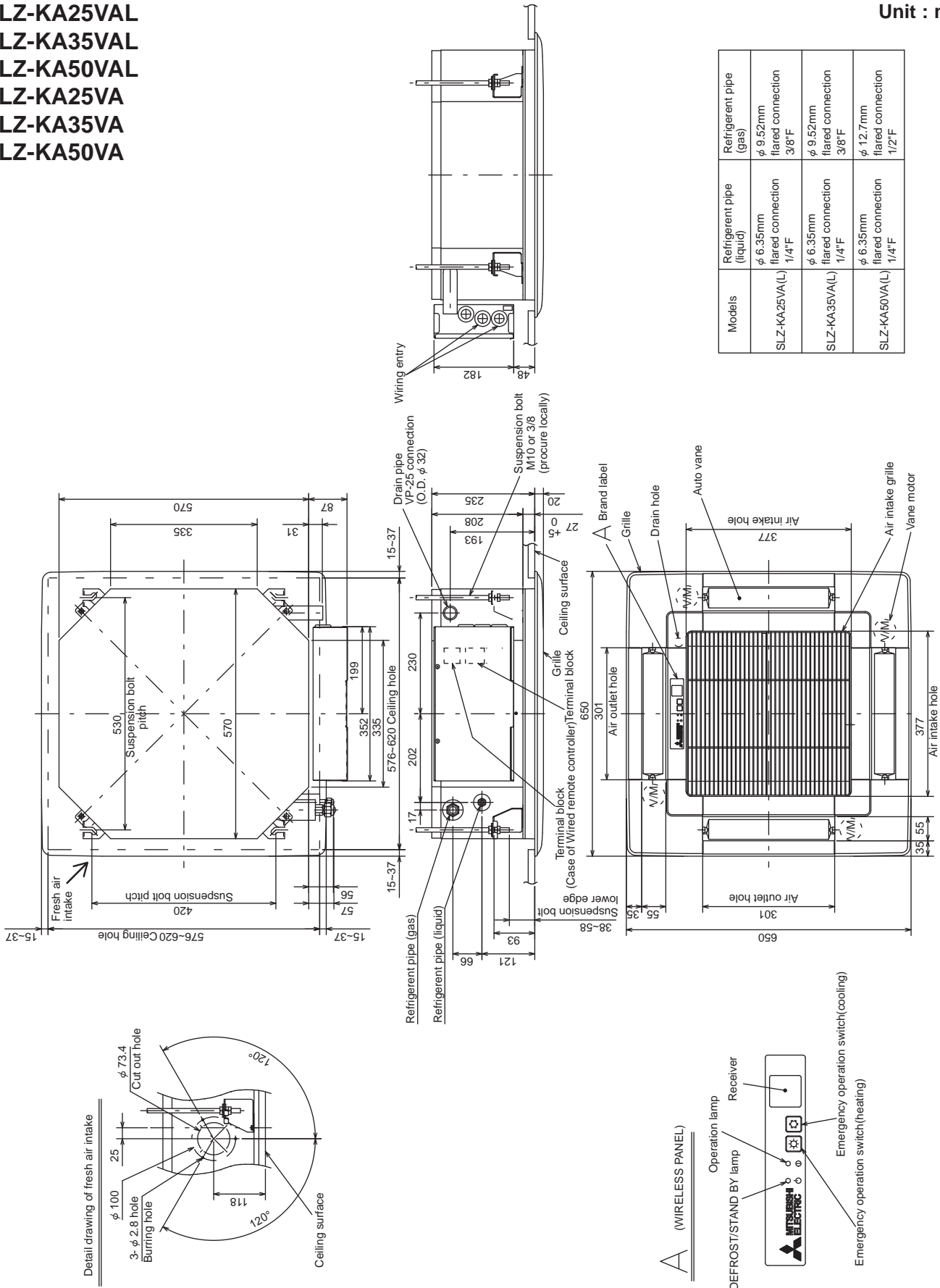
Unit : mm

MFZ-KA25VA
MFZ-KA35VA
MFZ-KA50VA



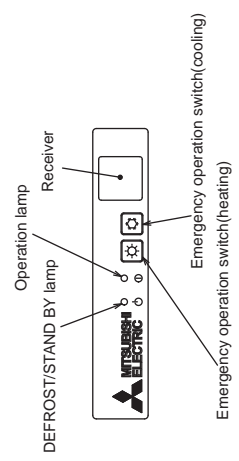
SLZ-KA25VAL
 SLZ-KA35VAL
 SLZ-KA50VAL
 SLZ-KA25VA
 SLZ-KA35VA
 SLZ-KA50VA

Unit : mm



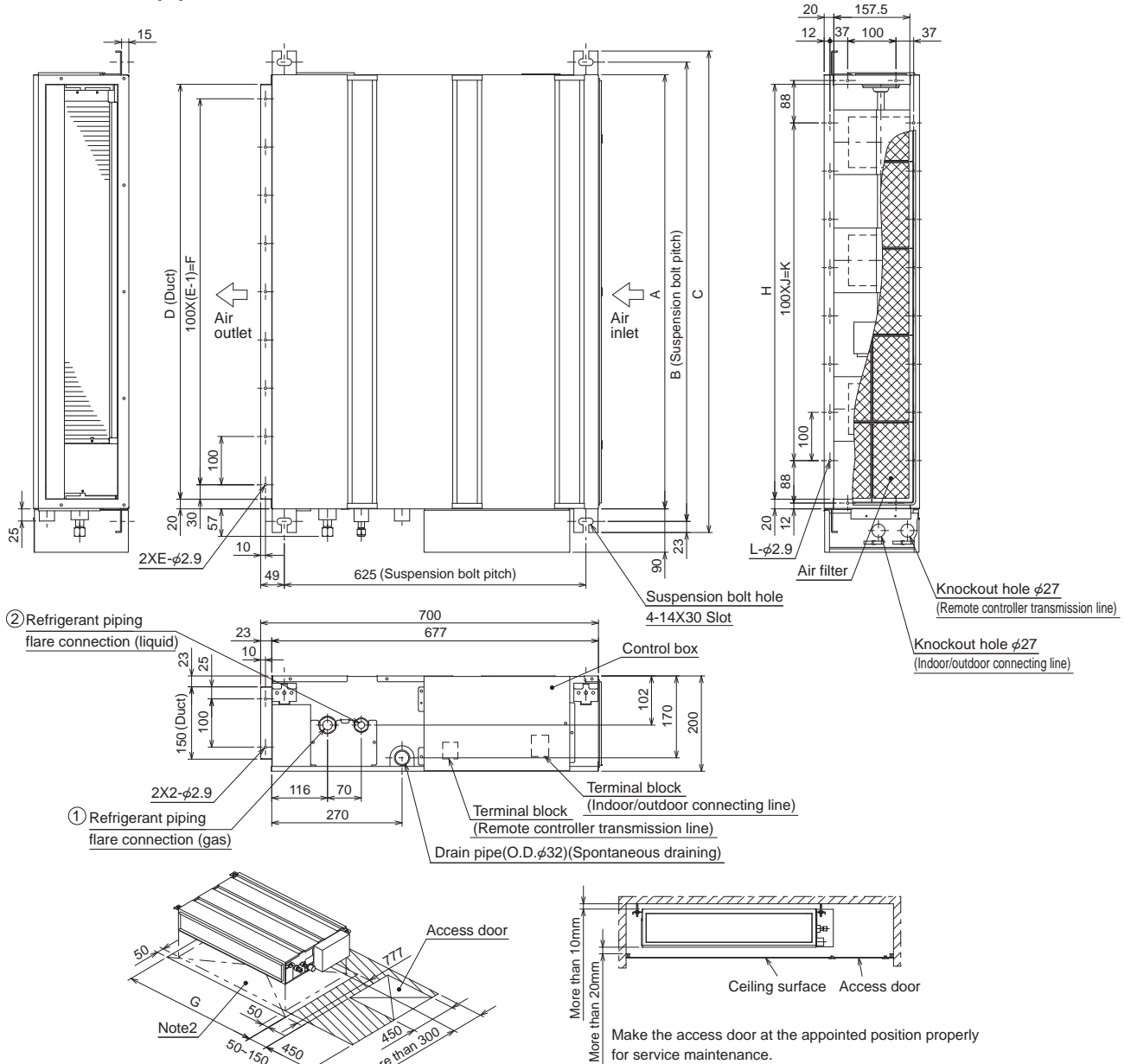
Models	Refrigerant pipe (liquid)	Refrigerant pipe (gas)
SLZ-KA25VAL(L)	φ 6.35mm flared connection 1/4"F	φ 9.52mm flared connection 3/8"F
SLZ-KA35VAL(L)	φ 6.35mm flared connection 1/4"F	φ 9.52mm flared connection 3/8"F
SLZ-KA50VAL(L)	φ 6.35mm flared connection 1/4"F	φ 12.7mm flared connection 1/2"F

A (WIRELESS PANEL)



SEZ-KD25VA(L)
SEZ-KD35VA(L)
SEZ-KD50VA(L)
SEZ-KD60VA(L)
SEZ-KD71VA(L)

Unit : mm



Required space for service and maintenance

Model	A	B	C	D	E	F	G	H	J	K	L	① Gas pipe	② Liquid pipe
SEZ-KD25VA(L)	700	752	798	660	7	600	800	660	5	500	16	φ9.52	φ6.35
SEZ-KD35VA(L)	900	952	998	860	9	800	1000	860	7	700	20		
SEZ-KD50VA(L)												φ12.7	
SEZ-KD60VA(L)	1100	1152	1198	1060	11	1000	1200	1060	9	900	24	φ15.88	φ9.52
SEZ-KD71VA(L)													

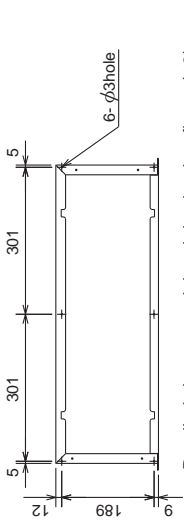
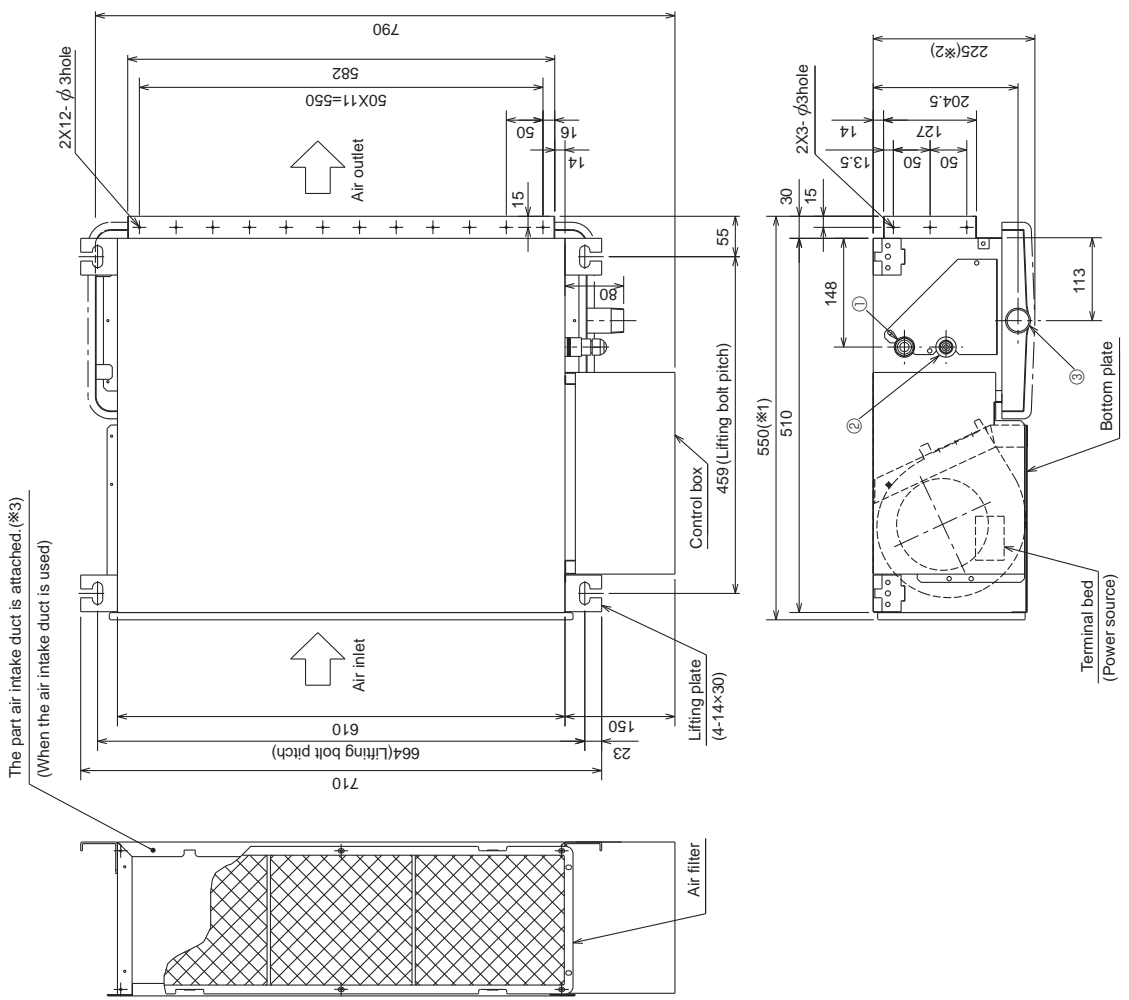
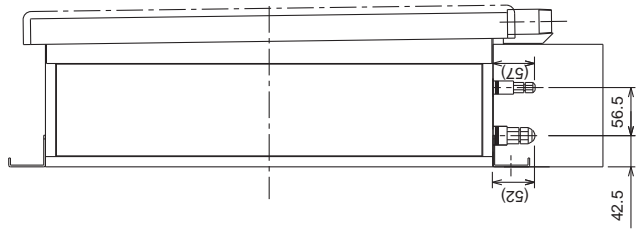
- Note1. Use M10 screw for the suspension bolt (field supply).
 2. Keep the service space for the maintenance at the bottom.
 3. This chart indicates for SEZ-KD50VA(L) model, which has 3 fans.
 SEZ-KD25,35VA(L) models have 2 fans.
 SEZ-KD60,71VA(L) models have 4 fans.
 4. In case an inlet duct is used, remove the air filter (supply with the unit), then install the filter (field supply) at suction side.

SEZ-KC25VA

Unit : mm

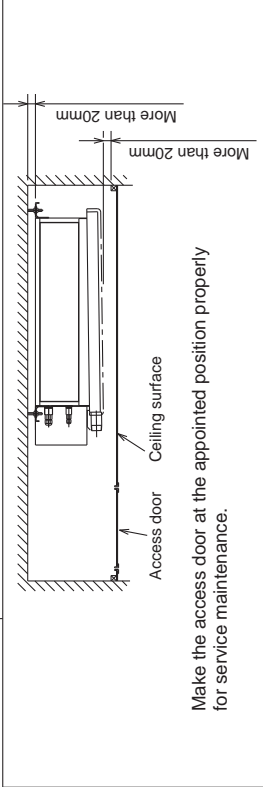
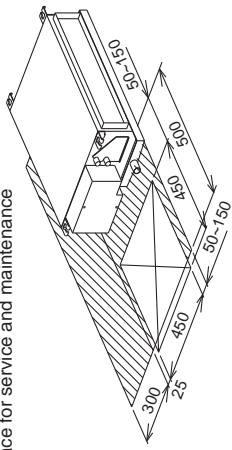
- Note**
1. Use M10 screw for the lifting bolt (field supply).
 2. Keep the service space for the maintenance from the bottom when the heat exchanger is cleaned.
 3. The direction of air intake can be changed from the bottom to the rear by attaching the bottom plate to the air intake side.
 4. Drain Pan is changeable from right and left.
 5. The dimension is changed, in case the optional long-life filter is attached.
- Rear Air-Intake spec. : Depth is increased by 30mm(*1)
 Bottom Air-Intake spec. : Height is increased by 30mm(*2)

- Refrigerant piping flare connection
 (gas φ9.52 copper tube):LP①
 Refrigerant piping flare connection
 (liquid φ6.35 copper tube):HP②
 Drain piping connection R1 (External thread)③



Detailed chart around the air intake duct flange(*3)
 (Duct and flange should be supplied in the field.)

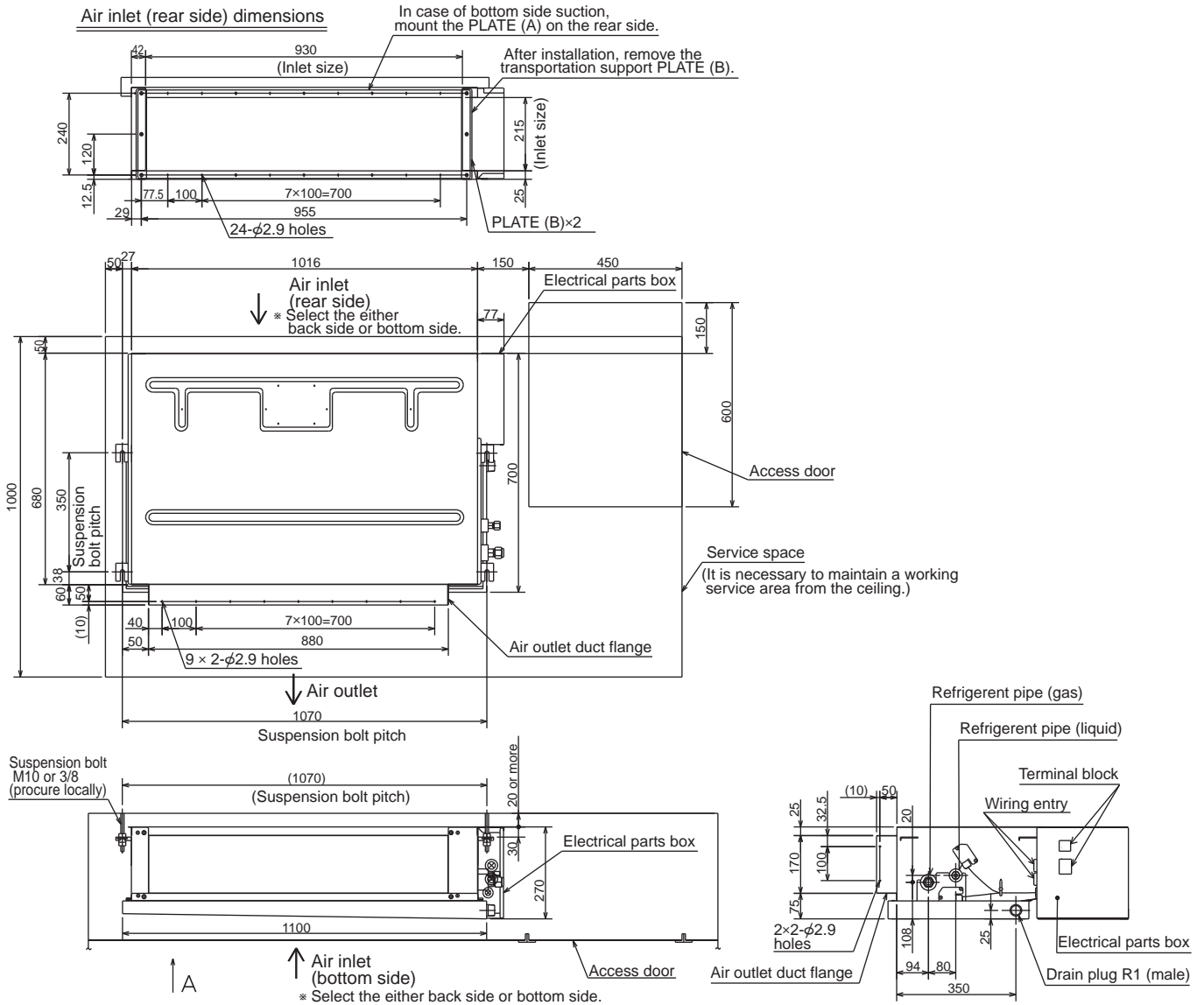
Required space for service and maintenance



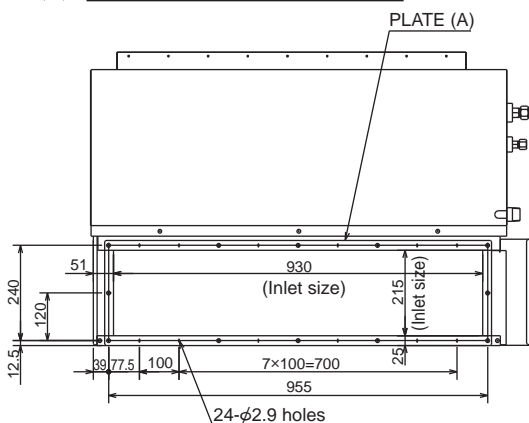
Make the access door at the appointed position properly for service maintenance.

SEZ-KA35VA
SEZ-KA50VA
SEZ-KA60VA
SEZ-KA71VA

Unit : mm



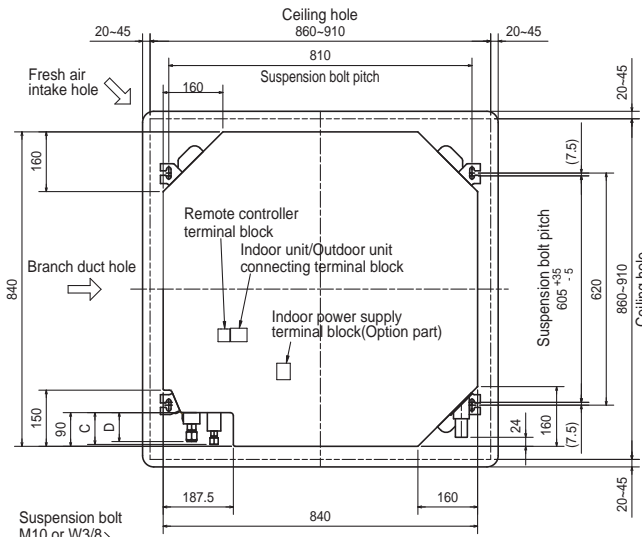
A Air inlet (bottom side) dimensions



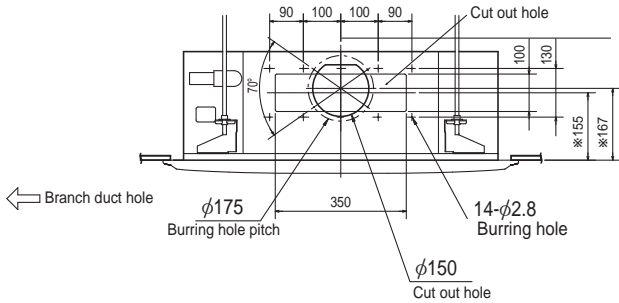
Models	Refrigerant pipe (liquid)	Refrigerant pipe (gas)
SEZ-KA35VA	φ6.35mm flared connection 1/4" F	φ9.52mm flared connection 3/8" F
SEZ-KA50VA	φ6.35mm flared connection 1/4" F	φ12.7mm flared connection 1/2" F
SEZ-KA60VA	φ6.35mm flared connection 1/4" F	φ15.88mm flared connection 5/8" F
SEZ-KA71VA	φ9.52mm flared connection 3/8" F	φ15.88mm flared connection 5/8" F

PLA-RP35BA PLA-RP50BA PLA-RP60BA PLA-RP71BA

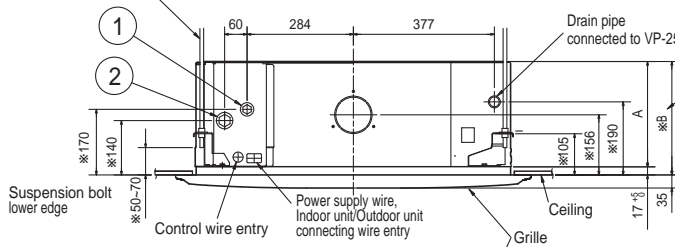
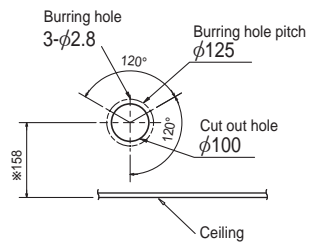
Unit : mm



Detail connecting of branch duct(Both aspects)



Detail drawing of fresh air intake hole



(Connected the attached flexible pipe or socket.)
Keep approximately 10 to 15mm space between unit ceiling and ceiling slab.

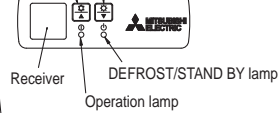
In case of standard grille : PLP-6BA / PLP-6BAMD



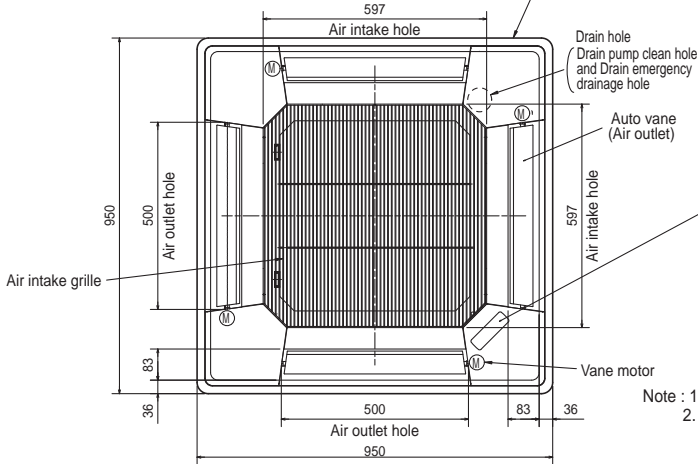
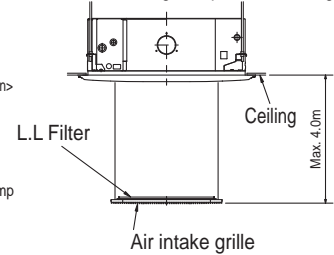
In case of Auto-Grille : PLP-6BAJ

In case of wireless remote controller : PLP-6BALM

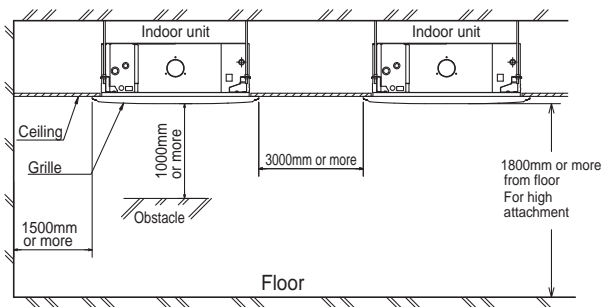
Emergency operation switch<Cooling>and Emergency Up/Down switch<Up>
Emergency operation switch<Heating>and Emergency Up/Down switch<Down>



Auto Grille
Air intake grille up/down discharge



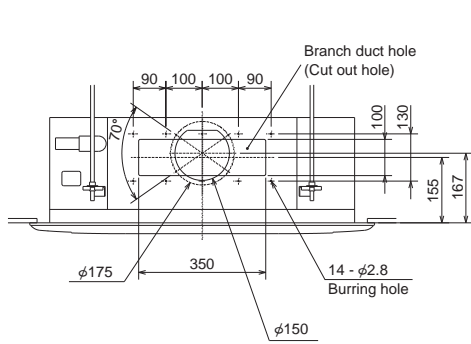
- Note : 1. Please choose the Grille from a standard grille, auto-grille.
2. As for drain pipe, please use VP-25(O.D. φ32 PVC TUBE). Drain pump is included. Max. lifting height is 850mm from the ceiling.
3. As for suspension bolt, please use M10 or W3/8. (Procured at local site)
4. Electrical box may be removed for the service purpose. Make sure to slack the electrical wire little bit for control/ power wires connection.
5. The height of the indoor unit is able to be adjusted with the grille attached.
6. For the installation of the optional high efficiency filter or optional multi-functional casement.
1) Requires E or more space between transom and ceiling for the installation.
2) Add 135 mm to the dimensions * marked on the figure.
3) The optional high efficiency filter becomes optional multi-functional casement and concomitant use.
7. When installing the branch ducts, be sure to insulate adequately. Otherwise condensation and dripping may occur. (It becomes the cause of dew drops/water dew.)
8. As for necessary installation/service space, please refer to the left figure.



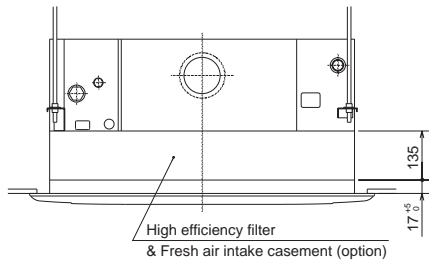
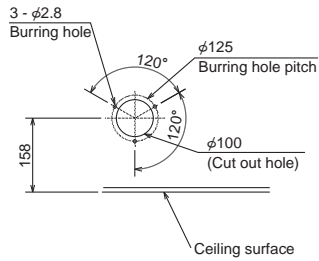
Models	①	②	A	B	C	D	E
PLA-RP35/50BA	Refrigerant pipe ...φ6.35 Flared connection ...1/4 inch	Refrigerant pipe ...φ12.7 Flared connection ...1/2 inch	241	258	80	74	400
PLA-RP60BA	Refrigerant pipe φ6.35 Flared connection 1/4 inch	Refrigerant pipe ...φ15.88 Flared connection ...5/8 inch					
PLA-RP71BA	Refrigerant pipe ...φ9.52 Flared connection ...3/8 inch				85	77	

PLA-RP35AA PLA-RP50AA PLA-RP60AA PLA-RP71AA

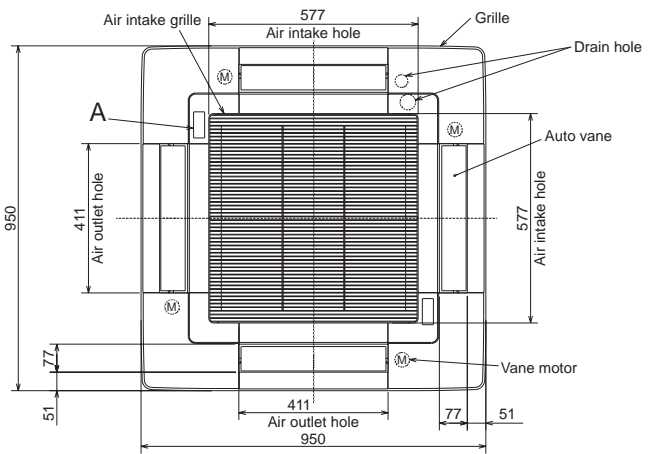
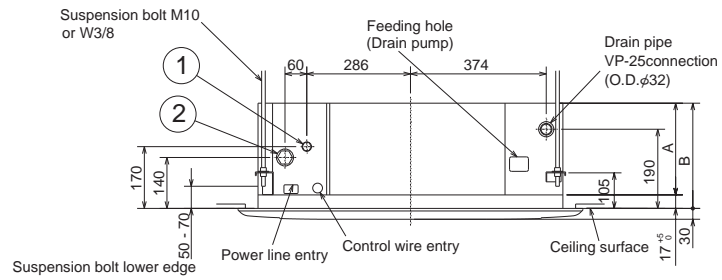
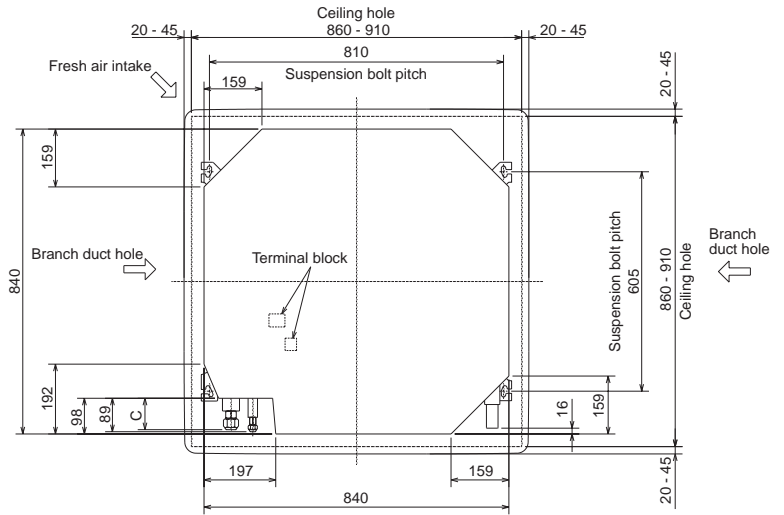
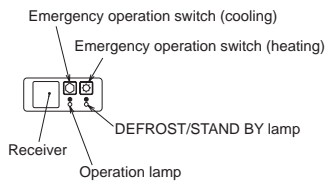
Unit : mm



Detail drawing of fresh air intake



A (WIRELESS PANEL)



Use the current nuts meeting the pipe size of the outdoor unit.
Available pipe size (Unit : mm)

	RP35, 50	RP60	RP71
① LIQUID SIDE	φ6.35 ○	φ6.35	—
	φ9.52	φ9.52 ○	φ9.52 ○
② GAS SIDE	φ12.7 ○	—	—
	φ15.88	φ15.88 ○	φ15.88 ○

○ : Initial flare nut size

(Unit : mm)

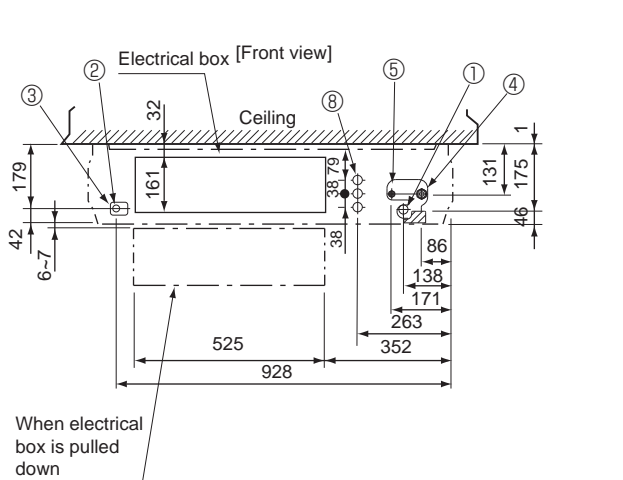
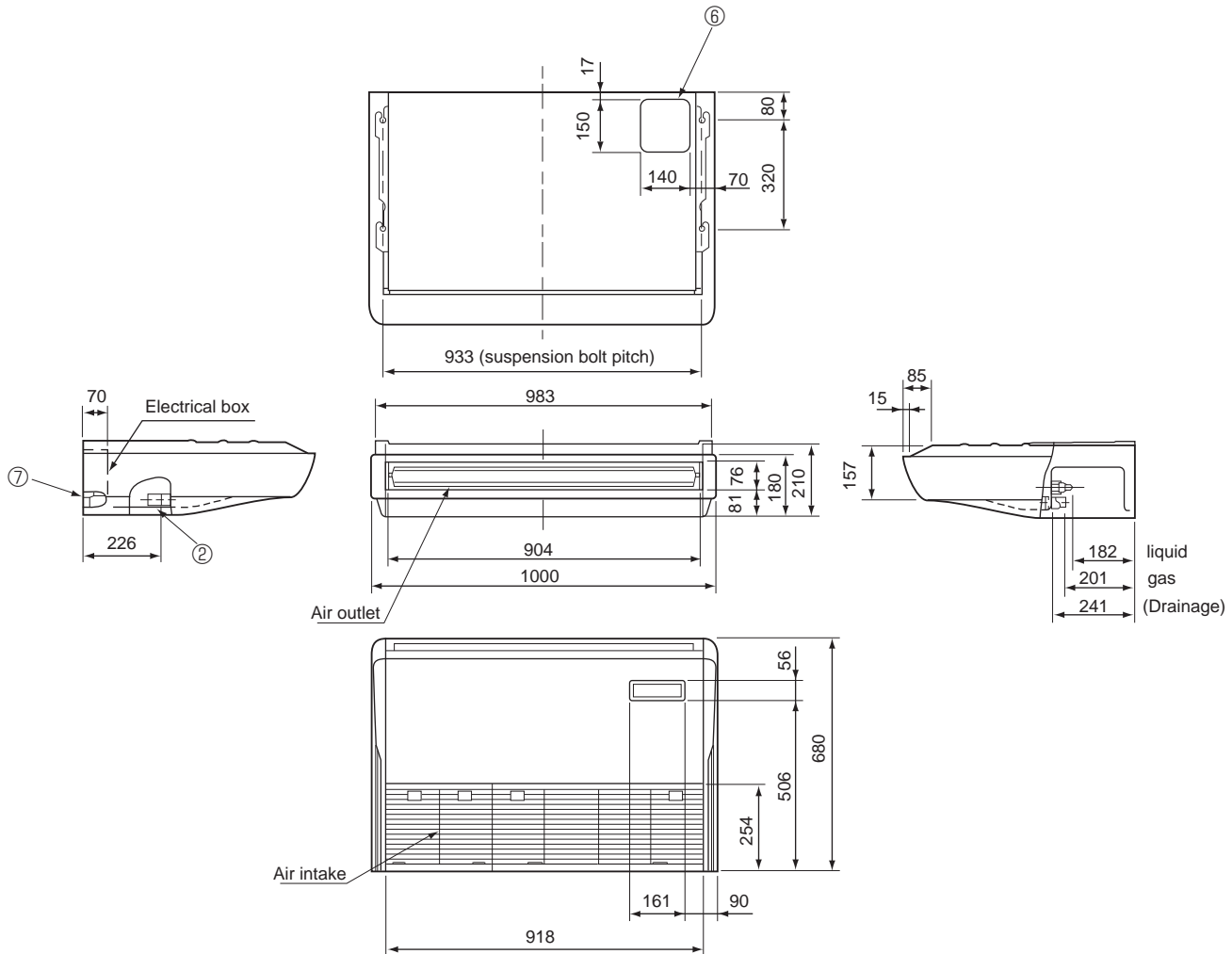
Models	A	B	C
PLA-RP35,50AA	241	258	80
PLA-RP60,71AA			

PCA-RP50GA

Unit : mm

NOTES:

1. Use M10 or W3/8 screws for anchor bolt.
2. When optional drain lift-up mechanism is installed, always provide upward piping for refrigerant piping.



- ① Drainage pipe connection (26mm I.D.)
- ② Drainage pipe connection (for the left arrangement)
- ③ Knock out hole for left drain-piping arrangement
- ④ Refrigerant-pipe connection (gas pipe side/flared connection)
- ⑤ Refrigerant-pipe connection (liquid pipe side/flared connection)
- ⑥ Knockout hole for upper drain pipe arrangement
- ⑦ Knockout hole for left drain pipe arrangement
- ⑧ Knockout hole for wiring arrangement

Use the current nuts meeting the pipe size of the outdoor unit.

Available pipe size (Unit : mm)

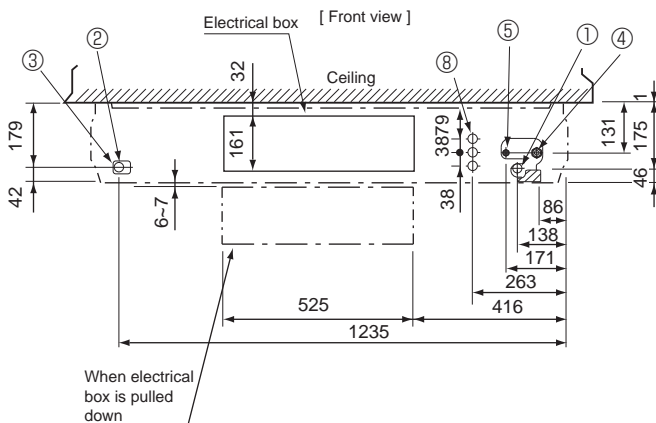
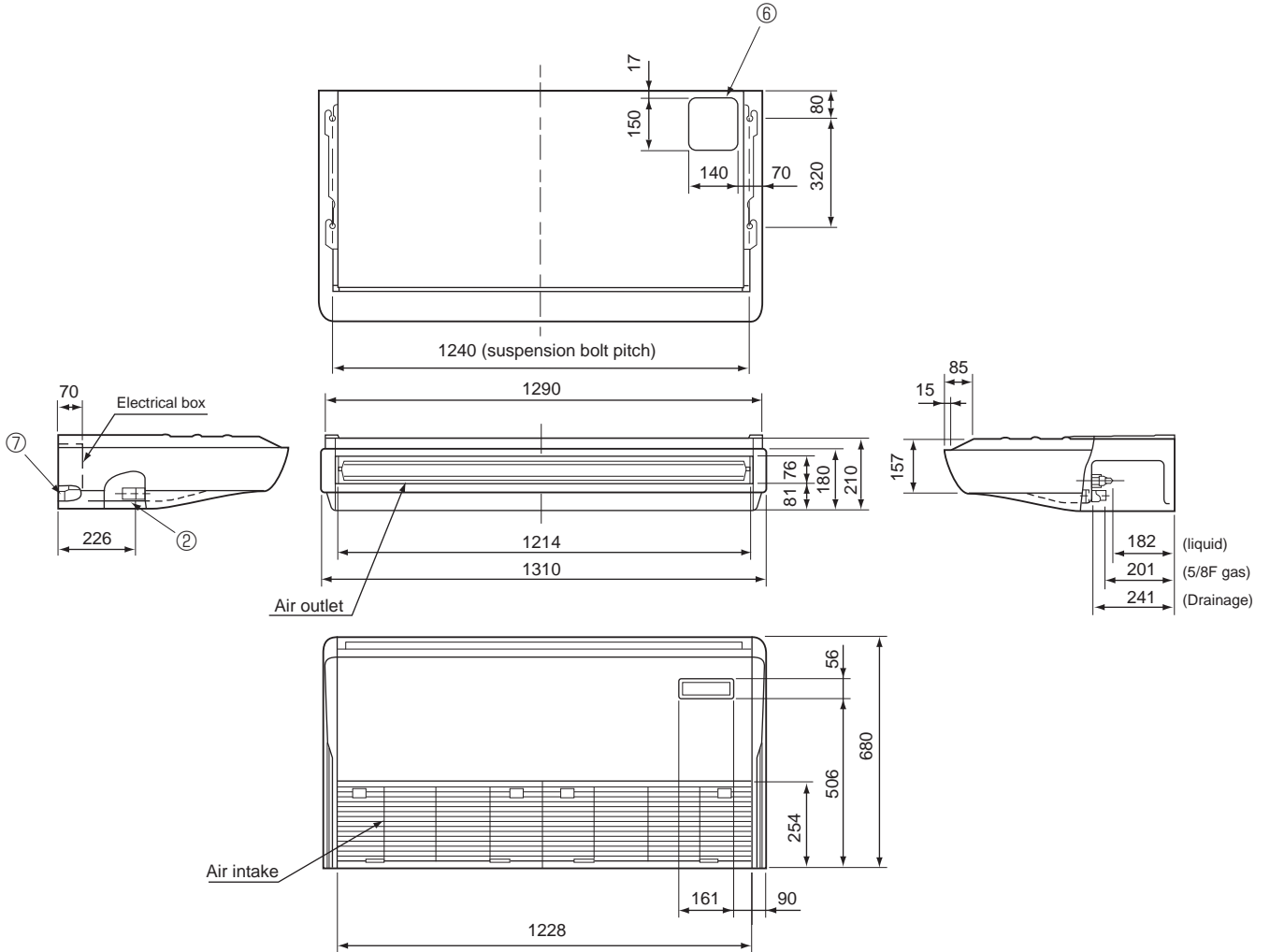
	RP50
⑤ LIQUID SIDE	φ6.35 ○
	φ9.52
④ GAS SIDE	φ12.7 ○
	φ15.88

○ : Initial flare nut size

**PCA-RP50GA2
PCA-RP60GA
PCA-RP71GA**

Unit : mm

- NOTES:**
 1. Use M10 or W3/8 screws for anchor bolt.
 2. When optional drain lift-up mechanism is installed, always provide upward piping for refrigerant piping.



- ① Drainage pipe connection (26mm I.D.)
- ② Drainage pipe connection (for the left arrangement)
- ③ Knock out hole for left drain-piping arrangement
- ④ Refrigerant-pipe connection (gas pipe side/flared connection)
- ⑤ Refrigerant-pipe connection (liquid pipe side/flared connection)
- ⑥ Knockout hole for upper drain pipe arrangement
- ⑦ Knockout hole for left drain pipe arrangement
- ⑧ Knockout hole for wiring arrangement

Use the current nuts meeting the pipe size of the outdoor unit.

Available pipe size (Unit : mm)

	RP50	RP60	RP71
⑤ LIQUID SIDE	φ6.35 ○	φ6.35	—
	φ9.52	φ9.52 ○	φ9.52 ○
④ GAS SIDE	φ12.7 ○	—	—
	φ15.88	φ15.88 ○	φ15.88 ○
	—	—	—

○ : Initial flare nut size

PEAD-RP35EA2
PEAD-RP50EA
PEAD-RP60EA

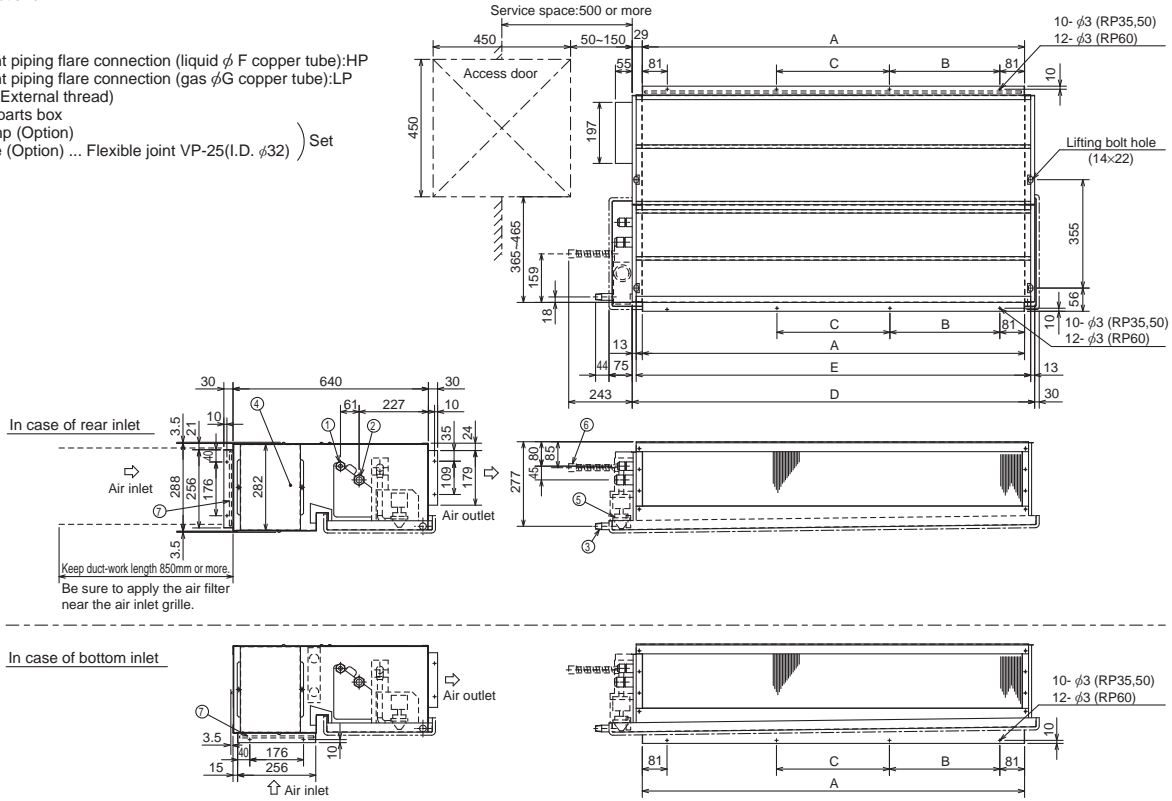
Unit : mm

(Unit : mm)

Model	A	B	C	D	E	F	G
RP35,50	772	305	-	830	804	R410A Outdoor unit : 6.35 * R407C Outdoor unit : 9.52	R410A Outdoor unit : 12.7 * R407C Outdoor unit : 15.88
RP60	1012	280	290	1070	1044	Outdoor unit (SUZ) : 6.35 R407C Outdoor unit : 9.52 *	15.88

* Initial flare nut size

- ① Refrigerant piping flare connection (liquid ϕ F copper tube):HP
- ② Refrigerant piping flare connection (gas ϕ G copper tube):LP
- ③ Drain R1(External thread)
- ④ Electrical parts box
- ⑤ Drain Pump (Option)
- ⑥ Drain Pipe (Option) ... Flexible joint VP-25(I.D. ϕ 32)) Set
- ⑦ Filter



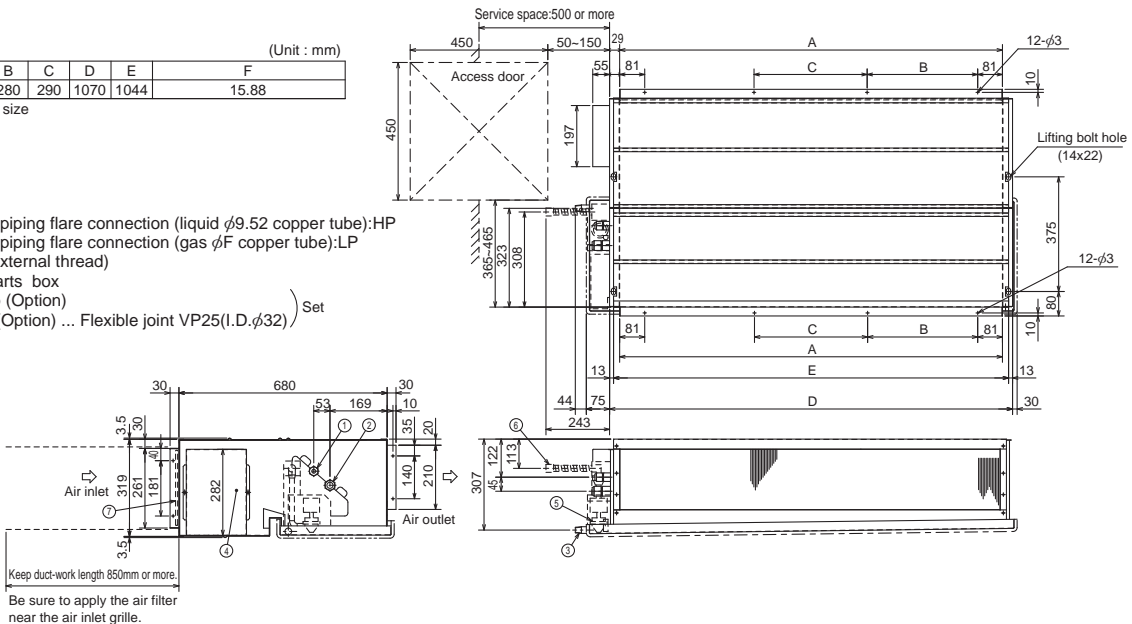
PEAD-RP71EA

(Unit : mm)

Model	A	B	C	D	E	F
RP71	1012	280	290	1070	1044	15.88

* Initial flare nut size

- ① Refrigerant piping flare connection (liquid ϕ 9.52 copper tube):HP
- ② Refrigerant piping flare connection (gas ϕ F copper tube):LP
- ③ Drain R1 (External thread)
- ④ Electrical parts box
- ⑤ Drain Pump (Option)
- ⑥ Drain Pipe (Option) ... Flexible joint VP25(I.D. ϕ 32)) Set
- ⑦ Filter

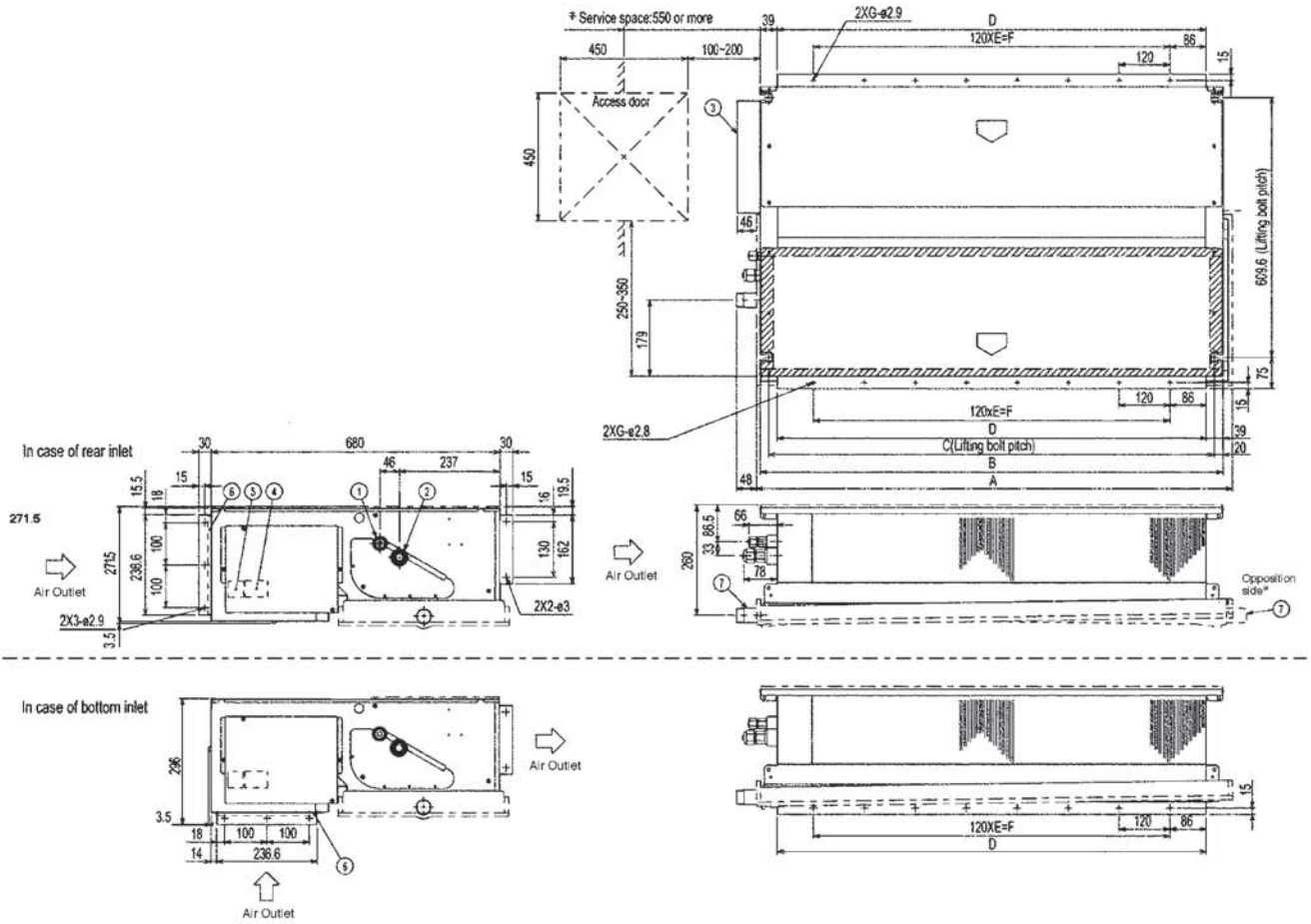


PEAD-RP60GA
PEAD-RP71GA

Unit : mm

- ① Refrigerant piping flare connection(liquid øH copper tube): HP
- ② Refrigerant piping flare connection(gas ø J copper tube): LP
- ③ Electrical parts box *
- ④ Terminal bed : Power source
- ⑤ Terminal bed : Remote control
- ⑥ Filter
- ⑦ Drain pan (R1 External thread: ø34) (*;Fixable to opposition side.)

* NOTE: IT IS NECESSARY TO REMOVE THE CEILING PARTS OR TO KEEP THE MAINTENANCE HOLE OF OVER UNIT SIZE WHEN YOU HAVE A MAINTENANCE OR SERVICE THE FOLLOWING PARTS.
 SERVICE: MOTOR,SIROCCO FAN,HEAT EXCHANGER,DRAIN PAN.
 (EXCHANGE) FILTER(IN CASE OF INDOOR UNIT HAVE INLET DUCT.)
 MAINTENANCE: HEAT EXCHANGER,DRAIN PAN(SURFACE WASHING).
 (WASHING) FILTER(IN CASE OF INDOOR UNIT HAVE INLET DUCT.)



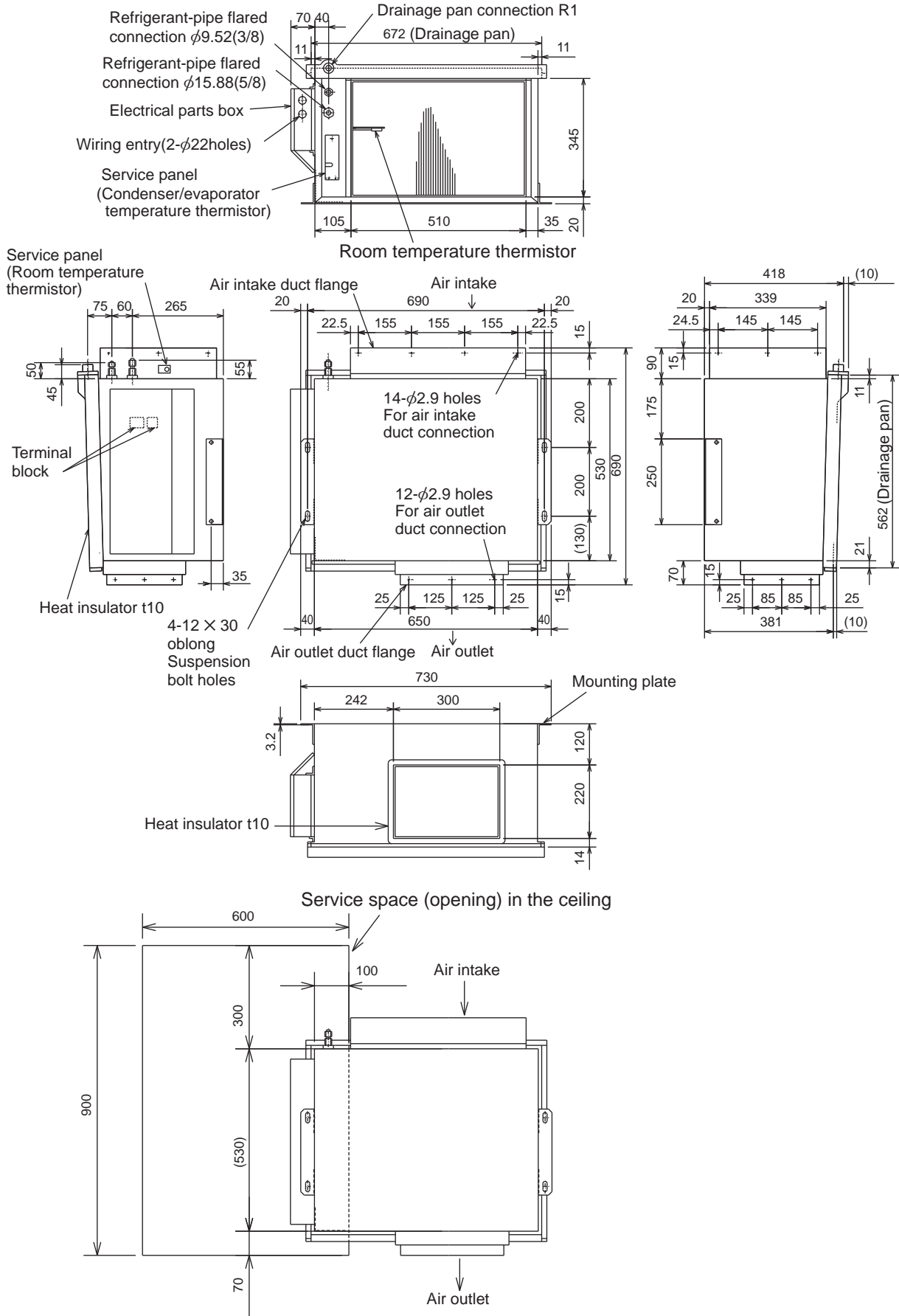
(Unit : mm)

Model	A	B	C	D	E	F	G	H	J
RP60	1125	1090	1050	1012	7	840	8	Outdoor unit(SUZ) : 6.35 Other outdoor unit : 9.52 *	15.88
RP71	1125	1090	1050	1012	7	840	8	9.52	15.88

* Initial flare nut size

PEA-RP71EA

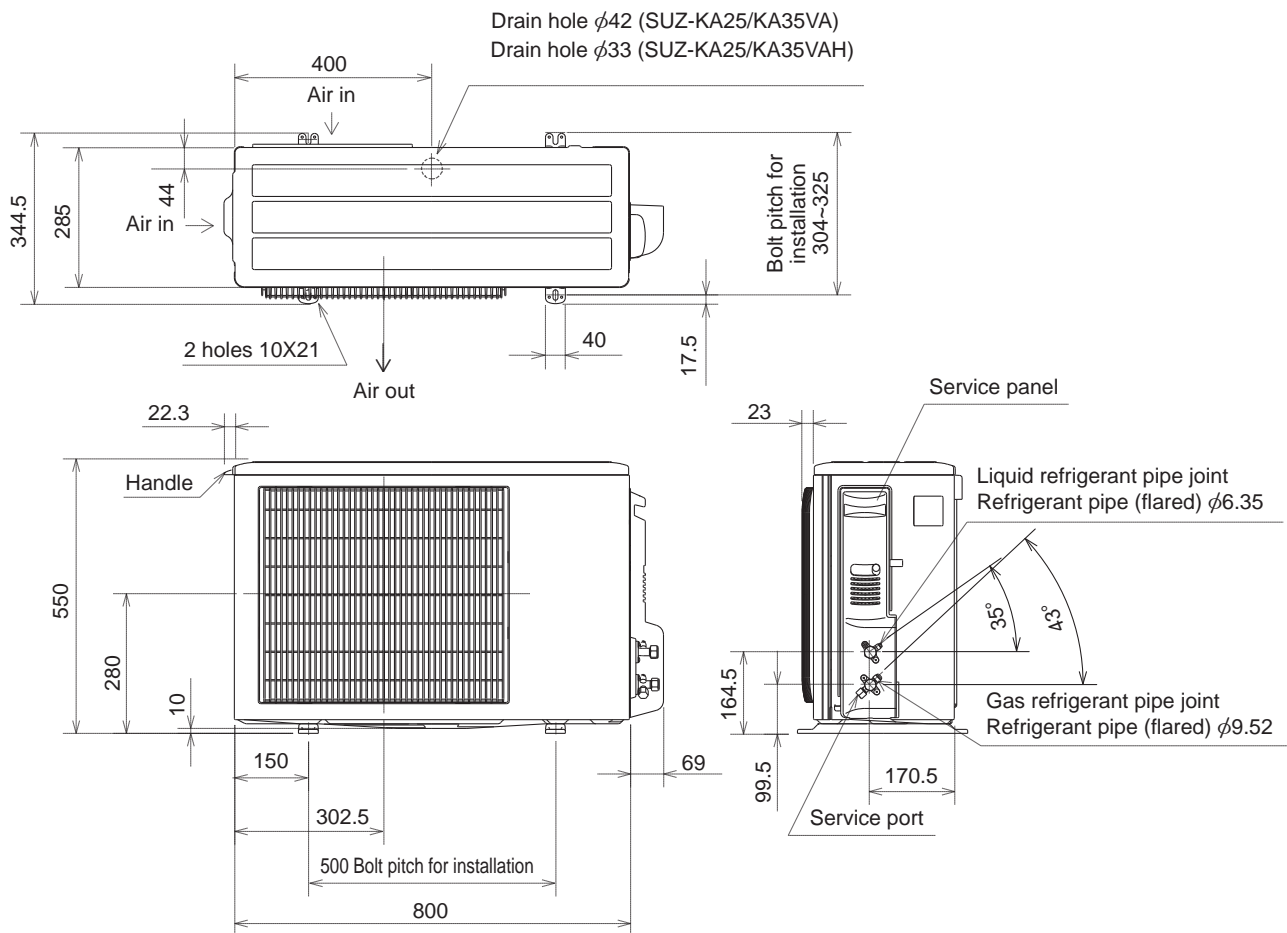
Unit : mm



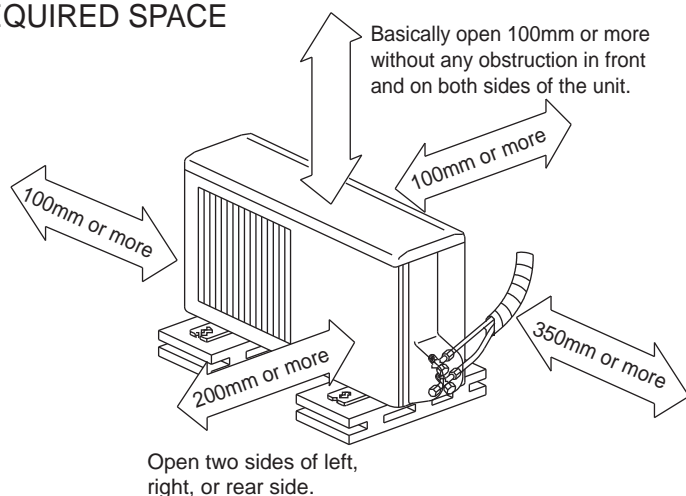
OUTDOOR UNIT

Unit: mm

SUZ-KA25VA SUZ-KA25VAH
SUZ-KA35VA SUZ-KA35VAH

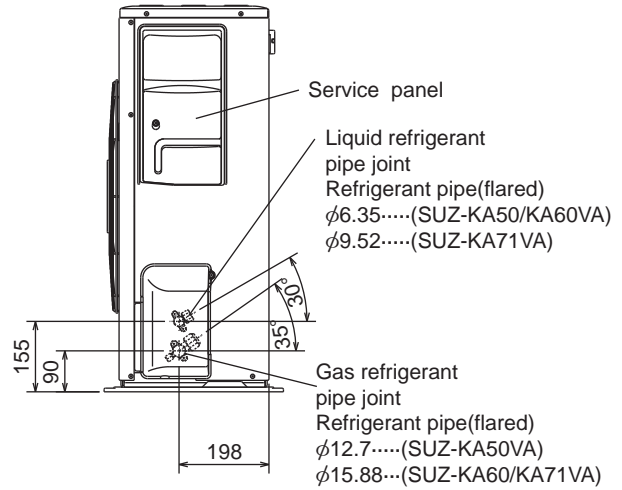
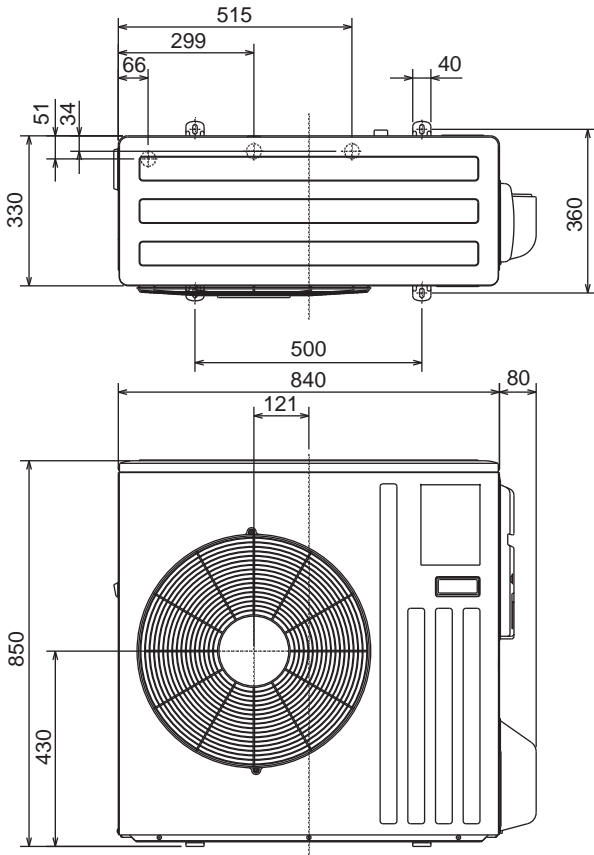


REQUIRED SPACE

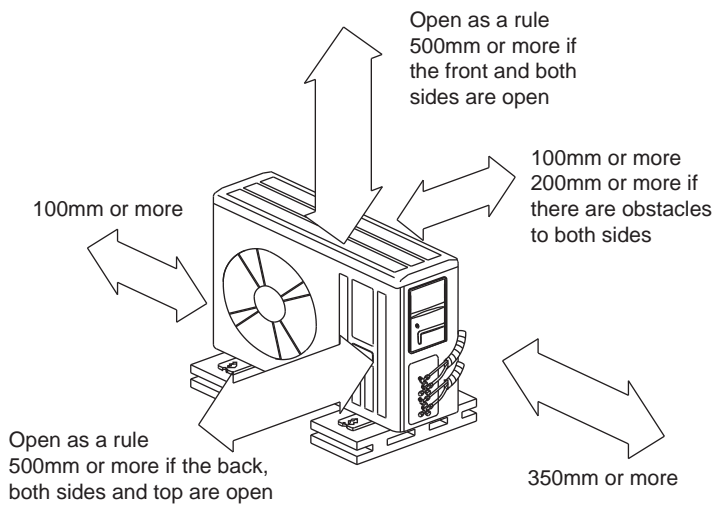


**SUZ-KA50VA
SUZ-KA60VA
SUZ-KA71VA**

Unit: mm



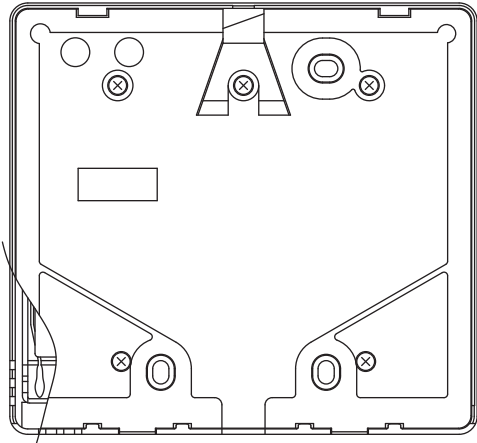
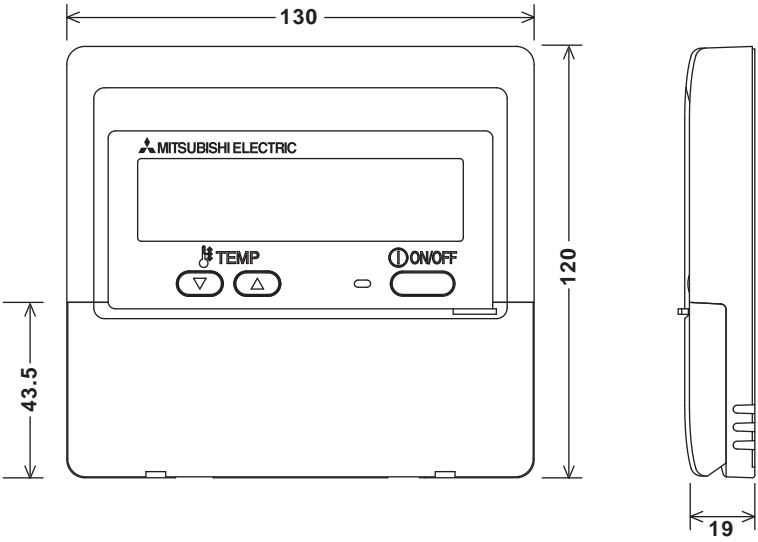
REQUIRED SPACE





WIRED REMOTE CONTROLLER

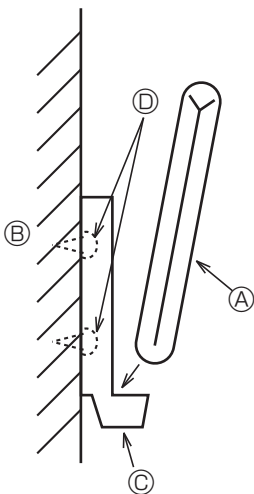
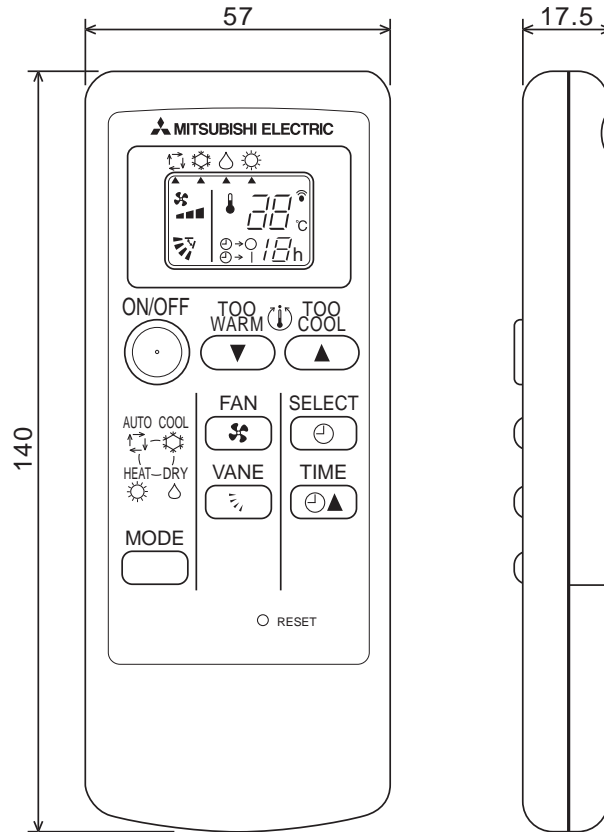
Unit : mm



WIRELESS REMOTE CONTROLLER

Unit : mm

SLZ-KA25/35/50VAL SEZ-KC25,KA35/50/60/71VA(Option)



Installation area

- Area in which the remote controller is not exposed to direct sunshine
- Area in which there is no heating source nearby
- Area in which the remote controller is not exposed to cold (or warm) winds
- Area in which the remote controller can be operated easily
- Area in which the remote controller is beyond the reach of children

Installation method

- ① Attach the remote controller holder to the desired location using two tapping screws.
- ② Place the lower end of the controller into the holder.

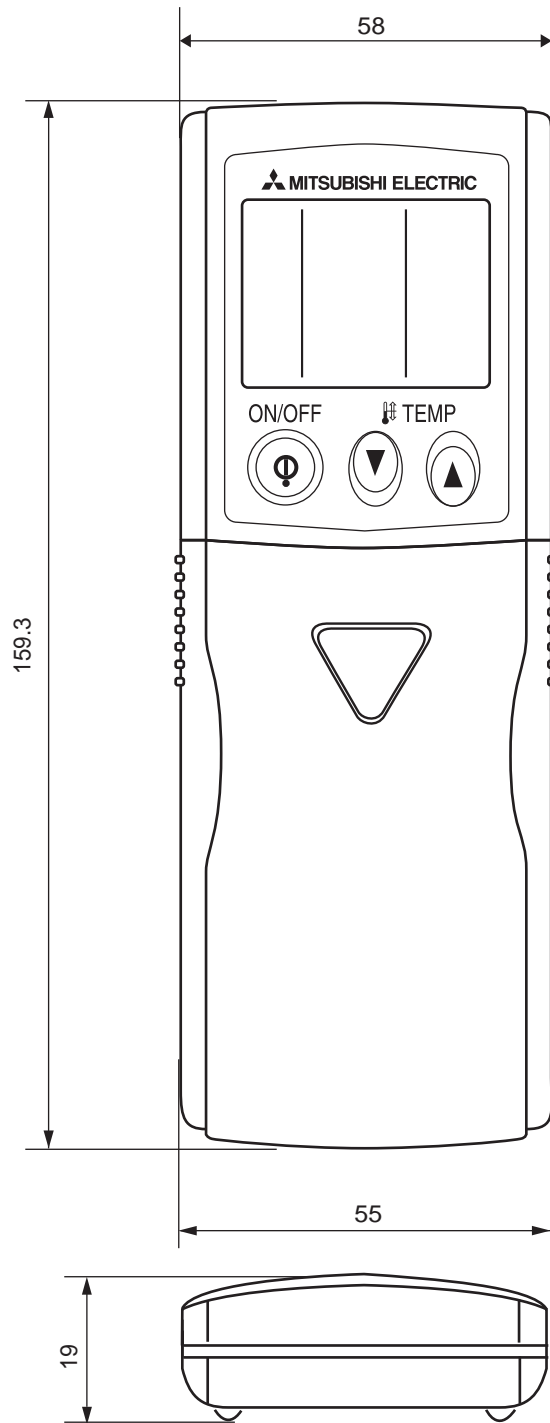
- Ⓐ Wireless remote controller (Accessory)
- Ⓑ Wall
- Ⓒ Remote controller holder (Accessory)
- Ⓓ Fixing screw (Accessory)

- The signal can travel up to approximately 7 meters (in a straight line) within 45 degrees to both right and left of the center line of the receiver.
In addition, the signal may not be received if there are interferences of fluorescent lights or strong sunlight.



WIRELESS REMOTE CONTROLLER

Unit : mm

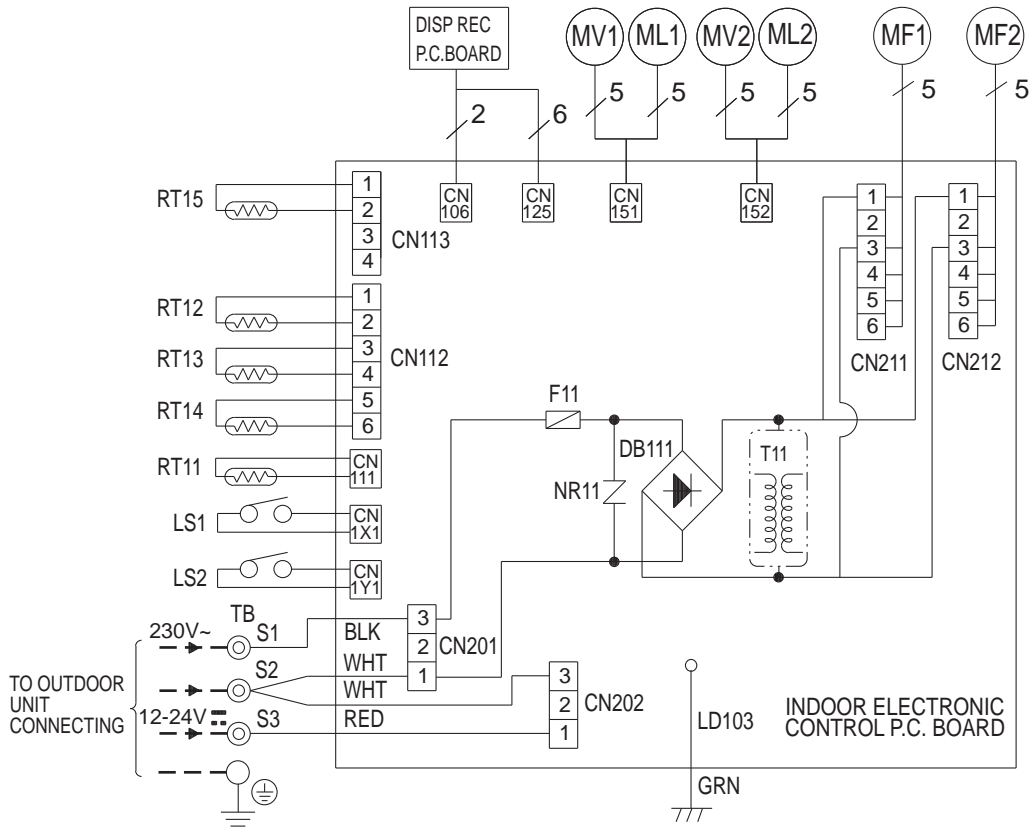


4

WIRING DIAGRAM

MFZ-KA25VA
MFZ-KA35VA
MFZ-KA50VA

INDOOR UNIT

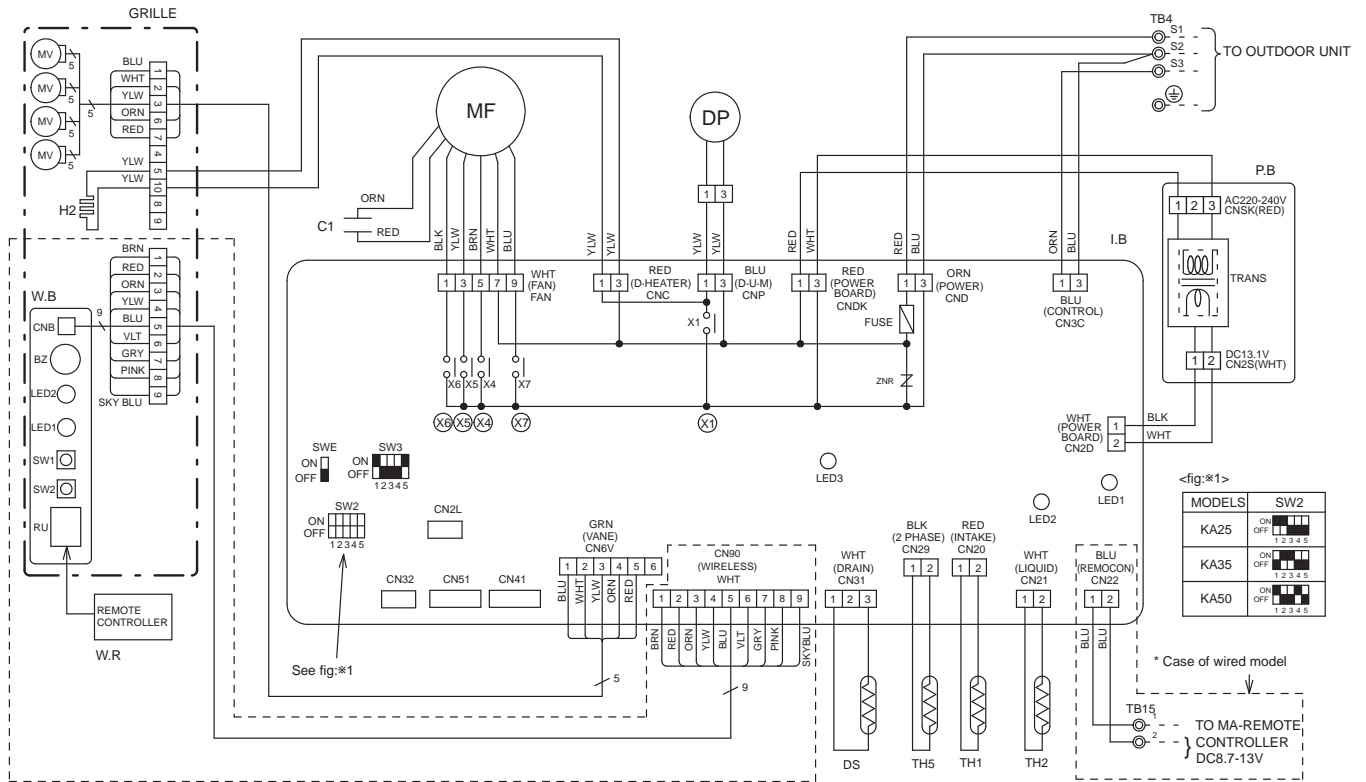


[LEGEND]

SYMBOL	NAME	SYMBOL	NAME	SYMBOL	NAME
DB111	DIODE STACK	ML2	DAMPER LOCK MOTOR (LEFT)	RT14	INDOOR COIL THERMISTOR (MAIN 2)
F11	FUSE (T3.15AL250V)	MV1	HORIZONTAL VANE MOTOR	TR15	INDOOR COIL THERMISTOR (MAIN 3)
LS1	DAMPER LIMIT SWITCH (OPEN)	MV2	DAMPER MOTOR	T11	TRANSFORMER
LS2	DAMPER LIMIT SWITCH (CLOSE)	NR11	VARISTOR		
MF1	UPPER INDOOR FAN MOTOR	RT11	ROOM TEMPERATURE THERMISTOR		
MF2	LOWER INDOOR FAN MOTOR	RT12	INDOOR COIL THERMISTOR (MAIN 1)		
ML1	DAMPER LOCK MOTOR (RIGHT)	RT13	INDOOR COIL THERMISTOR (SUB)		

NOTE: 1. About the outdoor side electric wiring, refer to the outdoor unit electric wiring diagram for servicing.
 2. Use copper conductors only. (For field wiring)
 3. Symbols below indicate :
 ⊙: Terminal block, □□□□: Connector

SLZ-KA25VAL SLZ-KA25VA
SLZ-KA35VAL SLZ-KA35VA
SLZ-KA50VAL SLZ-KA50VA

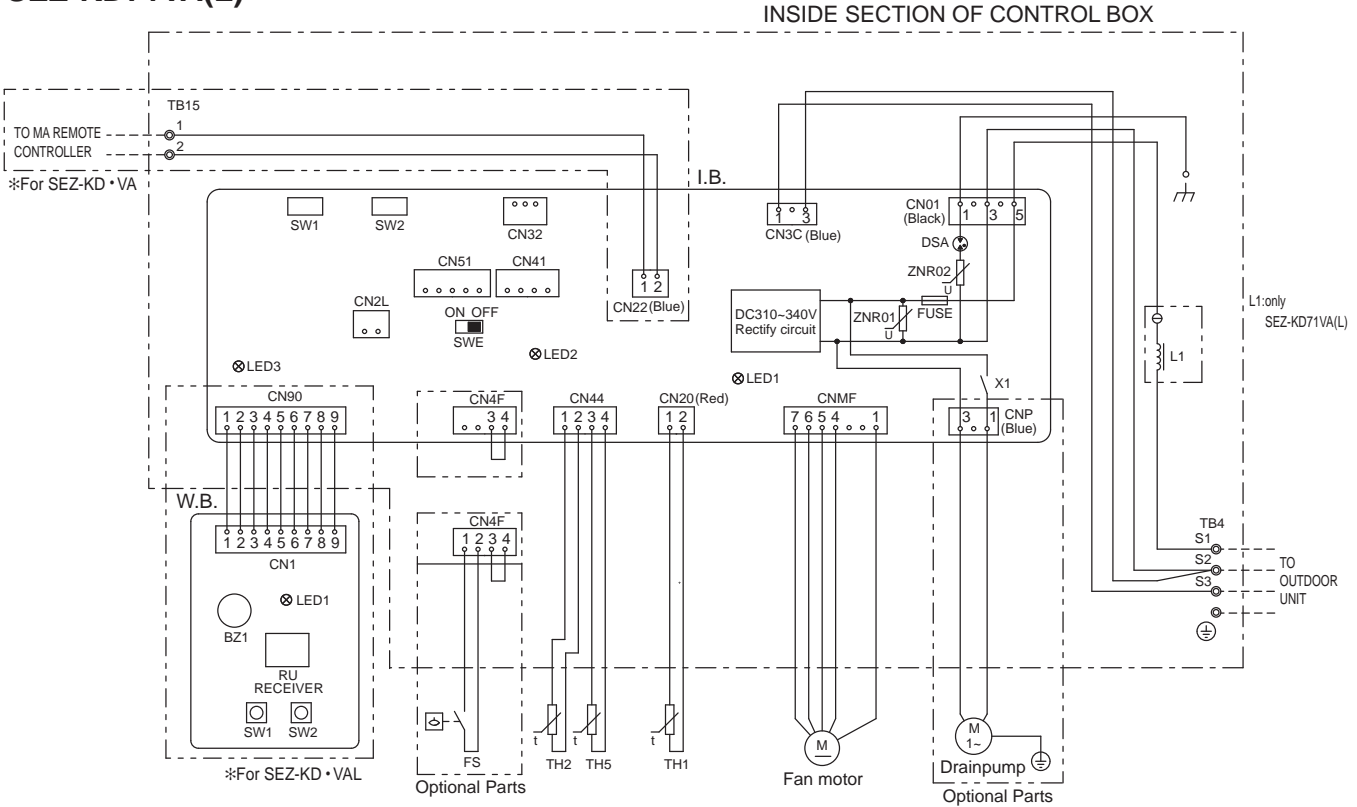


[LEGEND]

SYMBOL	NAME	SYMBOL	NAME
P.B	INDOOR POWER BOARD	W.B	WIRELESS REMOTE CONTROLLER BOARD
I.B	INDOOR CONTROLLER BOARD	RU	RECEIVING UNIT
CN2L	CONNECTOR(LOSSNAY)	BZ	BUZZER
CN32	CONNECTOR(REMOTE SWITCH)	LED1	LED(RUN INDICATOR)
CN41	CONNECTOR(HA TERMINAL-A)	LED2	LED(HOT ADJUST)
CN51	CENTRALLY CONTROL	SW1	SWITCH(HEATING ON/OFF)
FUSE	FUSE(T6.3AL250V)	SW2	SWITCH(COOLING ON/OFF)
LED1	POWER SUPPLY(I.B)	C1	CAPACITOR(FAN MOTOR)
LED2	POWER SUPPLY(I.B)	DP	DRAIN-UP MACHINE
LED3	TRANSMISSION(INDOOR-OUTDOOR)	DS	DRAIN SENSOR
SW2	SWITCH(CAPACITY CODE)	H2	DEW PREVENTION HEATER
SW3	SWITCH(MODE SELECTION)	MF	FAN MOTOR
SWE	SWITCH(EMERGENCY OPERATION)	TB4	TERMINAL BLOCK(INDOOR/OUTDOOR CONNECTING LINE)
X1	DRAIN PUMP/DEW PREVENTION HEATER	TB15	TERMINAL BLOCK(REMOTE CONTROLLER TRANSMISSION LINE)
X4	RELAY(FAN MOTOR LL)	TH1	ROOM TEMP.THERMISTOR (0°C/15kΩ, 25°C/5.4kΩ DETECT)
X5	RELAY(FAN MOTOR Lo)	TH2	PIPE TEMP.THERMISTOR/LIQUID (0°C/15kΩ, 25°C/5.4kΩ DETECT)
X6	RELAY(FAN MOTOR Hi)	TH5	COND./EVA.TEMP.THERMISTOR (0°C/15kΩ, 25°C/5.4kΩ DETECT)
X7	RELAY(FAN MOTOR Me)		
ZNR	VARIATOR		

- Notes:**
1. Symbols used in wiring diagram above are, □ : Connector, ⊙ : Terminal (block).
 2. Indoor and outdoor connecting wires have polarities, make sure to match terminal numbers (S1, S2, S3) for correct wirings.
 3. Since the outdoor side electric wiring may change, be sure to check the outdoor unit electric wiring diagram for servicing.
- * For details on how to operate self-diagnosis, refer to the service manuals etc.

SEZ-KD25VA(L)
SEZ-KD35VA(L)
SEZ-KD50VA(L)
SEZ-KD60VA(L)
SEZ-KD71VA(L)

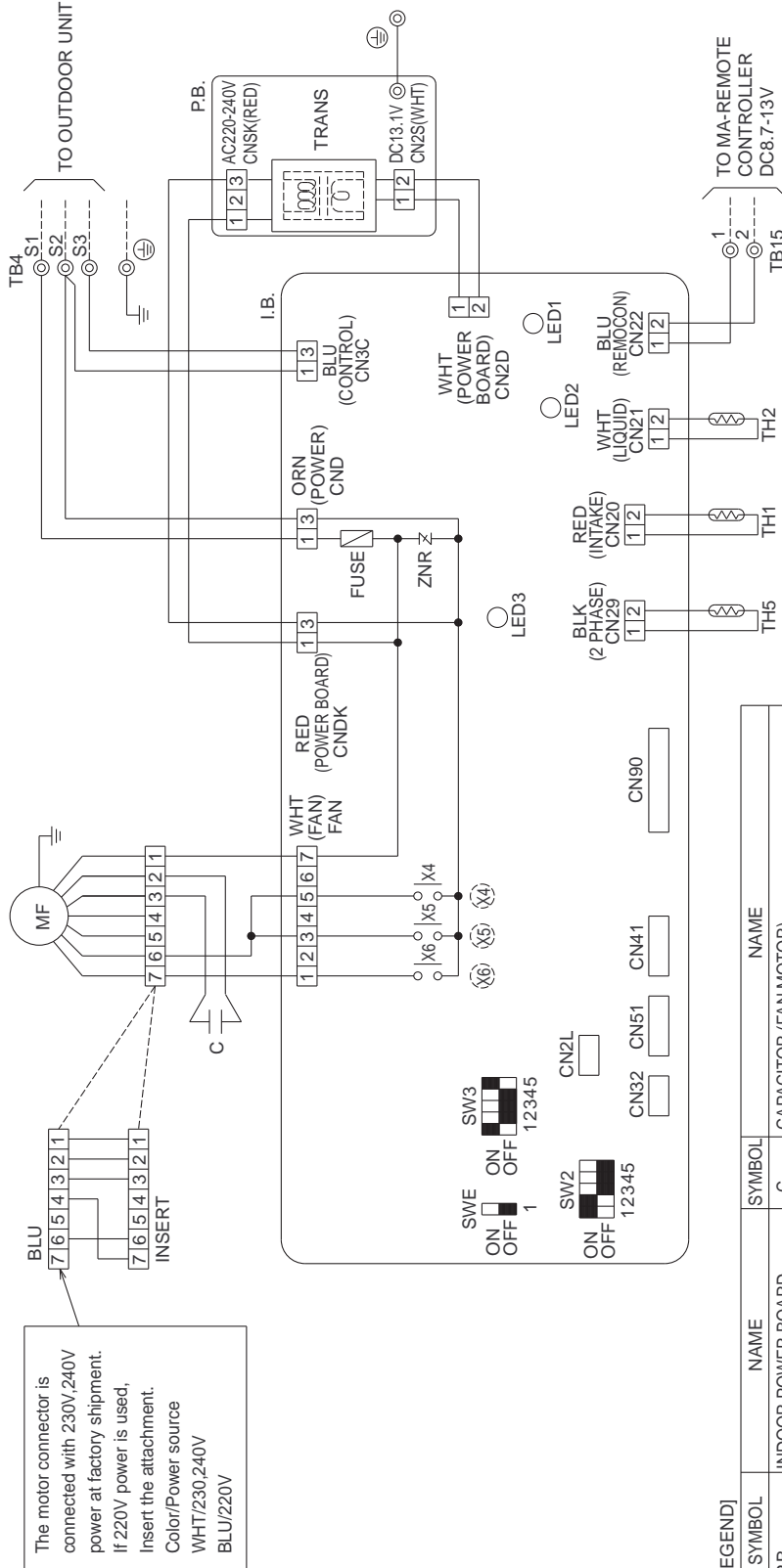


SYMBOL EXPLANATION

SYMBOL	NAME	SYMBOL	NAME
I.B.	INDOOR CONTROLLER BOARD	W.B.	WIRELESS REMOTE CONTROLLER BOARD
FUSE	FUSE AC250V 6.3A	RU	RECEIVING UNIT
ZNR01,02	VARISTOR	BZ1	BUZZER
DSA	ARRESTER	LED1	LED (RUN INDICATOR)
X1	AUX. RELAY	SW1	SWITCH (HEATING ON/OFF)
CN2L	CONNECTOR (LOSSNAY)	SW2	SWITCH (COOLING ON/OFF)
CN32	CONNECTOR (REMOTE SWITCH)	TH1	INTAKE AIR TEMP. THERMISTOR
CN41	CONNECTOR (HA TERMINAL-A)	TH2	PIPE TEMP. THERMISTOR/LIQUID
CN51	CONNECTOR (CENTRALLY CONTROL)	TH5	COND. /EVA. TEMP. THERMISTOR
LED1	POWER SUPPLY(I.B.)	L1	AC REACTOR(POWER FACTOR IMPROVEMENT)
LED2	POWER SUPPLY(I.B.)	FS	FLOAT SWITCH
LED3	TRANSMISSION(INDOOR-OUTDOOR)	TB4	TERMINAL BLOCK (INDOOR/OUTDOOR CONNECTING LINE)
SW1	SWITCH (FOR MODE SELECTION)	TB15	TERMINAL BLOCK (REMOTE CONTROLLER TRANSMISSION LINE)
SW2	SWITCH (FOR CAPACITY CODE)		
SWE	CONNECTOR (EMERGENCY OPERATION)		

- NOTE) 1. Since the outdoor side electric wiring may change, be sure to check the outdoor unit electric wiring diagram for servicing.
 2. Indoor and outdoor connecting wires have polarities, make sure to match terminal numbers(S1,S2,S3) for correct wirings.
 3. Symbols used in wiring diagram above are,
 ⊕:Connector, ⊙:Terminal Block.

SEZ-KC25VA

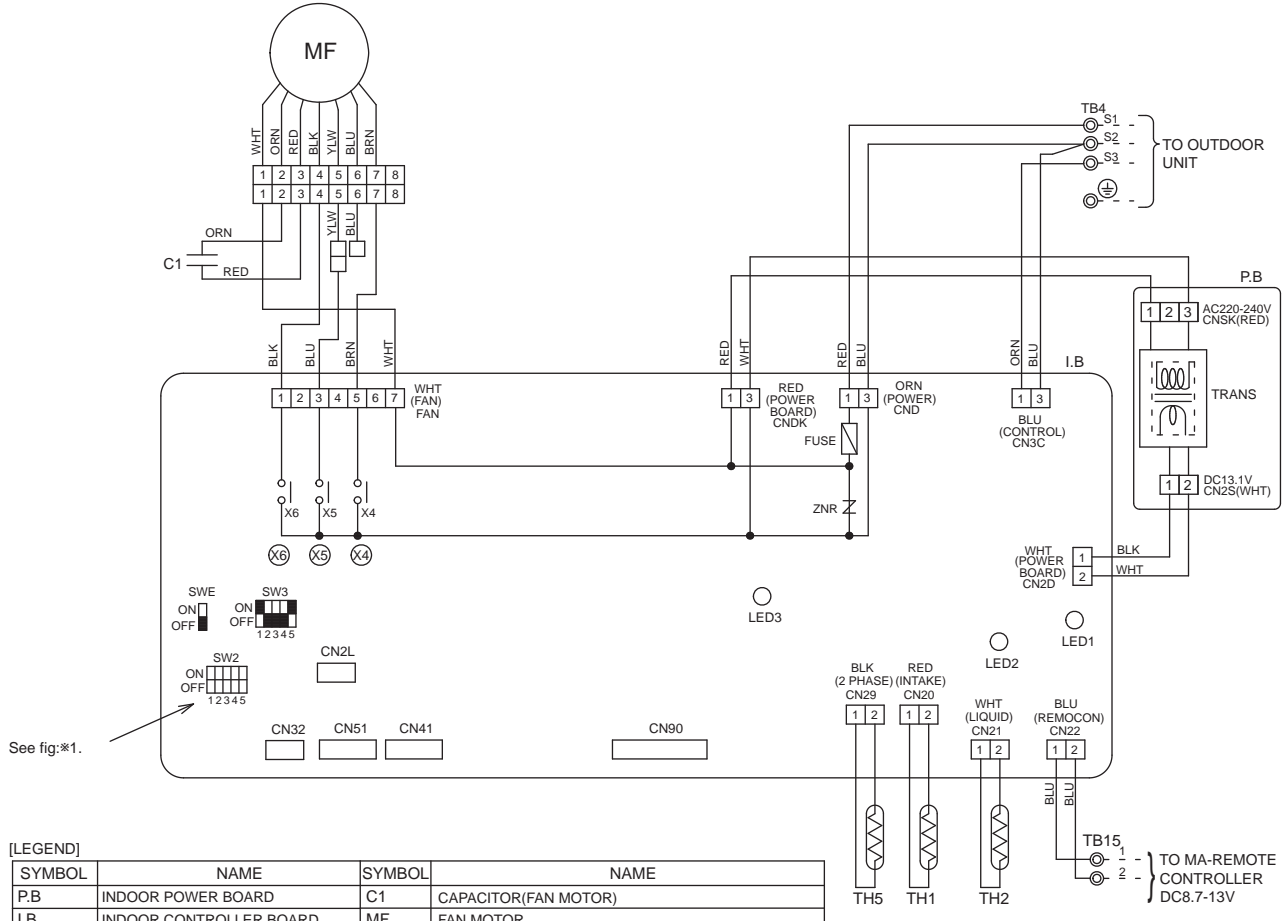


NOTE:

1. Since the outdoor side electric wiring may change, be sure to check the outdoor unit electric wiring diagram for servicing.
2. Indoor and outdoor connecting wires have polarities, make sure to match terminal numbers (S1, S2, S3) for correct wirings.
3. Symbols used in wiring diagram above are, : Terminal (block), : Connector, : Terminal (block).
4. The wiring between MA-REMOTE CONTROLLER and TB15 is included in the package.

SYMBOL	NAME	SYMBOL	NAME
P.B.	INDOOR POWER BOARD	C	CAPACITOR (FAN MOTOR)
I.B.	INDOOR CONTROLLER BOARD	MF	FAN MOTOR
	CN2L CONNECTOR (LOSSNAY)	TB4	TERMINAL BLOCK (INDOOR/OUTDOOR CONNECTING LINE)
	CN32 CONNECTOR (REMOTE SWITCH)	TB15	TERMINAL BLOCK (REMOTE CONTROLLER TRANSMISSION LINE)
	CN41 CONNECTOR (HA TERMINAL-A)	TH1	INTAKE AIR TEMP. THERMISTOR (0°C/15kΩ, 25°C/5.2kΩ DETECT)
	CN51 CENTRALLY CONTROL	TH2	PIPE TEMP. THERMISTOR/LIQUID (0°C/15kΩ, 25°C/5.2kΩ DETECT)
	CN90 CONNECTOR (WIRELESS)	TH5	COND./EVA. TEMP. THERMISTOR (0°C/15kΩ, 25°C/5.2kΩ DETECT)
	FUSE FUSE (6.3A)		
	LED1 POWER SUPPLY (I.B.)		
	LED2 POWER SUPPLY (I.B.)		
	LED3 TRANSMISSION (INDOOR-OUTDOOR)		
	SW2 SWITCH (CAPACITY CODE)		
	SW3 SWITCH (MODE SELECTION)		
	SWE SWITCH (EMERGENCY OPERATION)		
	X4 RELAY (FAN MOTOR LL)		
	X5 RELAY (FAN MOTOR Lo)		
	X6 RELAY (FAN MOTOR HI)		
	ZNR VARISTOR		

SEZ-KA35VA
SEZ-KA50VA
SEZ-KA60VA
SEZ-KA71VA



See fig.*1.

[LEGEND]

SYMBOL	NAME	SYMBOL	NAME
P.B	INDOOR POWER BOARD	C1	CAPACITOR(FAN MOTOR)
I.B	INDOOR CONTROLLER BOARD	MF	FAN MOTOR
CN2L	CONNECTOR(LOSSNAY)	TB4	TERMINAL BLOCK(INDOOR/OUTDOOR CONNECTING LINE)
CN32	CONNECTOR(REMOTE SWITCH)	TB15	TERMINAL BLOCK(REMOTE CONTROLLER TRANSMISSION LINE)
CN41	CONNECTOR(HA TERMINAL-A)	TH1	ROOM TEMP.THERMISTOR (0°C/15kΩ,25°C/5.4kΩ DETECT)
CN51	CENTRALLY CONTROL	TH2	PIPE TEMP.THERMISTOR/LIQUID (0°C/15kΩ,25°C/5.4kΩ DETECT)
CN90	CONNECTOR(WIRELESS)	TH5	COND./EVA.TEMP.THERMISTOR (0°C/15kΩ,25°C/5.4kΩ DETECT)
FUSE	FUSE(T6.3AL250V)		
LED1	POWER SUPPLY(I.B)		
LED2	POWER SUPPLY(I.B)		
LED3	TRANSMISSION(INDOOR-OUTDOOR)		
SW2	SWITCH(CAPACITY CODE)		
SW3	SWITCH(MODE SELECTION)		
SWE	SWITCH(EMERGENCY OPERATION)		
X4	RELAY(FAN MOTOR LL)		
X5	RELAY(FAN MOTOR Lo)		
X6	RELAY(FAN MOTOR Hi)		
ZNR	VARIATOR		

<fig.*1>

MODELS	SW2
KA35	ON OFF 1 2 3 4 5
KA50	ON OFF 1 2 3 4 5
KA60	ON OFF 1 2 3 4 5
KA71	ON OFF 1 2 3 4 5

Notes:

1. Symbols used in wiring diagram above are, □ : Connector, ⊙ : Terminal (block).
2. Indoor and outdoor connecting wires have polarities, make sure to match terminal numbers (S1, S2, S3) for correct wirings.
3. Since the outdoor side electric wiring may change, be sure to check the outdoor unit electric wiring diagram for servicing.
4. Since the indoor fan motor(MF) is connected with 50Hz power, if 60Hz power is used, change the wiring connection shown in fig.*2.

<fig.*2>



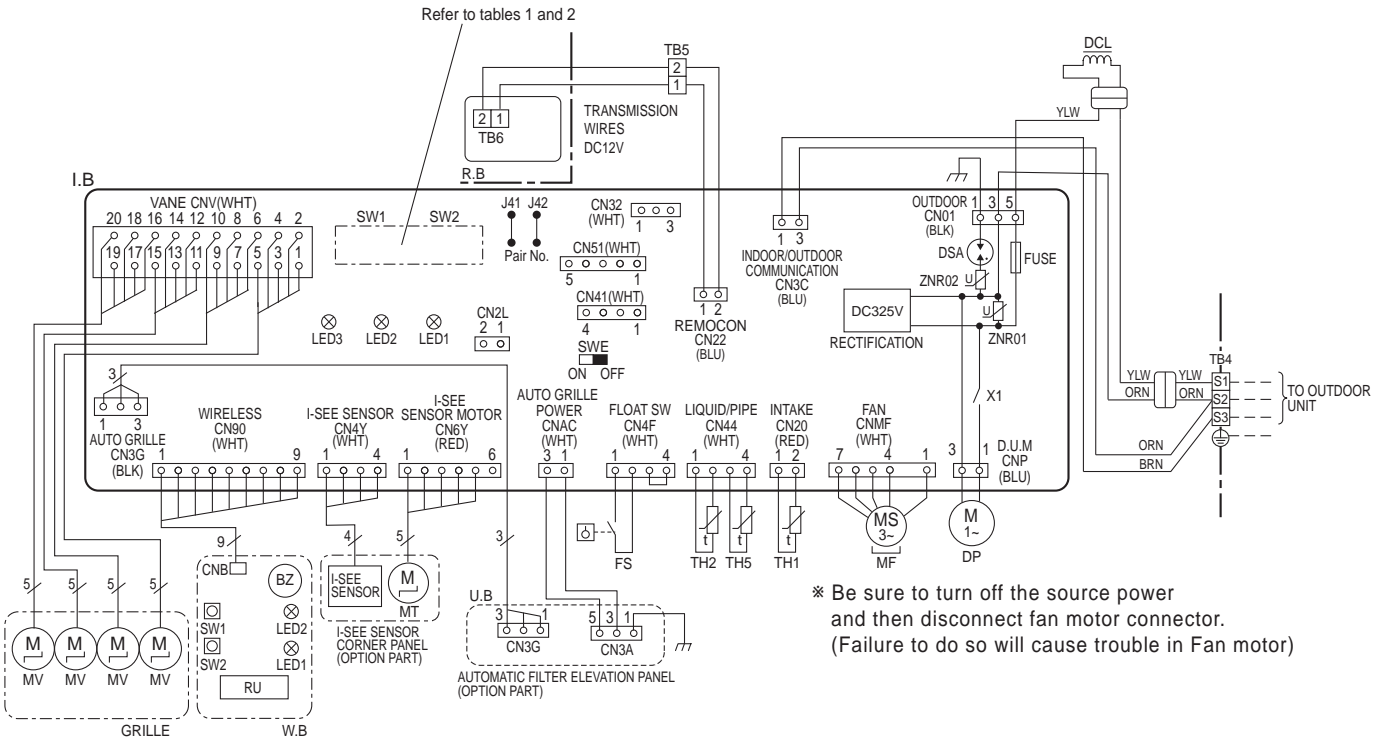
*For details on how to operate self-diagnosis, refer to the service manuals etc.

PLA-RP35BA PLA-RP50BA PLA-RP60BA PLA-RP71BA

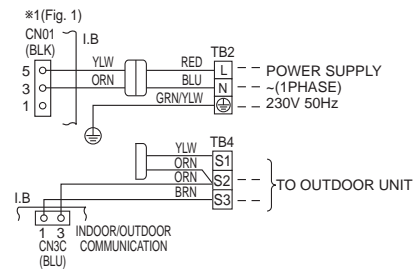
[LEGEND]

SYMBOL	NAME	SYMBOL	NAME	SYMBOL	NAME
I.B	INDOOR CONTROLLER BOARD	DCL	REACTOR	OPTION PART	
CN2L	CONNECTOR (LOSSNAY)	DP	DRAIN-UP MACHINE	W.B	PCB FOR WIRELESS REMOTE CONTROLLER
CN32	CONNECTOR (REMOTE SWITCH)	FS	DRAIN FLOAT SWITCH	BZ	BUZZER
CN41	CONNECTOR (HA TERMINAL-A)	MF	FAN MOTOR	LED1	LED (OPERATION INDICATION : GREEN)
CN51	CONNECTOR (CENTRALLY CONTROL)	MV	VANE MOTOR	LED2	LED (PREPARATION FOR HEATING : ORANGE)
DSA	SURGE ABSORBER	TB2	TERMINAL BLOCK (Indoor unit Power (option))	RU	RECEIVING UNIT
FUSE	FUSE (T6.3AL250V)	TB4	TERMINAL BLOCK (INDOOR/OUTDOOR CONNECTING LINE)	SW1	EMERGENCY OPERATION (HEAT / DOWN)
LED1	POWER SUPPLY (L.B)	TB5,TB6	TERMINAL BLOCK (REMOTE CONTROLLER TRANSMISSION LINE)	SW2	EMERGENCY OPERATION (COOL / UP)
LED2	POWER SUPPLY (R.B)				
LED3	TRANSMISSION (INDOOR-OUTDOOR)				
SW1	SWITCH (MODEL SELECTION) *See table 1	TH1	ROOM TEMP. THERMISTOR (0°C / 15kΩ, 25°C / 5.4kΩ DETECT)		
SW2	SWITCH (CAPACITY CODE) *See table 2	TH2	PIPE TEMP. THERMISTOR/LIQUID (0°C / 15kΩ, 25°C / 5.4kΩ DETECT)		
SWE	CONNECTOR (EMERGENCY OPERATION)	TH5	COND. / EVA. TEMP. THERMISTOR (0°C / 15kΩ, 25°C / 5.4kΩ DETECT)		
X1	RELAY (DRAIN PUMP)				
ZNR01.02	VARISTOR				

Please set the voltage using the remote controller. For the setting method, please refer to the indoor unit installation Manual.



* Be sure to turn off the source power and then disconnect fan motor connector. (Failure to do so will cause trouble in Fan motor)



<Table 1>-SW1(MODEL SELECTION)

SW1	
Manufacture/Service	
1	ON
2	OFF
3	ON
4	OFF
5	ON

<Table 2>-SW2(CAPACITY CODE)

MODELS	SW2				
	Manufacture/Service				
PLA-RP35BA	1	2	3	4	5
PLA-RP50BA	1	2	3	4	5
PLA-RP60BA	1	2	3	4	5
PLA-RP71BA	1	2	3	4	5

Notes:

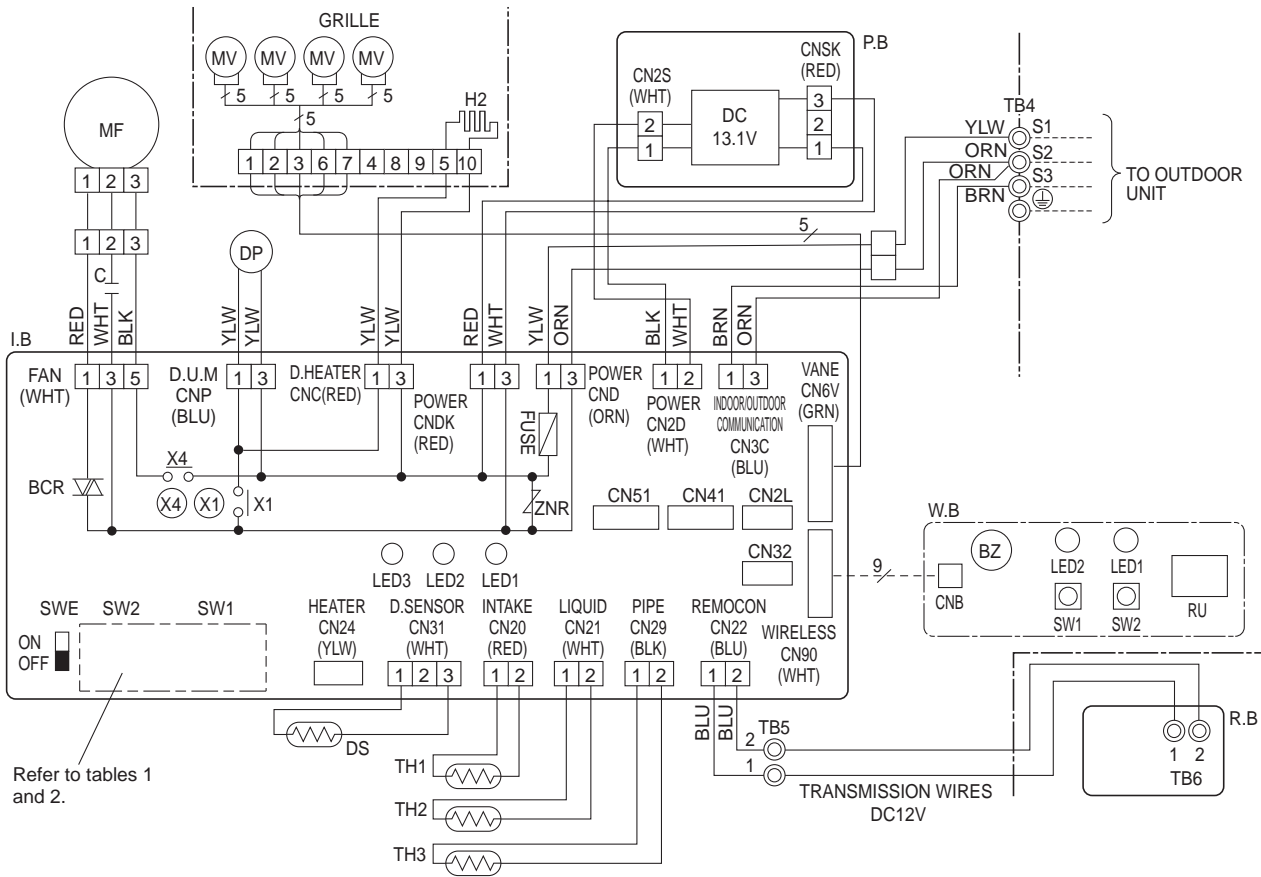
- Symbols used in wiring diagram above are, : Connector, : Terminal (block).
 - Indoor and outdoor connecting wires have polarities, make sure to match terminal numbers (S1, S2, S3) for correct wirings.
 - Since the outdoor side electric wiring may change, be sure to check the outdoor unit electric wiring diagram for servicing.
 - This diagram shows the wiring of indoor and outdoor connecting wires.(specification of 230V), adopting superimposed system of power and signal.
- *1:When work to Supply power separately to indoor and outdoor units was applied, refer to Fig 1.
 *2:For power supply system of this unit, refer to the caution label located near this diagram.

PLA-RP35AA PLA-RP50AA PLA-RP60AA PLA-RP71AA

[LEGEND]

SYMBOL	NAME	SYMBOL	NAME	SYMBOL	NAME
P.B	INDOOR POWER BOARD	MF	FAN MOTOR	W.B	WIRELESS REMOTE CONTROLLER BOARD
I.B	INDOOR CONTROLLER BOARD	MV	VANE MOTOR	RU	RECEIVING UNIT
	FUSE	H2	DEW PREVENTION HEATER	BZ	BUZZER
	ZNR	DP	DRAIN-UP MACHINE	LED1	LED(RUN INDICATOR)
	BCR	DS	DRAIN SENSOR	LED2	LED(HOT ADJUST)
	CN2L	TB2	TERMINAL BLOCK (INDOOR UNIT POWER(OPTION))	SW1	SWITCH(HEATING ON/OFF)
	CN32	TB4	TERMINAL BLOCK (INDOOR/OUTDOOR CONNECTING LINE)	SW2	SWITCH(COOLING ON/OFF)
	CN41	TB5, TB6	TERMINAL BLOCK(REMOTE CONTROLLER TRANSMISSION LINE)		
	CN51	TH1	ROOM TEMP.THERMISTOR (0°C/15kΩ,25°C/5.4kΩ DETECT)		
	LED1	TH2	PIPE TEMP.THERMISTOR/LIQUID (0°C/15kΩ,25°C/5.4kΩ DETECT)		
	LED2	TH5	COND./EVA. TEMP. THERMISTOR (0°C/15kΩ,25°C/5.4kΩ DETECT)		
	LED3				
	X1				
	X4				
	SW1				
	SW2				
	SWE				
C	CAPACITOR(FAN MOTOR)	R.B	WIRED REMOTE CONTROLLER BOARD		

Please set the voltage using the remote controller. For the setting method, please refer to the indoor unit Installation Manual.



Notes:

- Symbols used in wiring diagram above are, : Connector, : Terminal (block).
- Indoor and outdoor connecting wires have polarities, make sure to match terminal numbers (S1, S2, S3) for correct wirings.
- Since the outdoor side electric wiring may change, be sure to check the outdoor unit electric wiring diagram for servicing.
- This diagram shows the wiring of indoor and outdoor connecting wires (specification of 230V), adopting superimposed system of power and signal.

Table 1

MODELS	SW1				
	Service board				
PLA-RP. AA	1	2	3	4	5 ON/OFF

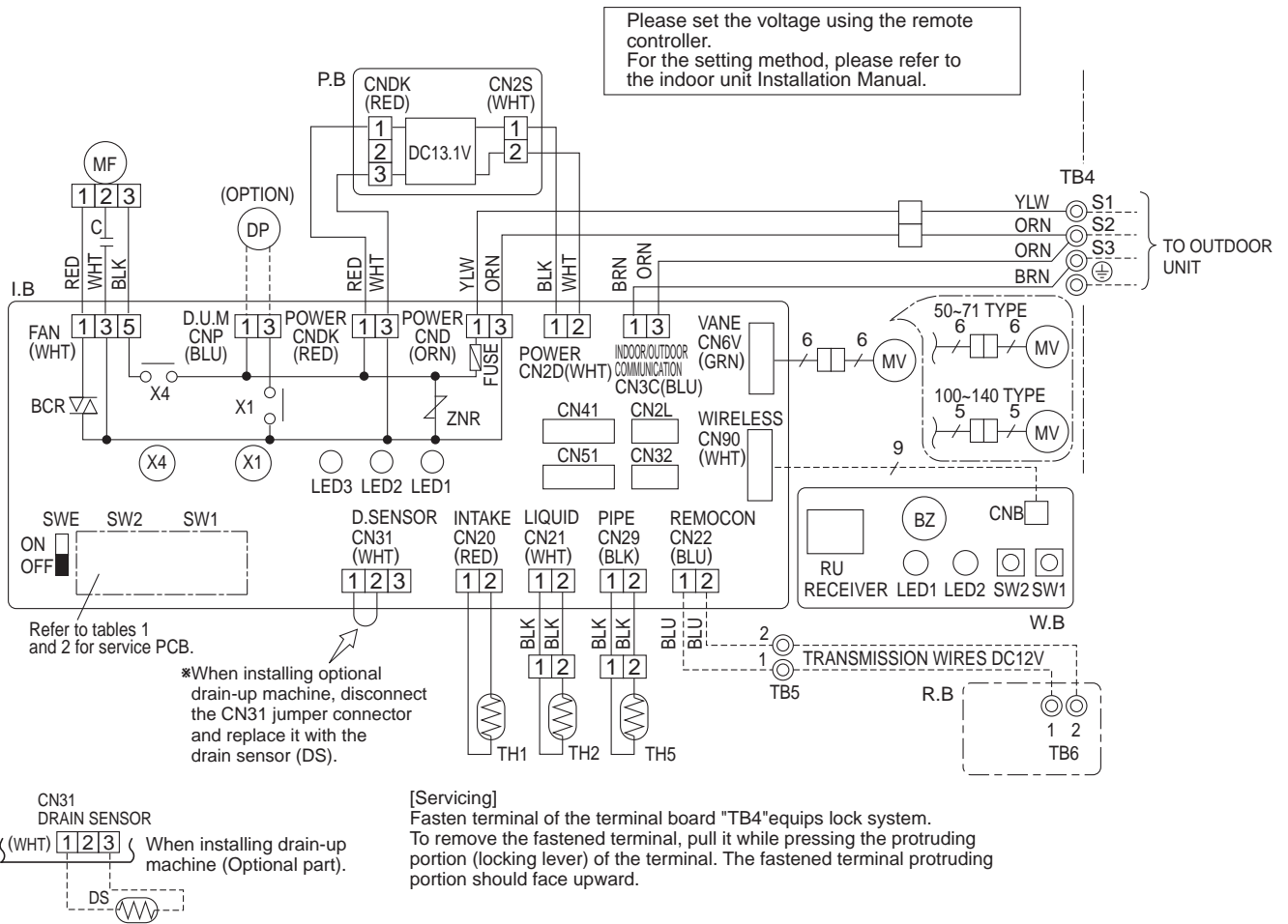
Table 2

MODELS	SW2				
	Service board				
PLA-RP35AA	1	2	3	4	5 ON/OFF
PLA-RP50AA	1	2	3	4	5 ON/OFF
PLA-RP60AA	1	2	3	4	5 ON/OFF
PLA-RP71AA	1	2	3	4	5 ON/OFF

PCA-RP50GA PCA-RP50GA2 PCA-RP60GA PCA-RP71GA

[LEGEND]

SYMBOL	NAME	SYMBOL	NAME	SYMBOL	NAME
P.B	INDOOR POWER BOARD	MF	FAN MOTOR	W.B	WIRELESS REMOTE CONTROLLER BOARD(OPTION)
I.B	INDOOR CONTROLLER BOARD	MV	VANE MOTOR	RU	RECEIVING UNIT
FUSE	FUSE (T6.3AL250V)	DP	DRAIN-UP MACHINE (OPTION)	BZ	BUZZER
ZNR	VARISTOR	DS	DRAIN SENSOR (OPTION)	LED1	LED(RUN INDICATOR)
CN2L	CONNECTOR(LOSSNAY)	TB2	TERMINAL BLOCK (HEATER) *PCH-P.GAH models only or option for PCA RP.GA models.	LED2	LED(HOT ADJUST)
CN32	CONNECTOR(REMOTE SWITCH)	TB4	TERMINAL BLOCK(INDOOR/OUTDOOR CONNECTING LINE)	SW1	SWITCH(HEATING ON/OFF)
CN41	CONNECTOR(HA TERMINAL-A)	TB5,TB6	TERMINAL BLOCK(REMOTE CONTROLLER TRANSMISSION LINE)	SW2	SWITCH(COOLING ON/OFF)
CN51	CONNECTOR(CENTRALLY CONTROL)	TH1	ROOM TEMP.THERMISTOR (0°C/15kΩ, 25°C/5.4kΩ DETECT)	HEATER	
SW1	SWITCH (MODEL SELECTION) *See Table 1.	TH2	PIPE TEMP.THERMISTOR/LIQUID (0°C/15kΩ, 25°C/5.4kΩ DETECT)	FS1,2	THERMAL FUSE(98°C/10A:50GAH/117°C/16A:100GAH 110°C/16A:60.71,125,140GAH)
SW2	SWITCH (CAPACITY CODE) *See Table 2.	TH5	COND./EVA.TEMP.THERMISTOR (0°C/15kΩ, 25°C/5.4kΩ DETECT)	H1	HEATER
SWE	SWITCH(EMERGENCY OPERATION)	R.B	WIRED REMOTE CONTROLLER BOARD	26H	HEATER THERMAL SWITCH
X1	RELAY(DRAIN PUMP)			88H	HEATER CONTACTOR
X4	RELAY(FAN MOTOR)				
BCR	FAN CONTROL ELEMENT				
LED1	POWER SUPPLY(L.B)				
LED2	POWER SUPPLY(R.B)				
LED3	TRANSMISSION(INDOOR-OUTDOOR)				
C	CAPACITOR(FAN MOTOR)				



NOTES:

1. Since the outdoor side electric wiring may change, be sure to check the outdoor unit electric wiring diagram for servicing.
2. Indoor and outdoor connecting wires have polarities, make sure to match terminal numbers (S1, S2, S3) for correct wirings.
3. Make sure that the main power supply of the booster heater is independent.
4. Symbols used in wiring diagram above are,
 : Connector, : Terminal (block).

Table 1

SW1											
MODELS	Service board										
PCA-RP.GA	<table border="1"> <tr> <td>1</td><td>2</td><td>3</td><td>4</td><td>5</td> </tr> <tr> <td>ON</td><td>OFF</td><td>OFF</td><td>OFF</td><td>OFF</td> </tr> </table>	1	2	3	4	5	ON	OFF	OFF	OFF	OFF
1	2	3	4	5							
ON	OFF	OFF	OFF	OFF							

Table 2

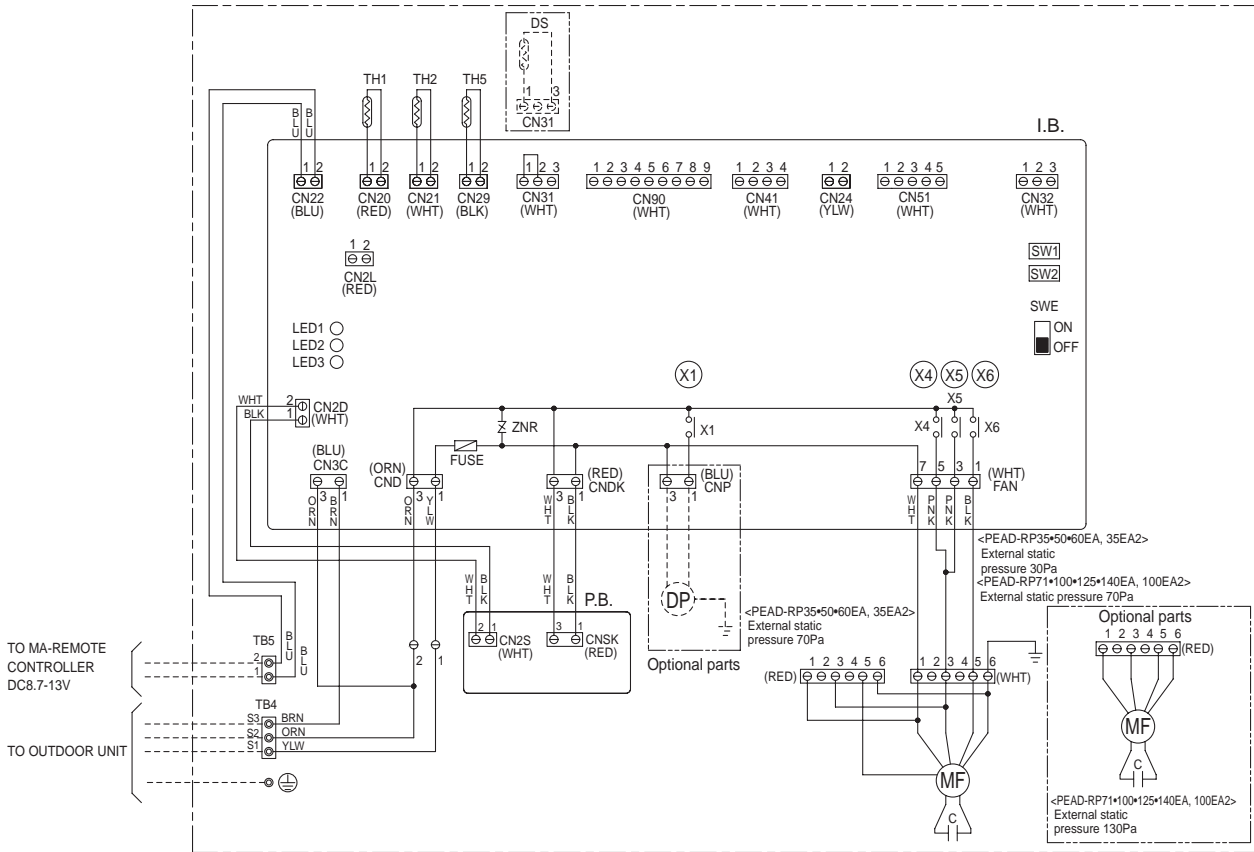
SW2											
MODELS	Service board										
PCA-RP50GA	<table border="1"> <tr> <td>1</td><td>2</td><td>3</td><td>4</td><td>5</td> </tr> <tr> <td>ON</td><td>OFF</td><td>OFF</td><td>OFF</td><td>OFF</td> </tr> </table>	1	2	3	4	5	ON	OFF	OFF	OFF	OFF
1	2	3	4	5							
ON	OFF	OFF	OFF	OFF							
PCA-RP50GA2 PCA-RP60GA	<table border="1"> <tr> <td>1</td><td>2</td><td>3</td><td>4</td><td>5</td> </tr> <tr> <td>ON</td><td>OFF</td><td>OFF</td><td>OFF</td><td>OFF</td> </tr> </table>	1	2	3	4	5	ON	OFF	OFF	OFF	OFF
1	2	3	4	5							
ON	OFF	OFF	OFF	OFF							
PCA-RP71GA	<table border="1"> <tr> <td>1</td><td>2</td><td>3</td><td>4</td><td>5</td> </tr> <tr> <td>ON</td><td>OFF</td><td>OFF</td><td>OFF</td><td>OFF</td> </tr> </table>	1	2	3	4	5	ON	OFF	OFF	OFF	OFF
1	2	3	4	5							
ON	OFF	OFF	OFF	OFF							

PEAD-RP35EA2 PEAD-RP50EA PEAD-RP60EA PEAD-RP71EA

[LEGEND]

SYMBOL	NAME	SYMBOL	NAME	SYMBOL	NAME
I.B.	INDOOR CONTROLLER BOARD	SW2	SWITCH(CAPACITY CORD)	TB4	TERMINAL BLOCK (INDOOR/OUTDOOR CONNECTING LINE)
FUSE	FUSE(T6.3AL250V)	SWE	SWITCH(EMERGENCY OPERATION)	TB5	TERMINAL BLOCK(REMOTE CONTROLLER)
ZNR	VARISTOR	X1	RELAY(DRAIN PUMP)	TH1	INTAKE AIR TEMP. THERMISTOR (0°C /15kΩ, 25°C /5.4kΩ DETECT)
CN2L	CONNECTOR(LOSSNAY)	X4	RELAY(FAN MOTOR)	TH2	PIPE TEMP. THERMISTOR/LIQUID (0°C /15kΩ, 25°C /5.4kΩ DETECT)
CN24	CONNECTOR(HEATER)	X5	RELAY(FAN MOTOR)	TH5	COND./EVA. TEMP. THERMISTOR (0°C /15kΩ, 25°C /5.4kΩ DETECT)
CN32	CONNECTOR(REMOTE SWITCH)	X6	RELAY(FAN MOTOR)		
CN41	CONNECTOR(HA TERMINAL-A)	P.B.	INDOOR POWER BOARD		
CN51	CONNECTOR(CENTRALLY CONTROL)	DRAIN PUMP	(OPTIONAL PARTS)		
CN90	CONNECTOR(WIRELESS)	DP	DRAIN PUMP		
LED1	POWER SUPPLY(I.B.)	DS	DRAIN SENSOR		
LED2	POWER SUPPLY(REMOTE CONTROLLER)	C	CAPACITOR(FAN MOTOR)		
LED3	TRANSMISSION(INDOOR•OUTDOOR)	MF	FAN MOTOR		
SW1	SWITCH(MODEL SELECTION)				

INSIDE SECTION OF CONTROL BOX



NOTES:

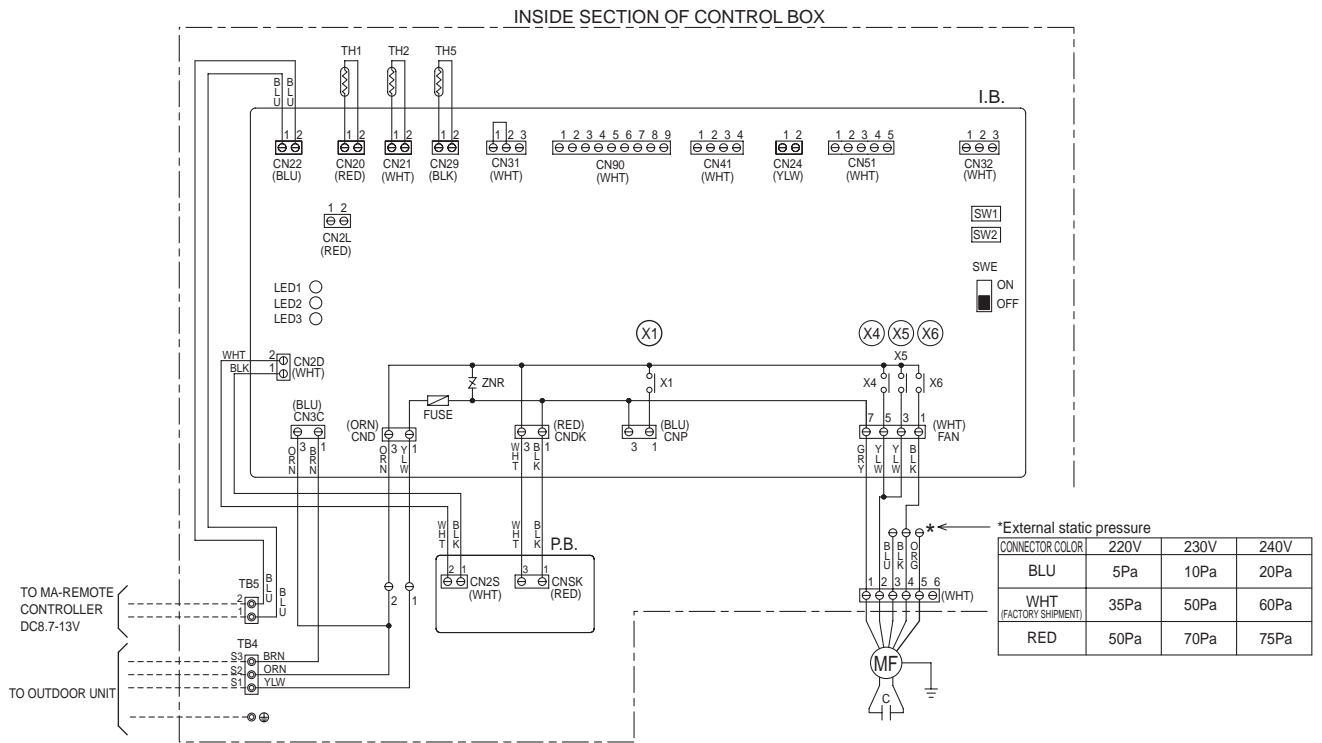
1. Since the outdoor side electric wiring may change, be sure to check the outdoor unit electric wiring diagram for servicing.
2. Indoor and outdoor connecting wires have polarities, make sure to match terminal numbers (S1, S2, S3) for correct wirings.
3. Symbols used in wiring diagram above are,
 : Connector, : Terminal (block).
4. The wiring between MA-Remote controller and TB5 is included in the package.

MODELS	SW1 Model selection switch	SW2 Capacity cord switch
35EA2		
50EA		
60EA		
71EA		

PEAD-RP60GA PEAD-RP71GA

[LEGEND]

SYMBOL	NAME	SYMBOL	NAME	SYMBOL	NAME
I.B.	INDOOR CONTROLLER BOARD	SW1	SWITCH(MODEL SELECTION)	TB5	TERMINAL BLOCK(REMOTE CONTROLLER)
FUSE	FUSE(T6.3AL250V)	SW2	SWITCH(CAPACITY CORD)	TH1	INTAKE AIR TEMP.THERMISTOR (0°C /15kΩ, 25°C/5.4kΩ DETECT)
ZNR	VARISTOR	SWE	SWITCH(EMERGENCY OPERATION)	TH2	PIPE TEMP. THERMISTOR/LIQUID (0°C /15kΩ, 25°C/5.4kΩ DETECT)
CN2L	CONNECTOR(LOSSNAY)	X1	RELAY(DRAIN PUMP)	TH5	COND./EVA. TEMP. THERMISTOR (0°C /15kΩ, 25°C/5.4kΩ DETECT)
CN24	CONNECTOR(HEATER)	X4	RELAY(FAN MOTOR)		
CN32	CONNECTOR(REMOTE SWITCH)	X5	RELAY(FAN MOTOR)		
CN41	CONNECTOR(HA TERMINAL-A)	X6	RELAY(FAN MOTOR)		
CN51	CONNECTOR(CENTRALLY CONTROL)	P.B.	INDOOR POWER BOARD		
CN90	CONNECTOR(WIRELESS)	C	CAPACITOR(FAN MOTOR)		
LED1	POWER SUPPLY(I.B.)	MF	FAN MOTOR		
LED2	POWER SUPPLY(REMOTE CONTROLLER)	TB4	TERMINAL BLOCK (INDOOR/OUTDOOR CONNECTING LINE)		
LED3	TRANSMISSION(INDOOR•OUTDOOR)				



MODELS	SW1	SW2																				
	Model selection switch	Capacity cord switch																				
60GA	<table border="1"> <tr><td>1</td><td>2</td><td>3</td><td>4</td><td>5</td></tr> <tr><td>ON</td><td>OFF</td><td>ON</td><td>OFF</td><td>ON</td></tr> </table>	1	2	3	4	5	ON	OFF	ON	OFF	ON	<table border="1"> <tr><td>1</td><td>2</td><td>3</td><td>4</td><td>5</td></tr> <tr><td>ON</td><td>OFF</td><td>ON</td><td>OFF</td><td>ON</td></tr> </table>	1	2	3	4	5	ON	OFF	ON	OFF	ON
1	2	3	4	5																		
ON	OFF	ON	OFF	ON																		
1	2	3	4	5																		
ON	OFF	ON	OFF	ON																		
71GA	<table border="1"> <tr><td>1</td><td>2</td><td>3</td><td>4</td><td>5</td></tr> <tr><td>ON</td><td>OFF</td><td>ON</td><td>OFF</td><td>ON</td></tr> </table>	1	2	3	4	5	ON	OFF	ON	OFF	ON	<table border="1"> <tr><td>1</td><td>2</td><td>3</td><td>4</td><td>5</td></tr> <tr><td>ON</td><td>OFF</td><td>ON</td><td>OFF</td><td>ON</td></tr> </table>	1	2	3	4	5	ON	OFF	ON	OFF	ON
1	2	3	4	5																		
ON	OFF	ON	OFF	ON																		
1	2	3	4	5																		
ON	OFF	ON	OFF	ON																		

NOTES:

1. Since the outdoor side electric wiring may change, be sure to check the outdoor unit electric wiring diagram for servicing.
2. Indoor and outdoor connecting wires have polarities, make sure to match terminal numbers (S1, S2, S3) for correct wirings.
3. Symbols used in wiring diagram above are,
 : Connector, : Terminal (block).
4. The wiring between MA-Remote controller and TB5 is included in the package.

PEA-RP71EA

[LEGEND]

SYMBOL	NAME	SYMBOL	NAME	SYMBOL	NAME
P.B	INDOOR POWER BOARD	I.B	SW1 SWITCH(MODEL SELECTION)*See table 1	TB2	TERMINAL BLOCK(INDOOR UNIT POWER(OPTION))
I.B	INDOOR CONTROLLER BOARD		SW2 SWITCH(CAPACITY CODE)*See table 2	TB4	TERMINAL BLOCK (INDOOR/OUTDOOR CONNECTING LINE)
	FUSE FUSE(T6.3AL250V)		SWE SWITCH(EMERGENCY OPERATION)	TB5	TERMINAL BLOCK(REMOTE CONTROLLER TRANSMISSION LINE)
	ZNR VARISTOR	X4	RELAY(FAN MOTOR)	TH1	ROOM TEMPERATURE THERMISTOR (0°C/15kΩ, 25°C/5.4kΩ DETECT)
	CN2L CONNECTOR(LOSSNAY)	X5	RELAY(FAN MOTOR)	TH2	PIPE TEMPERATURE THERMISTOR/LIQUID (0°C/15kΩ, 25°C/5.4kΩ DETECT)
	CN32 CONNECTOR(REMOTE SWITCH))	X6	RELAY(FAN MOTOR)	TH5	COND./EVA. TEMPERATURE THERMISTOR (0°C/15kΩ, 25°C/5.4kΩ DETECT)
	CN41 CONNECTOR(HA TERMINAL-A)	R.B	REMOTE CONTROLLER BOARD		
	CN51 CONNECTOR(CENTRALLY CONTROL)	TB6	TERMINAL BLOCK(REMOTE CONTROLLER TRANSMISSION LINE)		
	LED1 POWER SUPPLY(I.B)	C	CAPACITOR(FAN MOTOR)		
	LED2 POWER SUPPLY(R.B)	MF	FAN MOTOR		
	LED3 TRANSMISSION(INDOOR • OUTDOOR)				

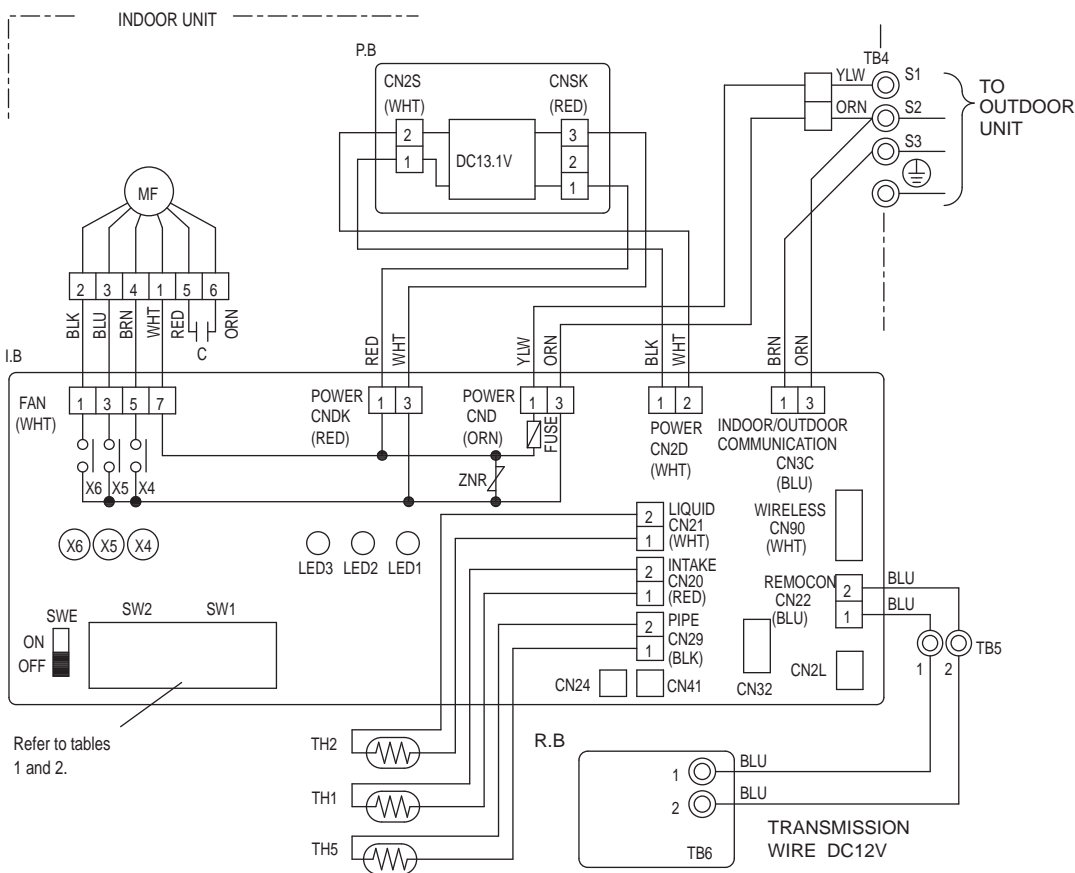


Table 1

MODELS	SW1				
	Manufacture/Service				
PEA-RPEA	1	2	3	4	5
	ON	OFF	ON	OFF	ON

Table 2

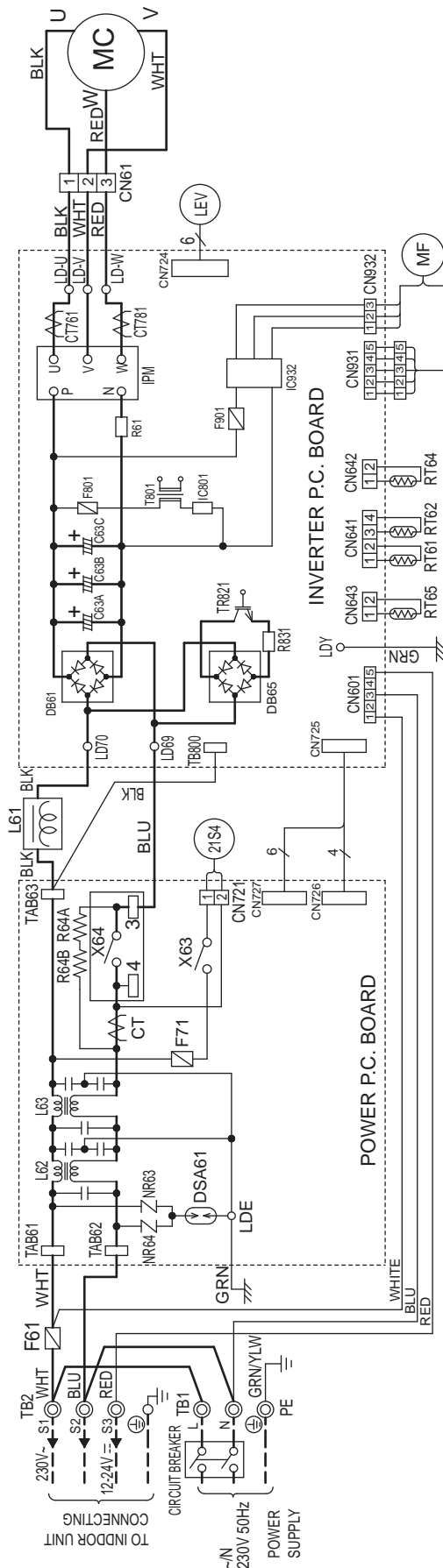
MODELS	SW2				
	Manufacture/Service				
PEA-RP71EA	1	2	3	4	5
	ON	OFF	ON	OFF	ON

Please set the voltage using the remote controller. For the setting method, please refer to the indoor unit installation Manual.

NOTES:

1. Since the outdoor side electric wiring may change, be sure to check the outdoor unit electric wiring diagram for servicing.
2. Indoor and outdoor connecting wires have polarities, make sure to match terminal numbers (S1, S2, S3) for correct wirings.
3. Symbols used in wiring diagram above are, □□: Connector, ⊙: Terminal (block).
4. This diagram shows the wiring of Indoor and Outdoor connecting wires(specification of 230V), adopting superimposed system of power and signal.

SUZ-KA25VA
SUZ-KA35VA

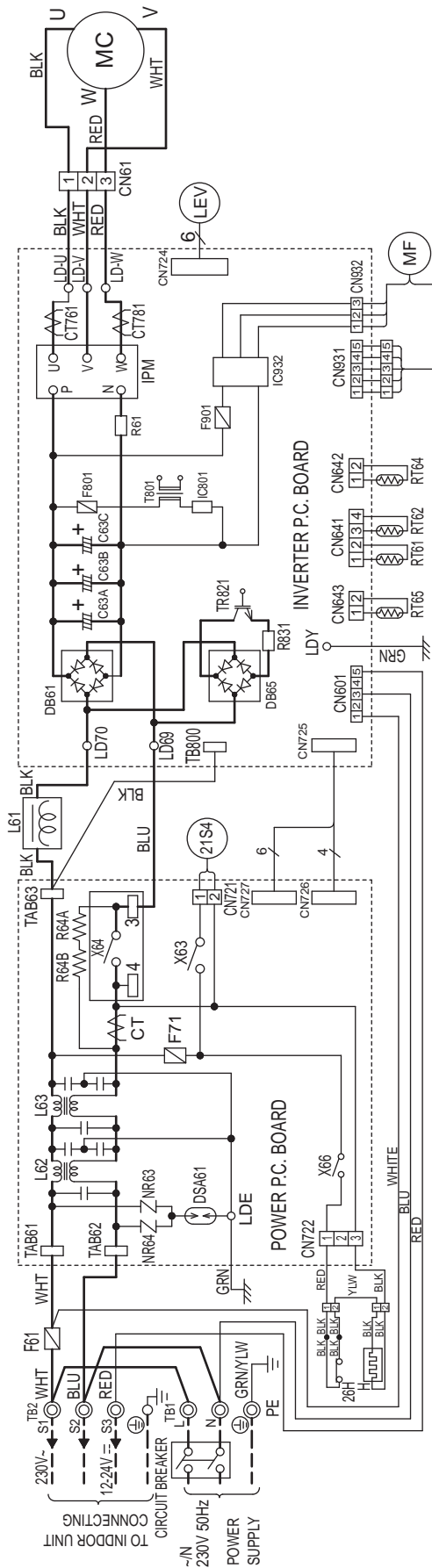


NOTE:1. About the indoor electric wiring, refer to the indoor unit electric wiring diagram for servicing.
2. Use copper conductors only. (For field wiring)
3. Symbols below indicate.
○: Terminal block, □□□□: Connector

[LEGEND]

SYMBOL	NAME	SYMBOL	NAME	SYMBOL	NAME
CT,C761,C781	CURRENT TRANSFORMER	L61	REACTOR	R61, R831	CURRENT-DETECTING RESISTOR
C63A,C63B,C63C	SMOOTHING CAPACITOR	L62,L63	CMC COIL	R64A,R64B	CURRENT-LIMITING RESISTOR
DB61, DB65	DIODE MODULE	MC	COMPRESSOR	TB1, TB2	TERMINAL BLOCK
DSA61	SURGE ABSORBER	NR63, NR64	VARIATOR	TR821	SWITCHING POWER TRANSISTOR
F61	FUSE (T20AL250V)	RT61	DEFROST THERMISTOR	T801	TRANSFORMER
F71	FUSE (T3.15AL250V)	RT62	DISCHARGE TEMPERATURE THERMISTOR	X63, X64	RELAY
F801, F901	FUSE (T3.15AL250V)	RT64	FIN TEMPERATURE THERMISTOR	21S4	R. V. COIL
IC801	INTELLIGENT POWER DEVICE	RT64	INTELLIGENT POWER DEVICE	LEV	EXPANSION VALVE COIL
IPM, IC932	INTELLIGENT POWER MODULE	RT65	AMBIENT TEMPERATURE THERMISTOR		

SUZ-KA25VAH
SUZ-KA35VAH

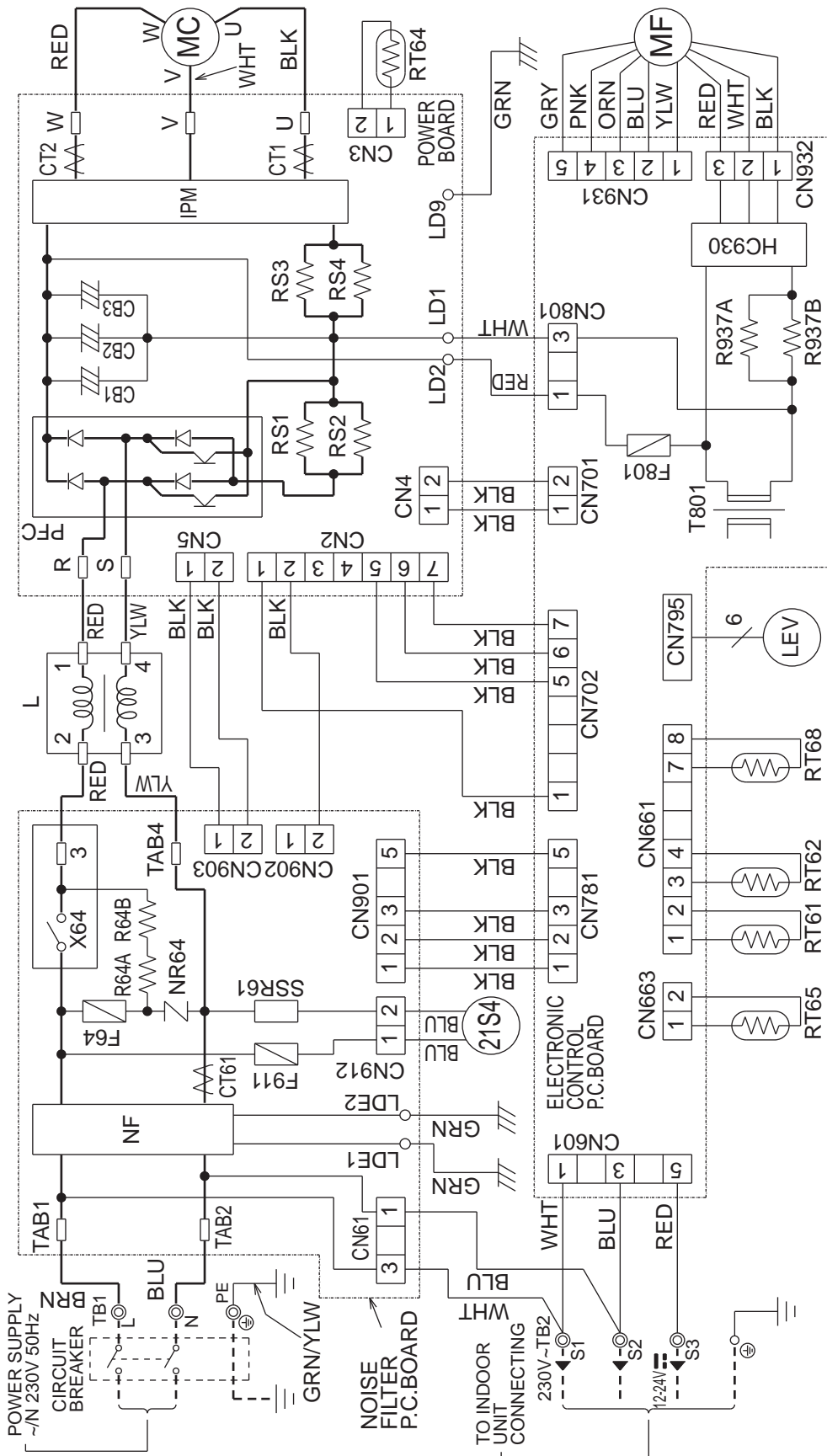


NOTE: 1. About the indoor electric wiring, refer to the indoor unit electric wiring diagram for servicing.
 2. Use copper conductors only. (For field wiring)
 3. Symbols below indicate.
 ◎: Terminal block, □□□: Connector

[LEGEND]

SYMBOL	NAME	SYMBOL	NAME	SYMBOL	NAME
CT,CT761,CT781	CURRENT TRANSFORMER	L61	REACTOR	R64A,R64B	CURRENT-LIMITING RESISTOR
C63A,C63B,C63C	SMOOTHING CAPACITOR	L62,L63	CMC COIL	TB1,TB2	TERMINAL BLOCK
DB61,DB65	DIODE MODULE	MC	COMPRESSOR	TR821	SWITCHING POWER TRANSISTOR
DSA61	SURGE ABSORBER	MF	OUTDOOR FAN MOTOR	T801	TRANSFORMER
F61	FUSE (T20AL250V)	NR63,NR64	VARISTOR	X63,X64,X66	RELAY
F71	FUSE (T3.15AL250V)	RT61	DEFROST THERMISTOR	21S4	R.V. COIL
F801,F901	FUSE (T3.15AL250V)	RT62	DISCHARGE TEMPERATURE THERMISTOR	H	DEFROST HEATER
IC801	INTELLIGENT POWER DEVICE	RT64	FIN TEMPERATURE THERMISTOR	26H	HEATER PROTECTOR
IPM,IC932	INTELLIGENT POWER MODULE	RT65	AMBIENT TEMPERATURE THERMISTOR		
LEV	EXPANSION VALVE COIL	R61,R831	CURRENT-DETECTING RESISTOR		

**SUZ-KA50VA
SUZ-KA60VA**



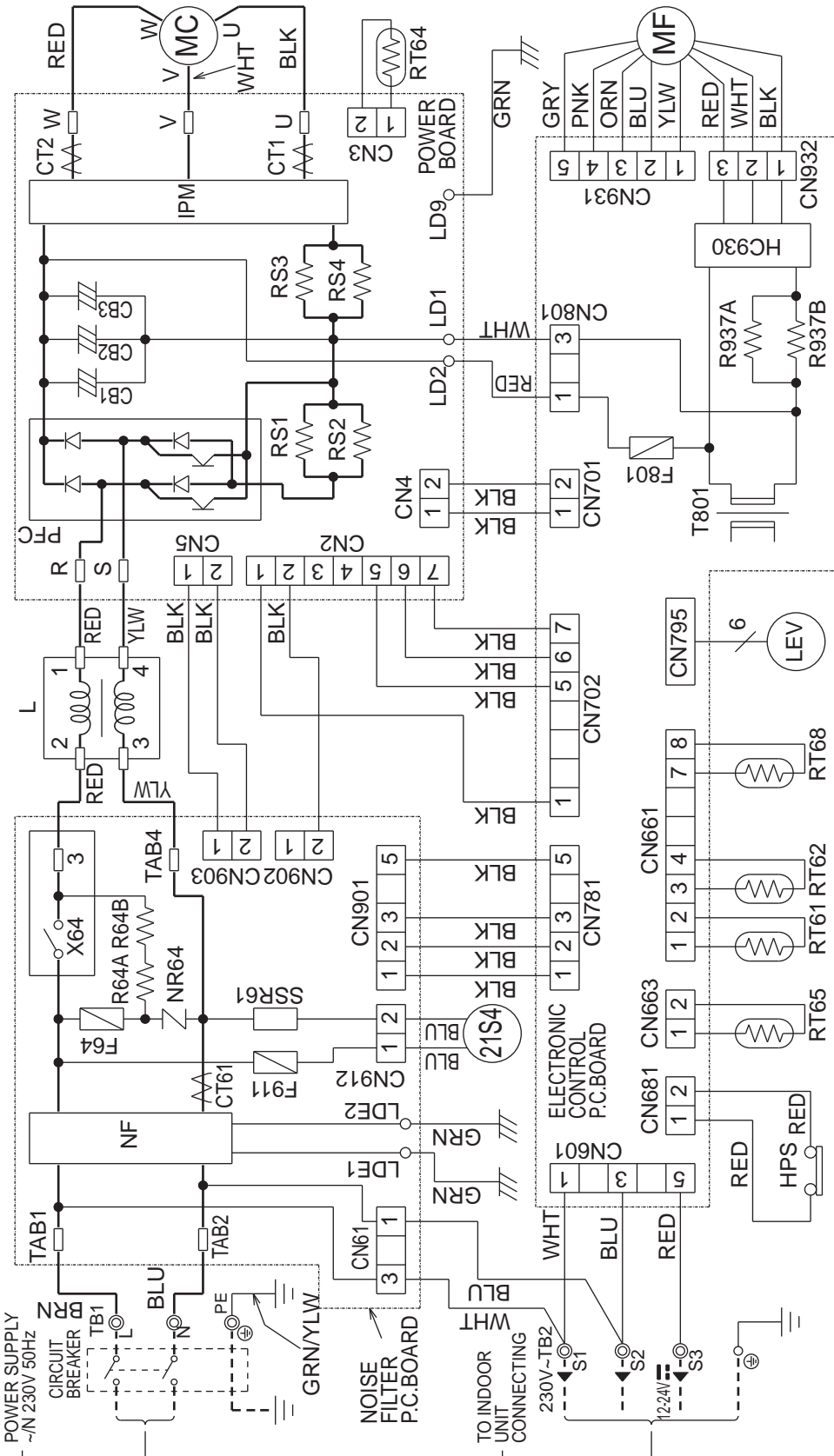
[LEGEND]

SYMBOL	NAME	SYMBOL	NAME	SYMBOL	NAME
CB1-3	SMOOTHING CAPACITOR	MC	COMPRESSOR	RT64	FIN TEMPERATURE THERMISTOR
CT1, 2	CURRENT TRANSFORMER	MF	OUTDOOR FAN MOTOR	RT65	AMBIENT TEMPERATURE THERMISTOR
CT61	CURRENT TRANSFORMER	NF	NOISE FILTER	RT68	OUTDOOR HEAT EXCHANGER TEMPERATURE THERMISTOR
F64	FUSE (T2AL 250V)	NR64	VARIABLE RESISTOR	SSR61	SOLENOID COIL RELAY
F801	FUSE (T3.15AL 250V)	R64A, B	RESISTOR	T801	TRANSFORMER
F911	FUSE (T1AL 250V)	R937A, B	RESISTOR	TB1	TERMINAL BLOCK
HC930	INTELLIGENT POWER MODULE	RS1-4	RESISTOR	TB2	TERMINAL BLOCK
IPM	INTELLIGENT POWER MODULE	RT61	DEFROST THERMISTOR	X64	RELAY
L	REACTOR	RT62	DISCHARGE TEMPERATURE THERMISTOR	21S4	I.R.V. COIL
LEV	EXPANSION VALVE COIL				

NOTES:

- About the indoor electric wiring, refer to the indoor unit electric wiring diagram for servicing.
- Use copper conductors only (for field wiring).
- Symbols below indicate:
 ○: Terminal block
 □: Connector

SUZ-KA71VA



NOTES: 1. About the indoor electric wiring, refer to the indoor unit electric wiring diagram for servicing.
 2. Use copper conductors only (for field wiring).
 3. Symbols below indicate.
 ●: Terminal block □: Connector

[LEGEND]

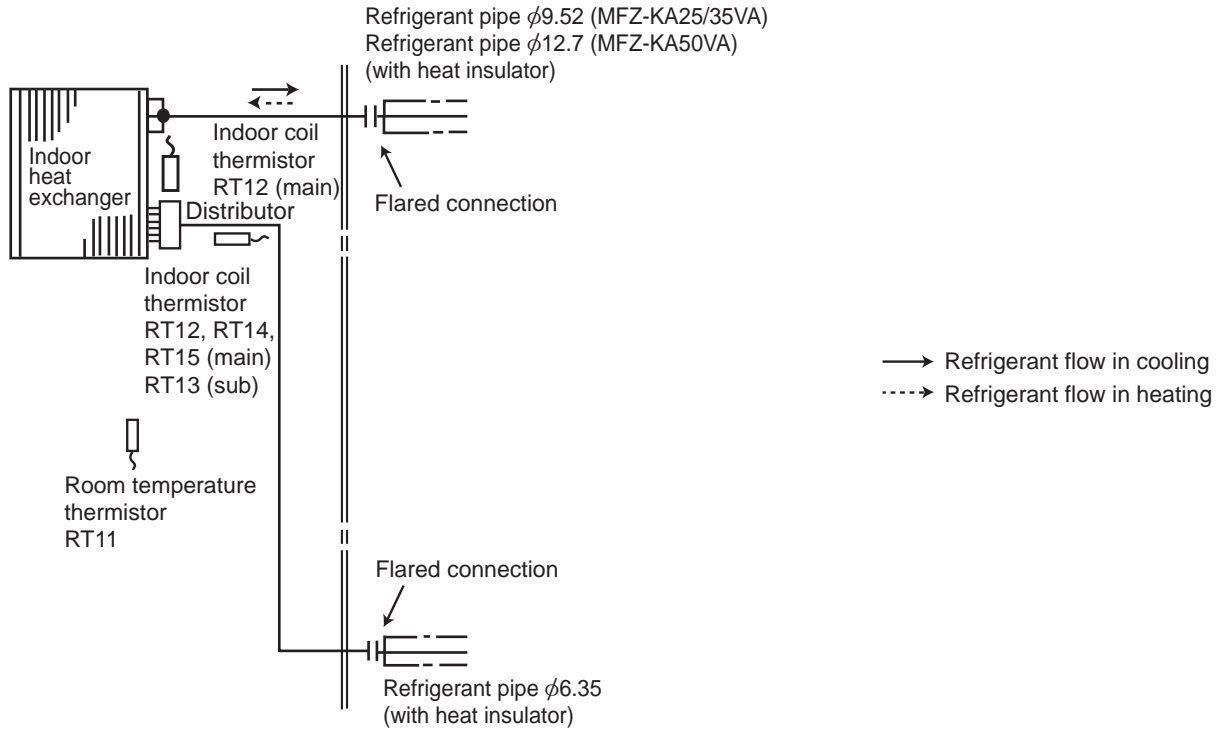
SYMBOL	NAME	SYMBOL	NAME	SYMBOL	NAME
CBT-3	SMOOTHING CAPACITOR	MC	COMPRESSOR	RT65	AMBIENT TEMPERATURE THERMISTOR
CT1, 2	CURRENT TRANSFORMER	MF	OUTDOOR FAN MOTOR	RT68	OUTDOOR HEAT EXCHANGER TEMPERATURE THERMISTOR
CT61	CURRENT TRANSFORMER	NF	NOISE FILTER	SSR61	SOLENOID COIL RELAY
F84	FUSE (T2AL 250V)	NR64	VARIATOR	T801	TRANSFORMER
F911	FUSE (T1AL 250V)	R64A, B	RESISTOR	TB1	TERMINAL BLOCK
HC930	INTELLIGENT POWER MODULE	R337A, B	RESISTOR	TB2	TERMINAL BLOCK
HPS	HIGH PRESSURE SWITCH	RS1-4	RESISTOR	X64	RELAY
IPM	INTELLIGENT POWER MODULE	RT61	DEFROST THERMISTOR	21S4	R.V. COIL
L	REACTOR	RT64	FIN TEMPERATURE THERMISTOR		
LEV	EXPANSION VALVE COIL				

5

REFRIGERANT SYSTEM DIAGRAM

5-1. INDOOR UNIT MFZ-KA25VA MFZ-KA35VA MFZ-KA50VA

Unit : mm

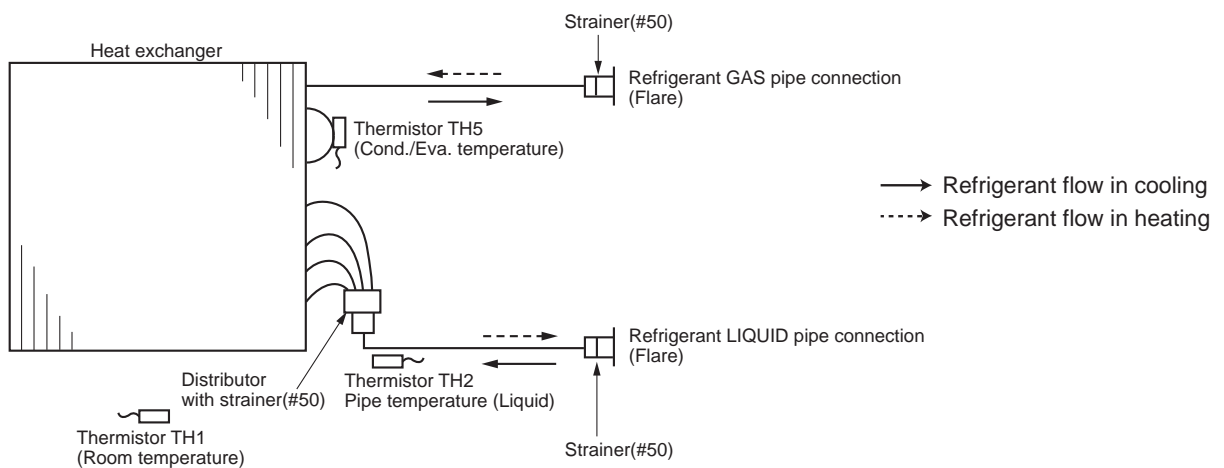


SLZ-KA-VA
SEZ-KC-VA
PLA-RP-BA
PEAD-RP-GA

SLZ-KA-VAL
SEZ-KA-VA
PLA-RP-AA
PEA-RP-EA

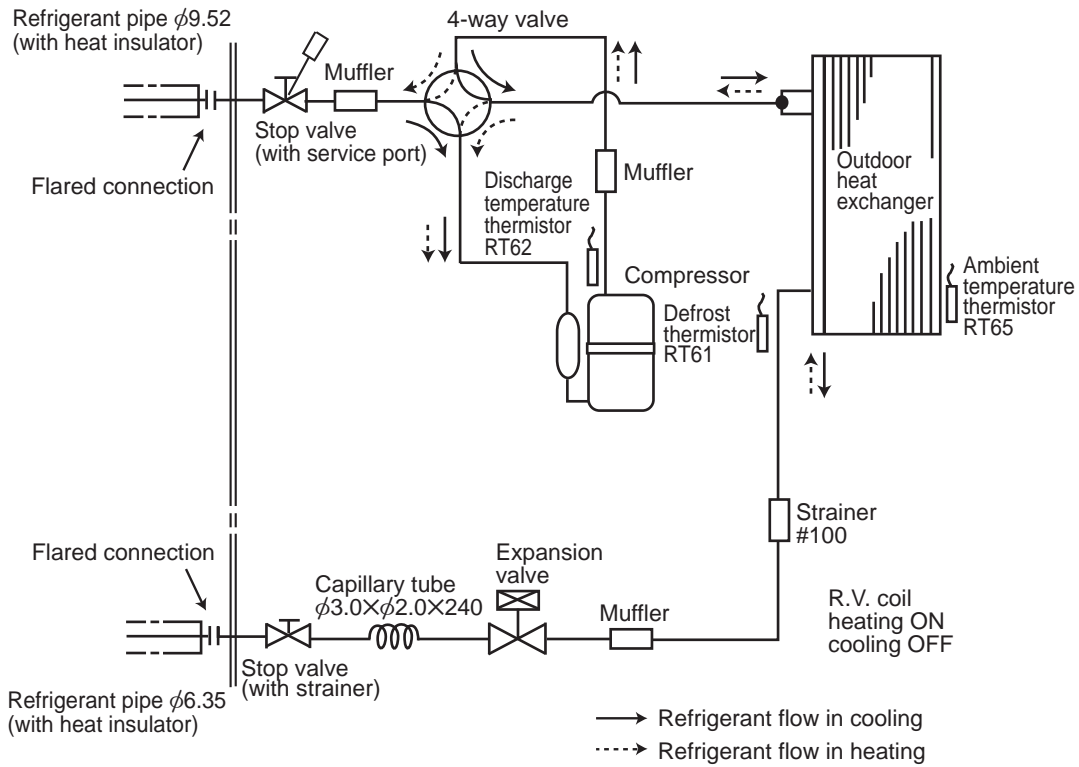
SEZ-KD-VA
PCA-RP-GA(2)

SEZ-KD-VAL
PEAD-RP-EA(2)



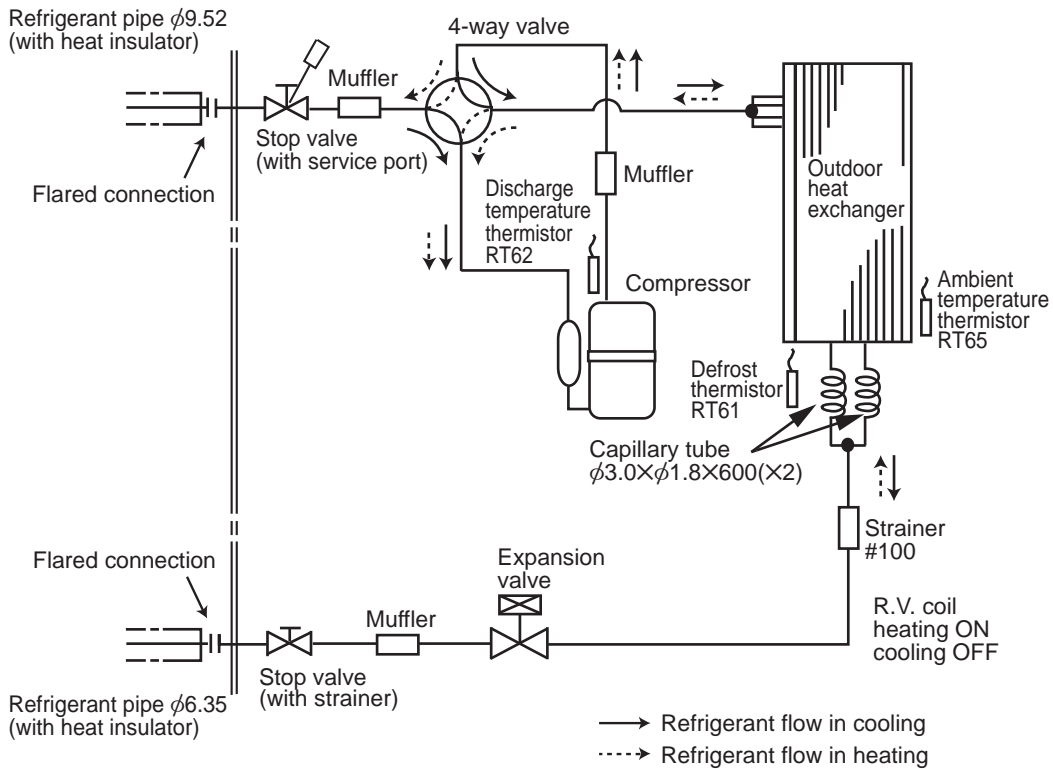
5-2. OUTDOOR UNIT
SUZ-KA25VA SUZ-KA25VAH

Unit:mm



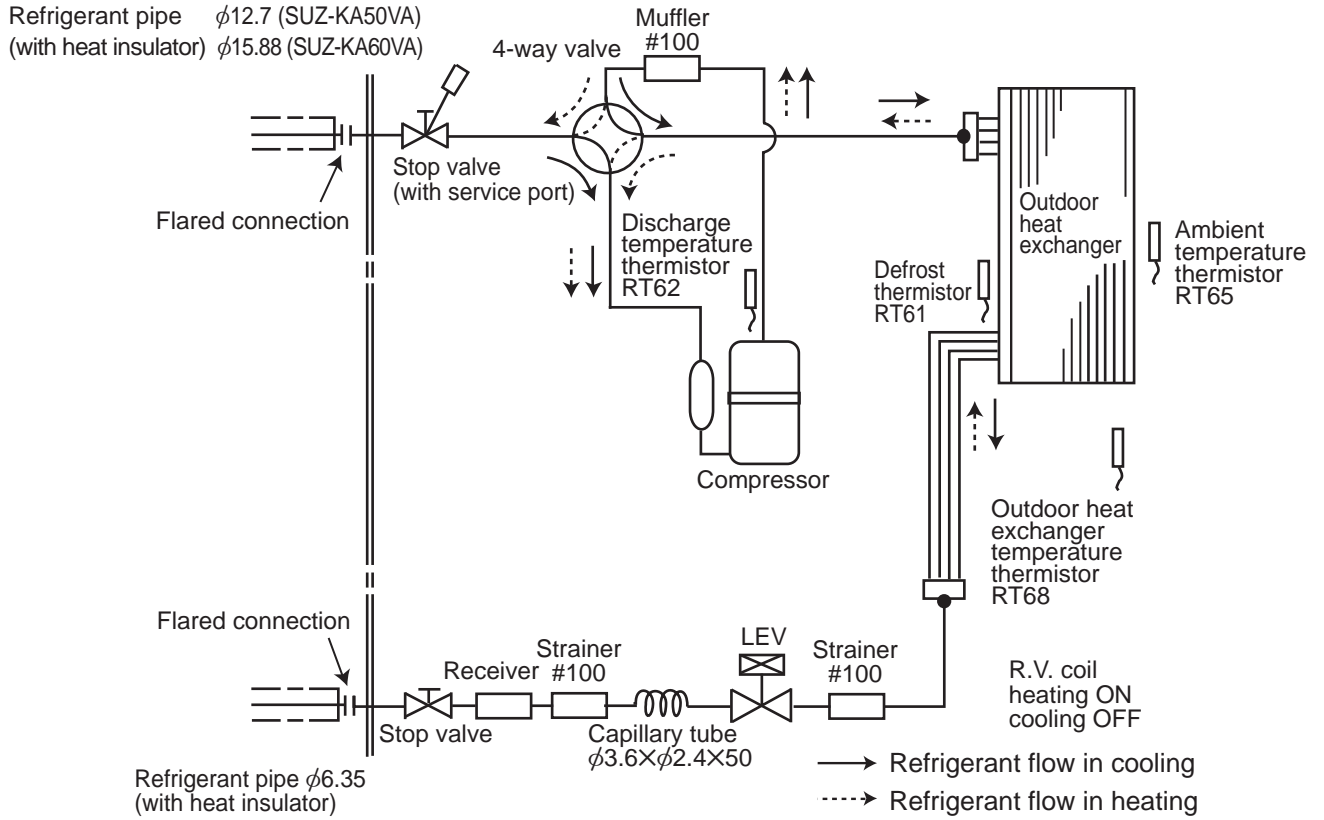
SUZ-KA35VA SUZ-KA35VAH

Unit:mm



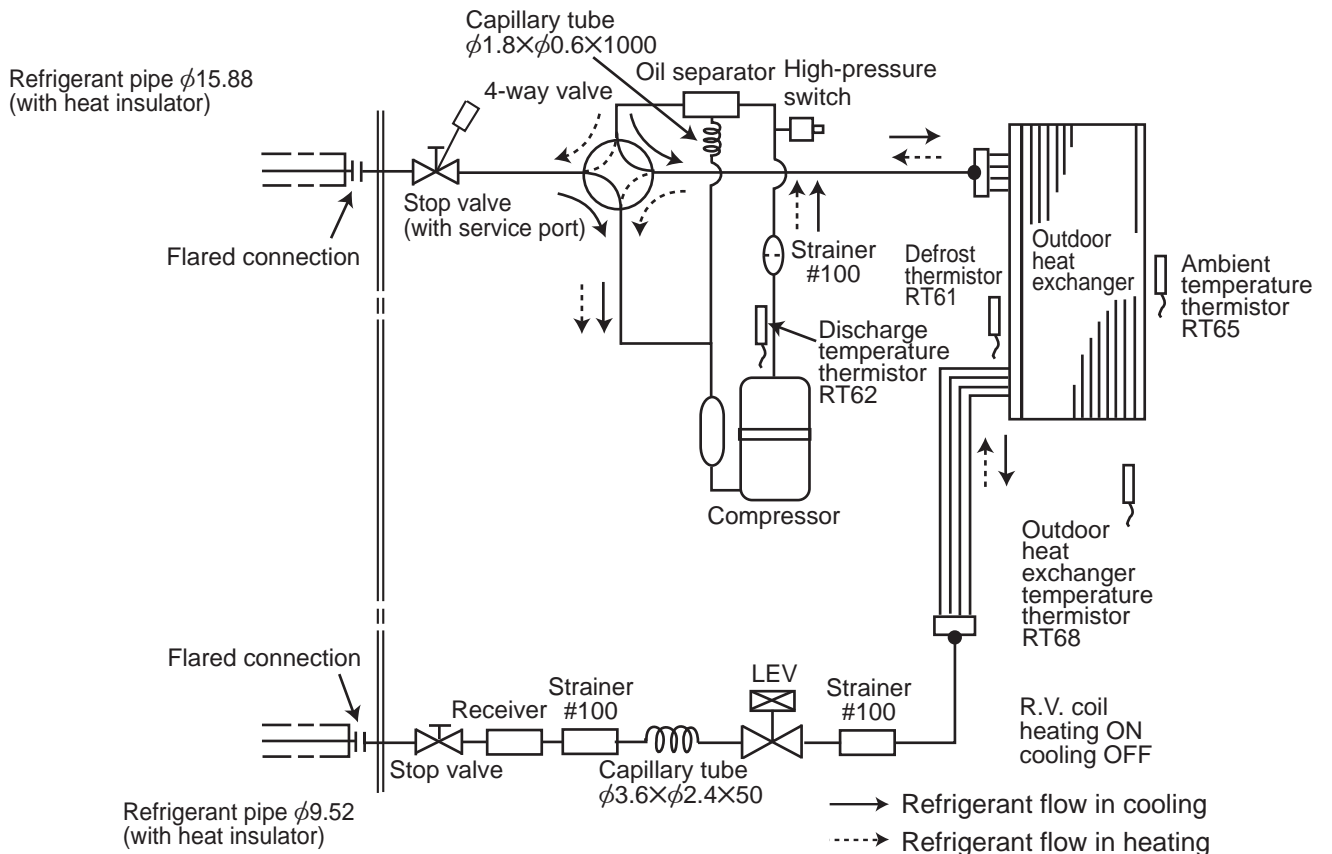
SUZ-KA50VA
SUZ-KA60VA

Unit:mm



SUZ-KA71VA

Unit:mm

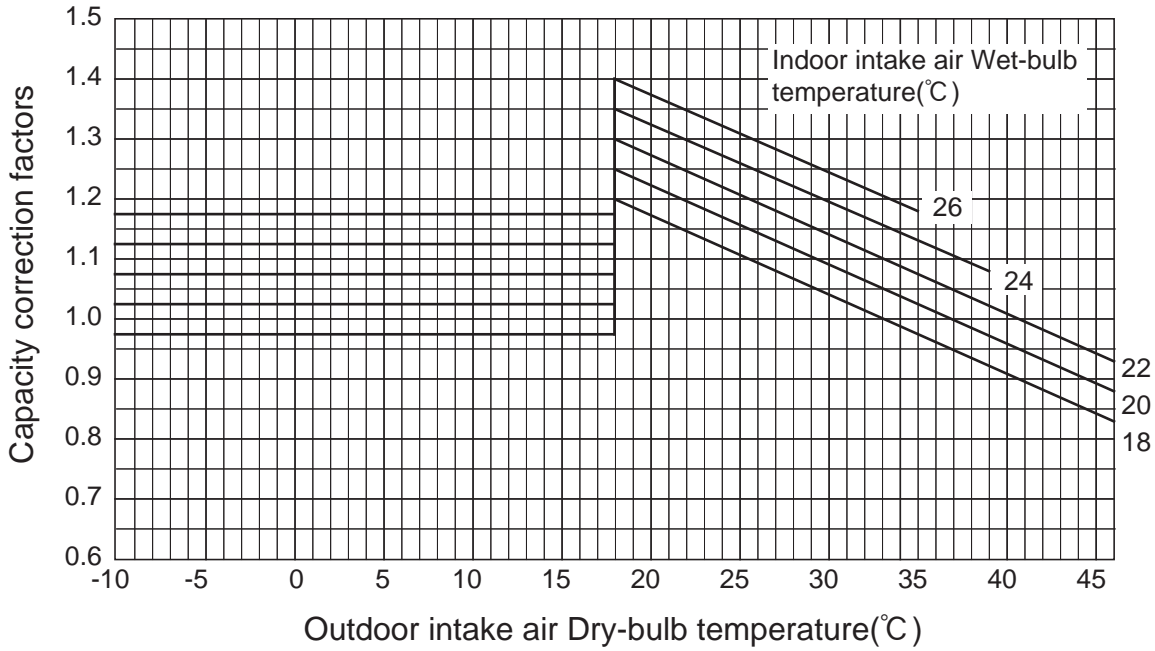


6

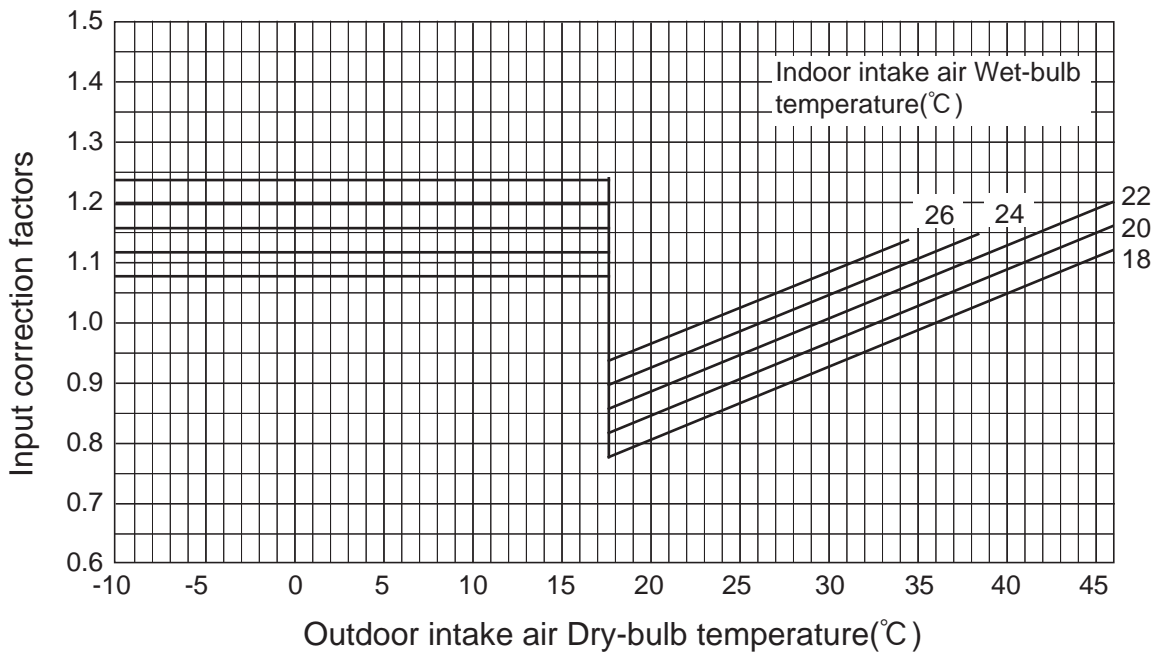
PERFORMANCE CURVES

FOR THE COMBINATION OF OUTDOOR UNIT SUZ-KA25VA(H)

Cooling capacity



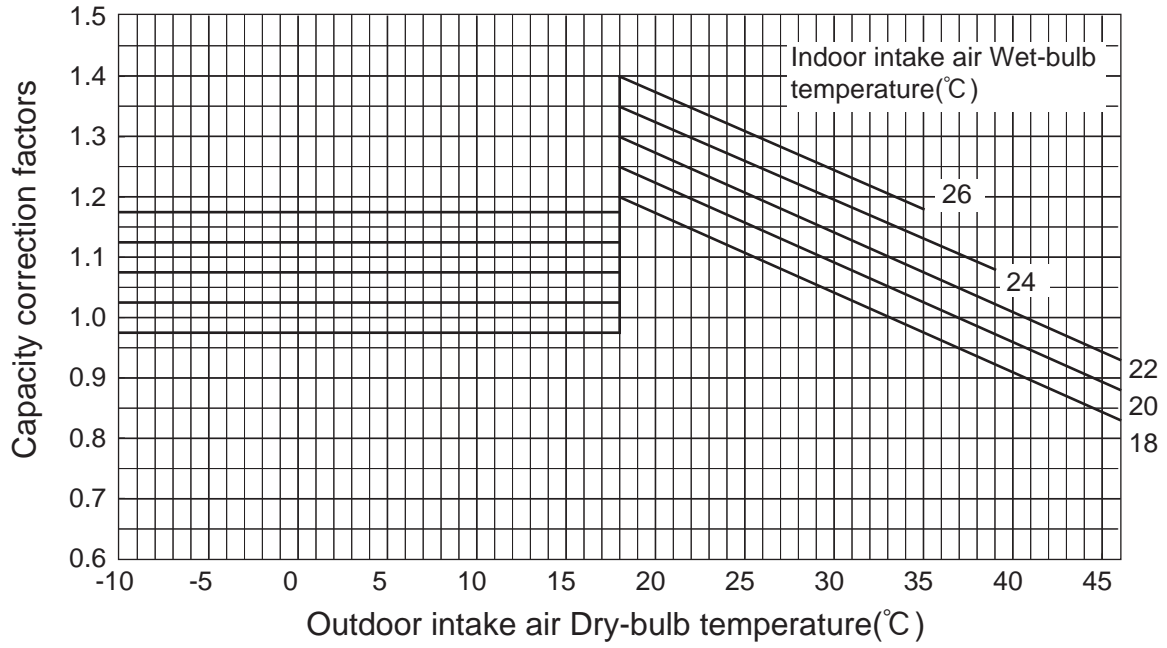
Total input (cooling)



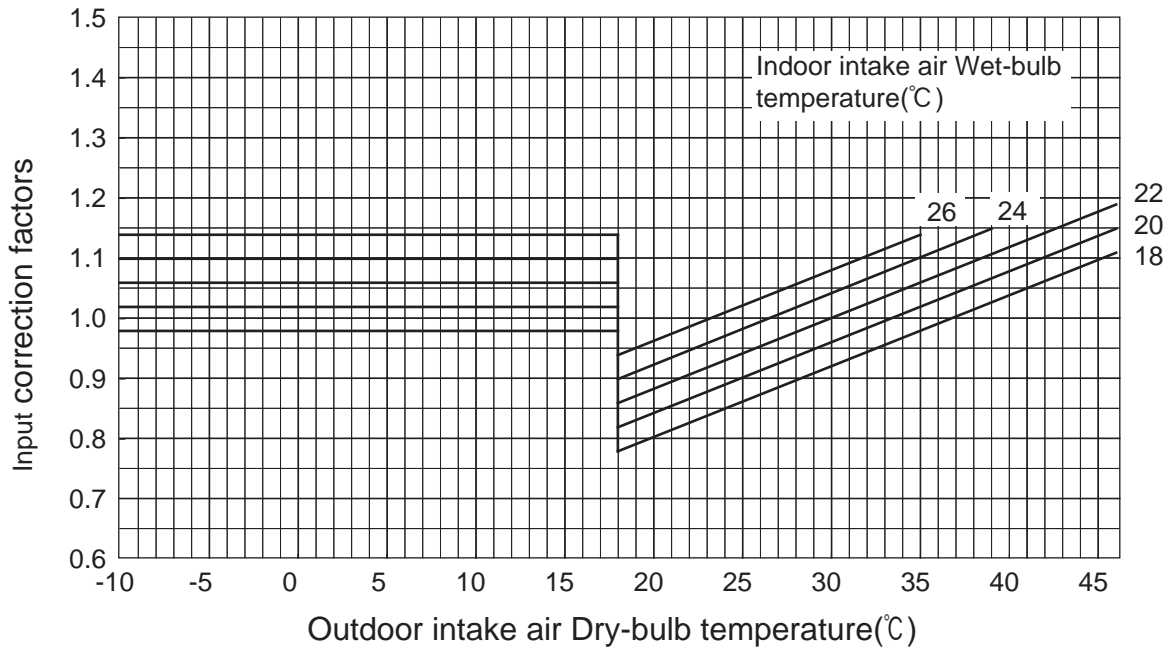


FOR THE COMBINATION OF OUTDOOR UNIT SUZ-KA35VA(H)

Cooling capacity

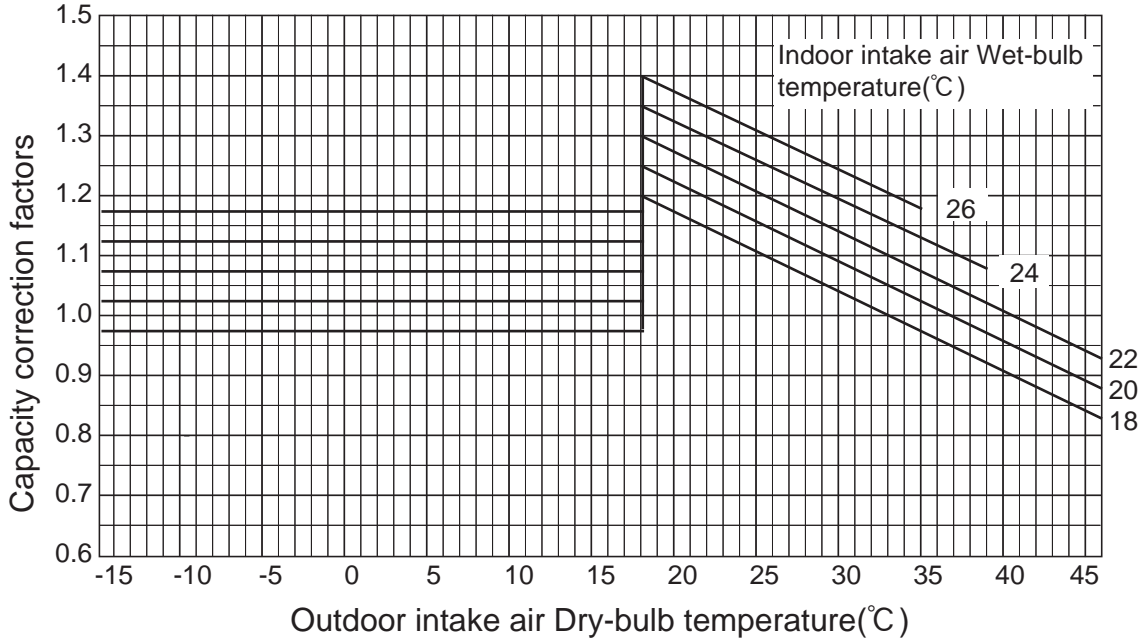


Total input (cooling)

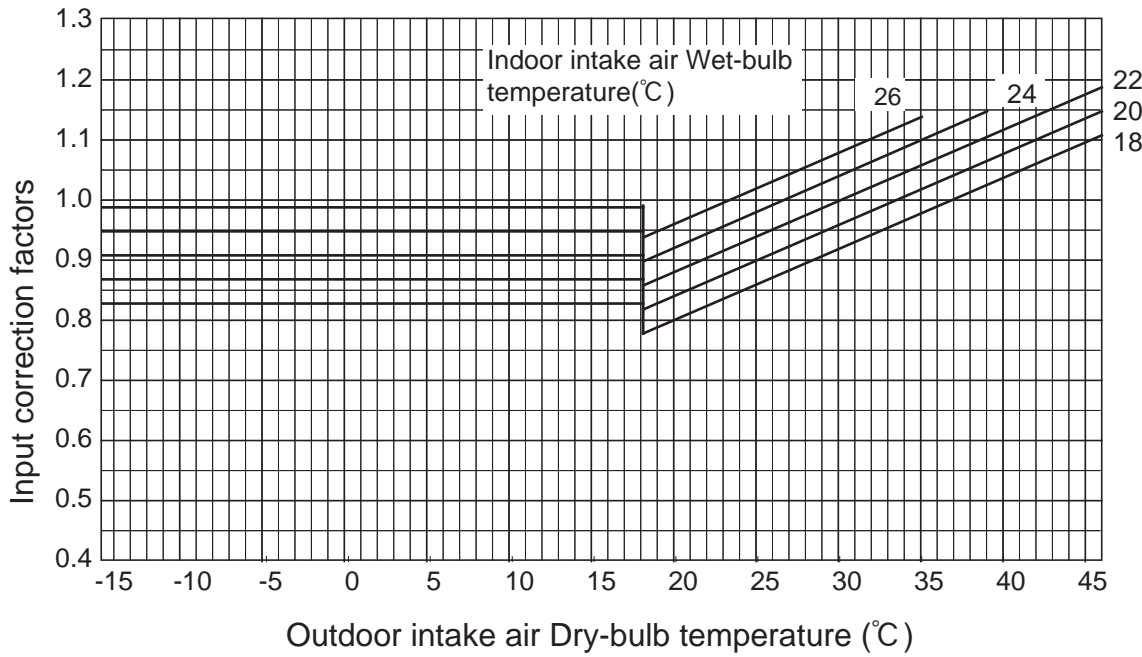


FOR THE COMBINATION OF OUTDOOR UNIT SUZ-KA50/60/71VA

Cooling capacity

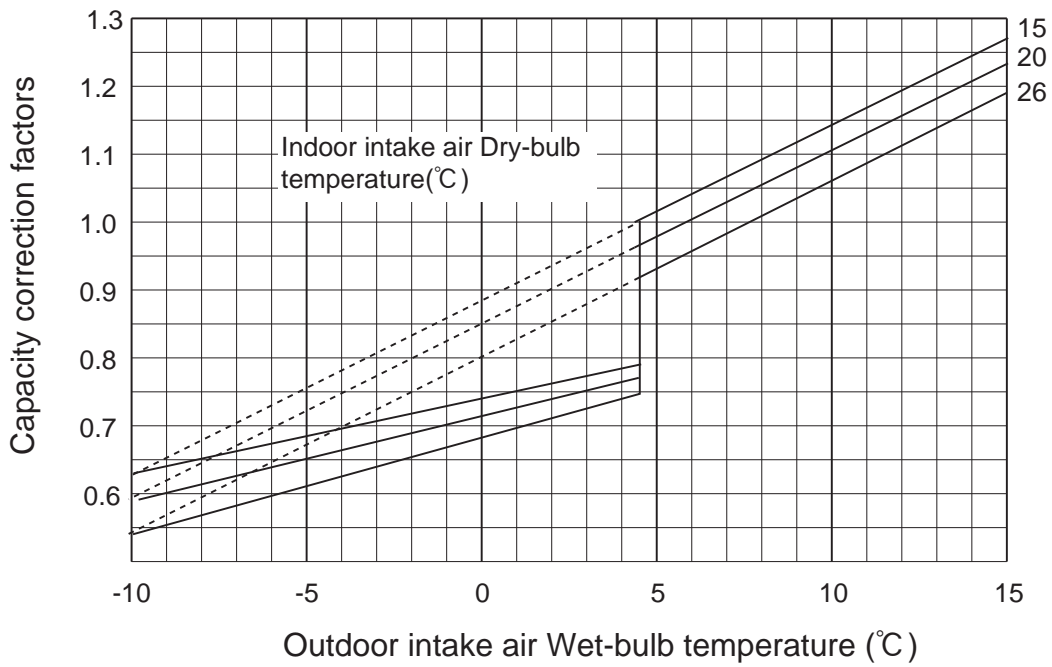


Total input (cooling)

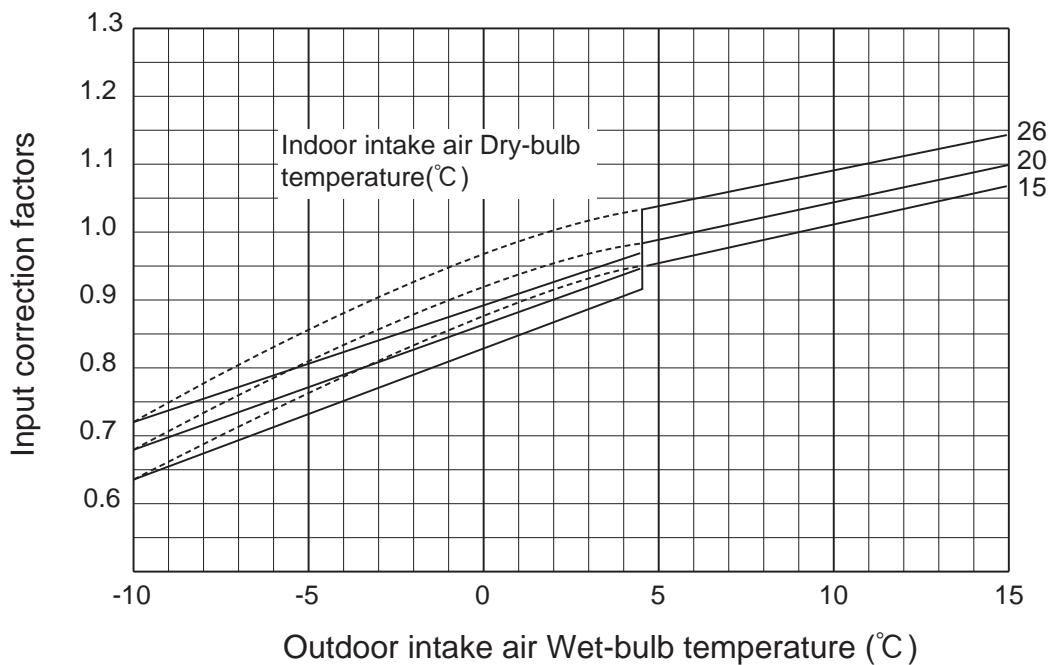




Heating capacity



Total inputting (heating)



NOTE: The above curves are for the heating operation without any frost.

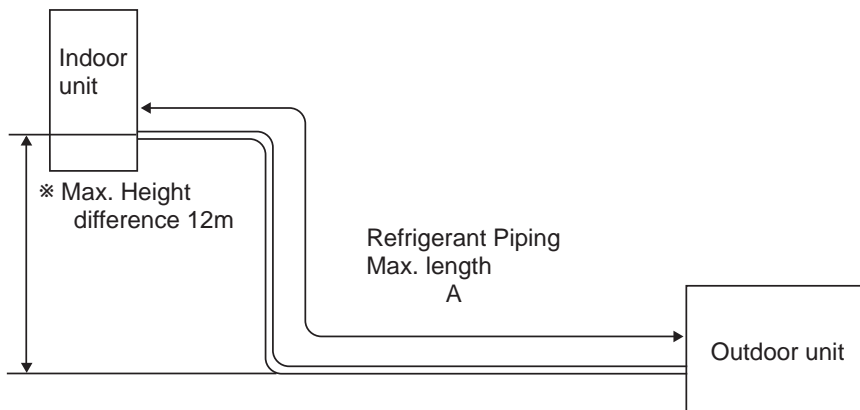
7 APPLICABLE EXTENSION PIPE FOR EACH MODEL

SUZ-KA25VA SUZ-KA25VAH
 SUZ-KA35VA SUZ-KA35VAH

MAX. REFRIGERANT PIPING LENGTH

Models	Refrigerant piping Max. length : m A	Piping size O.D : mm	
		Gas	Liquid
SUZ-KA25VA SUZ-KA35VA SUZ-KA25VAH SUZ-KA35VAH	20	9.52	6.35

MAX. HEIGHT DIFFERENCE



* Height difference should be within 12m regardless of which unit, indoor or outdoor position is high.

ADDITIONAL REFRIGERANT CHARGE (R410A:g)

Models	Outdoor unit precharged	Refrigerant piping length (one way)											
		5m	6m	7m	8m	9m	10m	11m	12m	13m	14m	15m	20m
SUZ-KA25VA SUZ-KA25VAH	900	0	0	0	90	120	150	180	210	240	270	300	450
SUZ-KA35VA SUZ-KA35VAH	1,050	0	0	0	90	120	150	180	210	240	270	300	450

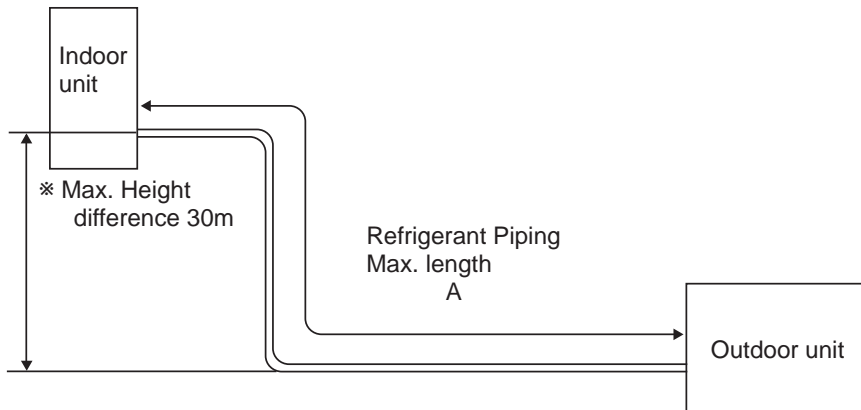
Calculation : $Xg=30g/m \times (\text{Refrigerant piping length(m)} - 5)$

**SUZ-KA50VA
SUZ-KA60VA
SUZ-KA71VA**

MAX. REFRIGERANT PIPING LENGTH

Model	Refrigerant piping Max. length : m A	Piping size O.D : mm	
		Gas	Liquid
SUZ-KA50VA	30	12.7	6.35
SUZ-KA60VA		15.88	
SUZ-KA71VA			9.52

MAX. HEIGHT DIFFERENCE



※ Height difference should be within 30m regardless of which unit, indoor or outdoor position is high.

ADDITIONAL REFRIGERANT CHARGE(R410A : g)

Model	Outdoor unit precharged	Refrigerant piping length (one way)					
		7m	10m	15m	20m	25m	30m
SUZ-KA50VA	1,600	0	60	160	260	360	460
SUZ-KA60VA	1,800	0	60	160	260	360	460

Calculation : $Xg=20g/m \times (\text{Refrigerant piping length (m)}-7)$

Model	Outdoor unit precharged	Refrigerant piping length (one way)					
		7m	10m	15m	20m	25m	30m
SUZ-KA71VA	2,000	0	165	440	715	990	1,265

Calculation : $Xg=55g/m \times (\text{Refrigerant piping length(m)}-7)$

8

AIR FLOW DATA

8-1. OUTLET AIR SPEED AND COVERAGE RANGE

		MFZ-KA25VA	MFZ-KA35VA	MFZ-KA50VA
Air flow	m ³ /min.	8.7	9.1	10.7
Air speed	m/sec.	1.8	1.9	2.2
Coverage range	m	5.1	5.3	6.2

		SLZ-KA25VA SLZ-KA25VAL	SLZ-KA35VA SLZ-KA35VAL	SLZ-KA50VA SLZ-KA50VAL
Air flow	m ³ /min.	10	11	11
Air speed	m/sec.	3.4	3.7	3.7
Coverage range	m	3.7	4.1	4.1

		PLA-RP35BA	PLA-RP50BA	PLA-RP60BA	PLA-RP71BA
Air flow	m ³ /min.	15	18	18	21
Air speed	m/sec.	2.6	3.2	3.2	3.7
Coverage range	m	4.1	4.8	4.8	5.6

		PLA-RP35AA	PLA-RP50AA	PLA-RP60AA	PLA-RP71AA
Air flow	m ³ /min.	14	18	18	20
Air speed	m/sec.	2.8	3.6	3.6	4.0
Coverage range	m	4.0	5.2	5.2	5.7

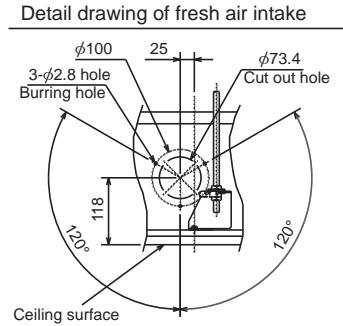
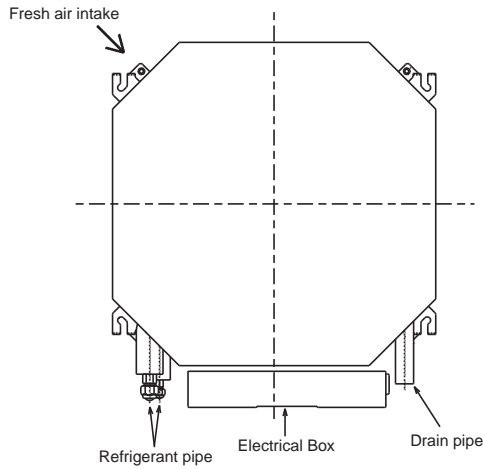
		PCA-RP50GA	PCA-RP50GA2	PCA-RP60GA	PCA-RP71GA
Air flow	m ³ /min	13	18	18	18
Air speed	m/sec	3.7	3.8	3.8	3.8
Coverage range	m	8.8	10.4	10.4	10.4

* The air coverage range is the distance to which the 0.25m/sec air can reach, when air is blown out horizontally from the unit at the High notch position.
The coverage range should be used only as a general guideline since it varies according to the size of the room and the furniture inside the room.

8-2. SLZ-KA•VA SLZ-KA•VAL

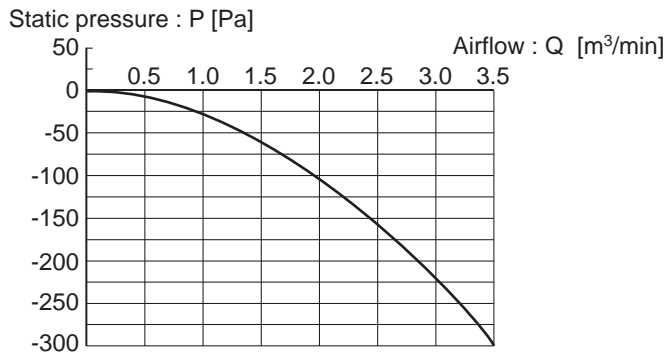
8-2-1. Fresh air intake (Location for installation)

At the time of installation, use the duct holes (cut out) located at the positions shown in following diagram, as and when required.



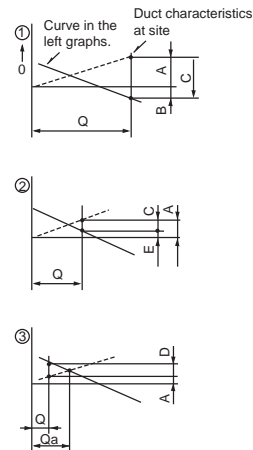
8-2-2. Fresh air intake amount & static pressure characteristics

Taking air into the unit



NOTE: Fresh air intake amount should be 20% or less of whole air amount to prevent dew dripping.

How to read curves

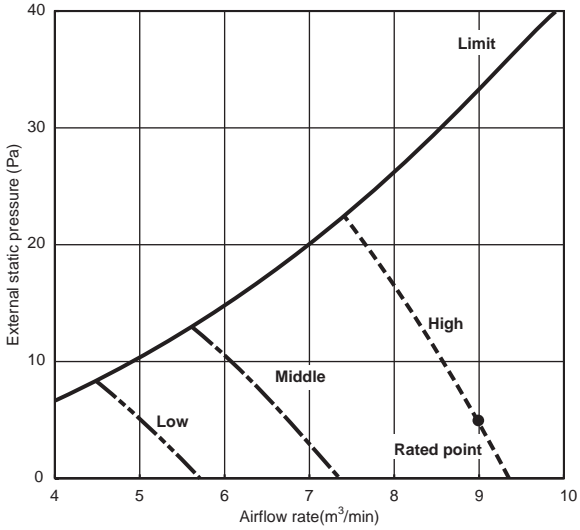


- Q...Designed amount of fresh air intake <m³/min>
- A...Static pressure loss of fresh air intake duct system with airflow amount Q <Pa>
- B...Forced static pressure at air conditioner inlet with airflow amount Q <Pa>
- C...Static pressure of booster fan with airflow amount Q <Pa>
- D...Static pressure loss increase amount of fresh air intake duct system for airflow amount Q <Pa>
- E...Static pressure of indoor unit with airflow amount Q
- Qa...Estimated amount of fresh air intake without D <m³/min>

8-3. SEZ-KD•VA(L) INDOOR FAN PERFORMANCE AND CORRECTED AIR FLOW

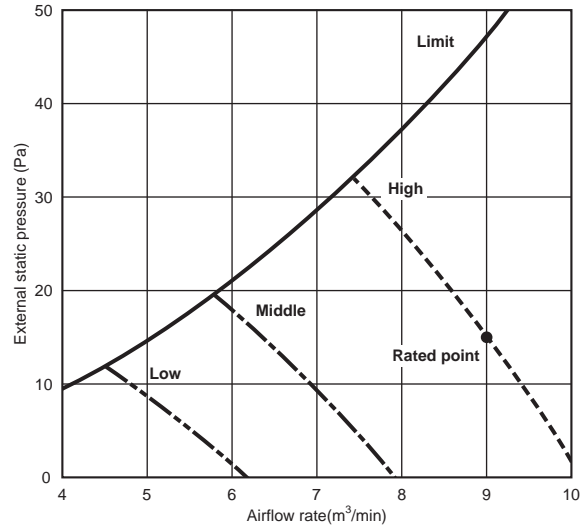
SEZ-KD25VA(L)

(External static pressure 5Pa) 220-240V 50/60Hz



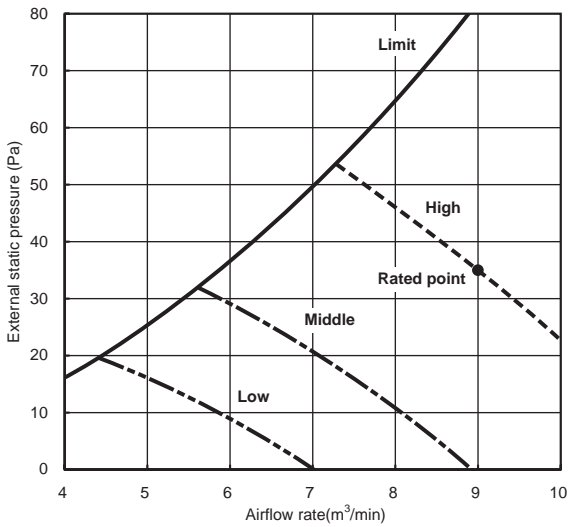
SEZ-KD25VA(L)

(External static pressure 15Pa) 220-240V 50/60Hz



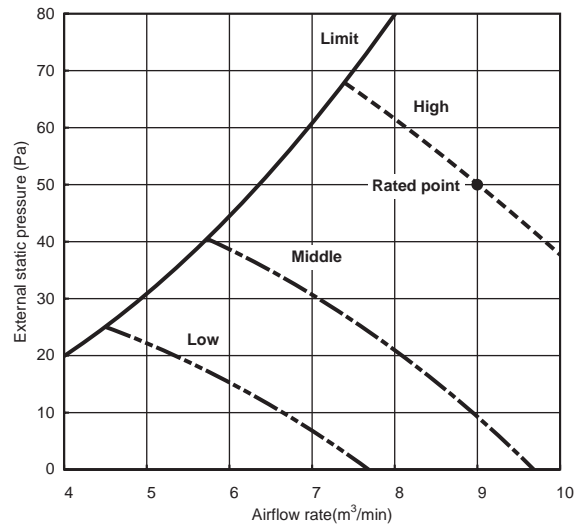
SEZ-KD25VA(L)

(External static pressure 35Pa) 220-240V 50/60Hz



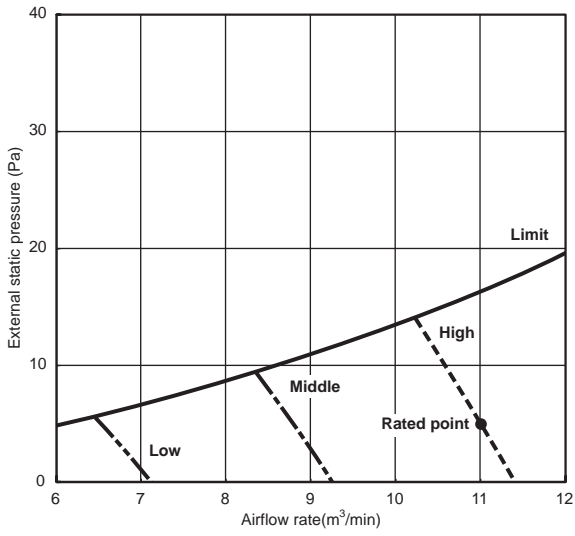
SEZ-KD25VA(L)

(External static pressure 50Pa) 220-240V 50/60Hz



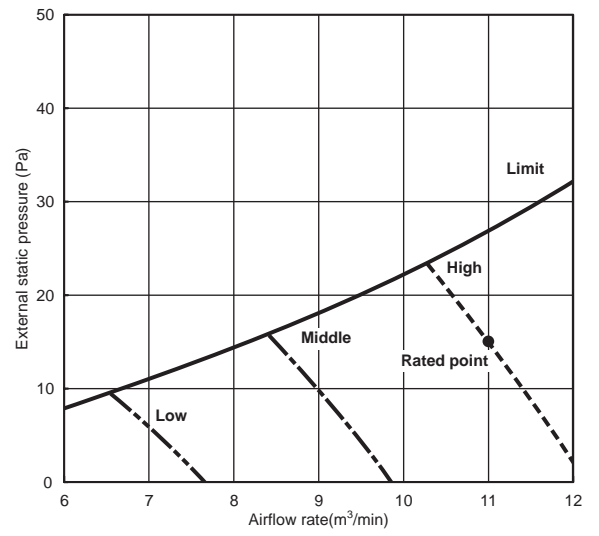
SEZ-KD35VA(L)

(External static pressure 5Pa) 220-240V 50/60Hz



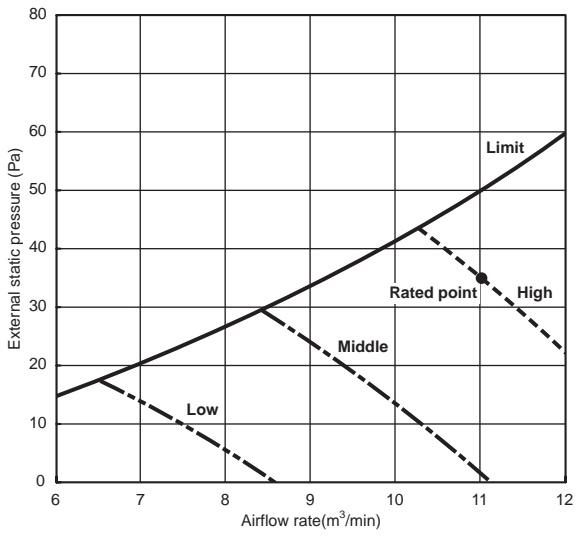
SEZ-KD35VA(L)

(External static pressure 15Pa) 220-240V 50/60Hz



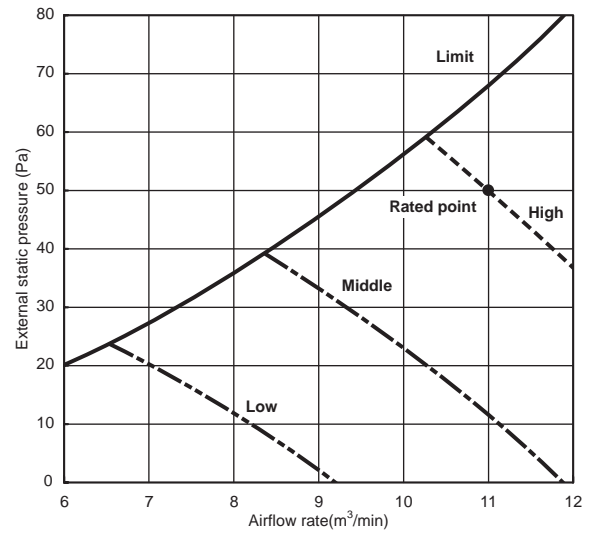
SEZ-KD35VA(L)

(External static pressure 35Pa) 220-240V 50/60Hz



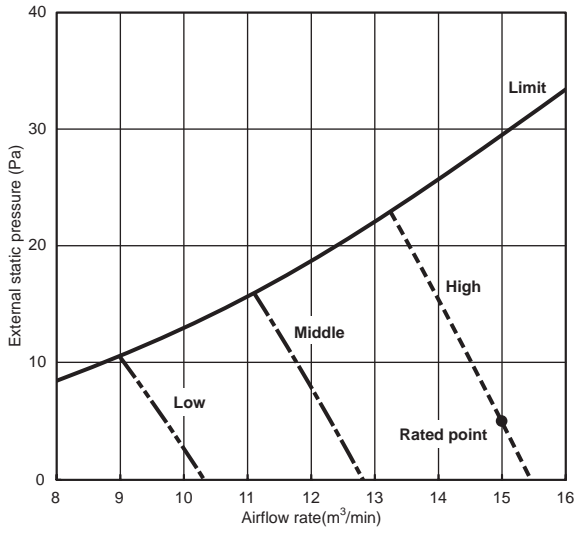
SEZ-KD35VA(L)

(External static pressure 50Pa) 220-240V 50/60Hz



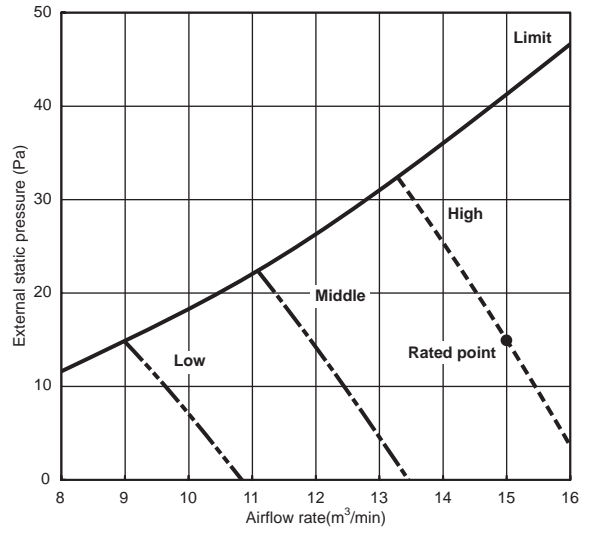
SEZ-KD50VA(L)

(External static pressure 5Pa) 220-240V 50/60Hz



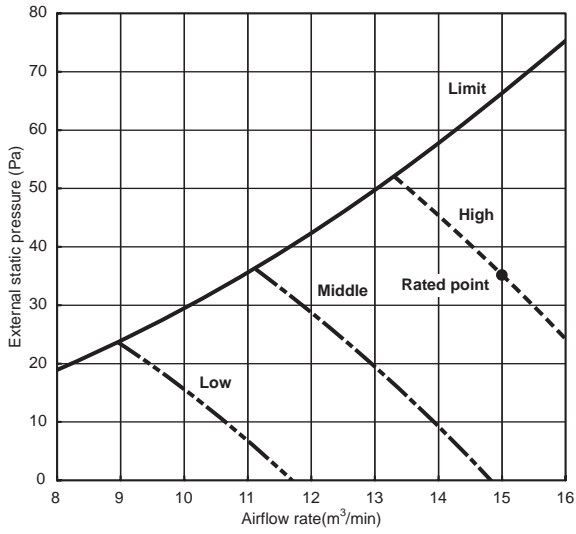
SEZ-KD50VA(L)

(External static pressure 15Pa) 220-240V 50/60Hz



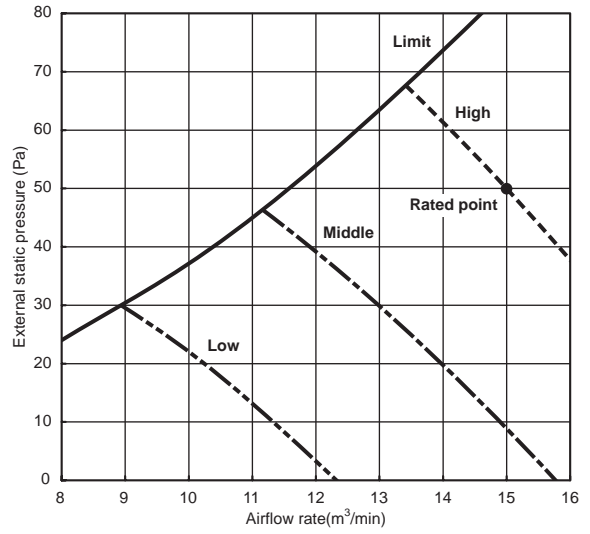
SEZ-KD50VA(L)

(External static pressure 35Pa) 220-240V 50/60Hz



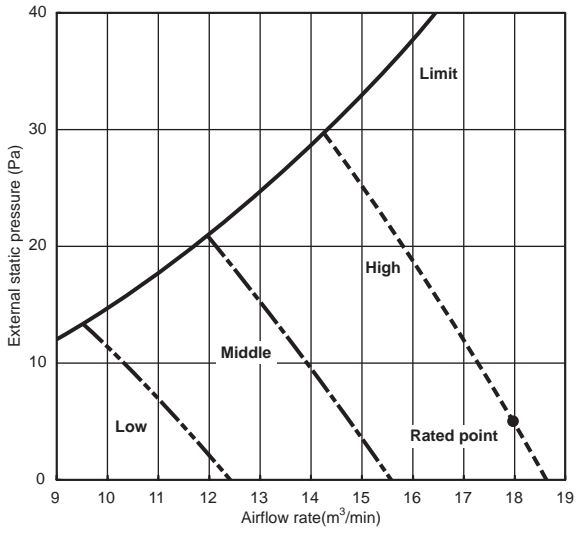
SEZ-KD50VA(L)

(External static pressure 50Pa) 220-240V 50/60Hz



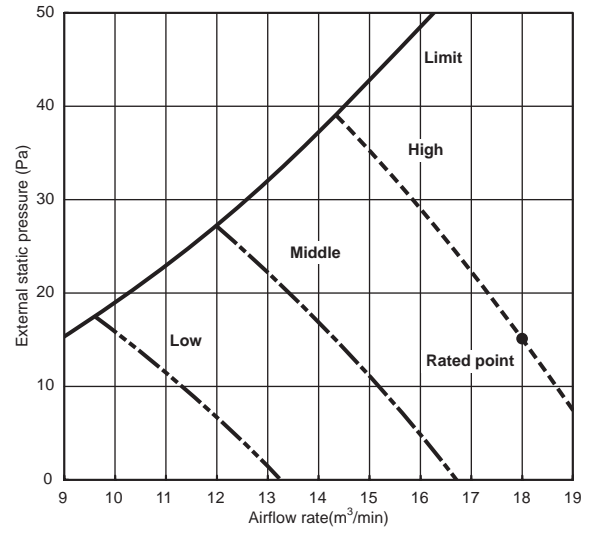
SEZ-KD60VA(L)

(External static pressure 5Pa) 220-240V 50/60Hz



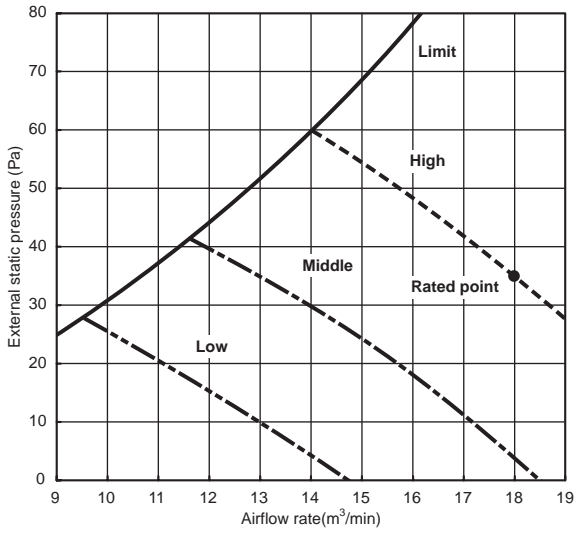
SEZ-KD60VA(L)

(External static pressure 15Pa) 220-240V 50/60Hz



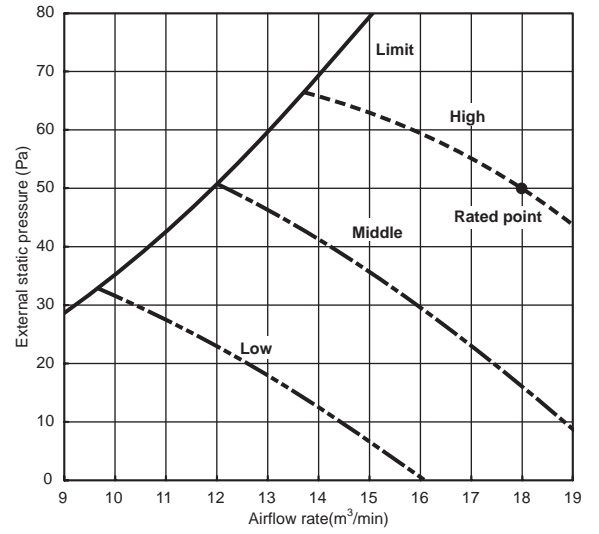
SEZ-KD60VA(L)

(External static pressure 35Pa) 220-240V 50/60Hz



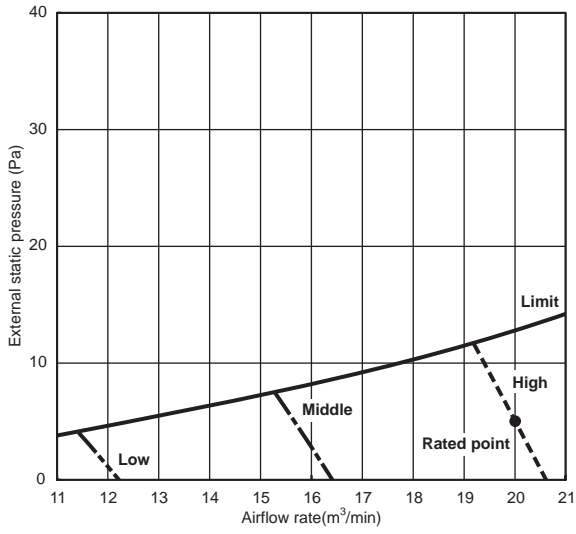
SEZ-KD60VA(L)

(External static pressure 50Pa) 220-240V 50/60Hz



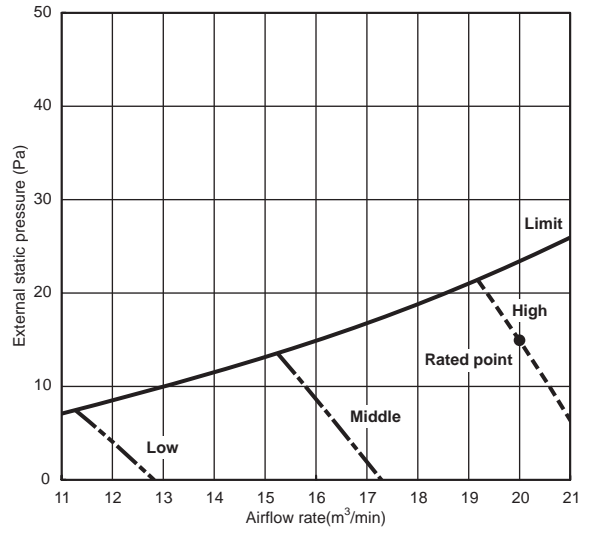
SEZ-KD71VA(L)

(External static pressure 5Pa) 220-240V 50/60Hz



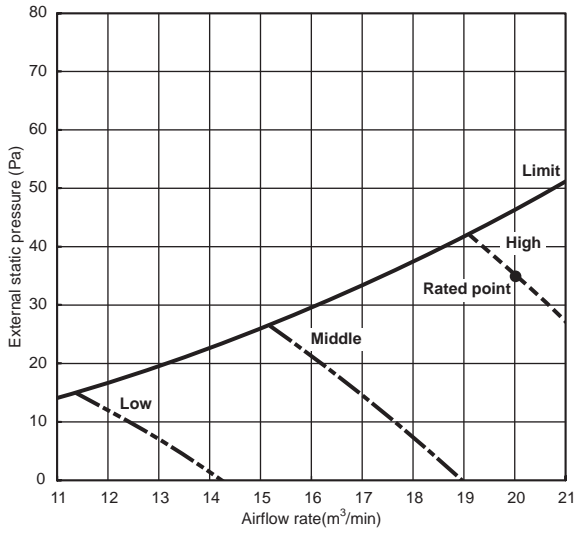
SEZ-KD71VA(L)

(External static pressure 15Pa) 220-240V 50/60Hz



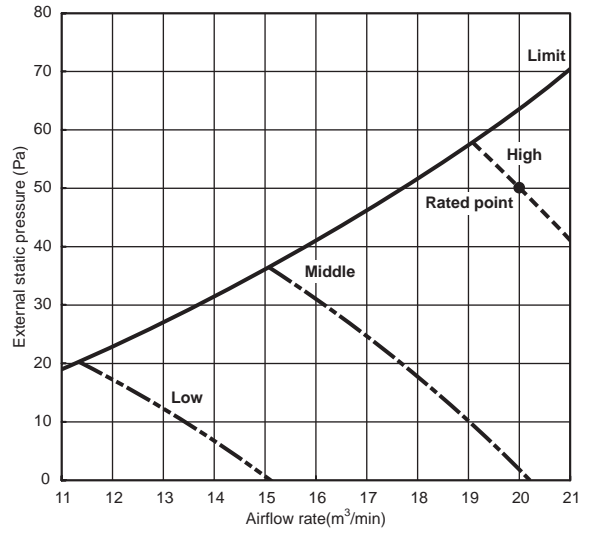
SEZ-KD71VA(L)

(External static pressure 35Pa) 220-240V 50/60Hz



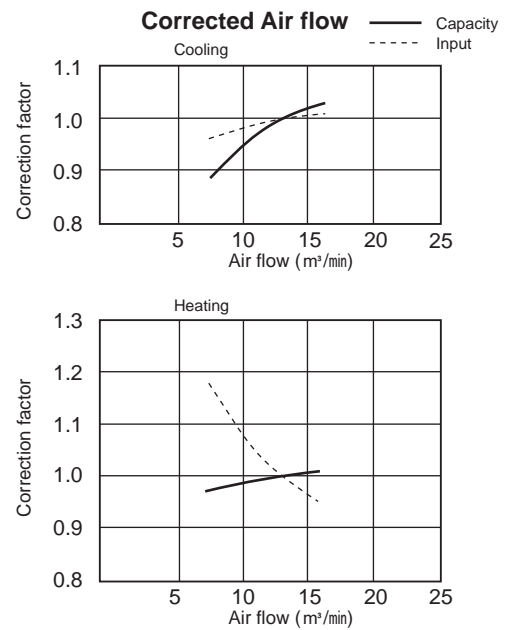
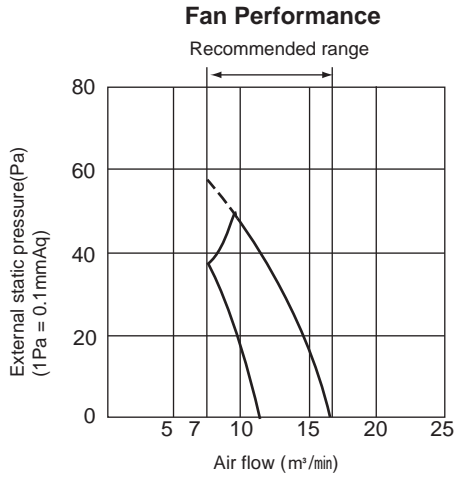
SEZ-KD71VA(L)

(External static pressure 50Pa) 220-240V 50/60Hz

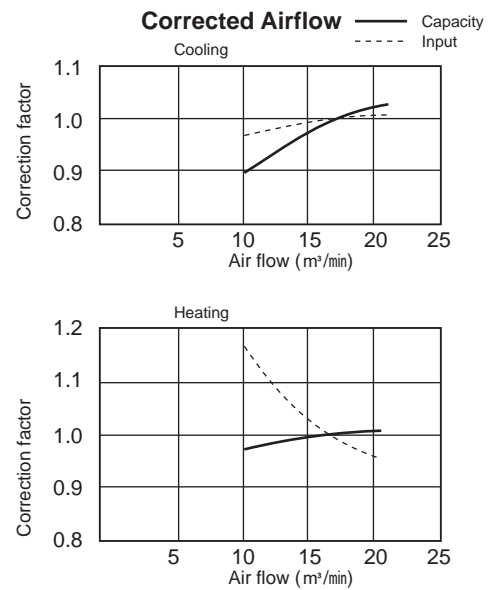
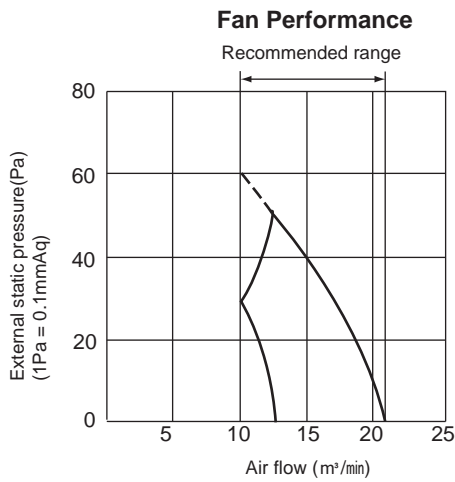


8-4. SEZ-KA•VA INDOOR FAN PERFORMANCE AND CORRECTED AIR FLOW

SEZ-KA35VA



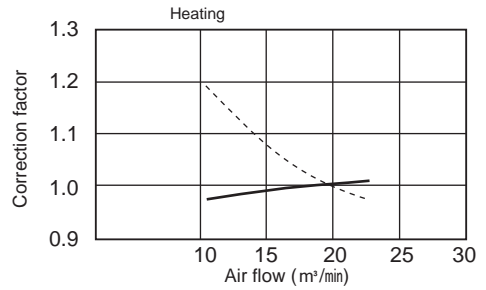
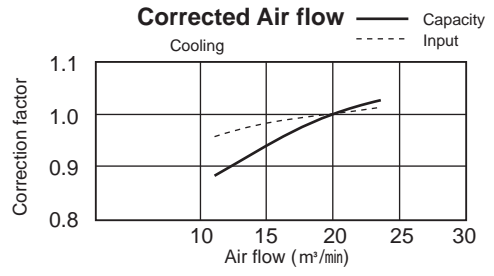
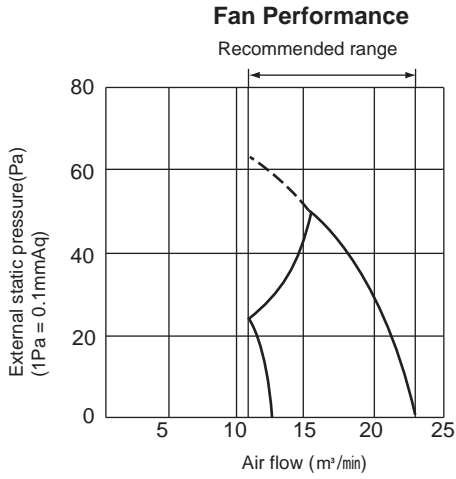
SEZ-KA50VA



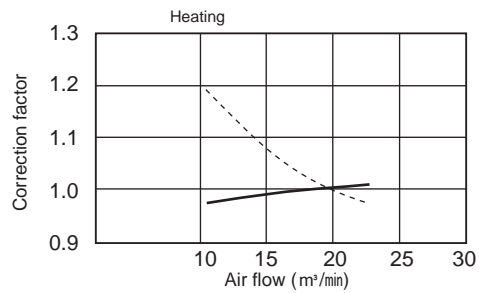
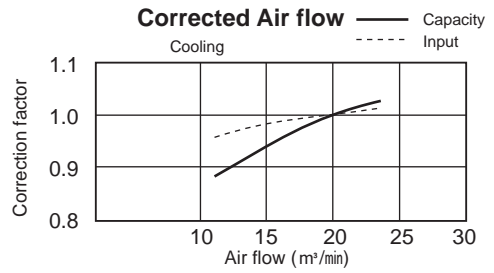
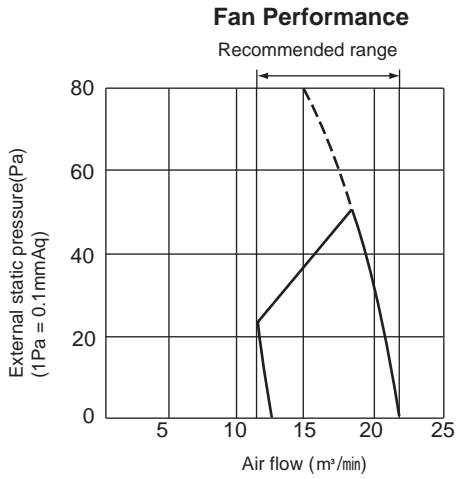


INDOOR FAN PERFORMANCE AND CORRECTED AIR FLOW

SEZ-KA60VA



SEZ-KA71VA



8-5. PLA-RP-BA

8-5-1 FRESH AIR INTAKE AND BRANCH DUCT

1. Branch duct hole and fresh air intake hole (Fig. 1)

At the time of installation, use the duct holes (cut out) located at the positions shown in Fig.1, as and when required.

- A fresh air intake hole for the optional multi function casement can also be made.

Note:

The figure marked with * in the drawing represent the dimensions of the main unit excluding those of the optional multi function casement.

When installing the optional multi function casement, add 135 mm to the dimensions marked on the figure.

When installing the branch ducts, be sure to insulate adequately.

Otherwise condensation and dripping may occur.

Unit : mm

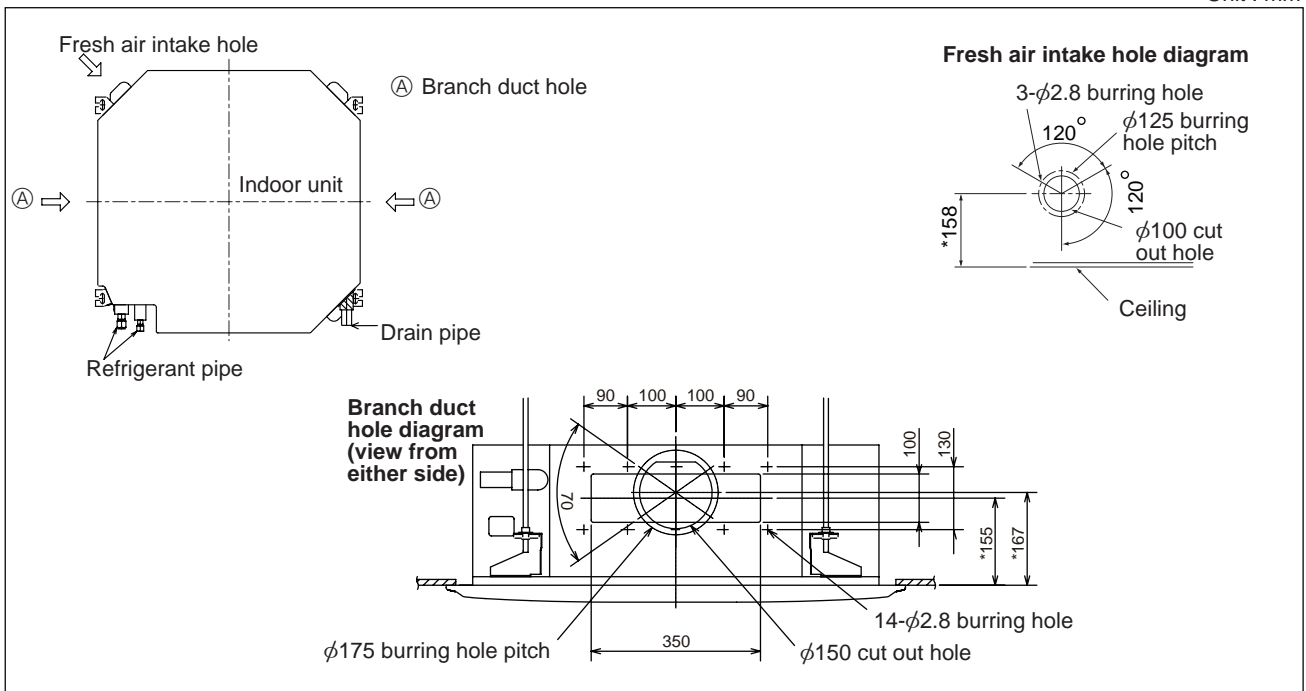
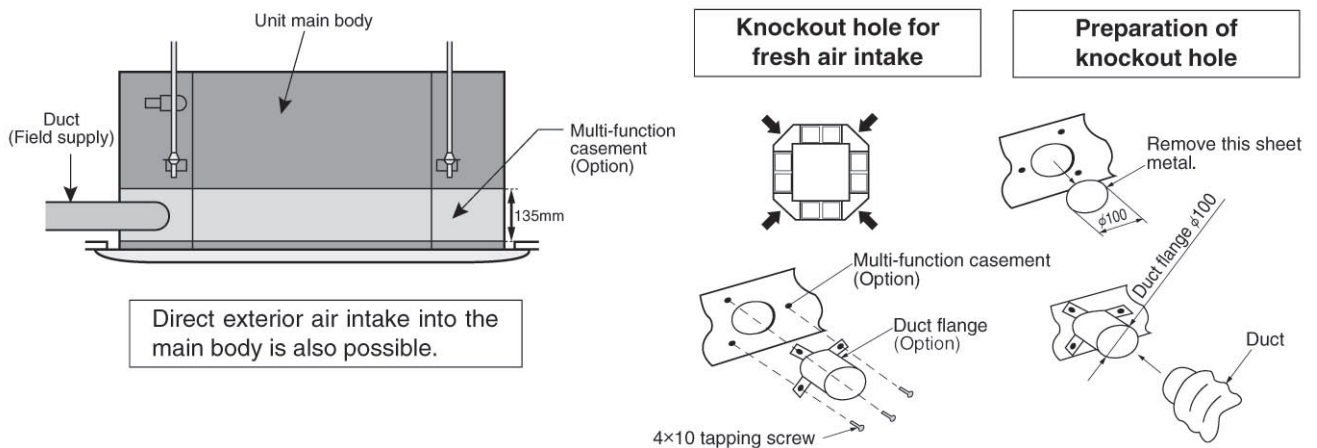


Fig. 1

2. Fresh air intake (Installation at site)

- By mounting the optional multi-function casement to the indoor unit main body, and mounting the duct and duct flange (option) onto it further, fresh exterior air intake can be accomplished.

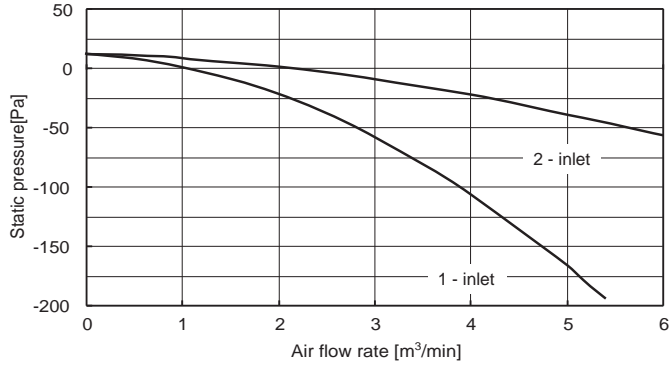
(The mounting of the multi-function casement increases the height of the ceiling plenum by 135mm.)



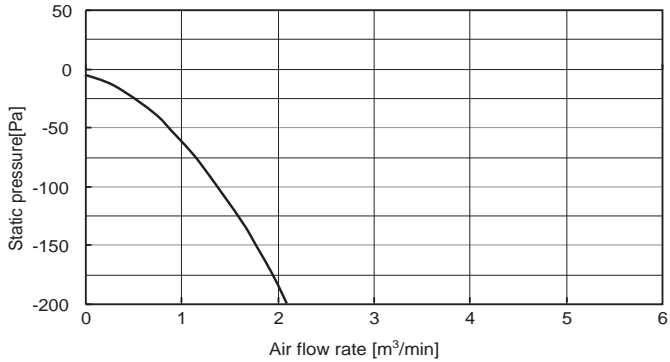
3. Fresh air intake volume & static pressure characteristics

PLA-RP35~71BA

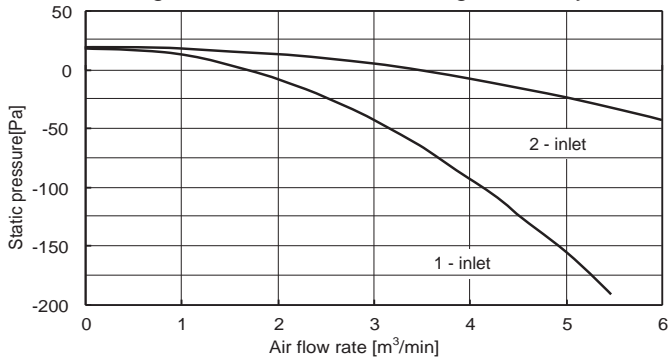
① At using multi-function casement, standard filter



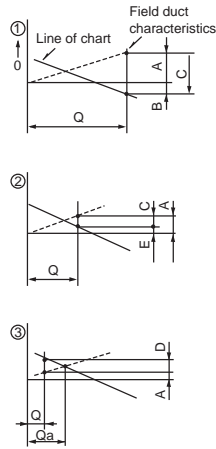
② Direct intake to unit



③ At using multi-function casement, high efficiency filter



How to read the chart



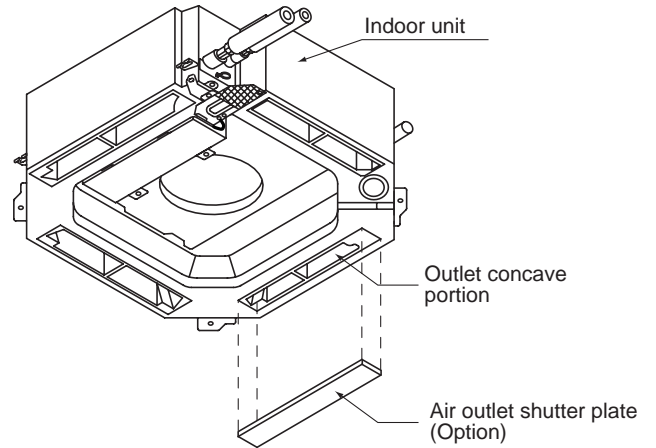
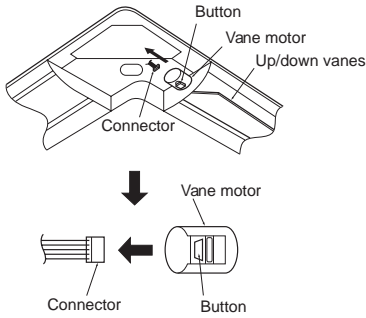
- Q...Design fresh air intake volume $\langle m^3/min \rangle$
- A...Static pressure loss [Pa] of fresh air intake duct at airflow rate of Q
- B...Required boost pressure [Pa] of air conditioner inlet at airflow rate of Q
- C...Required static pressure [Pa] of booster fan at airflow rate of Q
- D...Required compensation [Pa] for static pressure loss of fresh air intake duct to make airflow rate Q
- E...Static pressure [Pa] of indoor unit at airflow rate of Q
- Qa...Estimated fresh air intake $[m^3/min]$ without compensation of D

4. Change of outlet numbers

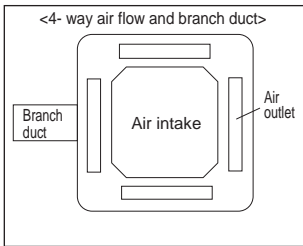
[The optional air outlet is necessary.]

To change the air outlet number to 3-, or 2-way outlet, the outlet number should be closed with the operational air outlet shutter.

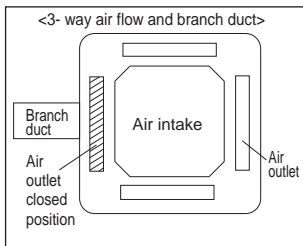
(When the air outlets are closed, close the vane by removing the vane connector.)



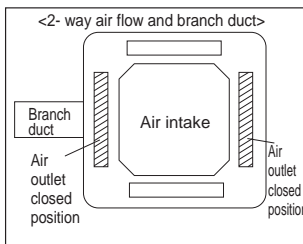
5. Branch duct and change of outlet numbers



※ Branch duct should be connected to one of the branch duct holes on the main unit.



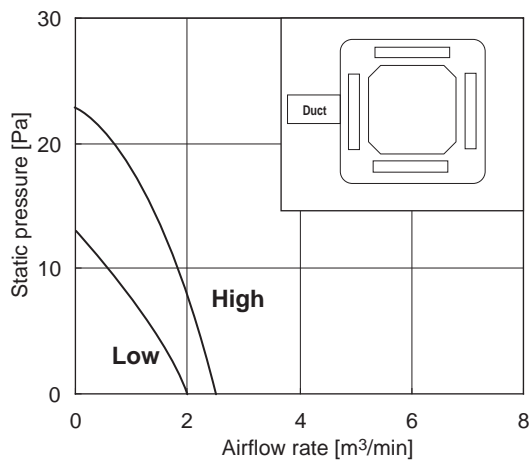
※ Close the outlet on the side of branch duct and air flows in 3 directions.



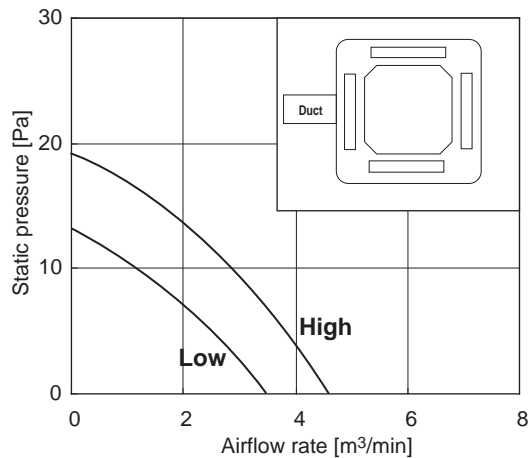
※ The outlet on the side of branch duct and one of the other outlets are closed. Air flows in 2 directions.

PLA-RP71BA

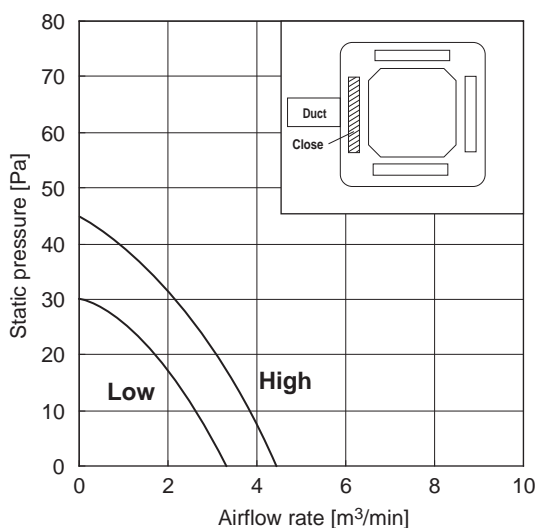
● 4-way airflow (horizontal vane) Round duct



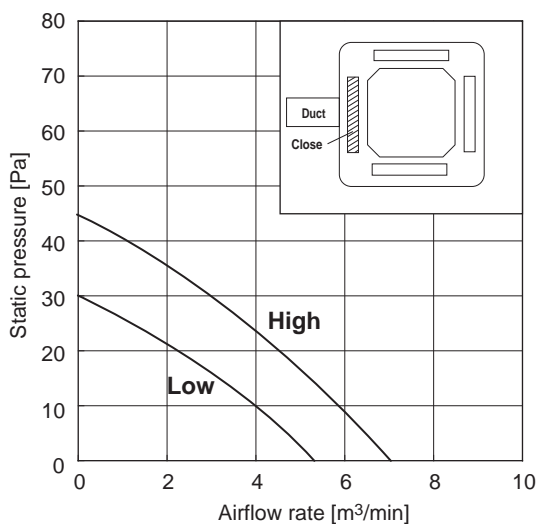
● 4-way airflow (horizontal vane) Rectangular duct



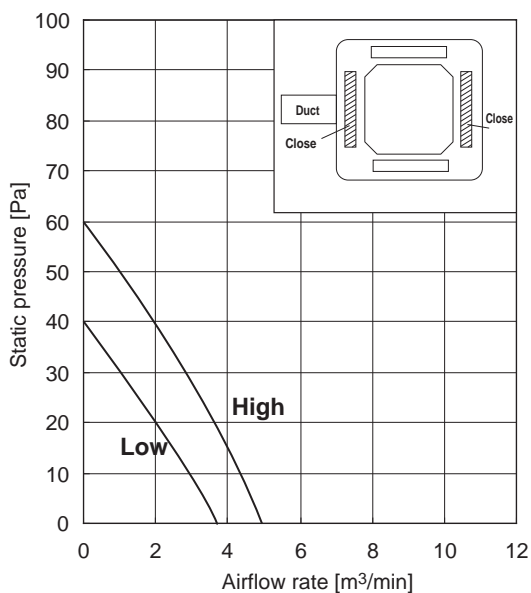
● 3-way airflow (horizontal vane) Round duct



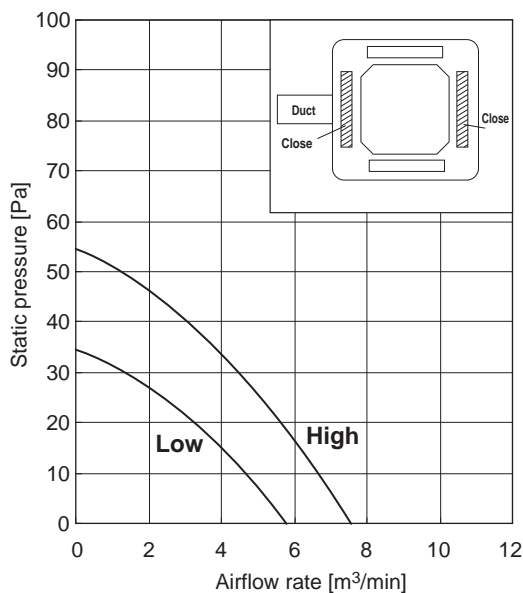
● 3-way airflow (horizontal vane) Rectangular duct



● 2-way airflow (horizontal vane) Round duct



● 2-way airflow (horizontal vane) Rectangular duct



- Use 1 of the 2 duct holes on the indoor unit.
- Air flow rate of PLA-RP35~60BA can be calculated from the airflow rate based on the characteristic of the duct for PLA-RP71BA.
- Use the optional air outlet shutter plate (PAC-SH51SP-E) for 3-way and 2-way air flow.

8-6. PLA-RP-AA

8-6-1. Fresh air intake amount

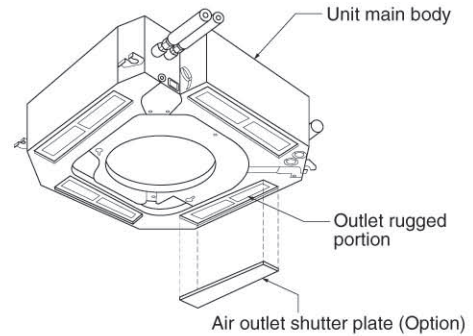
1. Adjusting the width of the air outlets

● Change of outlet numbers

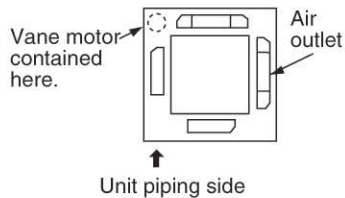
[The optional air outlet shutter is necessary.]

To change the air outlet numbers to 3-, or 2-way outlet, the outlets should be closed with the optional air outlet shutter.

When the air outlets are closed, close the vane by removing the vane connector.



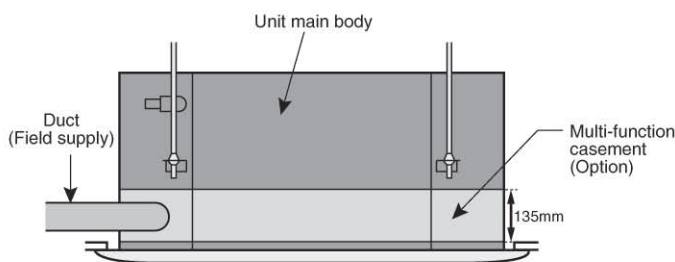
- For the portion to be cut (V-shaped groove), see the figure below (as seen from the rear of the panel).



2. Fresh air intake (Installation of site)

- By mounting the optional multi-function casement to the indoor unit main body, and mounting the duct and duct flange (field supply) onto it further, fresh exterior air intake can be accomplished.

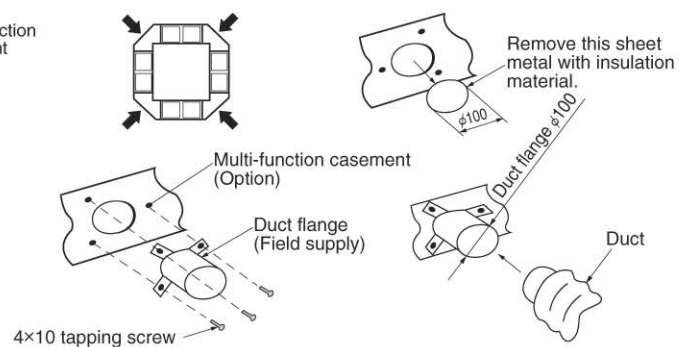
(The mounting of the multi-function casement increases the height of the ceiling plenum by 135mm.)



Direct exterior air intake into the main body is also possible.

Knockout hole for fresh air intake

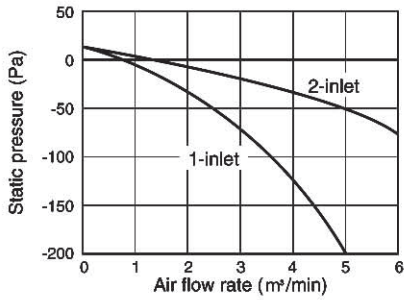
Preparation of knockout hole



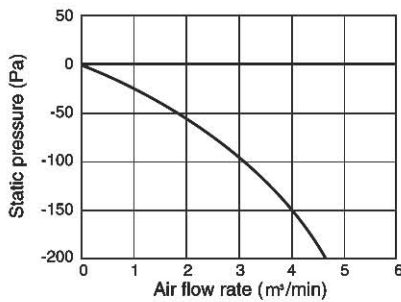
3. Fresh air intake volume & static pressure characteristics

① PLA-RP71AA

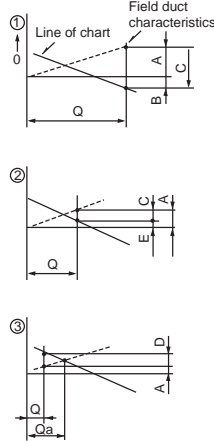
(at using of multi-function casement, standard filter)



② PLA-RP71AA (Direct intake to unit)



How to read the chart



Q...Desig fresh air intake volume $\lt; m^3/min >$

A...Static pressure loss [Pa] of fresh air intake duct at airflow rate of Q

B...Required boost pressure [Pa] of air conditioner inlet at airflow rate of Q

C...Required static pressure [Pa] of booster fan at airflow rate of Q

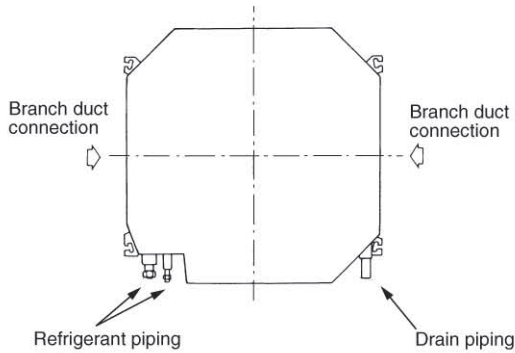
D...Required compensation [Pa] for static prssure loss of fresh air intake duct to make airflow rate Q

E...Static pressure [Pa] of indoor unit at airflow rate of Q

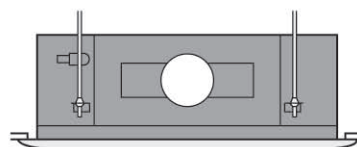
Qa...Estimated fresh air intake [m³/min] without compensation of D

8-5-2. BRANCH DUCT (Installation at site)

To be compatible with both round and rectangular branch ducts, knockout holes are designed to fit to both shapes for flexible on-site installation.

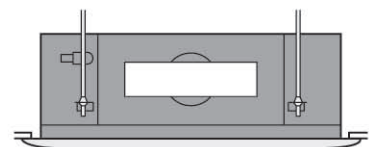


Connecting to round duct



$\phi 150$ cutout for round duct

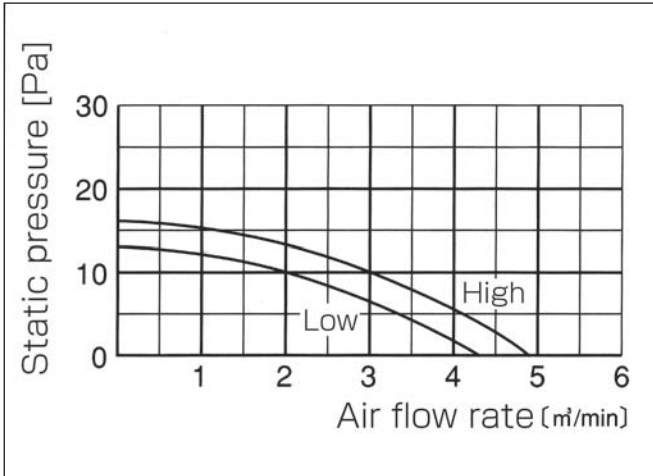
Connecting to rectangular duct



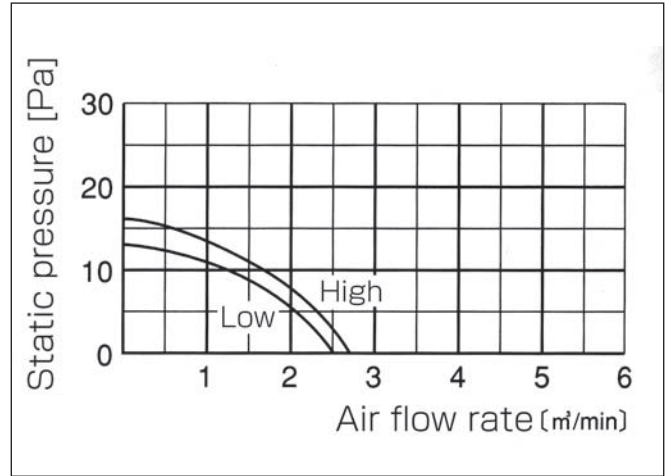
350×100mm cutout for rectangular duct

Branch duct air flow rate/static pressure characteristics
PLA-RP35AA

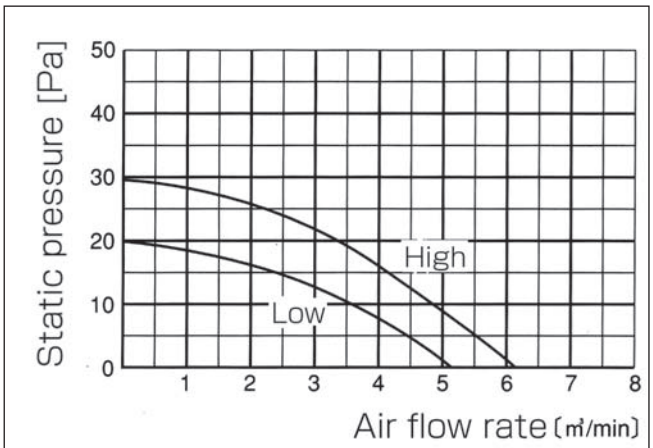
4-way air flow (horizontal vane) Rectangular duct



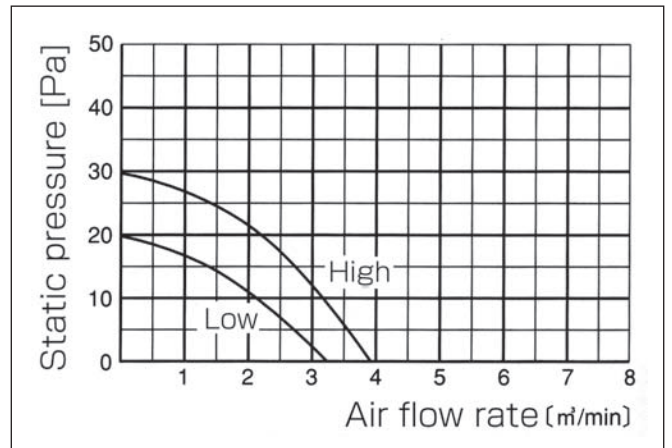
4-way air flow (horizontal vane) Round duct



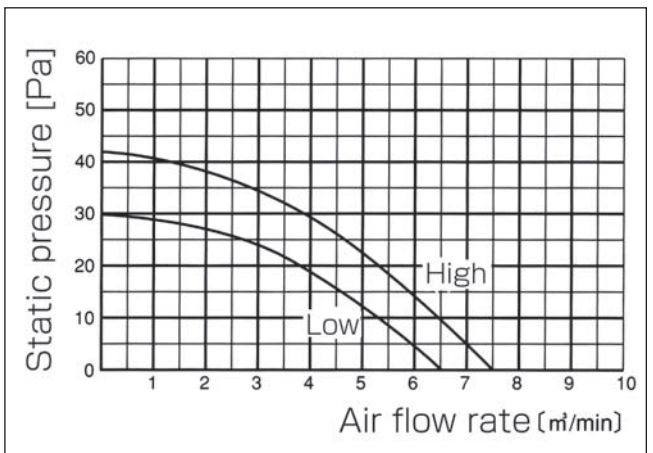
3-way air flow (horizontal vane) Rectangular duct



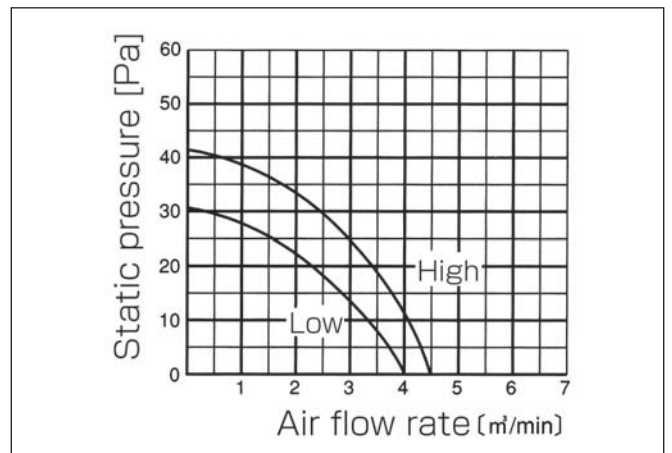
3-way air flow (horizontal vane) Round duct



2-way air flow (horizontal vane) Rectangular duct

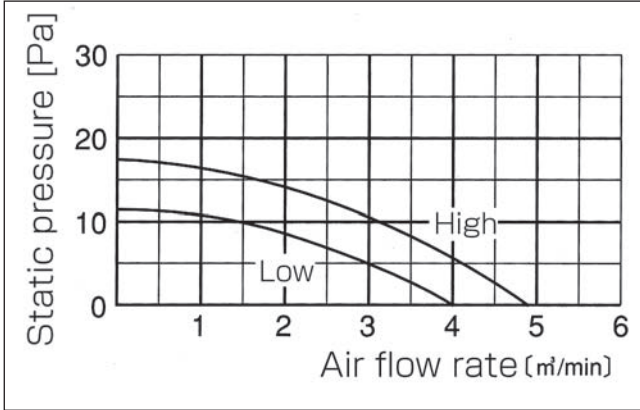


2-way air flow (horizontal vane) Round duct

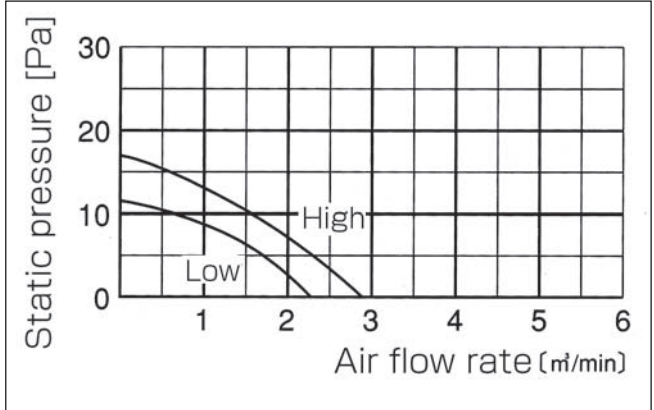


PLA-RP50AA
PLA-RP60AA

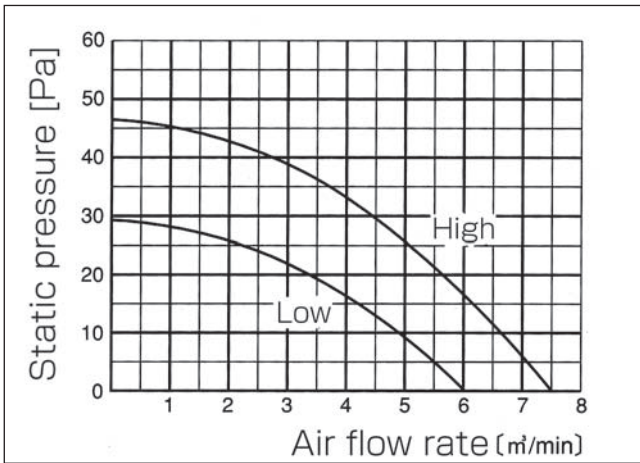
4-way air flow (horizontal vane) Rectangular duct



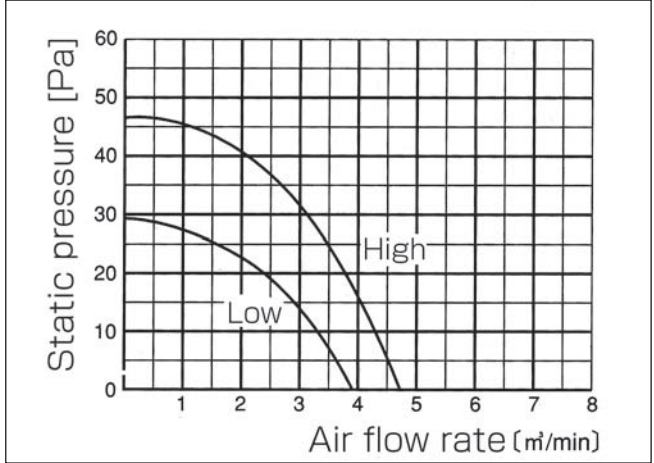
4-way air flow (horizontal vane) Round duct



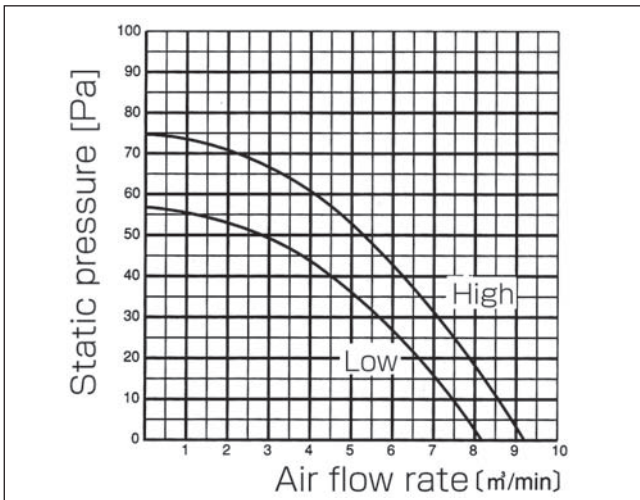
3-way air flow (horizontal vane) Rectangular duct



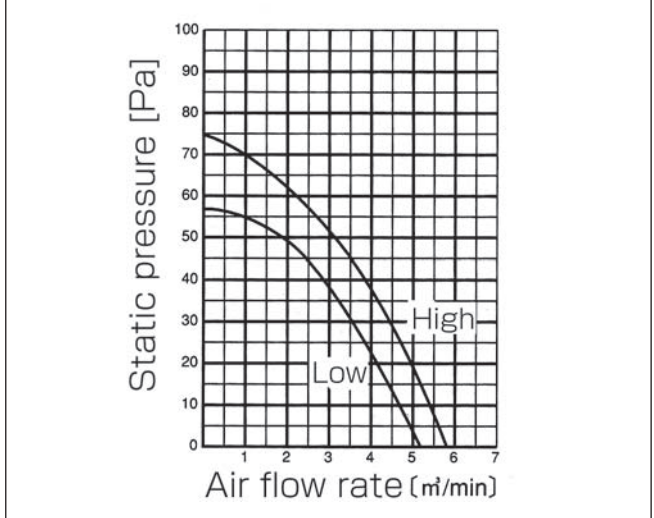
3-way air flow (horizontal vane) Round duct



2-way air flow (horizontal vane) Rectangular duct

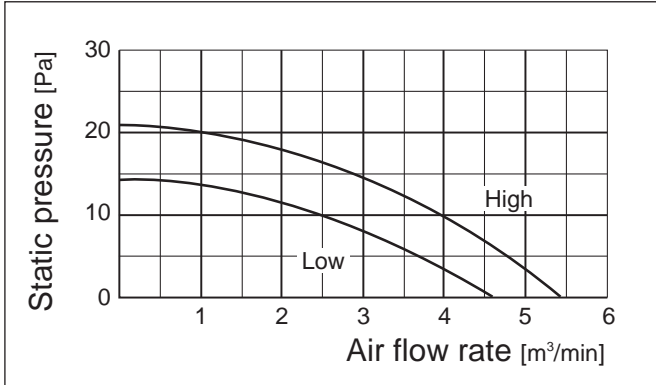


2-way air flow (horizontal vane) Round duct

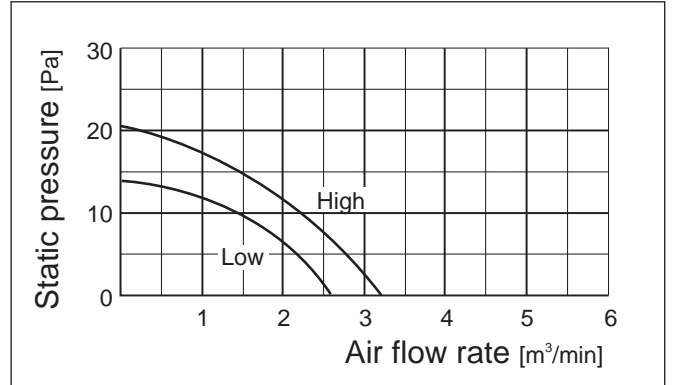


PLA-RP71AA

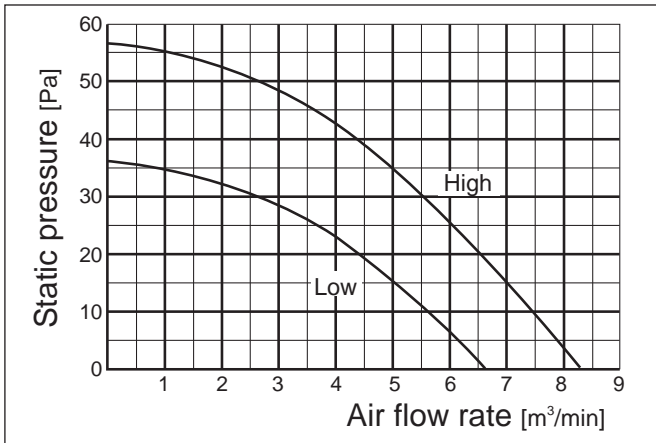
4-way air flow (horizontal vane) Rectangular duct



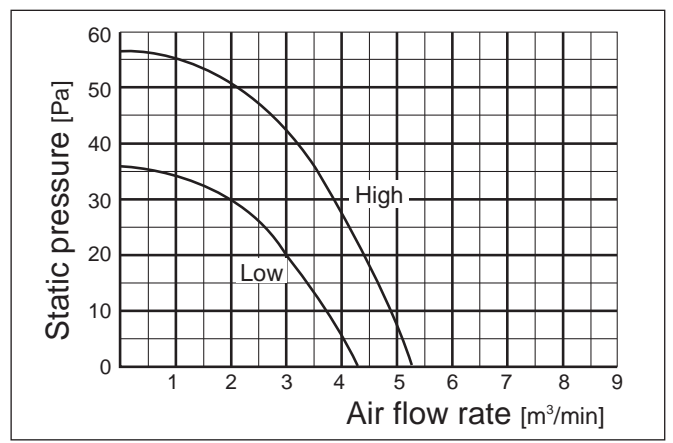
4-way air flow (horizontal vane) Round duct



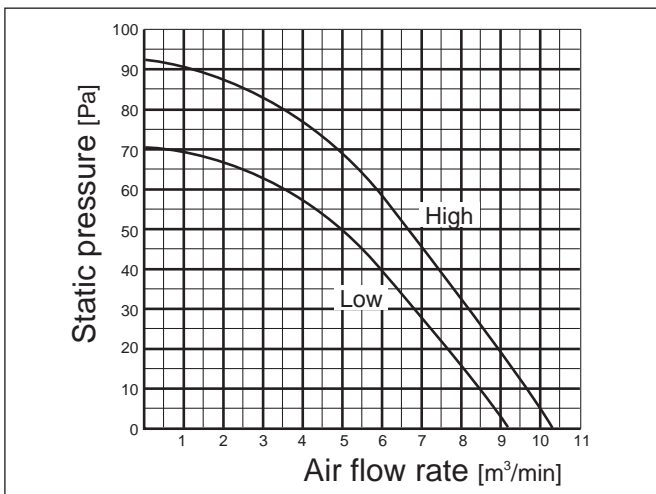
3-way air flow (horizontal vane) Rectangular duct



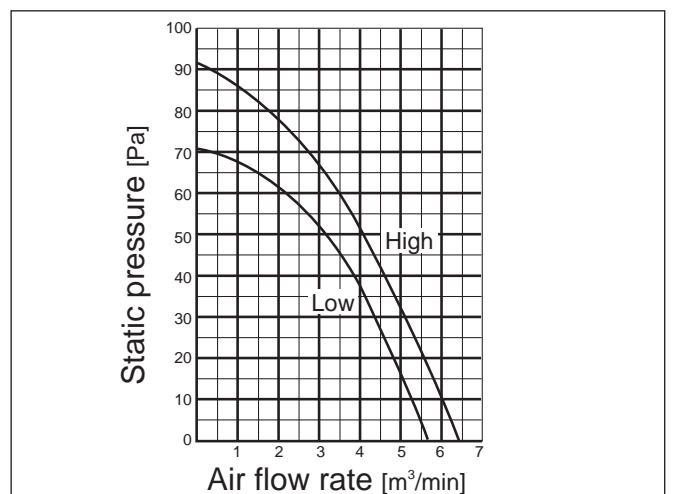
3-way air flow (horizontal vane) Round duct



2-way air flow (horizontal vane) Rectangular duct



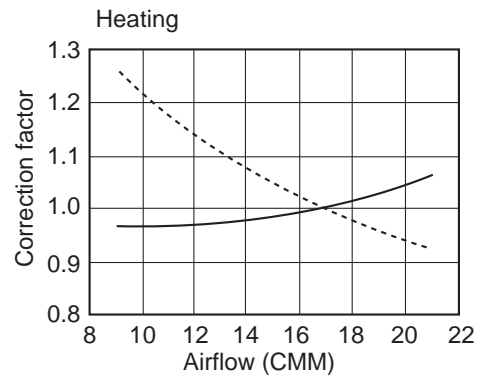
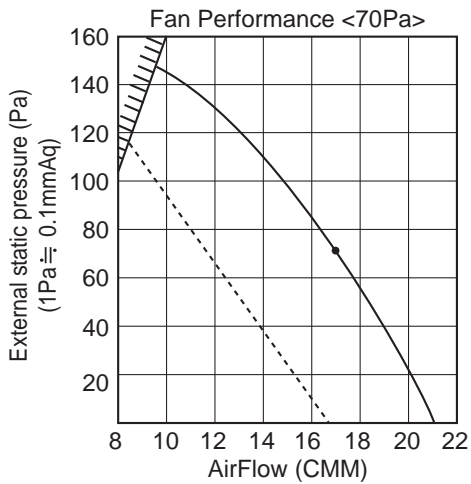
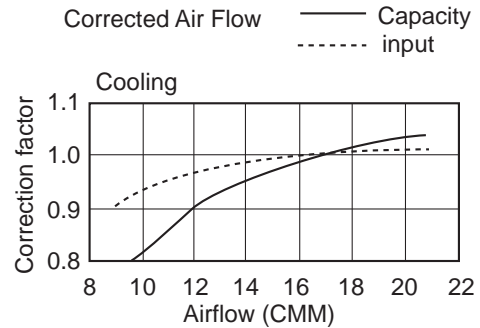
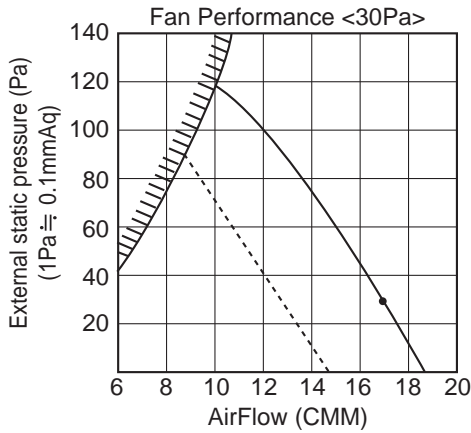
2-way air flow (horizontal vane) Round duct



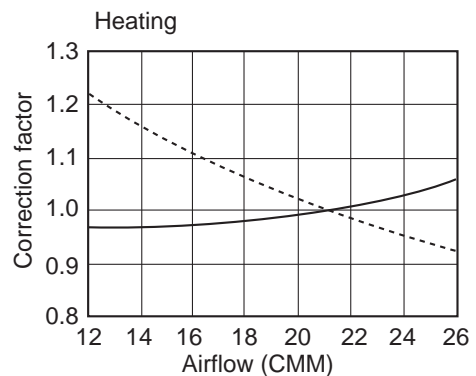
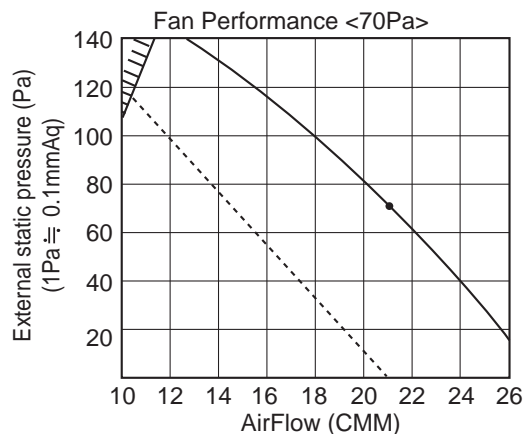
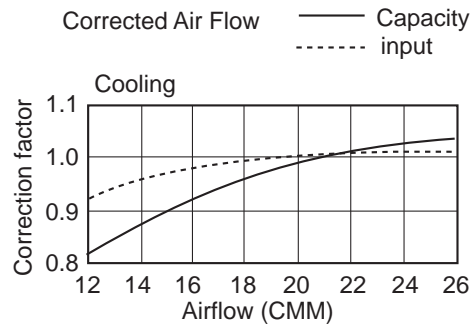
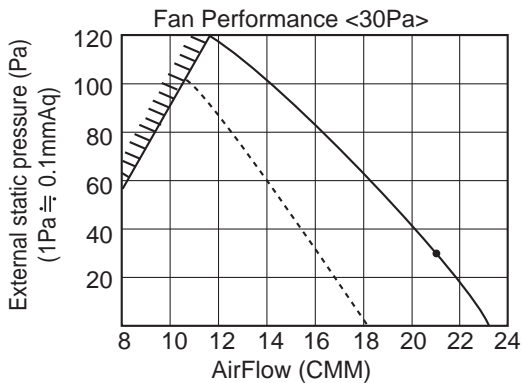
8-7. PEAD-RP-EA, EA2, GA

8-7-1. Fan performance and corrected air flow

PEAD-RP35EA2 PEAD-RP50EA

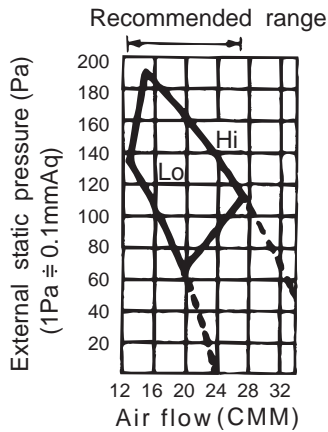


PEAD-RP60EA

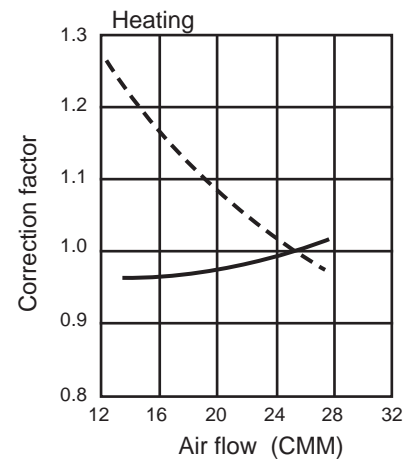
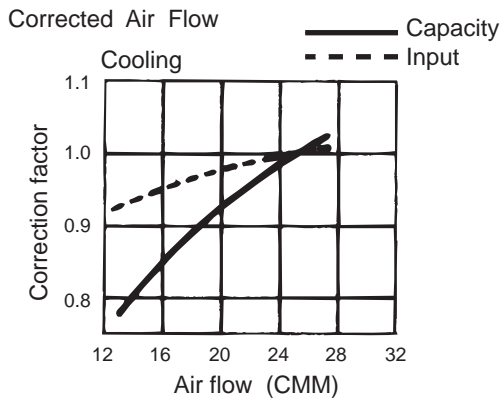
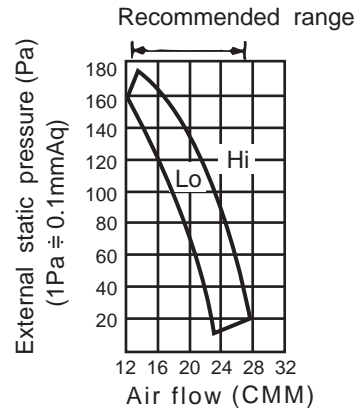


PEAD-RP71EA

Fan performance <130Pa>

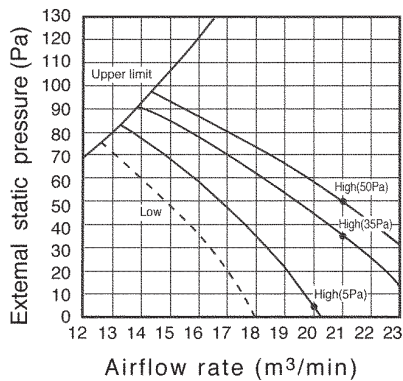


Fan performance <70Pa>

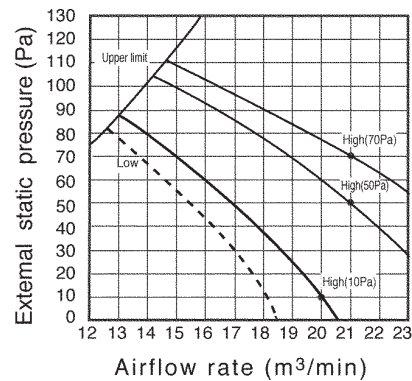


PEAD-RP60GA

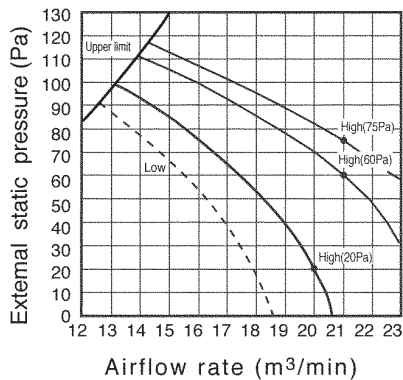
Fan performance <220V>



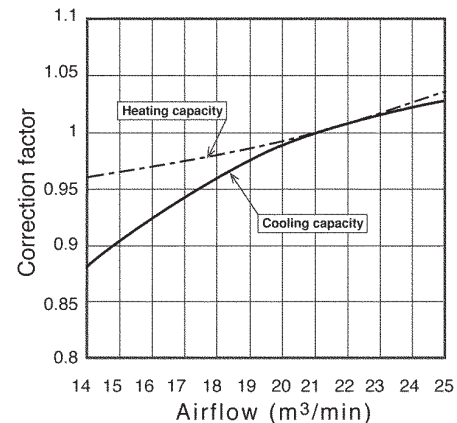
Fan performance <230V>



Fan performance <240V>

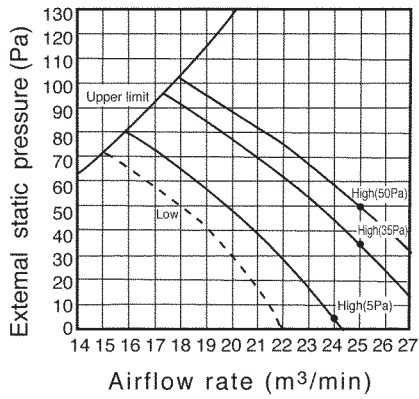


Corrected air flow

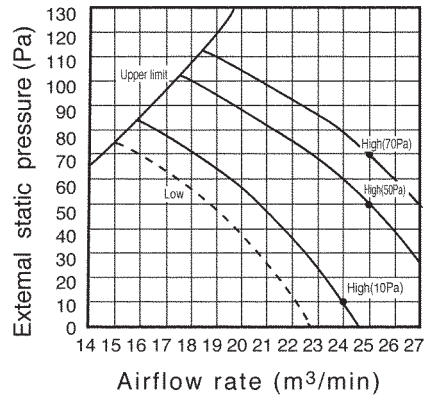


PEAD-RP71GA

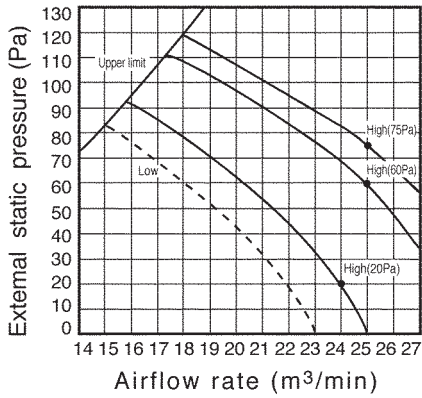
Fan performance <220V>



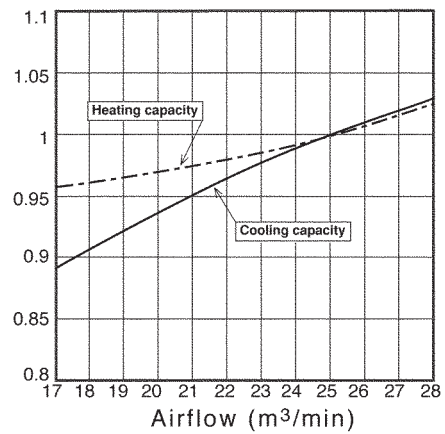
Fan performance <230V>



Fan performance <240V>



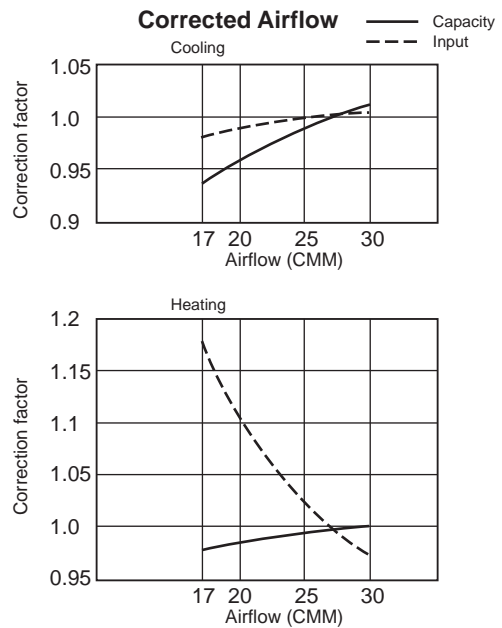
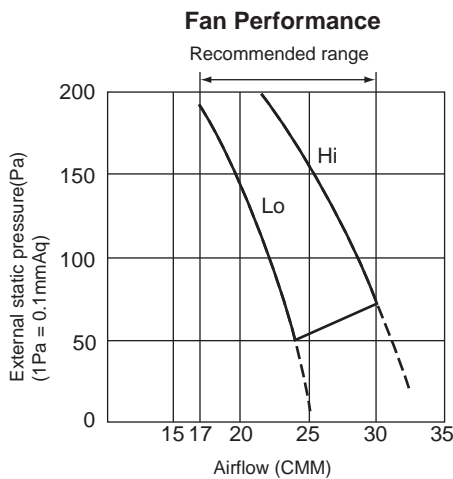
Corrected air flow



8-8. PEA-RP-EA

8-8-1. Fan performance and corrected airflow

PEA-RP71EA

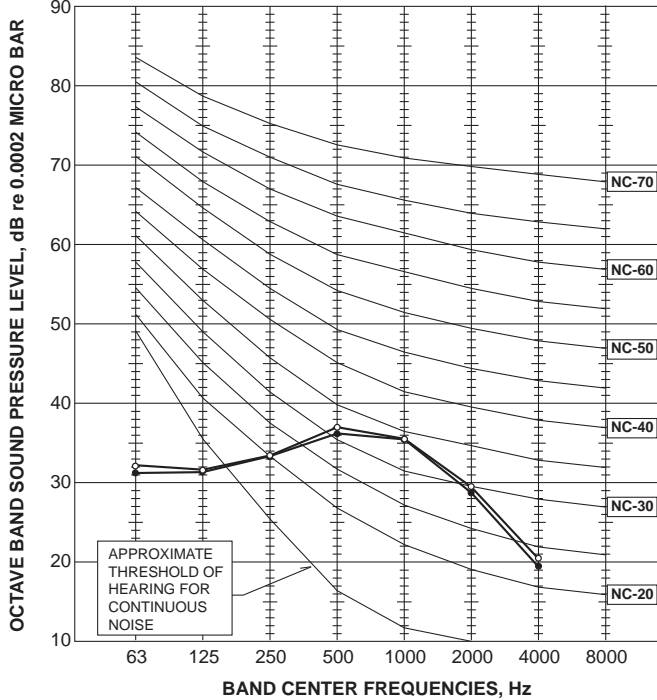


MFZ-KA25VA

FAN SPEED	FUNCTION	SPL(dB(A))	LINE
Super High	COOLING	37	●—●
	HEATING	37	○—○

Test conditions,

Cooling : Dry-bulb temperature 27°C Wet-bulb temperature 19°C
 Heating : Dry-bulb temperature 20°C Wet-bulb temperature 15°C

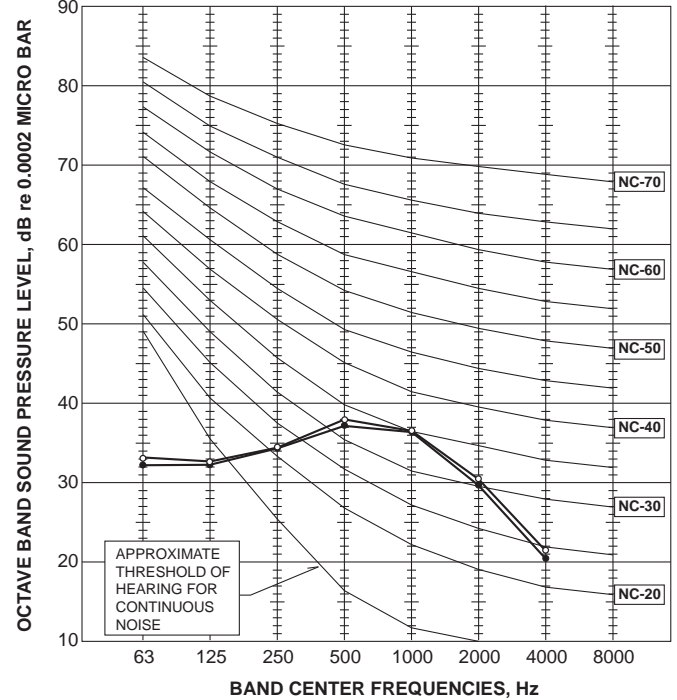


MFZ-KA35VA

FAN SPEED	FUNCTION	SPL(dB(A))	LINE
Super High	COOLING	38	●—●
	HEATING	38	○—○

Test conditions,

Cooling : Dry-bulb temperature 27°C Wet-bulb temperature 19°C
 Heating : Dry-bulb temperature 20°C Wet-bulb temperature 15°C

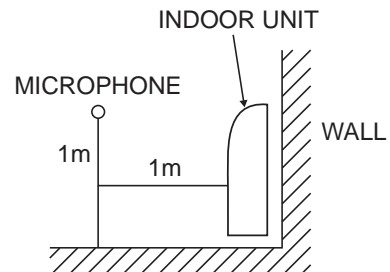
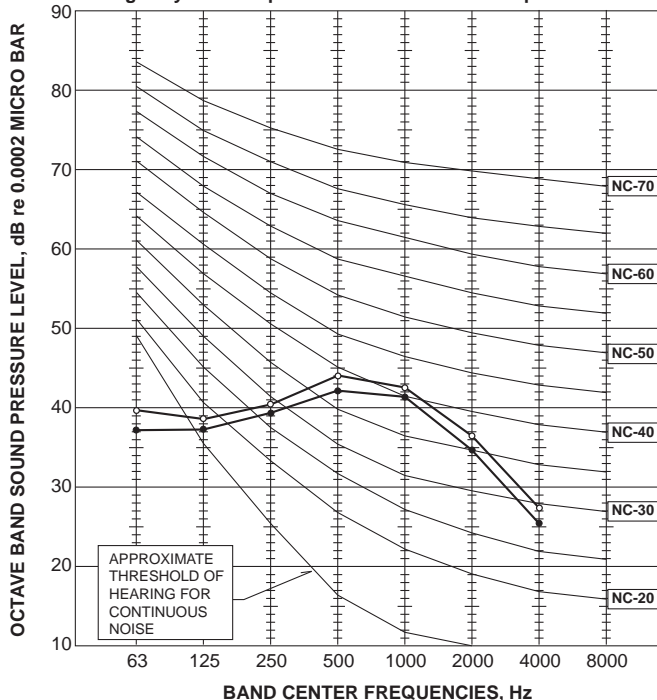


MFZ-KA50VA

FAN SPEED	FUNCTION	SPL(dB(A))	LINE
Super High	COOLING	43	●—●
	HEATING	44	○—○

Test conditions,

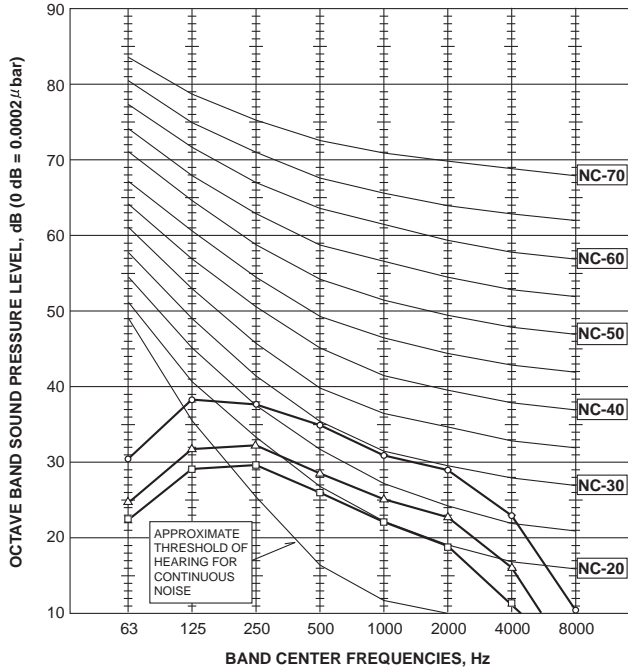
Cooling : Dry-bulb temperature 27°C Wet-bulb temperature 19°C
 Heating : Dry-bulb temperature 20°C Wet-bulb temperature 15°C



**SLZ-KA25VAL
SLZ-KA25VA**

<50Hz>

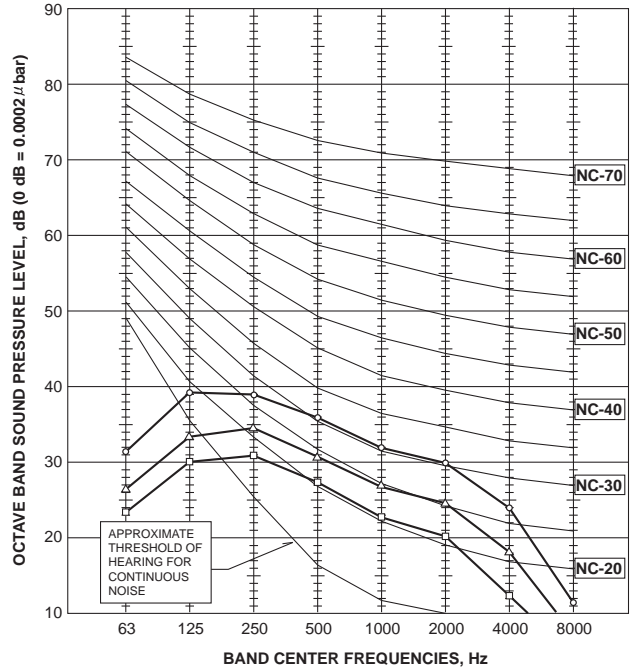
NOTCH	SPL(dB)	LINE
High	37	○—○
Medium	31	△—△
Low	28	□—□



**SLZ-KA35VAL
SLZ-KA35VA**

<50Hz>

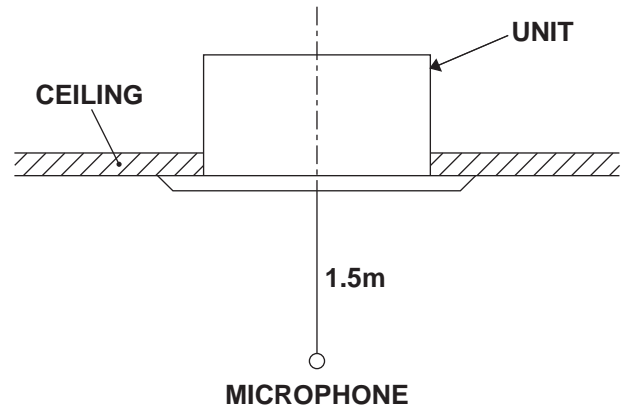
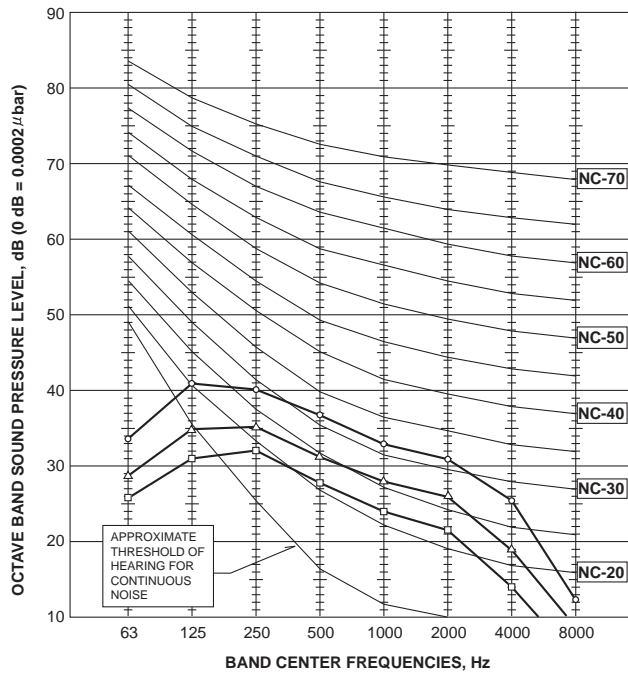
NOTCH	SPL(dB)	LINE
High	38	○—○
Medium	33	△—△
Low	29	□—□



**SLZ-KA50VAL
SLZ-KA50VA**

<50Hz>

NOTCH	SPL(dB)	LINE
High	39	○—○
Medium	34	△—△
Low	30	□—□



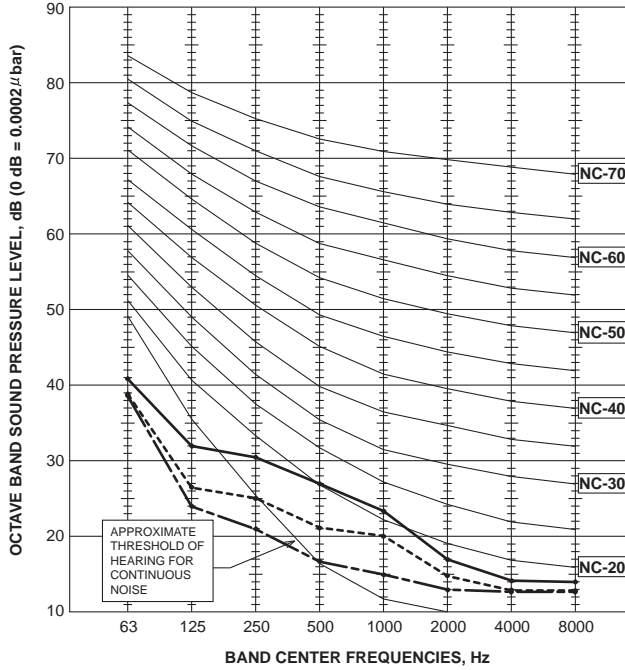
NOTE: The sound level is measured in an anechoic room where echoes are few, when compressor stops. The sound may be bigger than the indicated level in actual use due to surrounding echoes. The sound level can be higher by about 2 dB than the indicated level during cooling and heating operation.

NOISE CRITERION CURVES

SEZ-KD25VA(L)

External static pressure: 5Pa

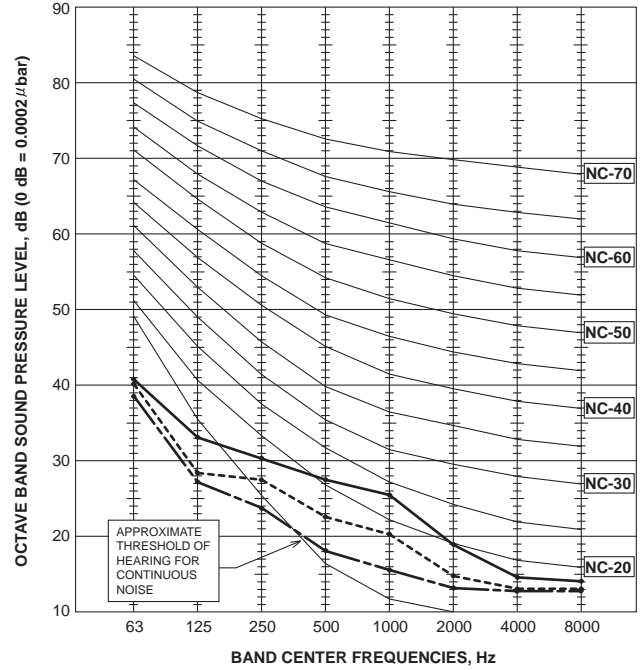
NOTCH	SPL(dB)	LINE
High	29	—————
Middle	25	- - - - -
Low	22	— · — · —



SEZ-KD25VA(L)

External static pressure: 15Pa

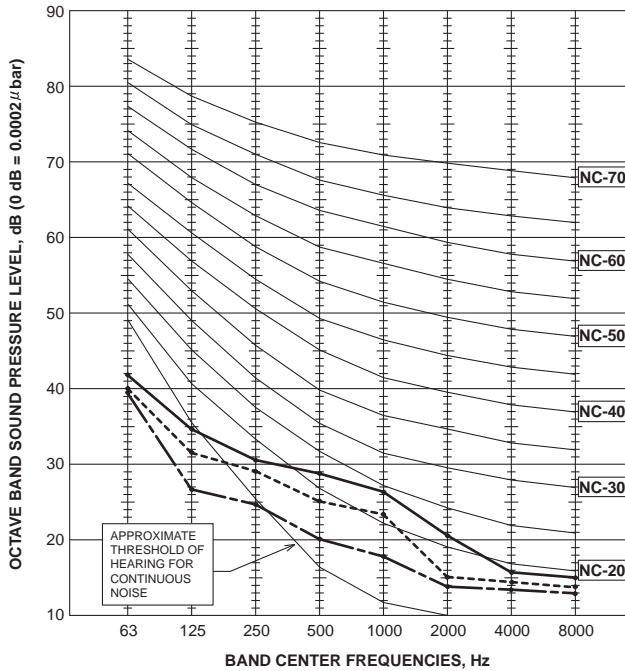
NOTCH	SPL(dB)	LINE
High	30	—————
Middle	26	- - - - -
Low	23	— · — · —



SEZ-KD25VA(L)

External static pressure: 35Pa

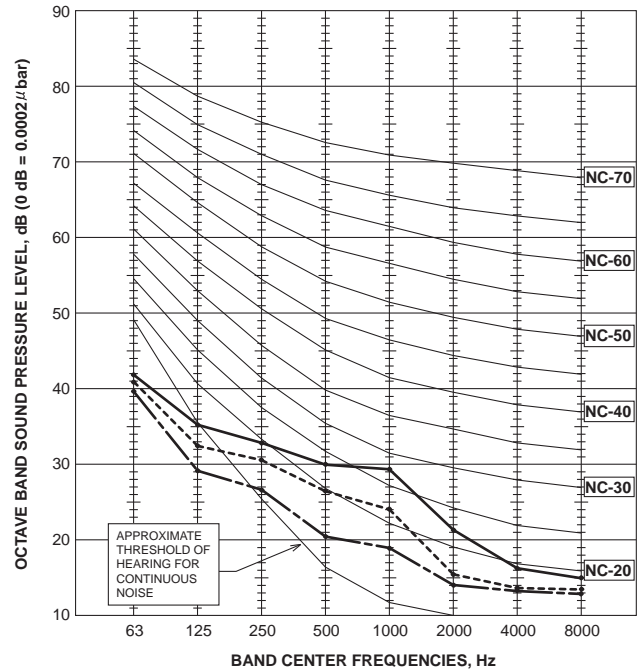
NOTCH	SPL(dB)	LINE
High	31	—————
Middle	28	- - - - -
Low	24	— · — · —



SEZ-KD25VA(L)

External static pressure: 50Pa

NOTCH	SPL(dB)	LINE
High	33	—————
Middle	29	- - - - -
Low	25	— · — · —

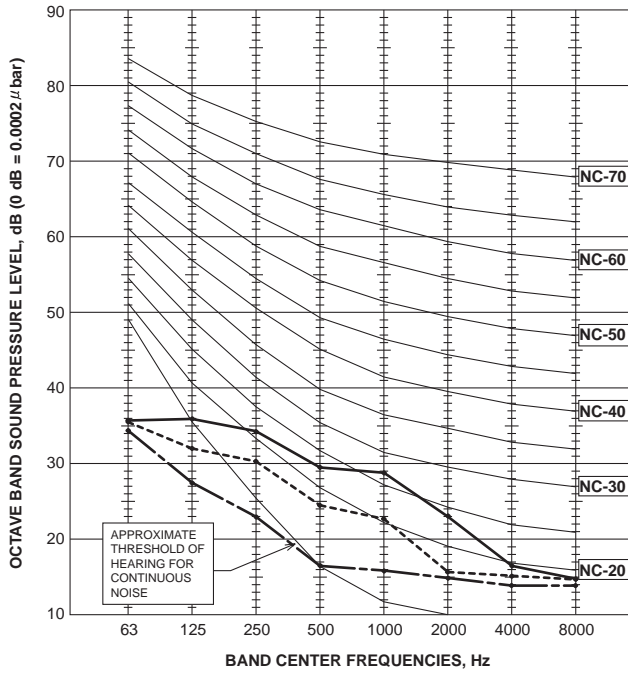


NOTE: The sound level is measured in an anechoic room where echoes are few, when compressor stops. The sound may be bigger than indicated level in actual use due to surrounding echoes. The sound level can be higher by about 2 dB than the indicated level during cooling and heating operation.

SEZ-KD35VA(L)

External static pressure: 5Pa

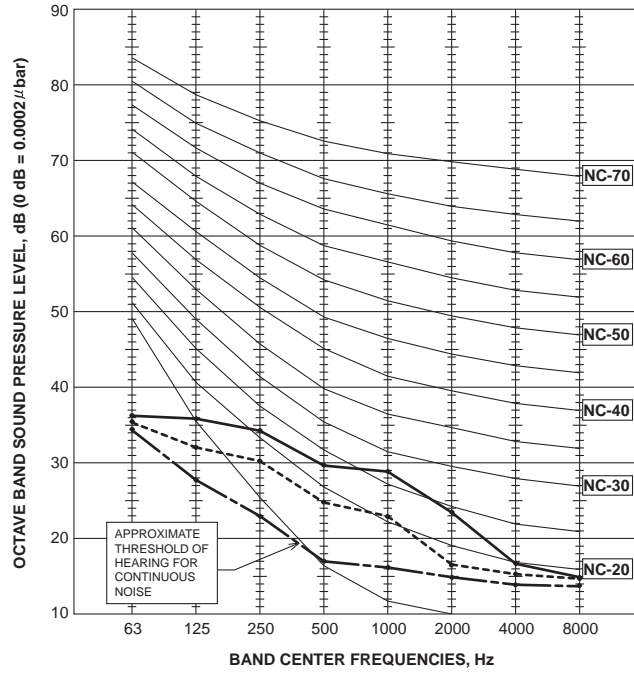
NOTCH	SPL(dB)	LINE
High	33	————
Middle	28	- - - - -
Low	23	- · - · -



SEZ-KD35VA(L)

External static pressure: 15Pa

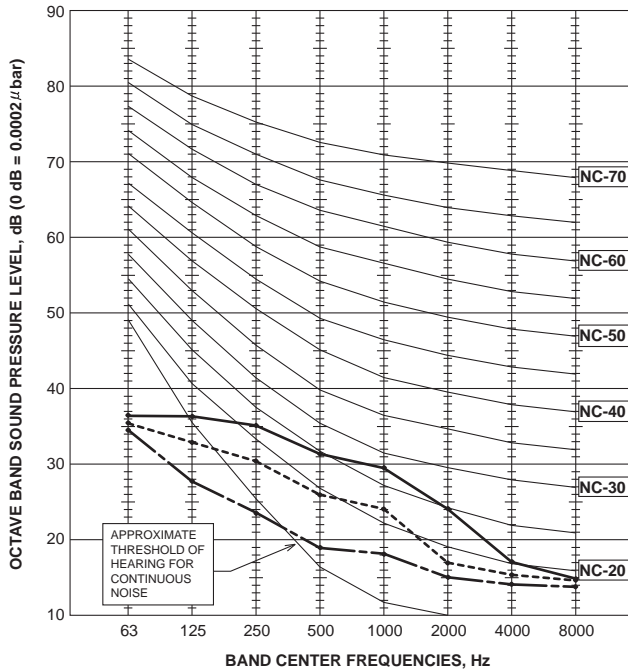
NOTCH	SPL(dB)	LINE
High	33	————
Middle	28	- - - - -
Low	23	- · - · -



SEZ-KD35VA(L)

External static pressure: 35Pa

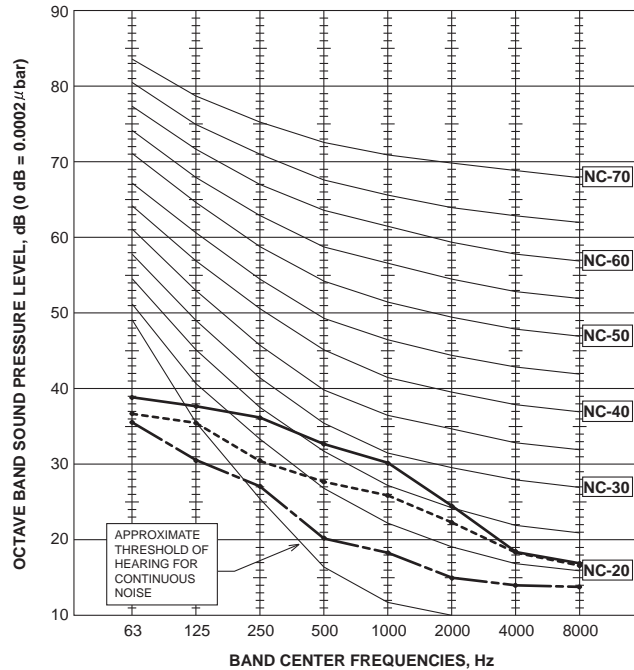
NOTCH	SPL(dB)	LINE
High	34	————
Middle	29	- - - - -
Low	24	- · - · -



SEZ-KD35VA(L)

External static pressure: 50Pa

NOTCH	SPL(dB)	LINE
High	35	————
Middle	31	- - - - -
Low	25	- · - · -

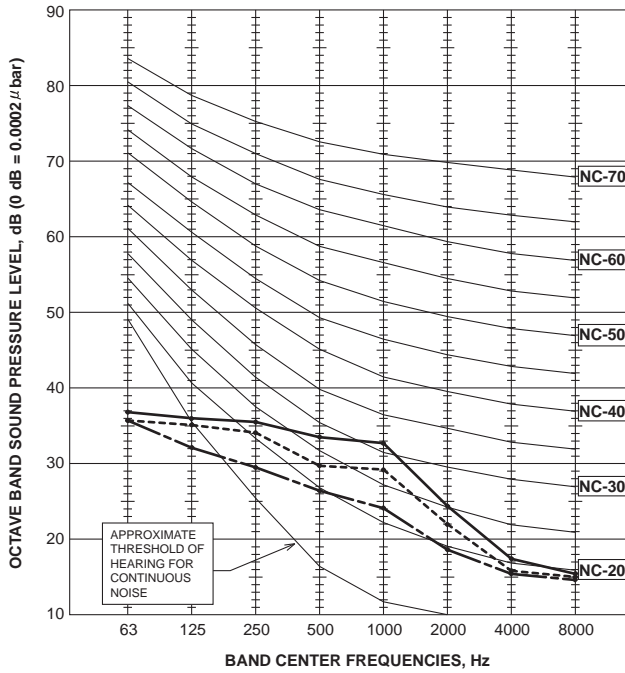


NOTE: The sound level is measured in an anechoic room where echoes are few, when compressor stops. The sound may be bigger than indicated level in actual use due to surrounding echoes. The sound level can be higher by about 2 dB than the indicated level during cooling and heating operation.

SEZ-KD50VA(L)

External static pressure: 5Pa

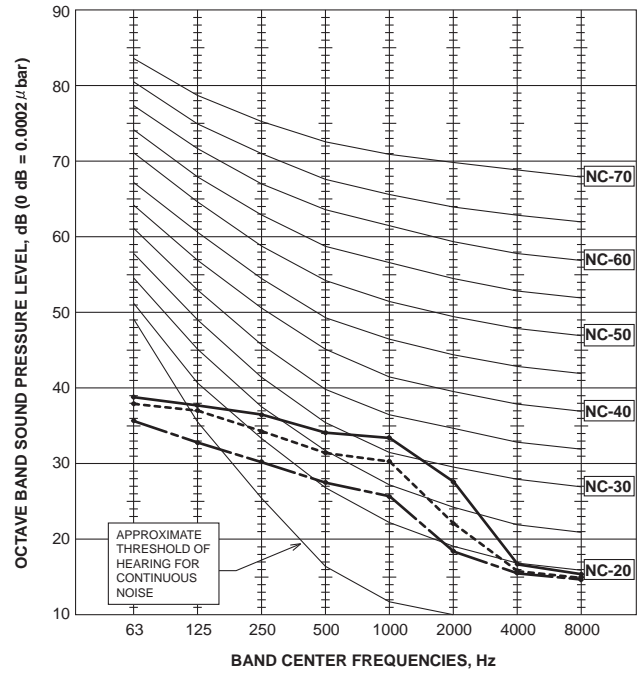
NOTCH	SPL(dB)	LINE
High	36	—————
Middle	33	- - - - -
Low	29	- · - · -



SEZ-KD50VA(L)

External static pressure: 15Pa

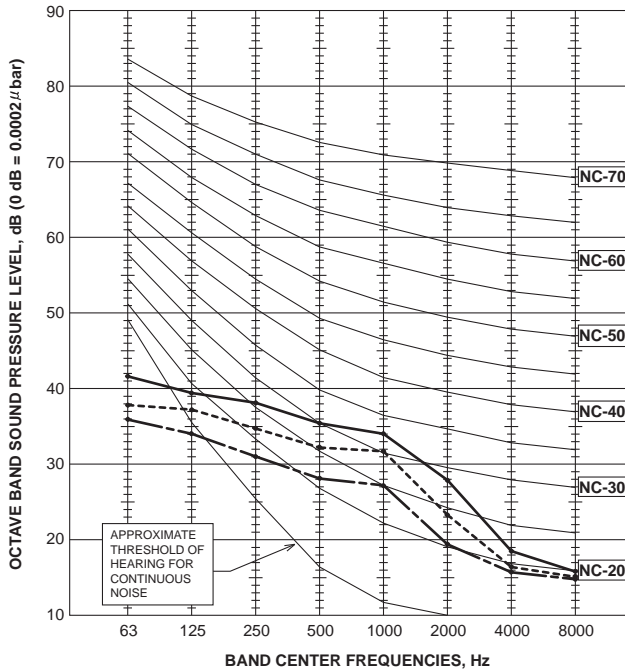
NOTCH	SPL(dB)	LINE
High	37	—————
Middle	34	- - - - -
Low	30	- · - · -



SEZ-KD50VA(L)

External static pressure: 35Pa

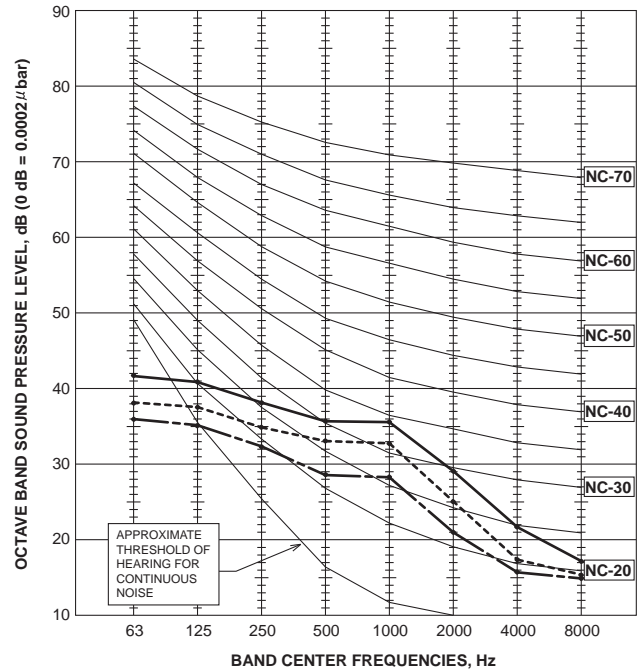
NOTCH	SPL(dB)	LINE
High	38	—————
Middle	35	- - - - -
Low	31	- · - · -



SEZ-KD50VA(L)

External static pressure: 50Pa

NOTCH	SPL(dB)	LINE
High	39	—————
Middle	36	- - - - -
Low	32	- · - · -

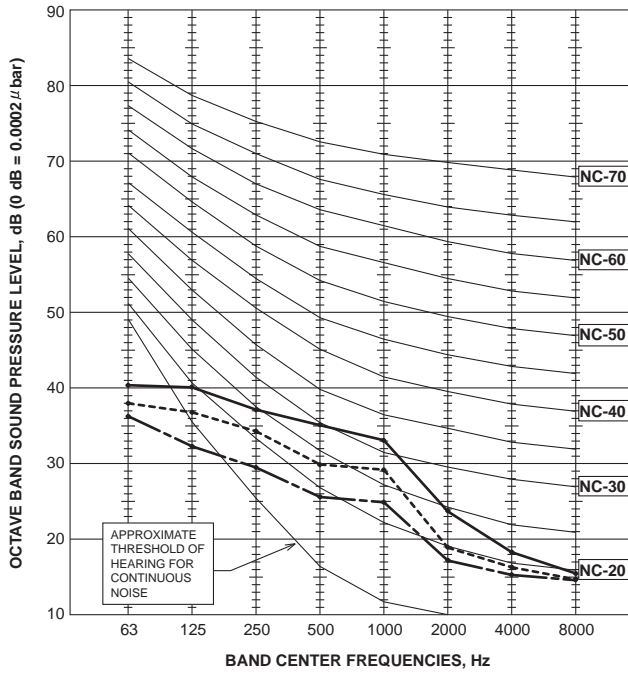


NOTE: The sound level is measured in an anechoic room where echoes are few, when compressor stops. The sound may be bigger than the indicated level in actual use due to surrounding echoes. The sound level can be higher by about 2 dB than the indicated level during cooling and heating operation.

SEZ-KD60VA(L)

External static pressure: 5Pa

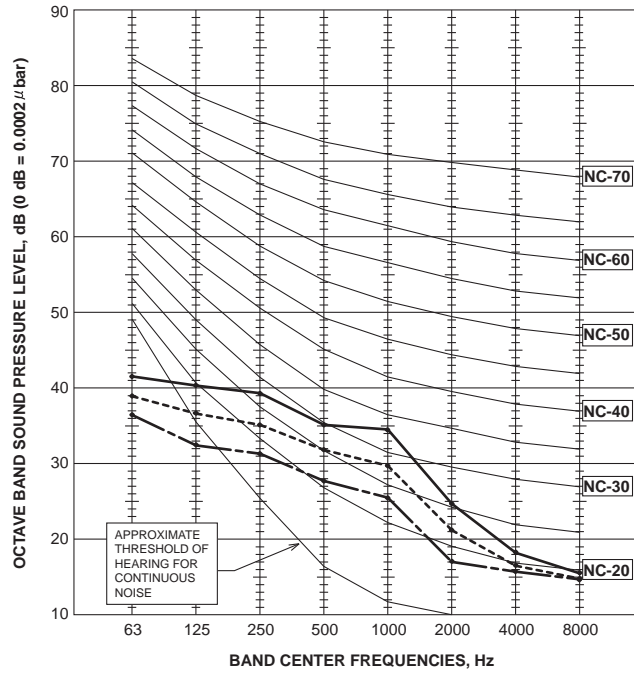
NOTCH	SPL(dB)	LINE
High	37	————
Middle	33	-----
Low	29	- - - -



SEZ-KD60VA(L)

External static pressure: 15Pa

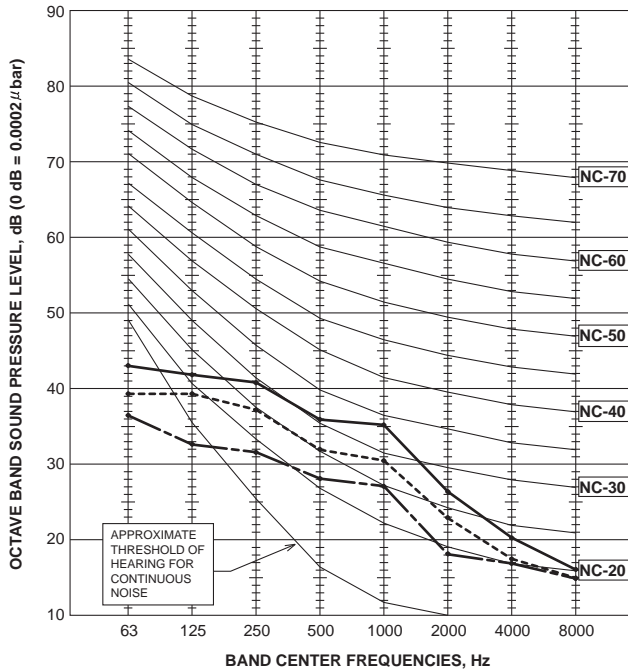
NOTCH	SPL(dB)	LINE
High	38	————
Middle	34	-----
Low	30	- - - -



SEZ-KD60VA(L)

External static pressure: 35Pa

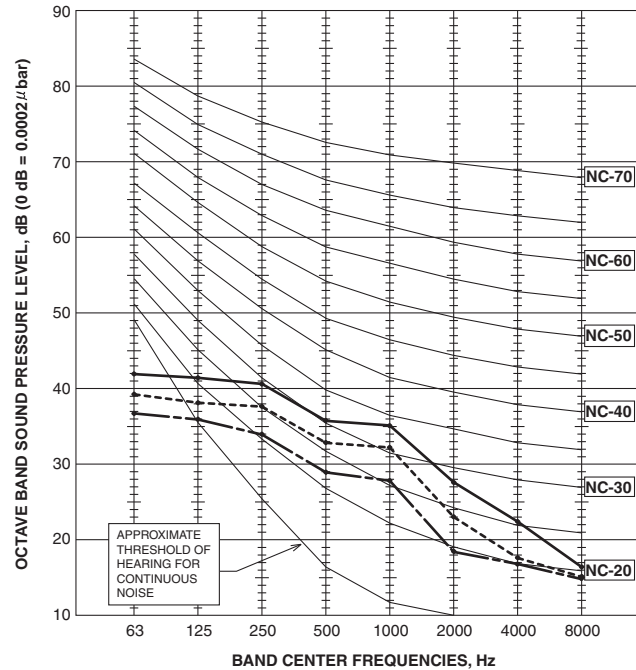
NOTCH	SPL(dB)	LINE
High	39	————
Middle	35	-----
Low	31	- - - -



SEZ-KD60VA(L)

External static pressure: 50Pa

NOTCH	SPL(dB)	LINE
High	39	————
Middle	36	-----
Low	32	- - - -

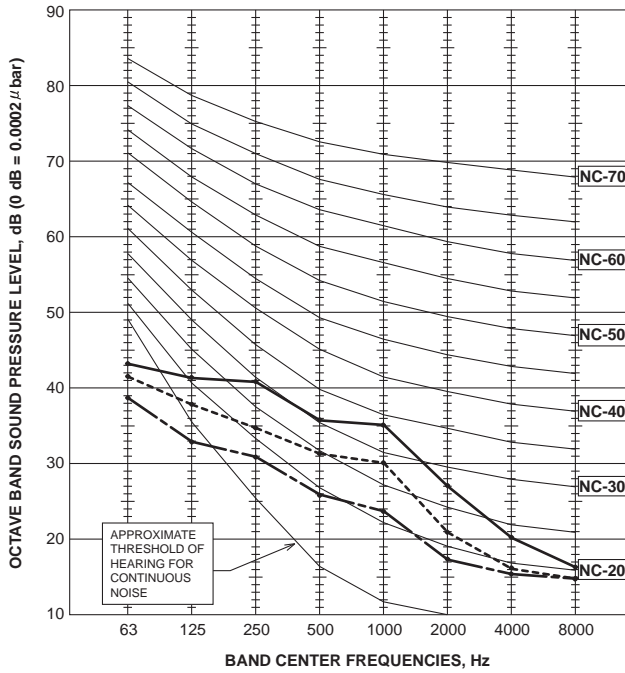


NOTE: The sound level is measured in an anechoic room where echoes are few, when compressor stops. The sound may be bigger than the indicated level in actual use due to surrounding echoes. The sound level can be higher by about 2 dB than the indicated level during cooling and heating operation.

SEZ-KD71VA(L)

External static pressure: 5Pa

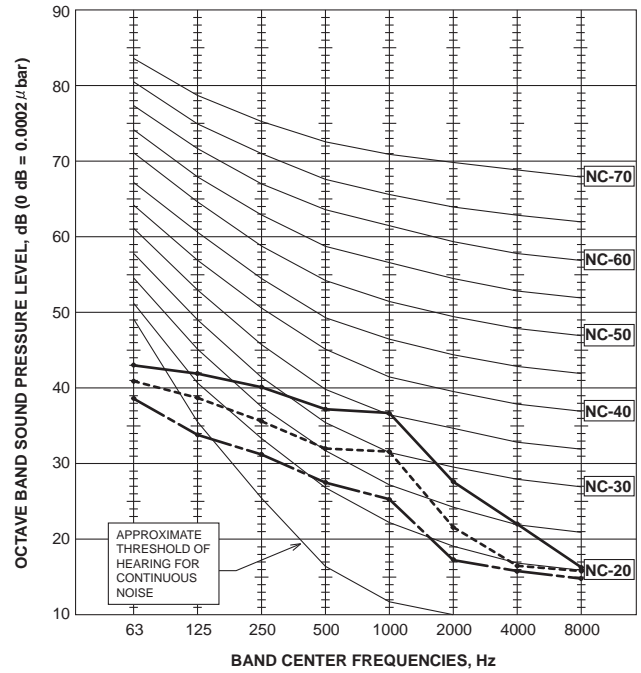
NOTCH	SPL(dB)	LINE
High	39	————
Middle	34	-----
Low	29	- - - -



SEZ-KD71VA(L)

External static pressure: 15Pa

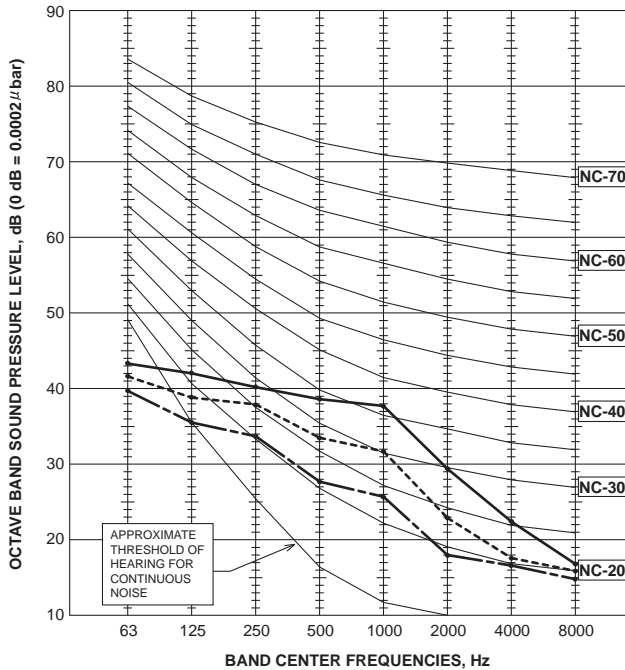
NOTCH	SPL(dB)	LINE
High	40	————
Middle	35	-----
Low	30	- - - -



SEZ-KD71VA(L)

External static pressure: 35Pa

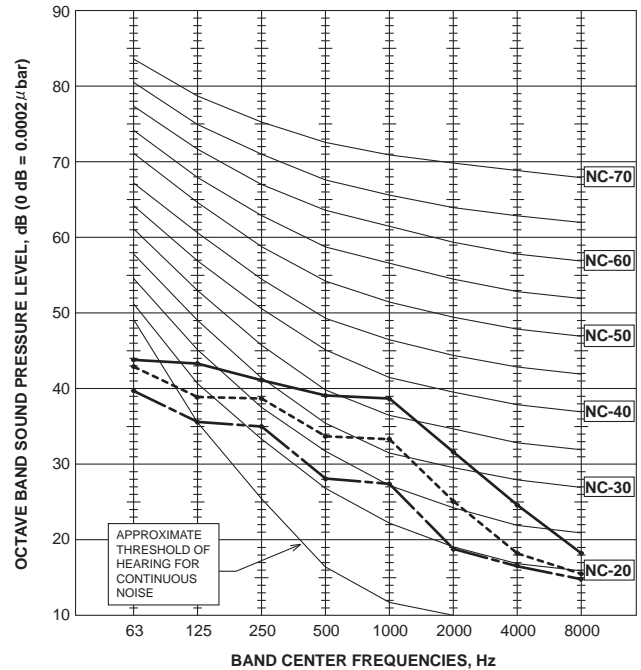
NOTCH	SPL(dB)	LINE
High	41	————
Middle	36	-----
Low	31	- - - -



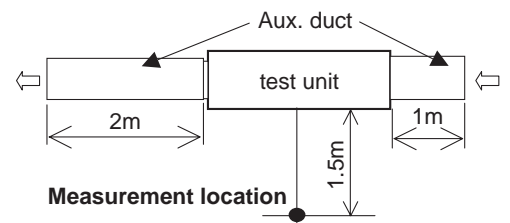
SEZ-KD71VA(L)

External static pressure: 50Pa

NOTCH	SPL(dB)	LINE
High	42	————
Middle	37	-----
Low	32	- - - -



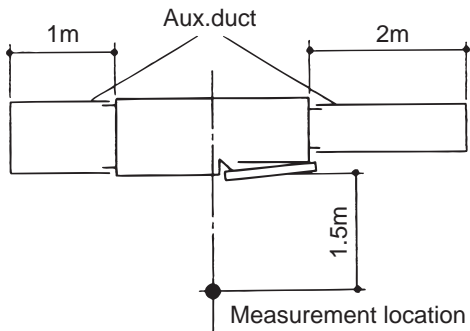
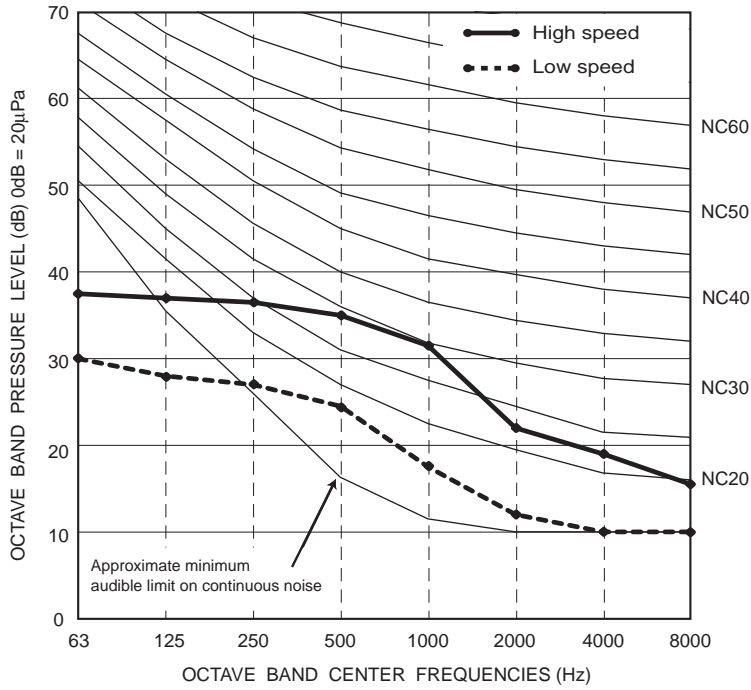
NOTE: The sound level is measured in an anechoic room where echoes are few, when compressor stops. The sound may be bigger than the indicated level in actual use due to surrounding echoes. The sound level can be higher by about 2 dB than the indicated level during cooling and heating operation.



SEZ-KC25VA

<50Hz>

NOTCH	SPL(dB)
High	36
Low	25

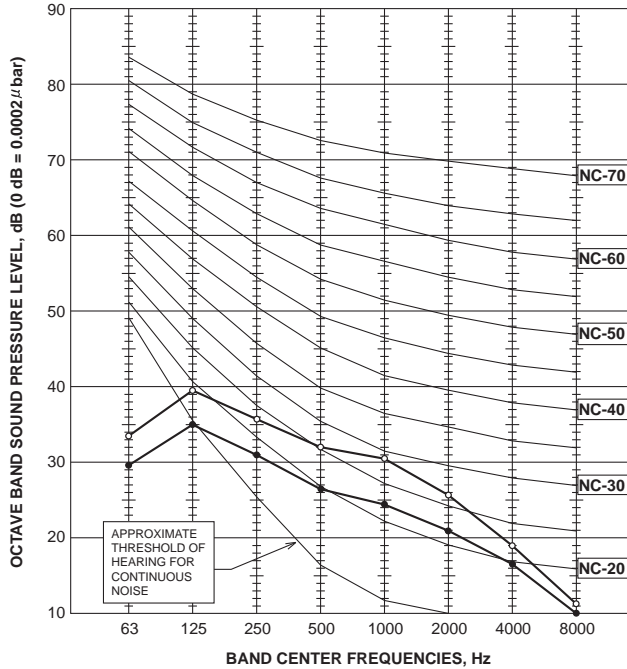


NOTE: The sound level is measured in an anechoic room where echoes are few, when compressor stops. The sound may be bigger than the indicated level in actual use due to surrounding echoes. The sound level can be higher by about 2 dB than the indicated level during cooling and heating operation.

SEZ-KA35VA

<50Hz>

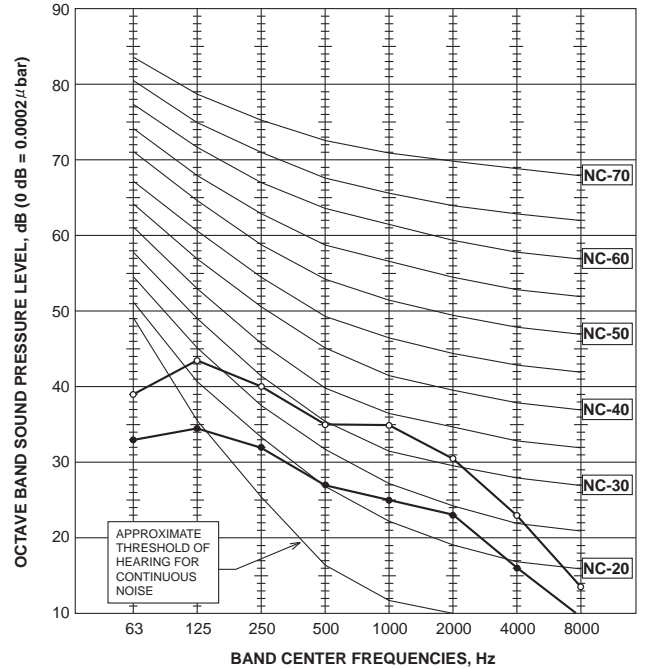
NOTCH	SPL(dB)	LINE
High	35	○—○
Low	30	●—●



SEZ-KA50VA

<50Hz>

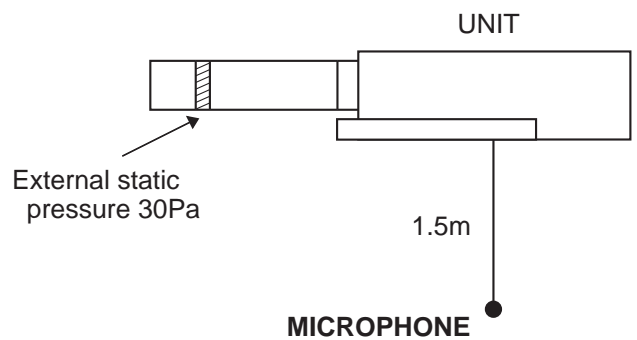
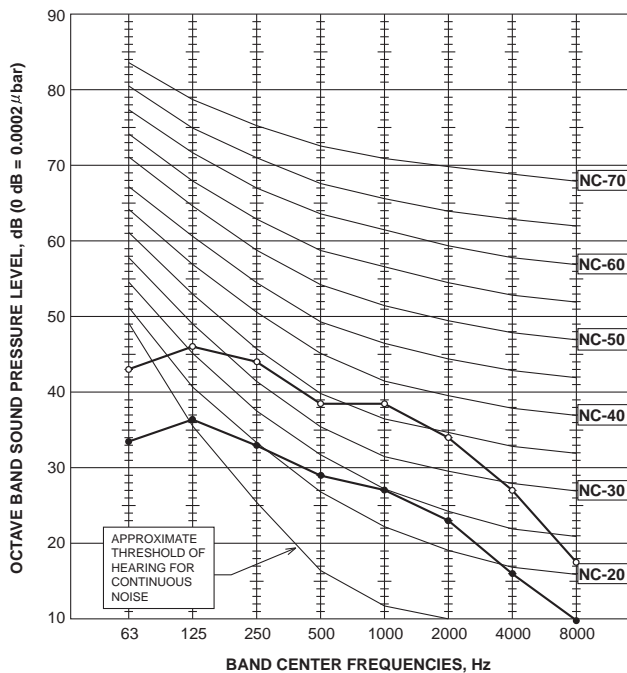
NOTCH	SPL(dB)	LINE
High	39	○—○
Low	31	●—●



SEZ-KA60VA SEZ-KA71VA

<50Hz>

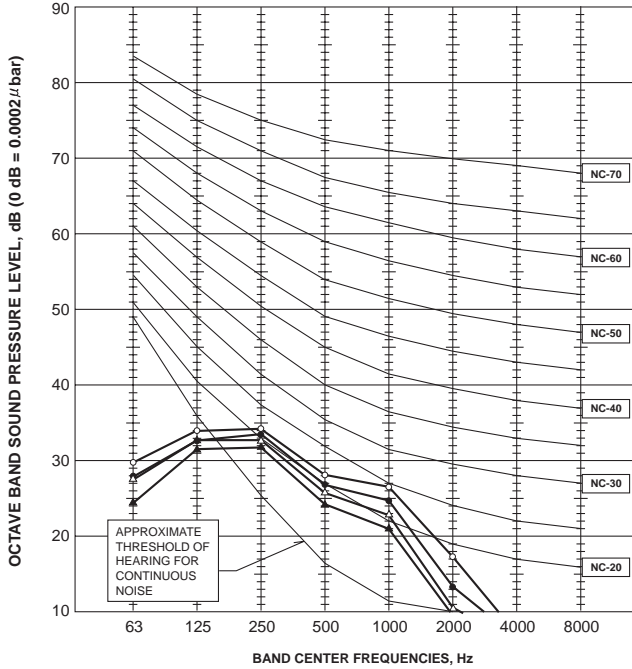
NOTCH	SPL(dB)	LINE
High	43	○—○
Low	32	●—●



NOTE: The sound level is measured in an anechoic room where echoes are few, when compressor stops. The sound may be bigger than the indicated level in actual use due to surrounding echoes. The sound level can be higher by about 2 dB than the indicated level during cooling and heating operation.

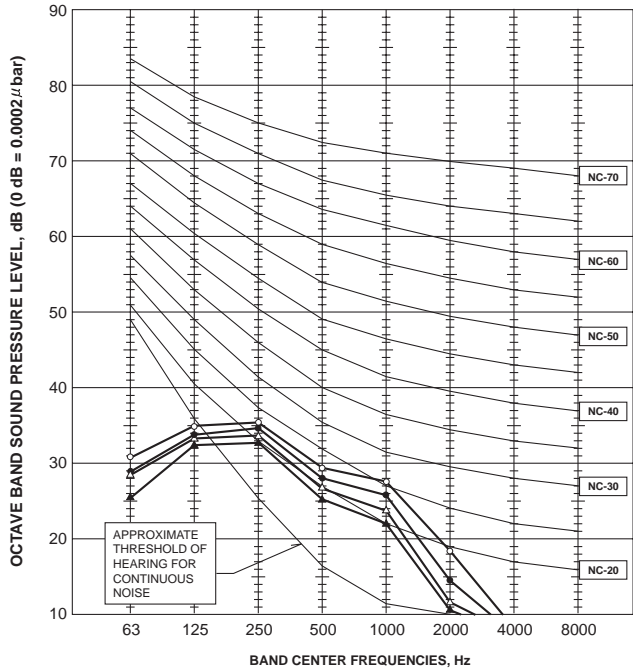
PLA-RP35BA

NOTCH	SPL(dB)	LINE
High	31	○—○
Medium1	29	●—●
Medium2	28	△—△
Low	27	▲—▲



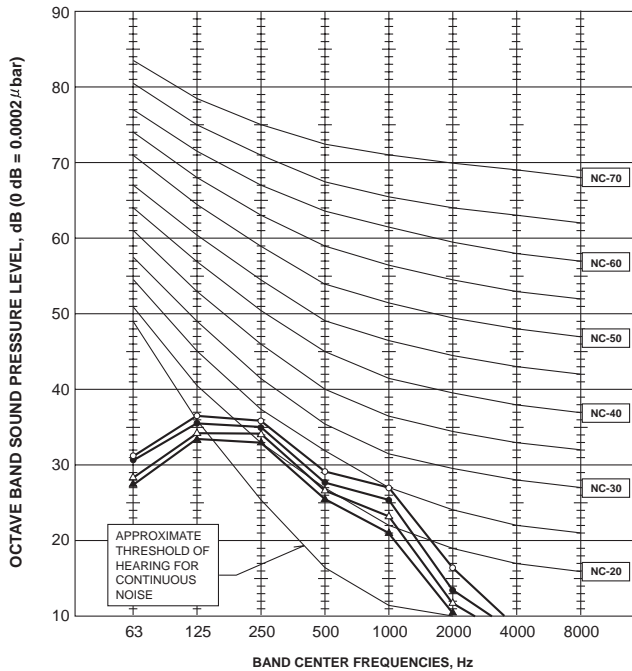
PLA-RP50BA

NOTCH	SPL(dB)	LINE
High	32	○—○
Medium1	31	●—●
Medium2	29	△—△
Low	28	▲—▲



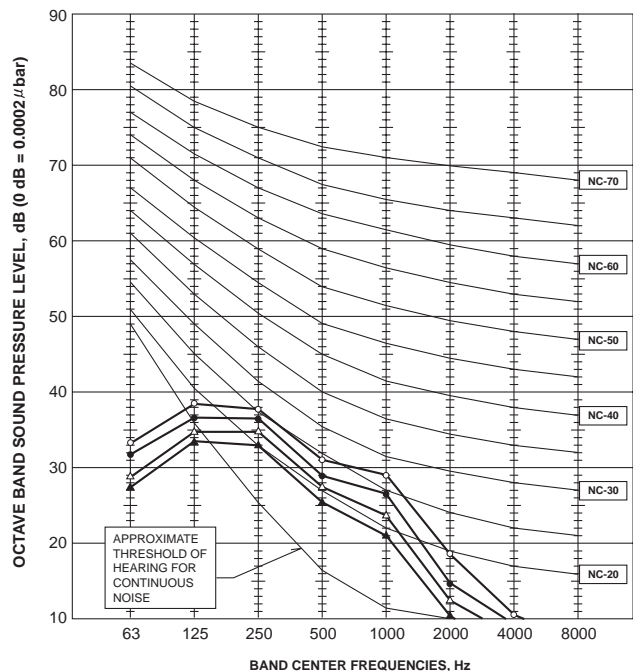
PLA-RP60BA

NOTCH	SPL(dB)	LINE
High	32	○—○
Medium1	31	●—●
Medium2	29	△—△
Low	28	▲—▲



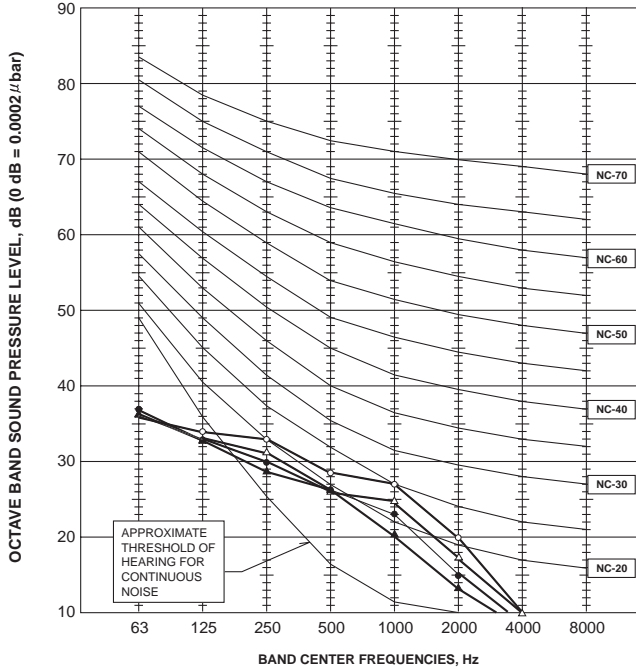
PLA-RP71BA

NOTCH	SPL(dB)	LINE
High	34	○—○
Medium1	32	●—●
Medium2	30	△—△
Low	28	▲—▲



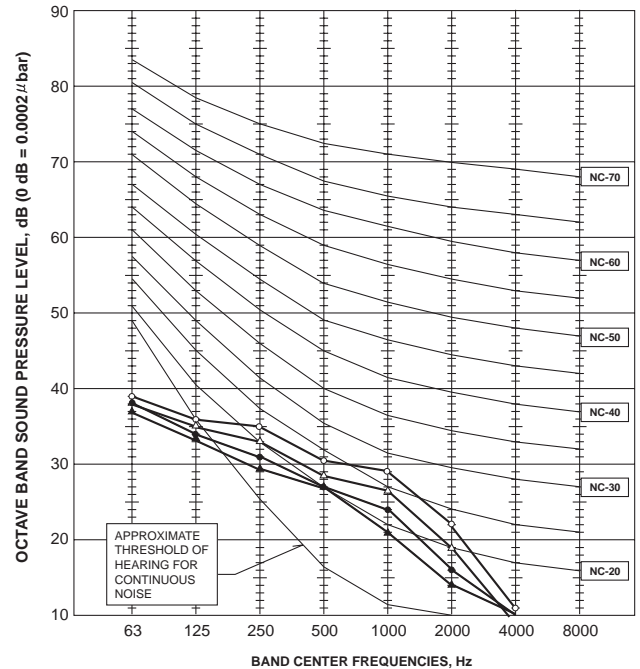
PLA-RP35AA

NOTCH	SPL(dB)	LINE
High	31	○—○
Medium1	29	△—△
Medium2	28	●—●
Low	27	▲—▲



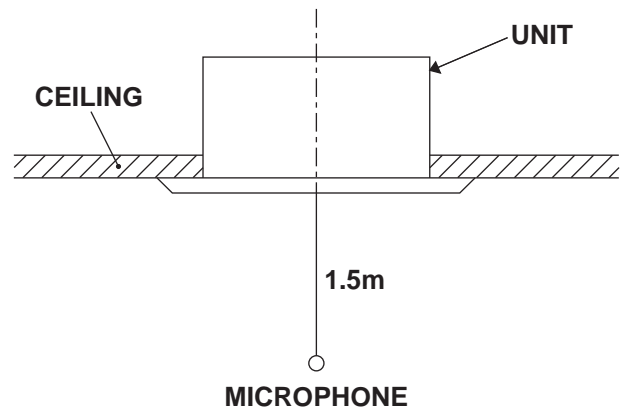
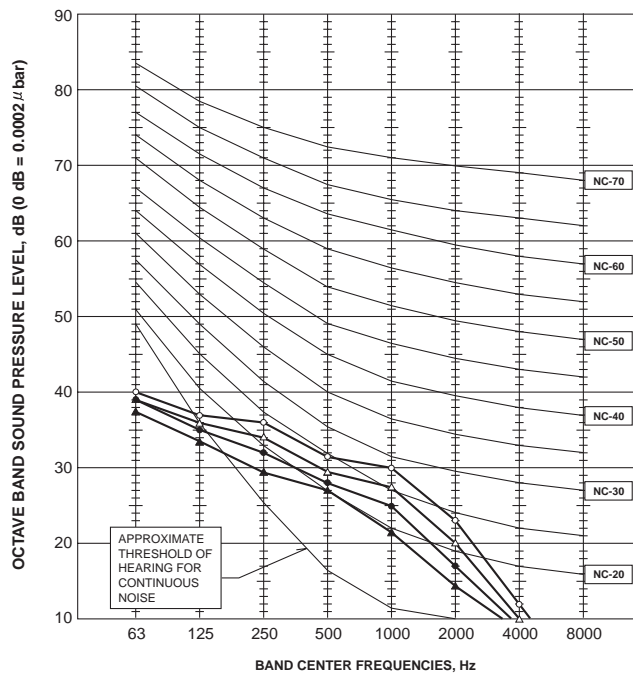
PLA-RP50AA PLA-RP60AA

NOTCH	SPL(dB)	LINE
High	33	○—○
Medium1	31	△—△
Medium2	29	●—●
Low	28	▲—▲

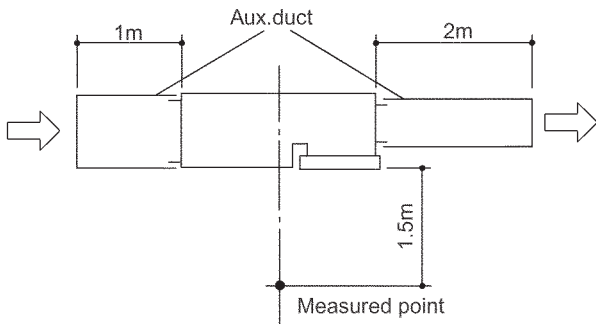


PLA-RP71AA

NOTCH	SPL(dB)	LINE
High	34	○—○
Medium1	32	△—△
Medium2	30	●—●
Low	28	▲—▲



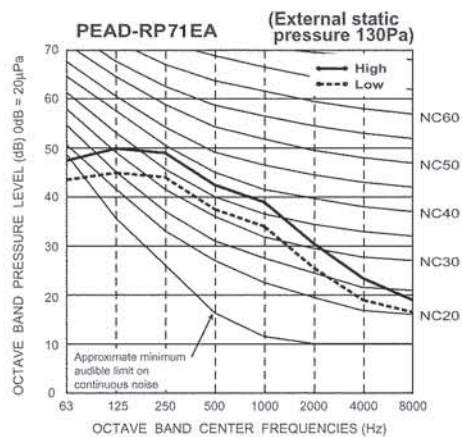
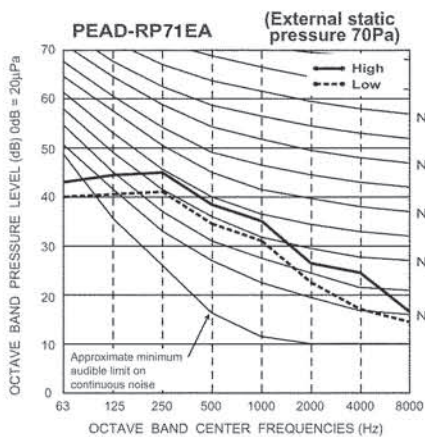
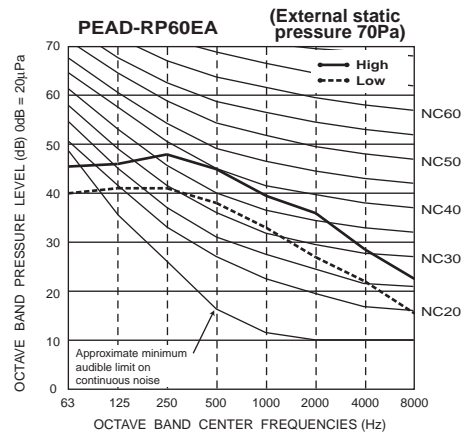
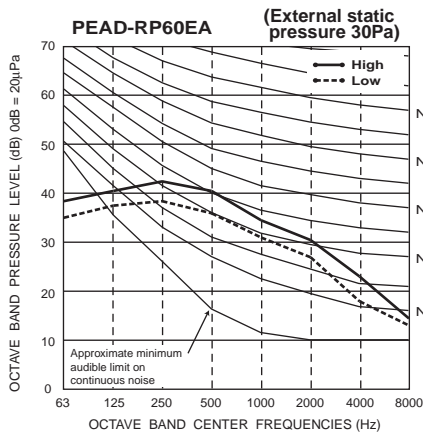
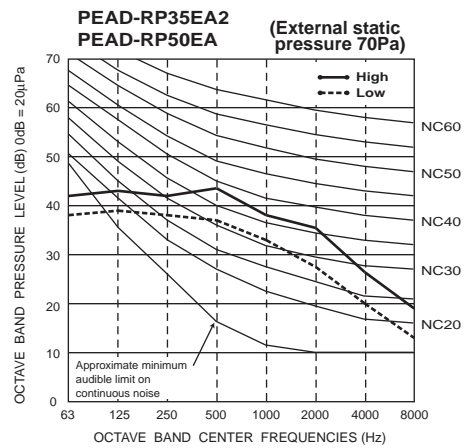
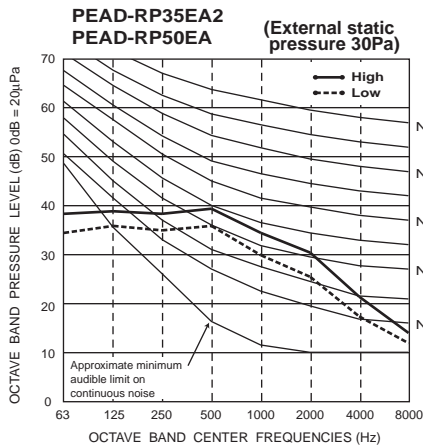
Ceiling concealed

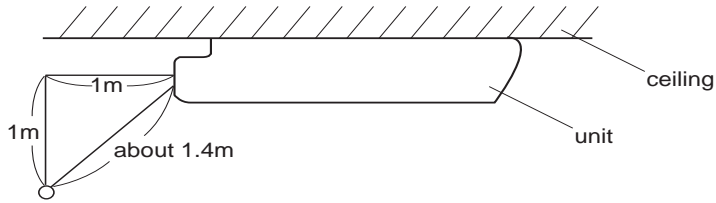


Noise level at an echoic room (Low-High) Unit : dB(A)

Model	External static pressure		
	30Pa	70Pa	130Pa
PEAD-RP35EA2	36-40	38-44*	-
PEAD-RP50EA	36-40	38-44*	-
PEAD-RP60EA	37-41	39-46*	-
PEAD-RP71EA	-	37-41	40-45*

* Optional motor



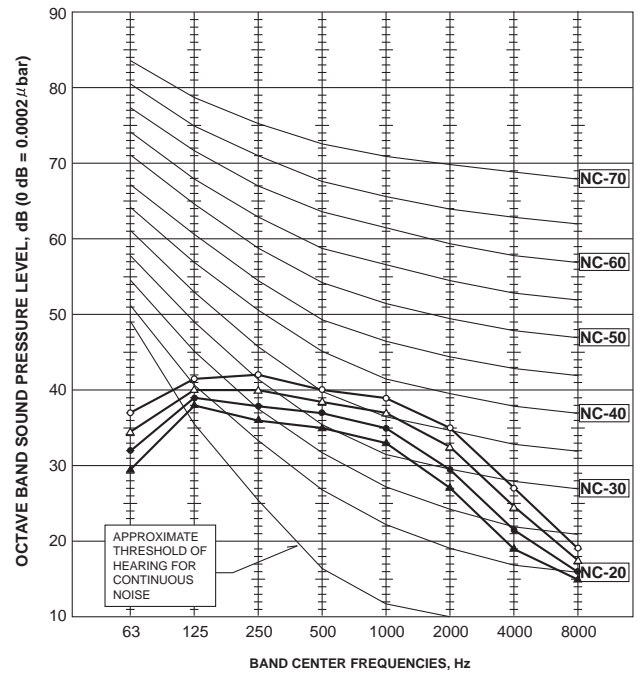
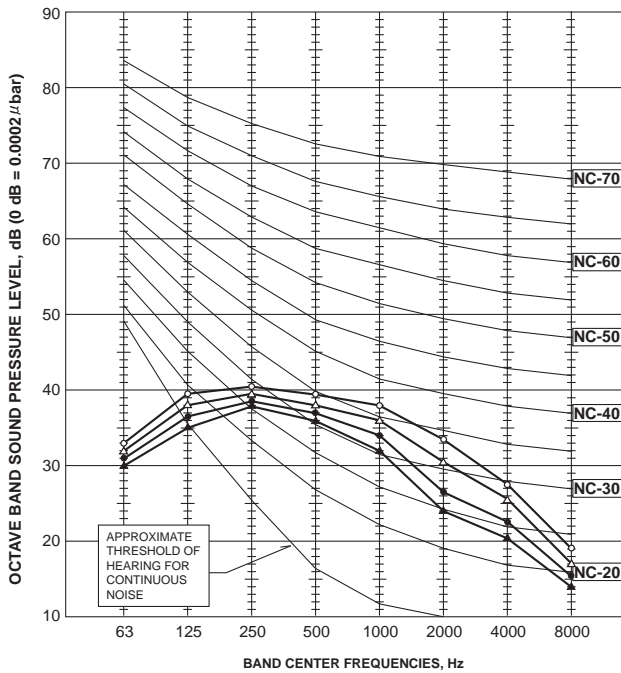


**MICROPHONE
PCA-RP50GA**

NOTCH	SPL(dB)	LINE
High	42	○—○
Medium1	40	△—△
Medium2	38	●—●
Low	37	▲—▲

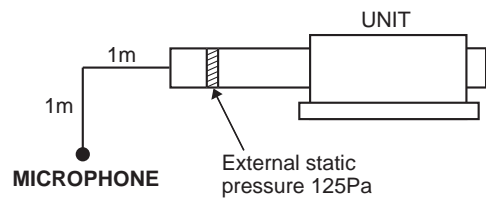
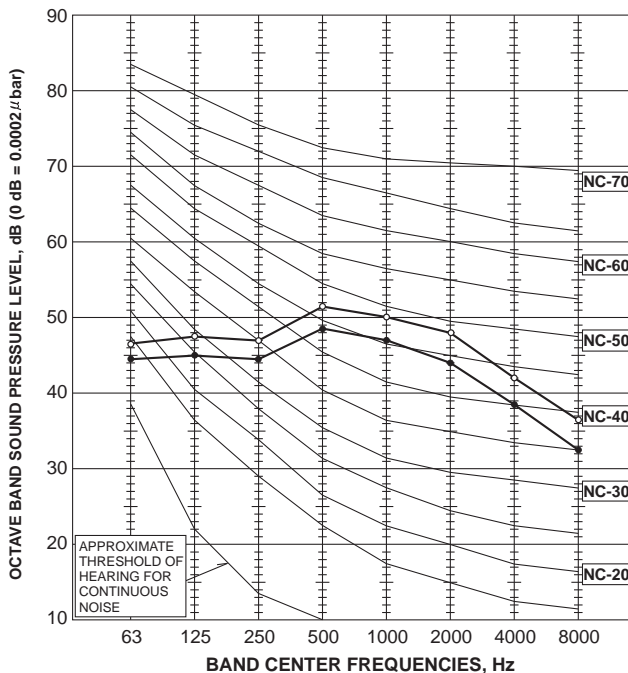
**PCA-RP50GA2
PCA-RP60GA
PCA-RP71GA**

NOTCH	SPL(dB)	LINE
High	43	○—○
Medium1	41	△—△
Medium2	39	●—●
Low	37	▲—▲



PEA-RP71EA

NOTCH	SPL(dB)	LINE
High	55	○—○
Low	52	●—●

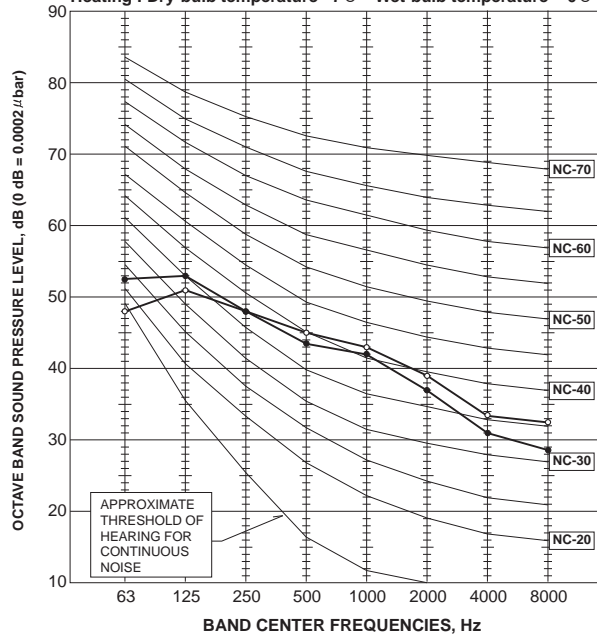


SUZ-KA25VA
SUZ-KA25VAH

FAN SPEED	FUNCTION	SPL(dB(A))	LINE
High Med.	COOLING	46	●—●
	HEATING	46	○—○

Test conditions,

Cooling : Dry-bulb temperature 35°C Wet-bulb temperature (24°C)
Heating : Dry-bulb temperature 7°C Wet-bulb temperature 6°C

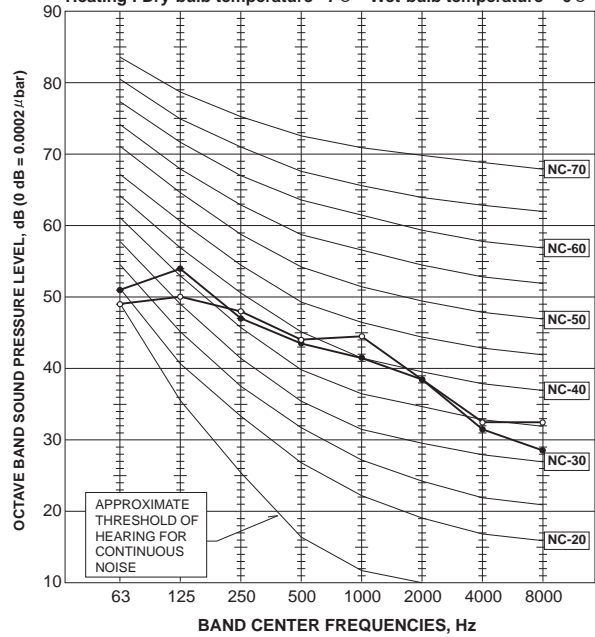


SUZ-KA35VA
SUZ-KA35VAH

FAN SPEED	FUNCTION	SPL(dB(A))	LINE
High Med.	COOLING	47	●—●
	HEATING	48	○—○

Test conditions,

Cooling : Dry-bulb temperature 35°C Wet-bulb temperature (24°C)
Heating : Dry-bulb temperature 7°C Wet-bulb temperature 6°C

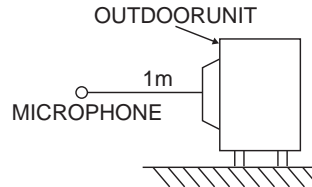
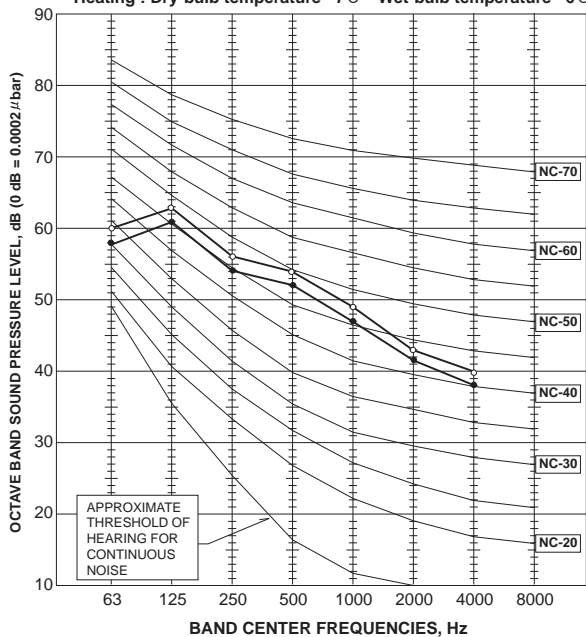


SUZ-KA50VA
SUZ-KA60VA
SUZ-KA71VA

FAN SPEED	FUNCTION	SPL(dB(A))	LINE
High	COOLING	53	●—●
	HEATING	55	○—○

Test conditions,

Cooling : Dry-bulb temperature 35°C Wet-bulb temperature (24°C)
Heating : Dry-bulb temperature 7°C Wet-bulb temperature 6°C



10-1. INDOOR UNIT

Part Name	Model Name	Applicable model	
Remote sensor	PAC-SE41TS-E	All models except MFZ-KA·VA	
Remote operation adapter	PAC-SF40RM-E		
Multiple remote controller adapter	PAC-SA88HA-E(1pc.)		
	PAC-725AD(10pcs.)		
Remote on/off adapter	PAC-SE55RA-E		
MA & contact terminal interface	MAC-397IF-E	All models	
Anti-allergy enzyme filter(Air cleaning filter)	MAC-415FT-E	MFZ-KA·VA	
Drain lift up mechanism	PAC-KE07DM-E	SEZ-KD·VA(L)	
Wireless remote controller	PAR-SL9CA-E	SEZ-KC25VA	
Signal receiver unit	PAR-SA9CA-E	SEZ-KA35/50/60/71VA	
Air filter	PAC-1000FT	SEZ-KA·VA	
Decoration panel	PLP-6BA	PLA-RP·BA	
Decoration panel with wireless remote controller	PLP-6BALM		
Decoration panel with wired remote controller	PLP-6BAM		
Automatic filter elevation panel	PLP-6BAJ		
i-see sensor corner panel	PAC-SA1ME-E		
Wireless signal receiver	PAR-SA9FA-E		
Space panel	PAC-SH48AS-E		
Air outlet shutter plate	PAC-SH51SP-E		
Multi-function casement	PAC-SH53TM-E		
Flange for fresh air intake	PAC-SH65OF-E		
High-efficiency filter element (PAC-SH53TM-E is needed.)	PAC-SH59KF-E		
Multi-functional casement	PAC-SG03TM-E		PLA-RP·AA
High-efficiency filter element (PAC-SG03TM-E is needed.)	PAC-SG01KF		
Grille + Wireless remote controller	PLP-6AALM		
Grille + Wired remote controller	PLP-6AAMD		
Air outlet shutter plate (20 set, 2pcs/set)	PAC-SG06SP-E		
Wireless remote controller kit	PAR-SL99B-E	PCA-RP·GA(2)	
Drain lift up mechanism	PAC-SH20DM-E	PCA-RP50,60GA(2)	
	PAC-SH21DM-E	PCA-RP71GA	
High-efficiency filter	PAC-SE80KF-E	PCA-RP50GA(2)	
	PAC-SE81KF-E	PCA-RP60,71GA	
Motor (for high external static pressure)	PAC-SK005MT-F	PEAD-RP71EA	
Drain lift up mechanism	PAC-KE03DM-F	PEAD-RP·EA, EA2	
Insulation kit	PAC-SK010DK	PEAD-RP·GA	

10-2. OUTDOOR UNIT

Part Name	Model Name	Applicable model
Drain socket	MAC-851DS	SUZ-KA25,35VA
Drain socket assembly	MAC-811DS	SUZ-KA50,60,71VA

Mr. SLIM™

 **MITSUBISHI ELECTRIC CORPORATION**

HEAD OFFICE : TOKYO BLDG., 2-7-3, MARUNOUCHI, CHIYODA-KU, TOKYO 100-8310, JAPAN