

# PLA-RP Power Inverter Heat Pump

## R410A 4-Way Blow Ceiling Cassette System

- Airflow controllable for ceiling heights up to 4.2m, with automatic adjustment of fan speed
- Reduced draft air distribution, with independent vane control
- Filter lowering operation down to 4m (optional PLP-6BAJ grille required)
- Optional 'I See Sensor' for energy saving and smooth temperature control throughout the room



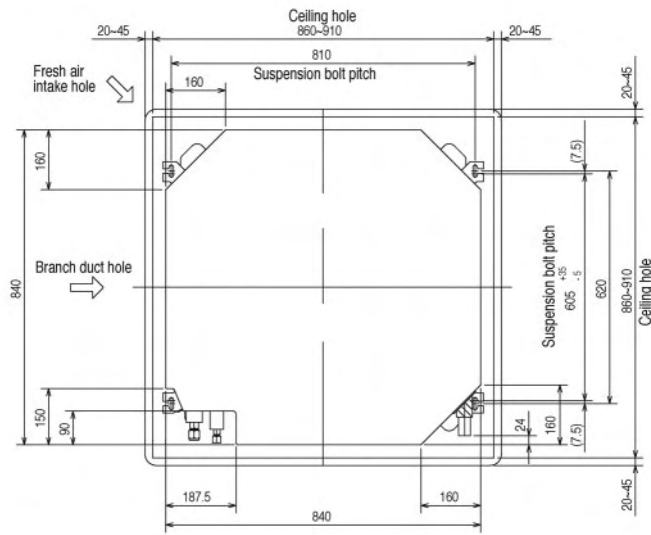
### Technical Information

PLA-RP - INDOOR UNITS								
MODEL REFERENCE		PLA-RP35BA	PLA-RP50BA	PLA-RP60BA	PLA-RP71BA	PLA-RP100BA	PLA-RP125BA	PLA-RP140BA
CAPACITY (kW)	Heating (nominal)	4.1 (1.6-5.2)	6.0 (2.5-7.3)	7.0 (2.8-8.2)	8.0 (3.5-10.2)	11.2 (4.5-14.0)	14.0 (5.0-16.0)	16.0 (5.0-18.0)
	Cooling (nominal)	3.6 (1.6-4.5)	5.0 (2.3-5.6)	6.0 (2.7-6.7)	7.1 (3.3-8.1)	10.0 (4.9-11.4)	12.5 (5.5-14.0)	14.0 (5.5-15.3)
	Heating (UK)	3.5 (1.35-4.4)	5.1 (2.15-6.2)	5.95 (2.4-6.95)	6.8 (3.0-8.65)	9.5 (3.85-11.9)	11.9 (4.25-13.6)	13.6 (4.25-15.3)
	Cooling (UK)	3.25 (1.45-4.05)	4.5 (2.05-5.05)	5.4 (2.45-6.05)	6.4 (2.95-7.3)	9.0 (4.4-10.25)	11.25 (4.95-12.6)	12.6 (4.95-13.75)
SHF (nominal)		0.84	0.81	0.76	0.73	0.74	0.71	0.71
COP / EER (nominal)		3.66 / 3.36	3.61 / 3.23	3.78 / 3.64	3.61 / 3.35	3.61 / 3.31	3.61 / 3.23	3.61 / 3.01
ENERGY LABEL	Heating/Cooling	A / A	A / A	A / A	A / A	A / A	A / A	A / B
AIRFLOW (m3/min)	Lo-Mi1-Mi2-Hi	11-12-13-15	12-14-16-18	12-14-16-18	14-16-18-21	20-23-26-30	22-25-28-31	24-26-29-32
PIPE SIZE mm(in)	Gas	12.7 (1/2")	12.7 (1/2")	15.88 (5/8")	15.88 (5/8")	15.88 (5/8")	15.88 (5/8")	15.88 (5/8")
	Liquid	6.35 (1/4")	6.35 (1/4")	9.52 (3/8")	9.52 (3/8")	9.52 (3/8")	9.52 (3/8")	9.52 (3/8")
NOISE (dBA)	Lo-Mi1-Mi2-Hi	27-28-29-31	28-29-31-32	28-29-31-32	28-30-32-34	32-34-37-40	34-36-39-41	36-39-42-44
DIMENSIONS (mm) (Grille)	Width	840 (950)	840 (950)	840 (950)	840 (950)	840 (950)	840 (950)	840 (950)
	Depth	840 (950)	840 (950)	840 (950)	840 (950)	840 (950)	840 (950)	840 (950)
	Height	258 (35)	258 (35)	258 (35)	258 (35)	298 (35)	298 (35)	298 (35)
WEIGHT (kg)	Unit	22	22	23	23	25	25	27
	Panel	6	6	6	6	6	6	6
ELECTRICAL SUPPLY		Fed by Outdoor Unit	Fed by Outdoor Unit	Fed by Outdoor Unit	Fed by Outdoor Unit	Fed by Outdoor Unit	Fed by Outdoor Unit	Fed by Outdoor Unit
PHASE		Single	Single	Single	Single	Single	Single	Single
FUSE RATING (BS88) - HRC (A)		6	6	6	6	6	6	6
INTERCONNECTING CABLE No. CORES		4	4	4	4	4	4	4
GRILLE REFERENCE		PLP-6BA	PLP-6BA	PLP-6BA	PLP-6BA	PLP-6BA	PLP-6BA	PLP-6BA
WIRED REMOTE CONTROLLER REFERENCE		PAR-21MAA	PAR-21MAA	PAR-21MAA	PAR-21MAA	PAR-21MAA	PAR-21MAA	PAR-21MAA

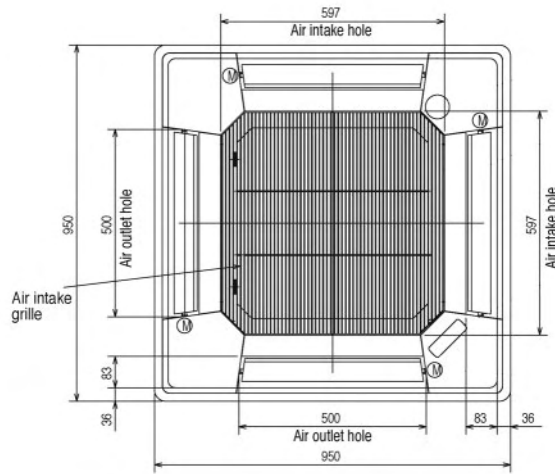
PUHZ-RP - OUTDOOR UNITS								
MODEL REFERENCE		PUHZ-RP35VHA2	PUHZ-RP50VHA2	PUHZ-RP60VHA2	PUHZ-RP71VHA2	PUHZ-RP100VHA2/YHA2	PUHZ-RP125VHA2/YHA2	PUHZ-RP140VHA2/YHA2
NOISE (dBA)	Heating/Cooling	46 / 44	46 / 44	48 / 47	48 / 47	51 / 49	52 / 50	52 / 50
WEIGHT (kg)		45	45	75	75	121 / 135	116 / 130	116 / 130
DIMENSIONS (mm)	Width	800	800	950	950	950	950	950
	Depth	300 + 23	300 + 23	330 + 30	330 + 30	330 + 30	330 + 30	330 + 30
	Height	600	600	943	943	1350	1350	1350
ELECTRICAL SUPPLY		220-240v, 50Hz	220-240v, 50Hz	220-240v, 50Hz	220-240v, 50Hz	220-240v, 50Hz / 380-415,50Hz	220-240v, 50Hz / 380-415,50Hz	220-240v, 50Hz / 380-415,50Hz
PHASE		Single	Single	Single	Single	Single / 3	Single / 3	Single / 3
SYSTEM POWER INPUT (kW)	Heating/Cooling (nominal)	1.12 / 1.07	1.66 / 1.55	1.85 / 1.65	2.21 / 2.12	3.10 / 3.02	3.88 / 3.87	4.43 / 4.65
	Heating/Cooling (UK)	1.00 / 0.91	1.48 / 1.32	1.65 / 1.40	1.97 / 1.80	2.76 / 2.57	3.45 / 3.29	3.94 / 3.95
STARTING CURRENT (A)		5	5	5	5	5	5	5
SYSTEM RUNNING CURRENT (A) Single Phase		5.02 / 4.8 [13]	7.26 / 6.95 [13]	8.29 / 7.4 [19]	10.53 / 8.83 [19]	13.31 / 13.45 [28]	16.9 / 16.45 [28]	20.84 / 20.57 [29.5]
Heating/Cooling [MAX] 3 Phase		-	-	-	-	4.95 / 5.00 [13]	6.12 / 5.96 [13]	7.38 / 7.29 [13]
FUSE RATING (BS88) - HRC (A)		16	16	25	25	32 / 16	32 / 16	40 / 16
MAINS CABLE No. Cores		3	3	3	3	3 / 5	3 / 5	3 / 5
MAX PIPE LENGTH (m)		50	50	50	50	75	75	75
MAX HEIGHT DIFFERENCE (m)		30	30	30	30	30	30	30
CHARGE R410A (kg) - 30m		2.5	2.5	3.5	3.5	5.0	5.0	5.0

# INDOOR UNIT PLA-RP35-140BA

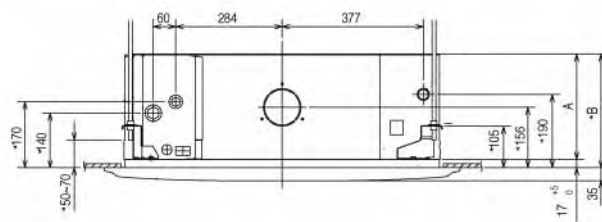
Upper View >



Lower View >



Side View >



Models	A	B
Size 35-71	241	258
Size 100-140	281	298