



PLA-RP71AA

Standard Inverter Heat Pump

R410A 4-Way Blow Ceiling Cassette System

The new Standard Inverter range provides inverter solutions for customers who want all the benefits that inverters offer, but do not have the budget available for the more expensive Power Inverter range.

- **Airflow controllable for ceiling heights up to 4.2m**
- **Electronic fan speed control**
- **Quiet start up cycle**



Pictures not to scale

Product Details

PLA-RP71AA Indoor Unit

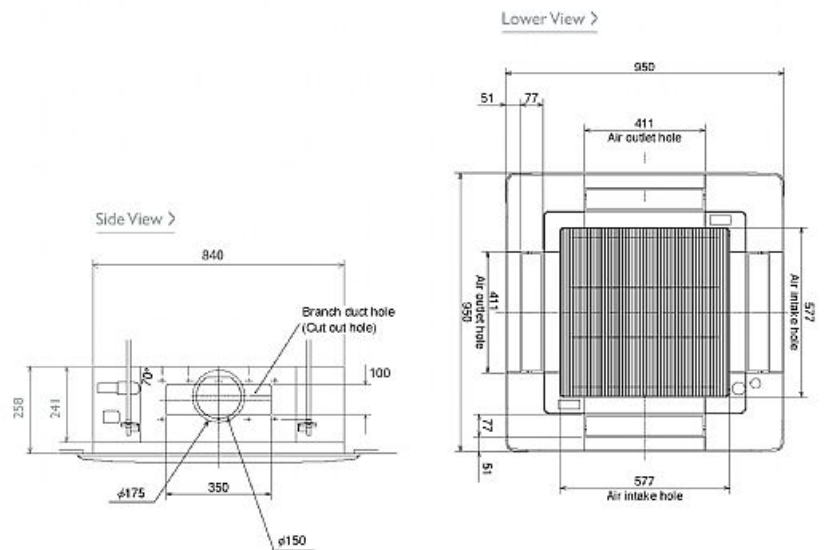
Capacity (kW):	
Heating (Nominal) (Low - High)	8.00 (0.90 - 10.20)
Cooling (Nominal) (Low - High)	7.10 (0.90 - 8.10)
Heating (UK) (Low - High)	6.65 (0.75 - 8.50)
Cooling (UK) (Low - High)	7.05 (0.90 - 8.05)
SHF R410A (Nominal)	0.77
COP / EER (Nominal)	3.21 / 2.81
Energy Label Heating / Cooling	C / C
Width (grille) - mm	840 (950)
Depth (grille) - mm	840 (950)
Height (grille) - mm	258 (30)
Weight (grille) - kg	24 (5)
Airflow (m ³ /min) - Lo-Mi1-Mi2-Hi	15-16-18-20
Noise (dBA) - Lo-Mi1-Mi2-Hi	28-30-32-34
Pipe Size Gas mm (in)	15.88 (5/8)
Pipe Size Liquid mm (in)	9.52 (3/8)
Electrical Supply	Fed by Outdoor Unit
Phase	Single
Fuse Rating (BS88) - HRC (A)	6
Interconnecting Cable No. Cores	4
Grille Ref	PLP-6AA
Remote Controller Ref	PAR-21MAA

SUZ-KA71VA Outdoor Unit

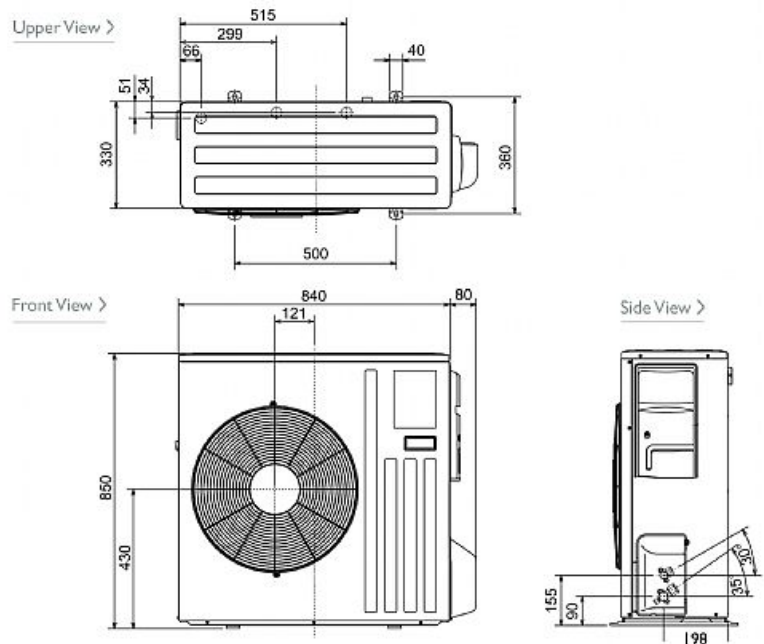
Width - mm	840
Depth - mm	330
Height - mm	850
Weight - kg	58
Noise (dBA) (Heating / Cooling) - Lo-Hi	53-55 / 51-53
Electrical Supply	220-240v, 50Hz
Phase	Single
Fuse Rating (BS88) - HRC (A)	25
System Power Input (kW) - Heating (Nominal)	2.49
System Power Input (kW) - Cooling (Nominal)	2.53
System Power Input (kW) - Heating (UK)	2.27
System Power Input (kW) - Cooling (UK)	2.02
Starting Current (A)	10.3
System Running Current (A) - Heating / Cooling	10.69 / 11.09
Mains Cable No. Cores	3
Max Pipe Length (m)	30
Max Height Difference (m)	15
Charge (kg) - 7m	2

Dimensions

PLA-RP71AA



SUZ-KA71VA



Telephone: 01707 282880

Email: air.conditioning@meuk.mee.com Website: <http://www.mitsubishielectric.co.uk/aircon>

Mitsubishi Electric reserves the right to make any variation in technical specification to the equipment described, or to withdraw or replace products without prior notification or public announcement.

Tel:
Fax:

