



PLA-RP50AA

Power Inverter Heat Pump

R410A 4-Way Blow Ceiling Cassette System

Advanced inverter technology makes the Mr Slim Power Inverter the number one choice for improving comfort. They provide energy savings of up to 70% annually when compared to a previous non-inverter model. Operating noise has also been reduced thanks to improvements in fan design, while existing pipe work is reusable for easier maintenance and installation.

- **Airflow controllable for ceiling heights up to 4.2m**
- **Electronic fan speed control**
- **Quiet start up cycle**



Pictures not to scale

Product Details

PLA-RP50AA Indoor Unit

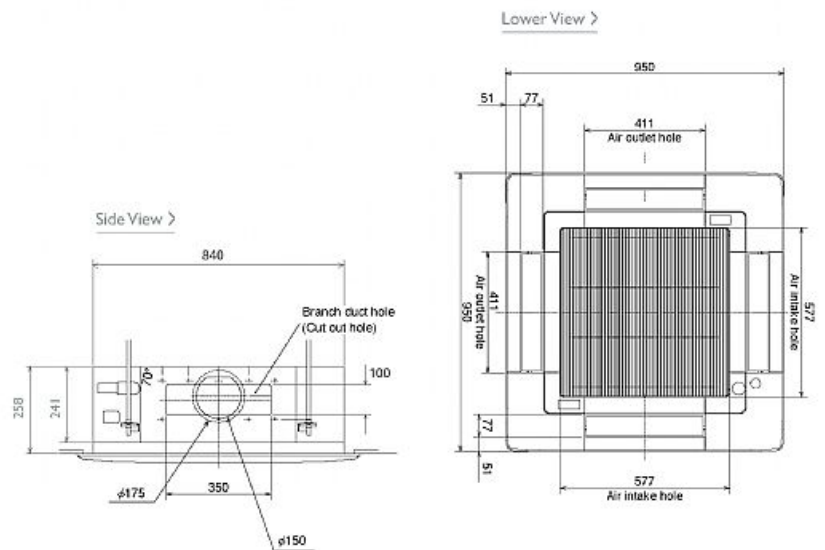
Capacity (kW):	
Heating (Nominal) (Low - High)	6.00 (2.50 - 7.30)
Cooling (Nominal) (Low - High)	5.00 (2.30 - 5.60)
Heating (UK) (Low - High)	5.10 (2.15 - 6.20)
Cooling (UK) (Low - High)	4.50 (2.05 - 5.05)
SHF R410A (Nominal)	0.86
COP / EER (Nominal)	3.7 / 3.23
Energy Label Heating / Cooling	A / A
Width (grille) - mm	840 (950)
Depth (grille) - mm	840 (950)
Height (grille) - mm	258 (30)
Weight (grille) - kg	24 (5)
Airflow (m3/min) - Lo-Mi1-Mi2-Hi	14-15-16-18
Noise (dBA) - Lo-Mi1-Mi2-Hi	28-29-31-33
Pipe Size Gas mm (in)	12.7 (1/2)
Pipe Size Liquid mm (in)	6.35 (1/4)
Electrical Supply	Fed by Outdoor Unit
Phase	Single
Fuse Rating (BS88) - HRC (A)	6
Interconnecting Cable No. Cores	4
Grille Ref	PLP-6AA
Remote Controller Ref	PAR-21MAA

PUHZ-RP50VHA2 Outdoor Unit

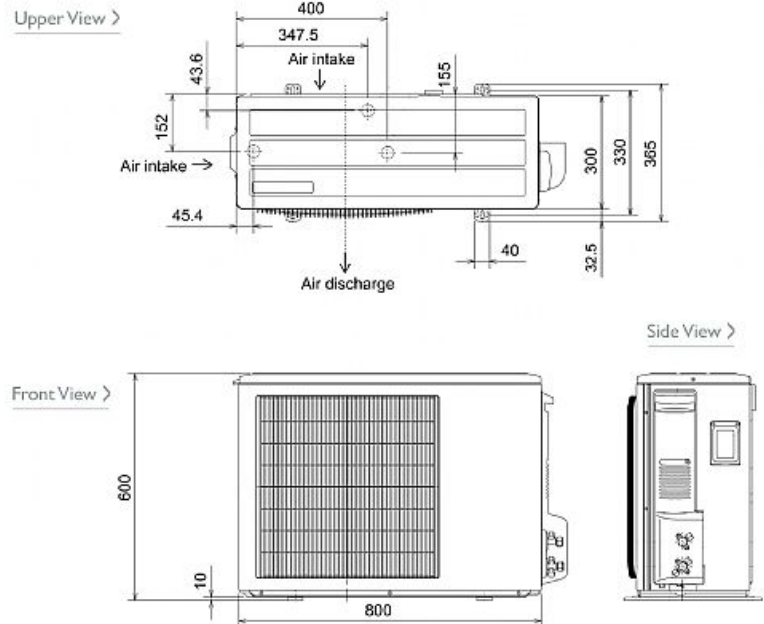
Width - mm	800
Depth - mm	300 + 23
Height - mm	600
Weight - kg	45
Noise (dBA) (Heating / Cooling)	46 / 44
Electrical Supply	220-240v, 50Hz
Phase	Single
Fuse Rating (BS88) - HRC (A)	16
System Power Input (kW) - Heating (Nominal)	1.62
System Power Input (kW) - Cooling (Nominal)	1.55
System Power Input (kW) - Heating (UK)	1.44
System Power Input (kW) - Cooling (UK)	1.32
Starting Current (A)	5
System Running Current (A) - Heating / Cooling	7.26 / 6.95
Mains Cable No. Cores	3
Max Pipe Length (m)	50
Max Height Difference (m)	30
Charge (kg) - 30m	2.5

Dimensions

PLA-RP50AA



PUHZ-RP50VHA2



Telephone: 01707 282880

Email: air.conditioning@meuk.mee.com Website: <http://www.mitsubishielectric.co.uk/aircon>

Mitsubishi Electric reserves the right to make any variation in technical specification to the equipment described, or to withdraw or replace products without prior notification or public announcement.

Tel:
Fax:

