



PLA-RP140AA2

Power Inverter Heat Pump

R410A 4-Way Blow Ceiling Cassette System

Advanced inverter technology makes the Mr Slim Power Inverter the number one choice for improving comfort. They provide energy savings of up to 70% annually when compared to a previous non-inverter model. Operating noise has also been reduced thanks to improvements in fan design, while existing pipe work is reusable for easier maintenance and installation.

- **Airflow controllable for ceiling heights up to 4.2m**
- **Electronic fan speed control**
- **Quiet start up cycle**



Pictures not to scale

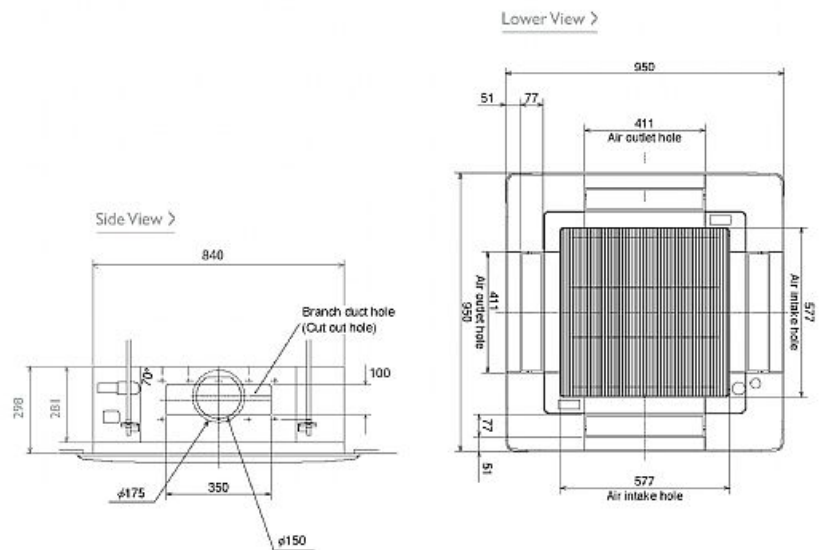
Product Details

PLA-RP140AA2 Indoor Unit	
Capacity (kW):	
Heating (Nominal) (Low - High)	16.00 (5.00 - 18.00)
Cooling (Nominal) (Low - High)	14.00 (5.50 - 15.30)
Heating (UK) (Low - High)	13.60 (4.25 - 15.30)
Cooling (UK) (Low - High)	12.60 (4.95 - 13.75)
SHF R410A (Nominal)	0.71
COP / EER (Nominal)	3.41 / 3.01
Energy Label Heating / Cooling	B / B
Width (grille) - mm	840 (950)
Depth (grille) - mm	840 (950)
Height (grille) - mm	298 (30)
Weight (grille) - kg	32 (5)
Airflow (m3/min) - Lo-Mi1-Mi2-Hi	24-25-27-30
Noise (dBA) - Lo-Mi1-Mi2-Hi	37-40-43-45
Pipe Size Gas mm (in)	15.88 (5/8)
Pipe Size Liquid mm (in)	9.52 (3/8)
Electrical Supply	Fed by Outdoor Unit
Phase	Single
Fuse Rating (BS88) - HRC (A)	6
Interconnecting Cable No. Cores	4
Grille Ref	PLP-6AA
Remote Controller Ref	PAR-21MAA

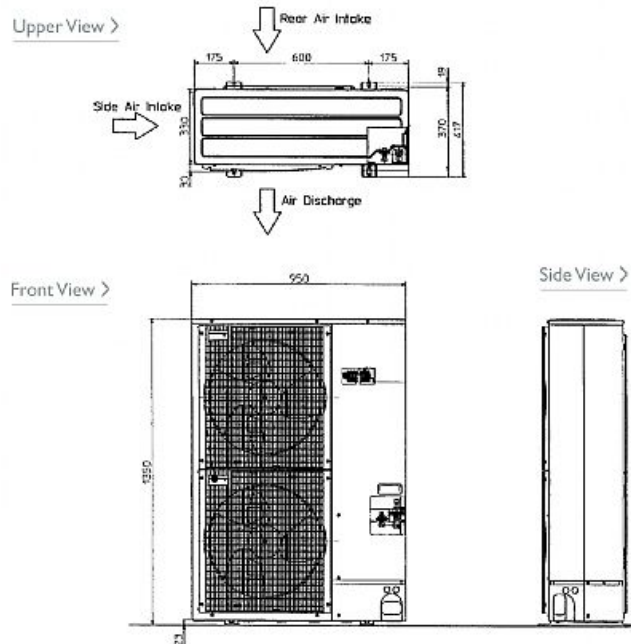
PUHZ-RP140VHA2 Outdoor Unit	
Width - mm	950
Depth - mm	330 + 30
Height - mm	1350
Weight - kg	116
Noise (dBA) (Heating / Cooling)	52 / 50
Electrical Supply	220-240v, 50Hz
Phase	Single
Fuse Rating (BS88) - HRC (A)	40
System Power Input (kW) - Heating (Nominal)	4.69
System Power Input (kW) - Cooling (Nominal)	4.65
System Power Input (kW) - Heating (UK)	4.17
System Power Input (kW) - Cooling (UK)	3.95
Starting Current (A)	5
System Running Current (A) - Heating / Cooling	20.84 / 20.57
Mains Cable No. Cores	3
Max Pipe Length (m)	75
Max Height Difference (m)	30
Charge (kg) - 30m	5

Dimensions

PLA-RP140AA2



PUHZ-RP140VHA2



Telephone: 01707 282880

Email: air.conditioning@meuk.mee.com Website: <http://www.mitsubishielectric.co.uk/aircon>

Mitsubishi Electric reserves the right to make any variation in technical specification to the equipment described, or to withdraw or replace products without prior notification or public announcement.

Tel:
Fax:

