



PLA-RP125AA2

Heat Pump

R410A 4-Way Blow Ceiling Cassette System

- Airflow controllable for ceiling heights up to 4.2m
- Electronic fan speed control
- Quiet start up cycle



Pictures not to scale

Product Details

PLA-RP125AA2 Indoor Unit

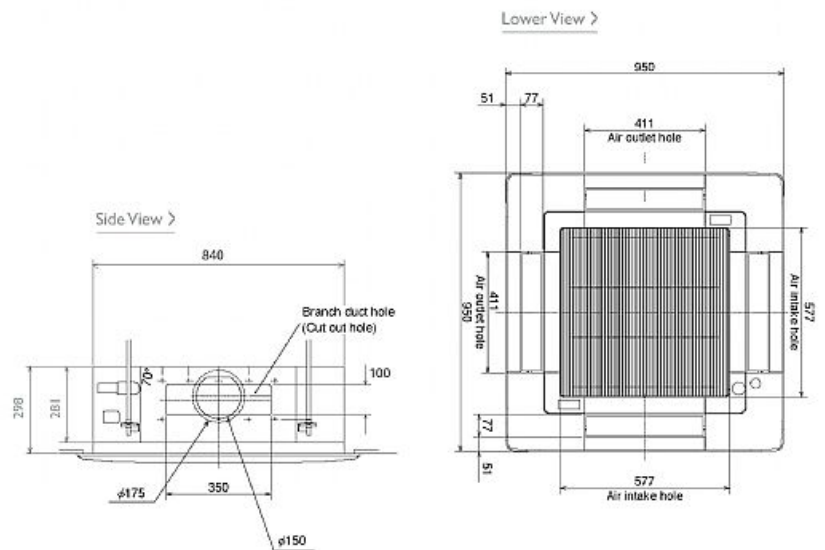
Capacity (kW):	
Heating (Nominal)	14.30
Cooling (Nominal)	12.30
Heating (UK)	12.15
Cooling (UK)	11.05
SHF R410A (Nominal)	0.74
Width (grille) - mm	840 (950)
Depth (grille) - mm	840 (950)
Height (grille) - mm	298 (30)
Weight (grille) - kg	32 (5)
Airflow (m3/min) - Lo-Mi1-Mi2-Hi	24-25-27-30
Noise (dBA) - Lo-Mi1-Mi2-Hi	37-40-43-45
Pipe Size Gas mm (in)	15.88 (5/8)
Pipe Size Liquid mm (in)	9.52 (3/8)
Electrical Supply	Fed by Outdoor Unit
Phase	Single
Fuse Rating (BS88) - HRC (A)	6
Interconnecting Cable No. Cores	4
Grille Ref	PLP-6AA
Remote Controller Ref	PAR-21MAA

PUH-P125YHA Outdoor Unit

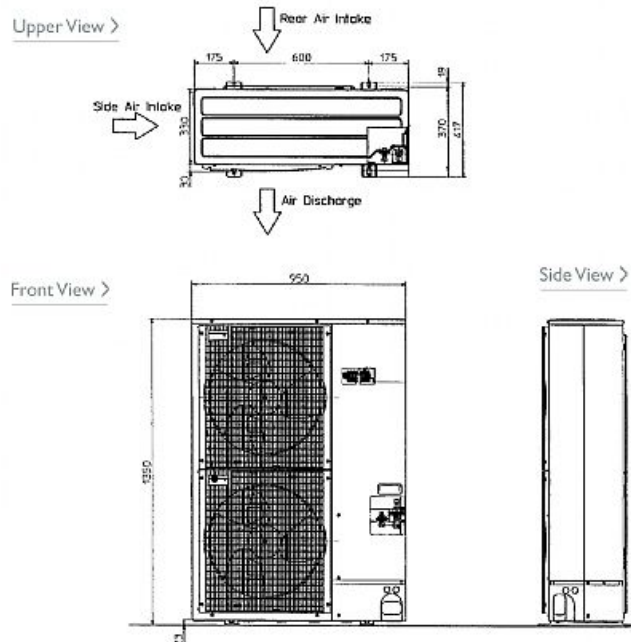
Width - mm	950
Depth - mm	330 + 30
Height - mm	1350
Weight - kg	131
Noise (dBA) (Heating / Cooling)	52 / 50
Electrical Supply	380-415v, 50Hz
Phase	3
Fuse Rating (BS88) - HRC (A)	20
System Power Input (kW) - Heating (Nominal)	4.23
System Power Input (kW) - Cooling (Nominal)	4.36
System Power Input (kW) - Heating (UK)	3.76
System Power Input (kW) - Cooling (UK)	3.71
Starting Current (A)	70
System Running Current (A) - Heating / Cooling	7.49 / 7.71
Mains Cable No. Cores	5
Max Pipe Length (m)	50
Max Height Difference (m)	50
Charge (kg) - 30m	5

Dimensions

PLA-RP125AA2



PUH-P125YHA



Telephone: 01707 282880

Email: air.conditioning@meuk.mee.com Website: <http://www.mitsubishielectric.co.uk/aircon>

Tel:
Fax:

Mitsubishi Electric reserves the right to make any variation in technical specification to the equipment described, or to withdraw or replace products without prior notification or public announcement.

