



# PLA-RP100AA2

Heat Pump

R410A 4-Way Blow Ceiling Cassette System

- Airflow controllable for ceiling heights up to 4.2m
- Electronic fan speed control
- Quiet start up cycle



Pictures not to scale

## Product Details

### PLA-RP100AA2 Indoor Unit

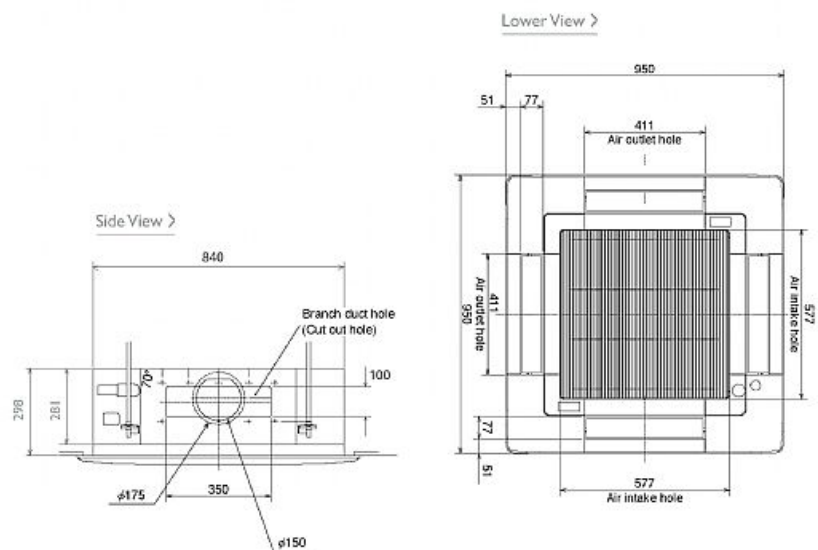
Capacity (kW):	
Heating (Nominal)	11.50
Cooling (Nominal)	10.00
Heating (UK)	9.80
Cooling (UK)	9.00
SHF R410A (Nominal)	0.78
Width (grille) - mm	840 (950)
Depth (grille) - mm	840 (950)
Height (grille) - mm	298 (30)
Weight (grille) - kg	32 (5)
Airflow (m <sup>3</sup> /min) - Lo-Mi1-Mi2-Hi	19-21-23-27
Noise (dBA) - Lo-Mi1-Mi2-Hi	33-36-39-41
Pipe Size Gas mm (in)	15.88 (5/8)
Pipe Size Liquid mm (in)	9.52 (3/8)
Electrical Supply	Fed by Outdoor Unit
Phase	Single
Fuse Rating (BS88) - HRC (A)	6
Interconnecting Cable No. Cores	4
Grille Ref	PLP-6AA
Remote Controller Ref	PAR-21MAA

### PUH-P100YHA Outdoor Unit

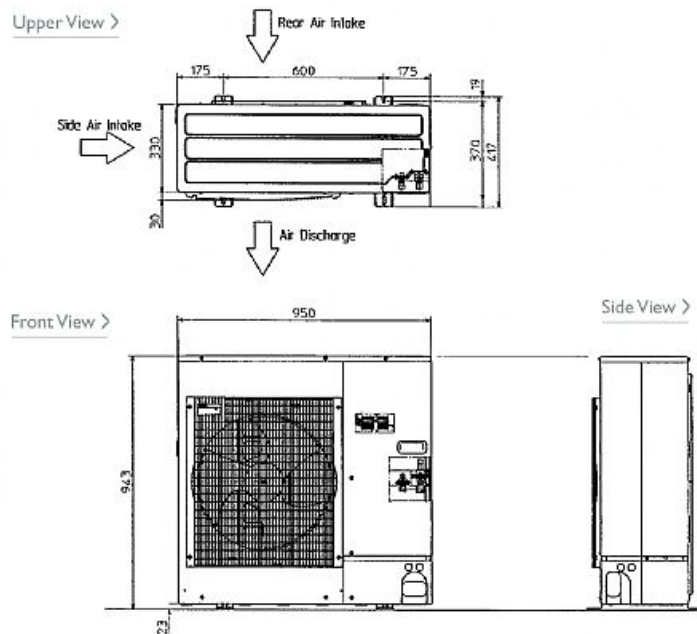
Width - mm	950
Depth - mm	330 + 30
Height - mm	943
Weight - kg	94
Noise (dBA) (Heating / Cooling)	52 / 50
Electrical Supply	380-415v, 50Hz
Phase	3
Fuse Rating (BS88) - HRC (A)	20
System Power Input (kW) - Heating (Nominal)	3.4
System Power Input (kW) - Cooling (Nominal)	3.53
System Power Input (kW) - Heating (UK)	3.03
System Power Input (kW) - Cooling (UK)	3
Starting Current (A)	45
System Running Current (A) - Heating / Cooling	6.1 / 6.31
Mains Cable No. Cores	5
Max Pipe Length (m)	50
Max Height Difference (m)	50
Charge (kg) - 30m	4.4

## Dimensions

PLA-RP100AA2



PUH-P100YHA



Telephone: 01707 282880

Email: [air.conditioning@meuk.mee.com](mailto:air.conditioning@meuk.mee.com) Website: <http://www.mitsubishielectric.co.uk/aircon>

Tel:  
Fax:



Mitsubishi Electric reserves the right to make any variation in technical specification to the equipment described, or to withdraw or replace products without prior notification or public announcement.