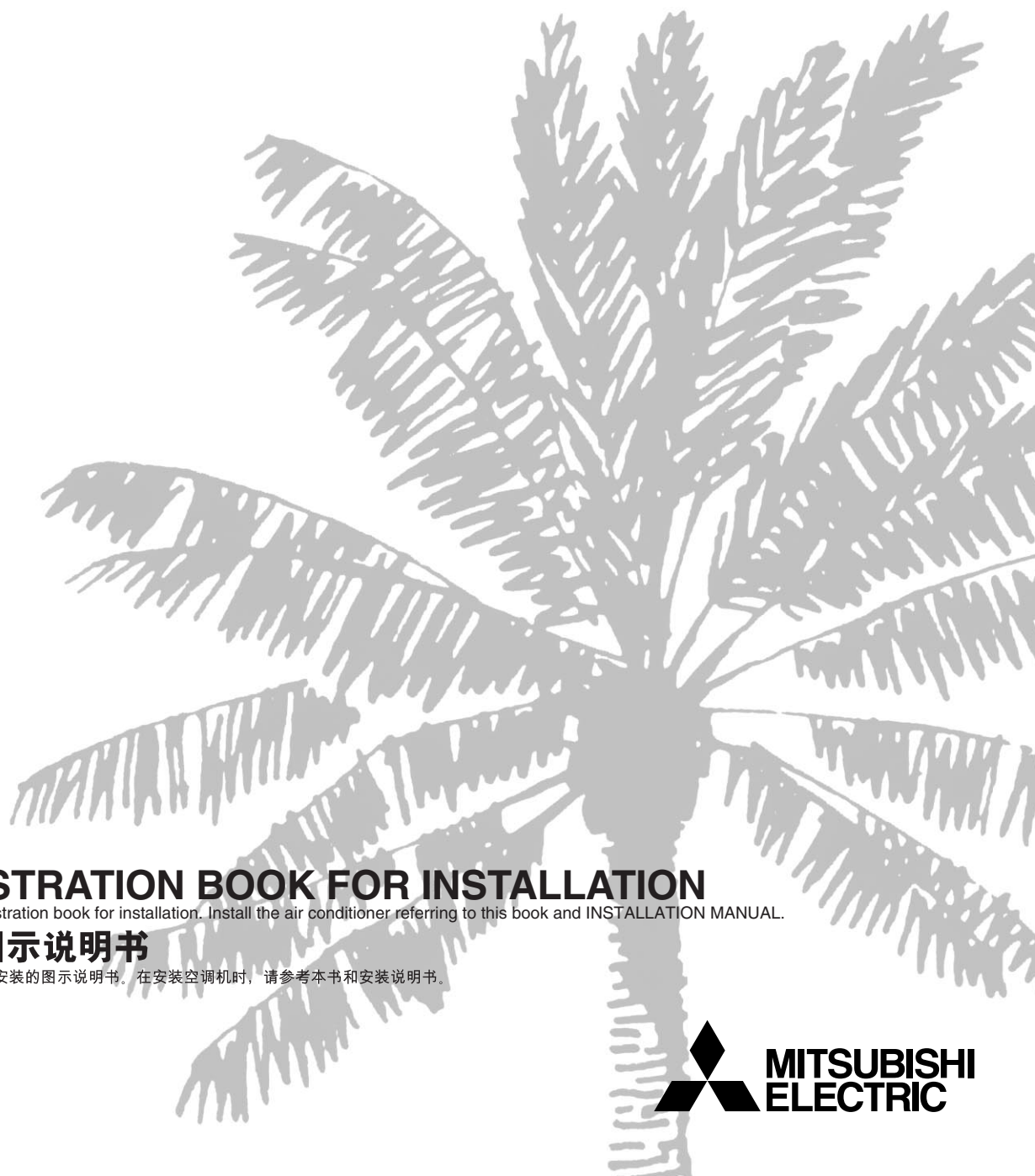


**MITSUBISHI ELECTRIC**  
**Air-Conditioners**

**Mr. SLIM**

**PLA-RP·AA / PUHZ-RP·HA**

**FOR INSTALLER**  
**安装人员适用**



**E**

**ILLUSTRATION BOOK FOR INSTALLATION**

This is an illustration book for installation. Install the air conditioner referring to this book and INSTALLATION MANUAL.

**中**

**安装图示说明书**

本手册为用于安装的图示说明书。在安装空调机时，请参考本书和安装说明书。

 **MITSUBISHI  
ELECTRIC**

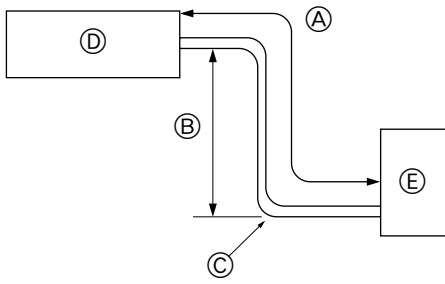


Fig. 2-1

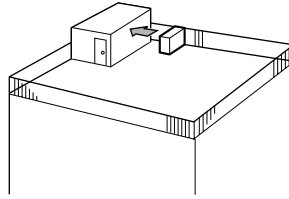


Fig. 2-2

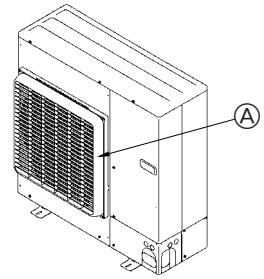


Fig. 2-3

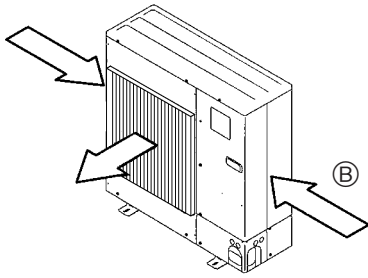


Fig. 2-4

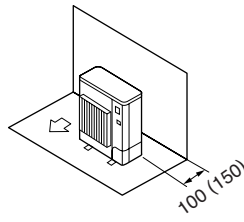


Fig. 2-5

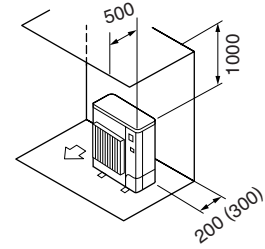


Fig. 2-6

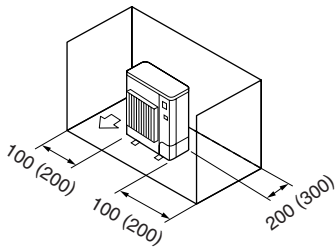


Fig. 2-7

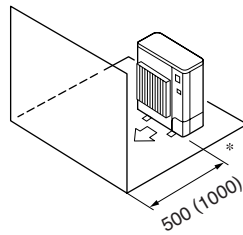


Fig. 2-8

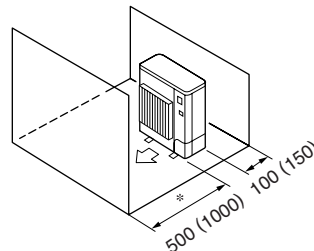


Fig. 2-9

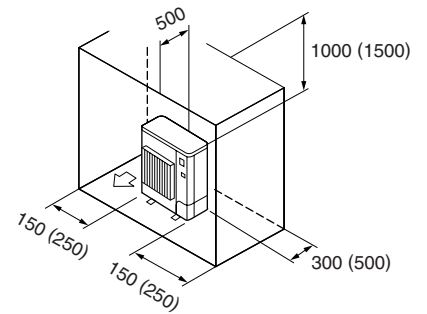


Fig. 2-10

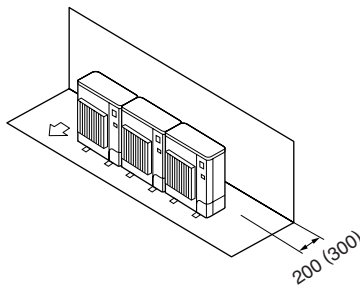


Fig. 2-11

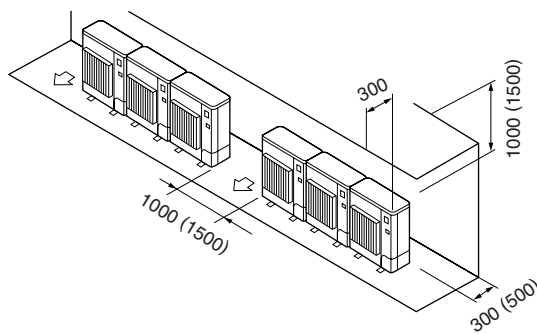


Fig. 2-12

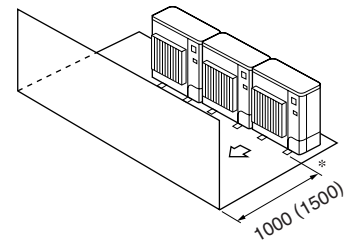


Fig. 2-13

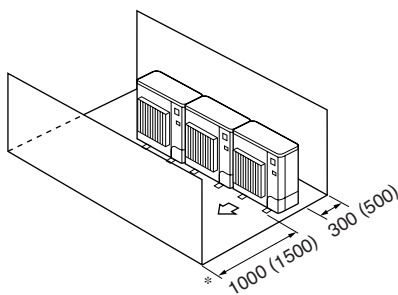


Fig. 2-14

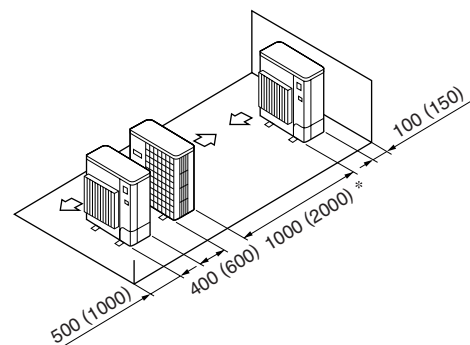


Fig. 2-15

2

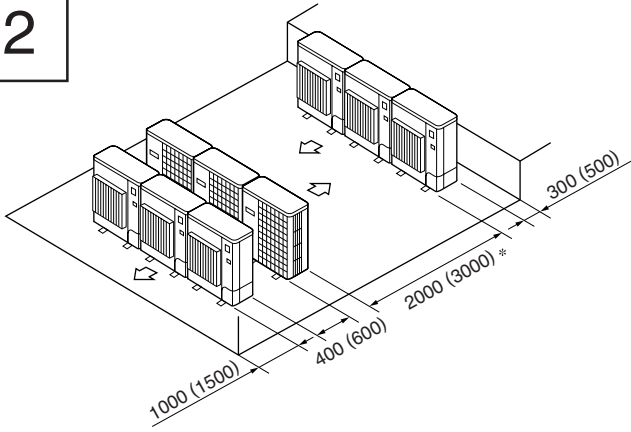


Fig. 2-16

(mm)

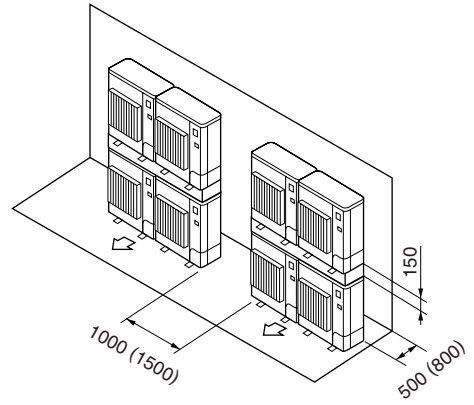


Fig. 2-17

3

(mm)

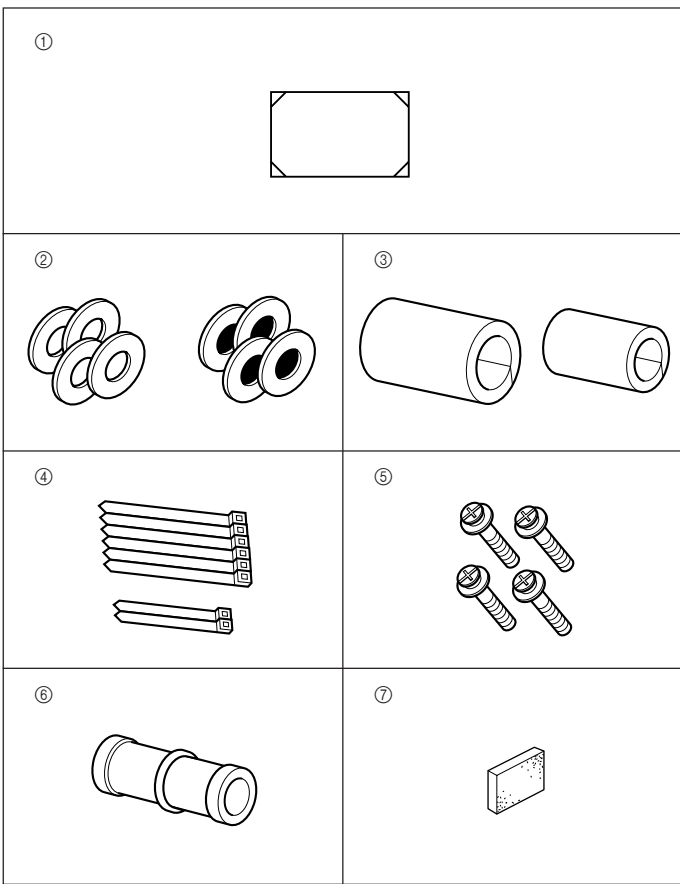


Fig. 3-1

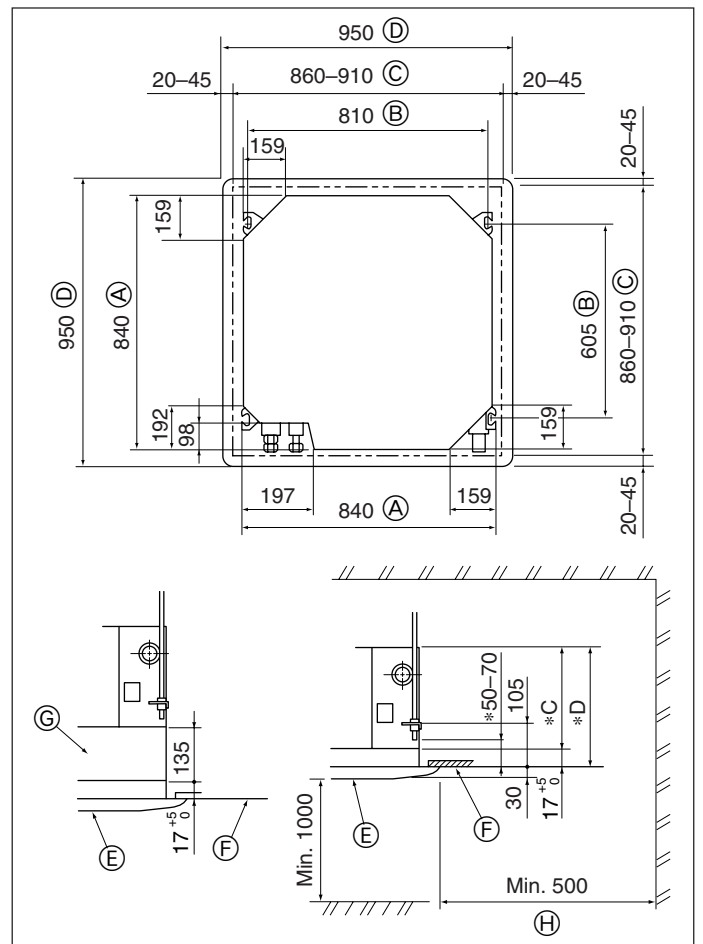


Fig. 3-2

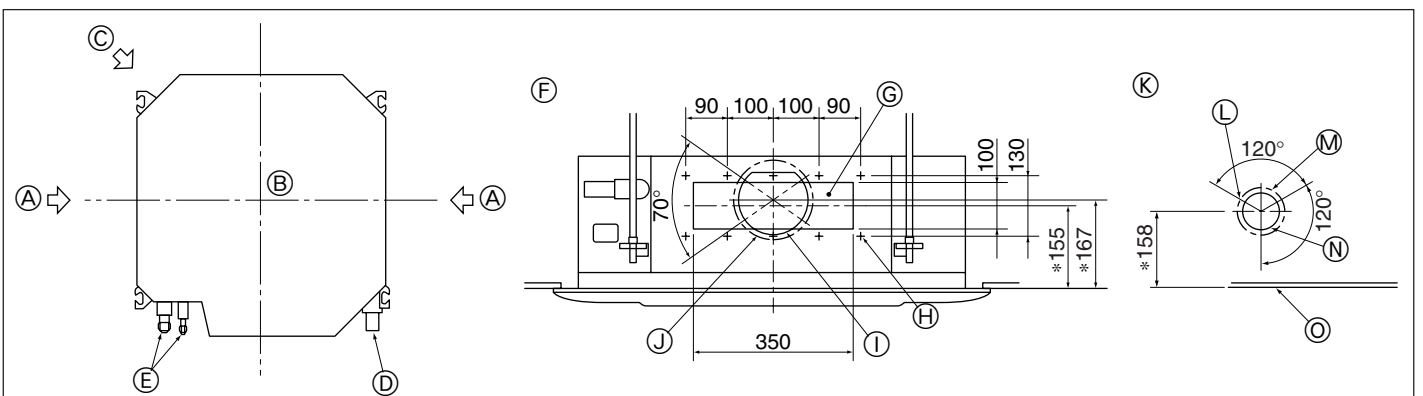


Fig. 3-3

3

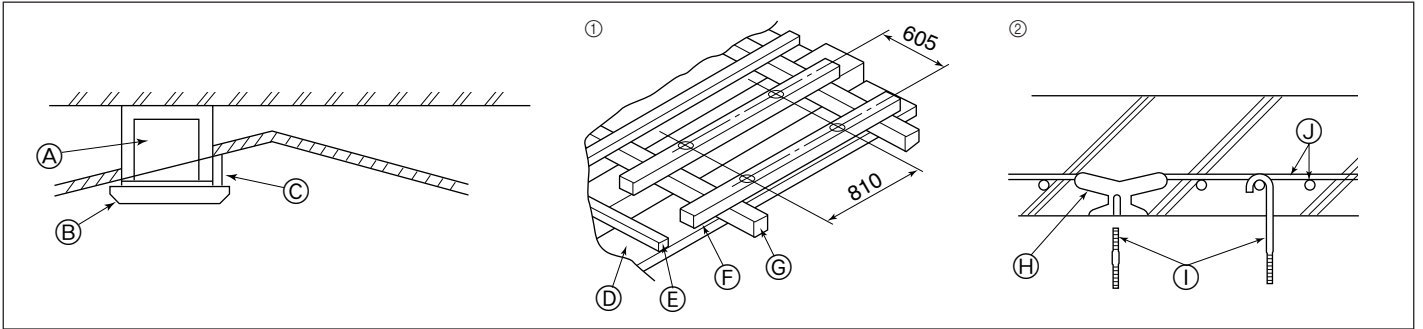


Fig. 3-4

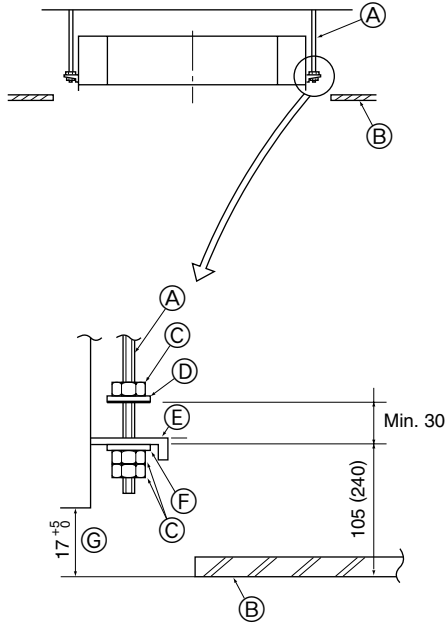


Fig. 3-5

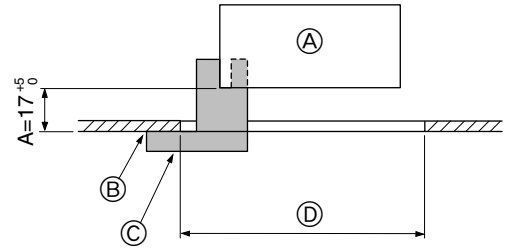


Fig. 3-6

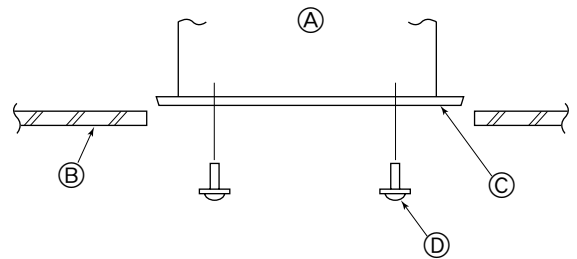


Fig. 3-7

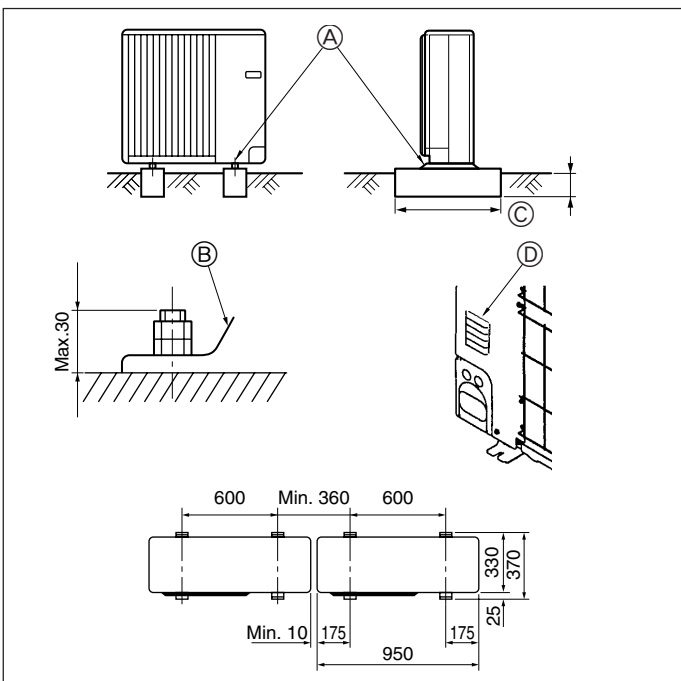


Fig. 4-1

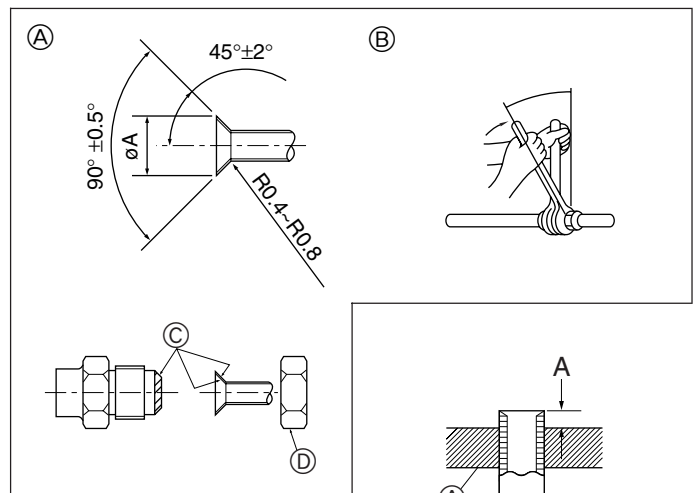


Fig. 5-1

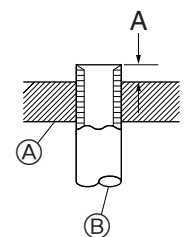


Fig. 5-2

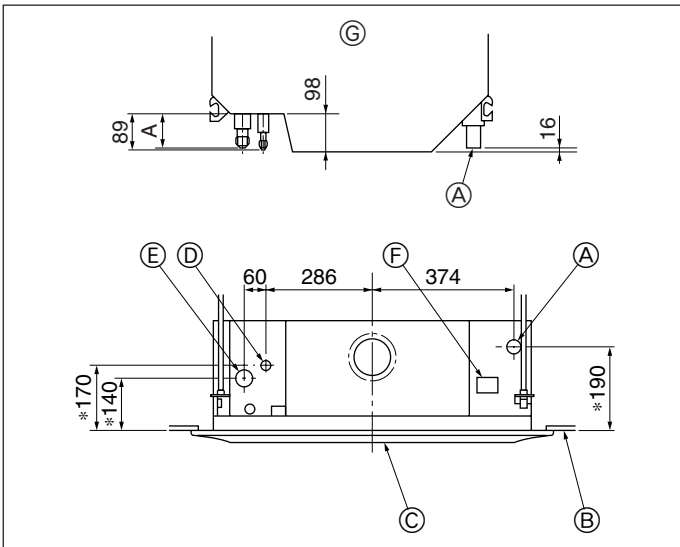


Fig. 5-3

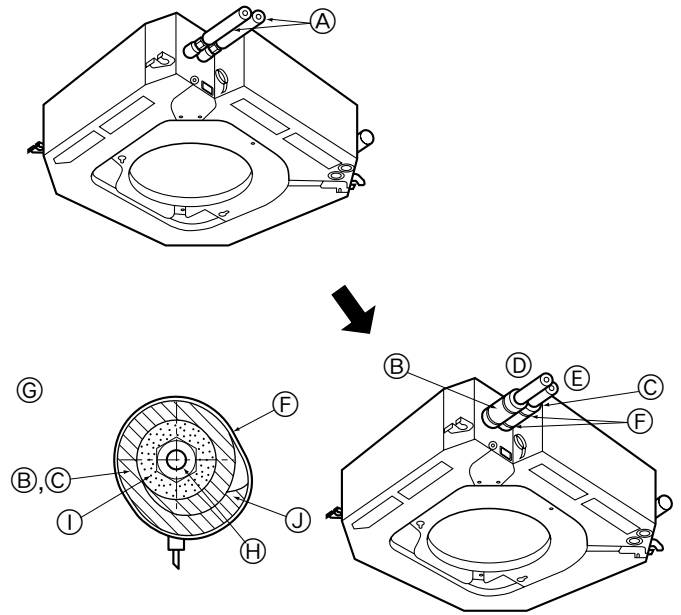


Fig. 5-4

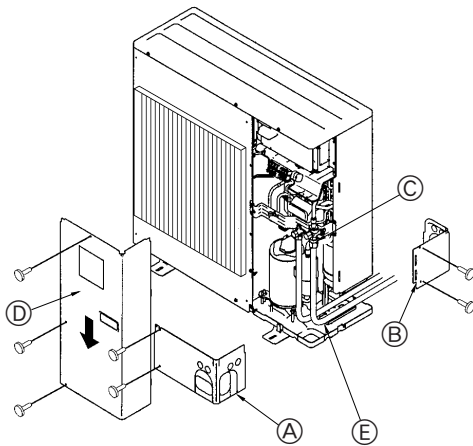


Fig. 5-5

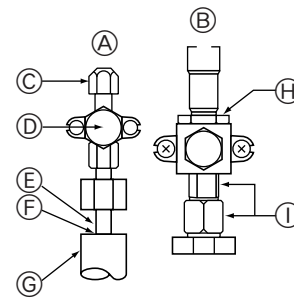


Fig. 5-6

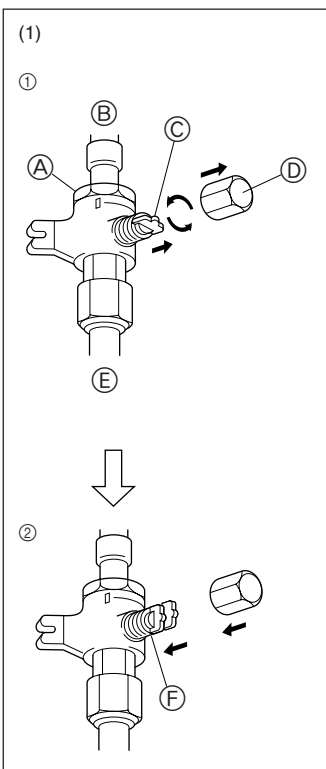


Fig. 5-7

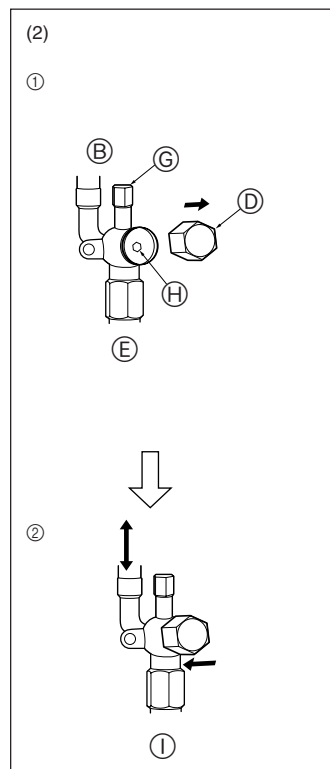
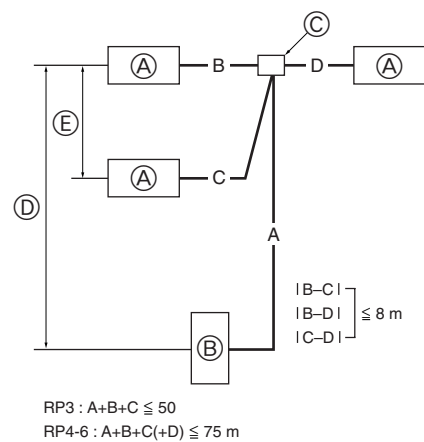


Fig. 5-8



RP3 :  $A+B+C \leq 50$   
 RP4-6 :  $A+B+C(+D) \leq 75$  m

Fig. 5-9

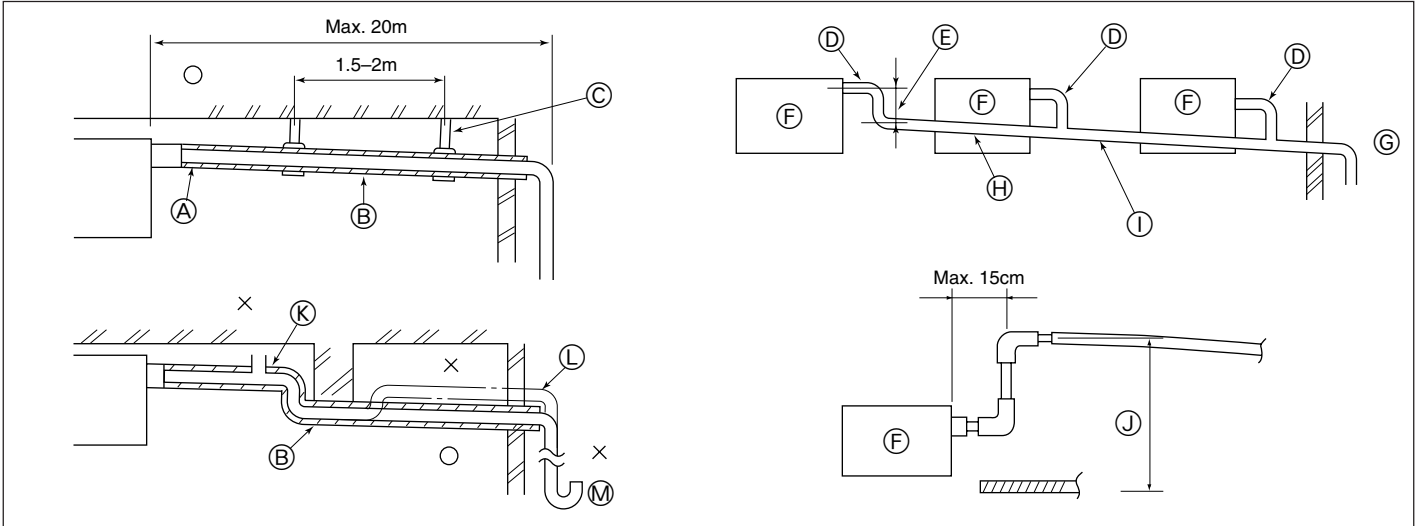


Fig. 6-1

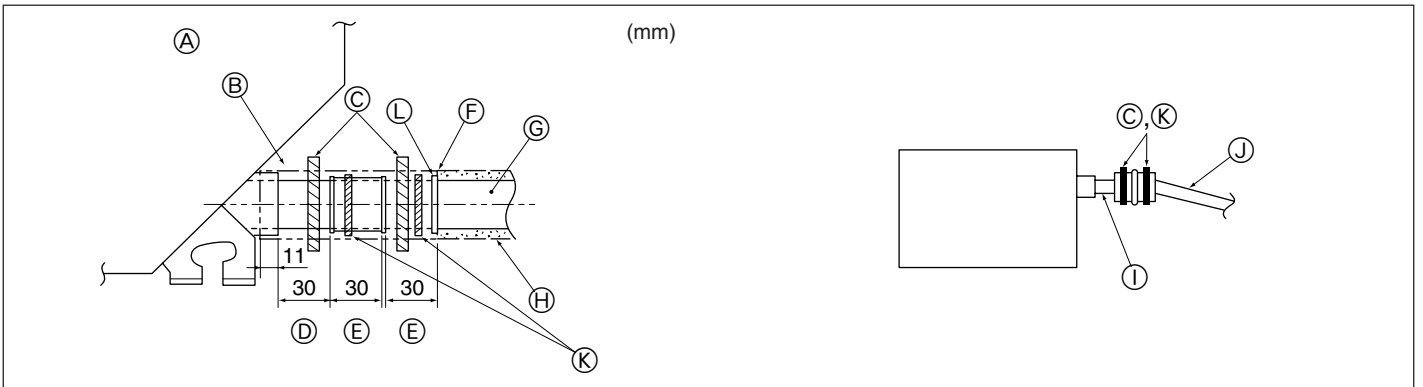


Fig. 6-2

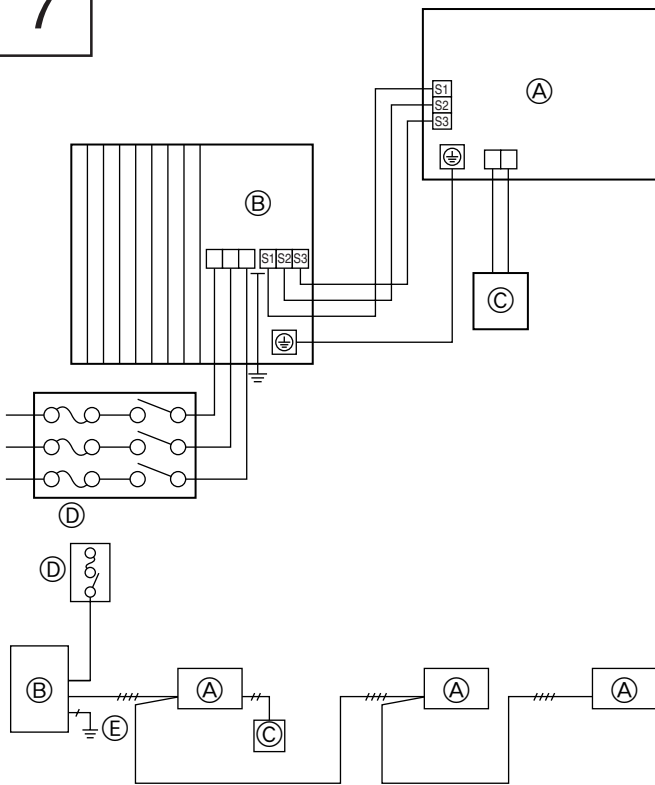


Fig. 7-1

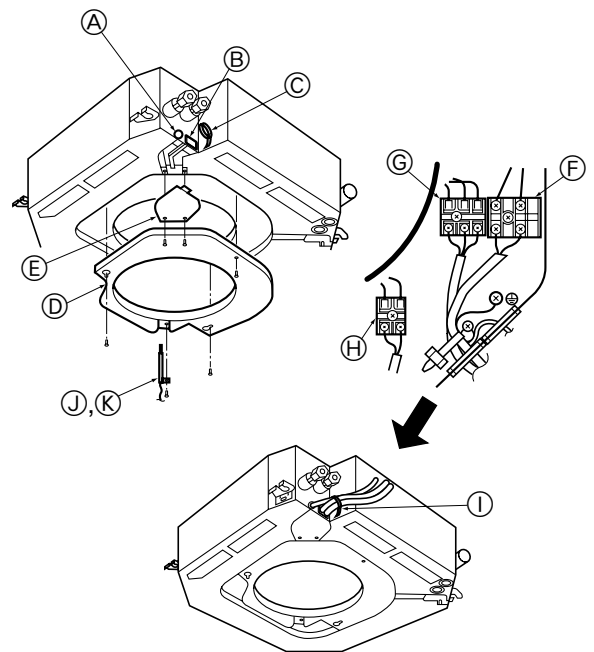


Fig. 7-2

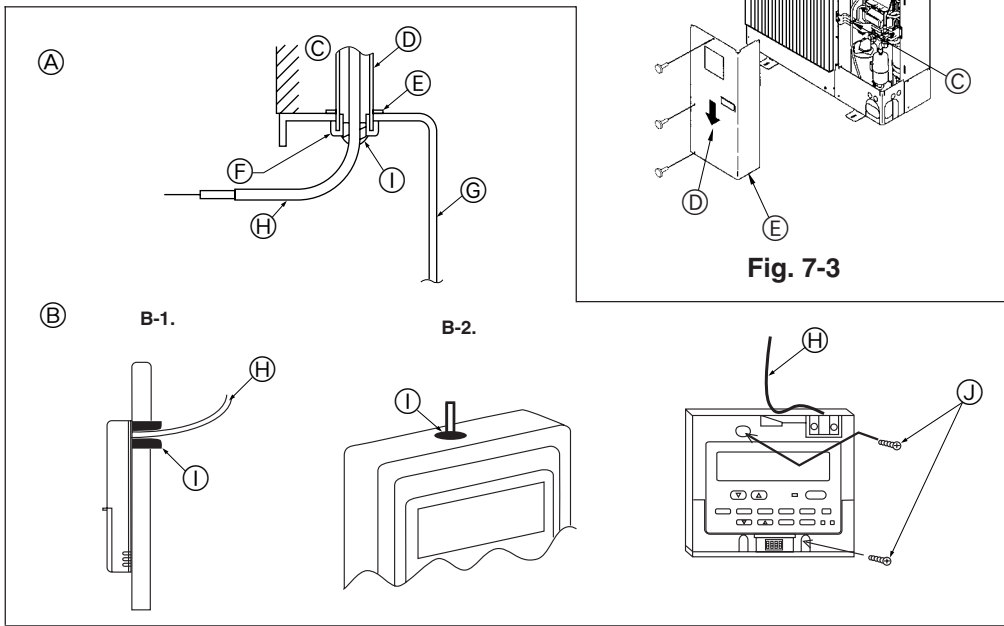


Fig. 7-3

Fig. 7-5

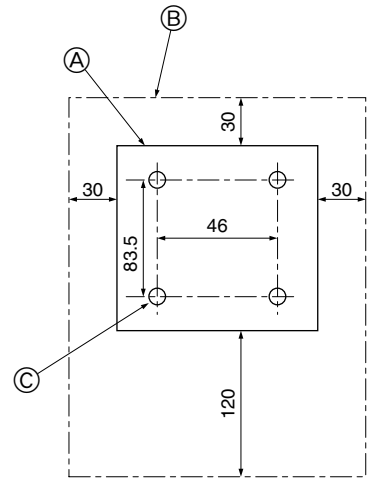


Fig. 7-4

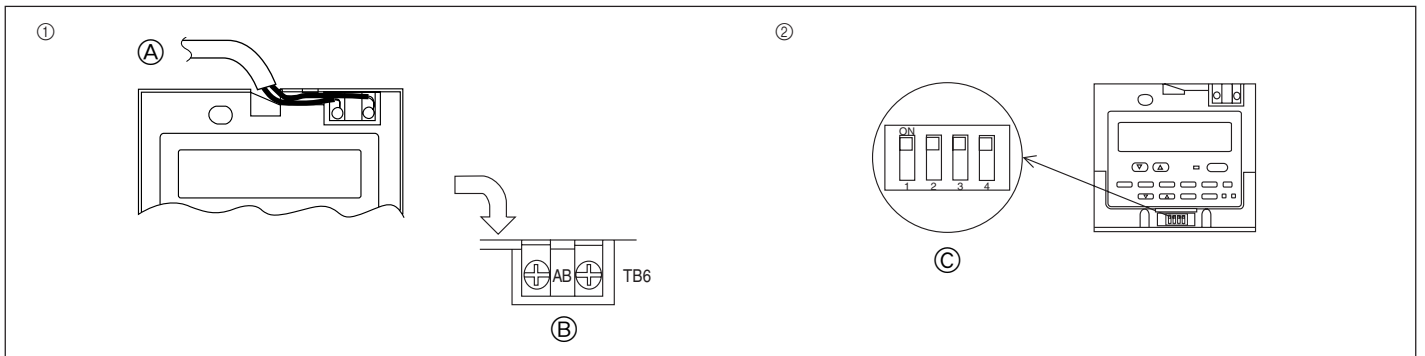


Fig. 7-6

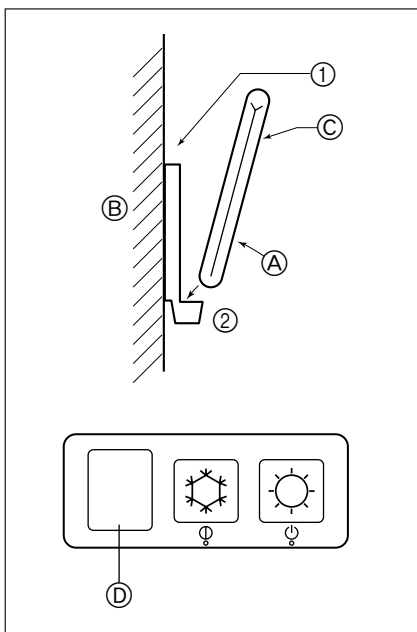


Fig. 7-7

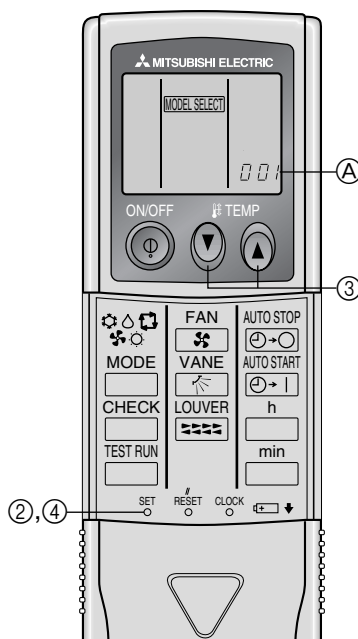


Fig. 7-8

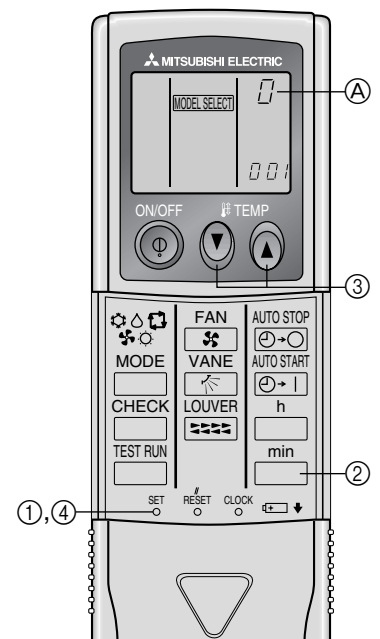


Fig. 7-9

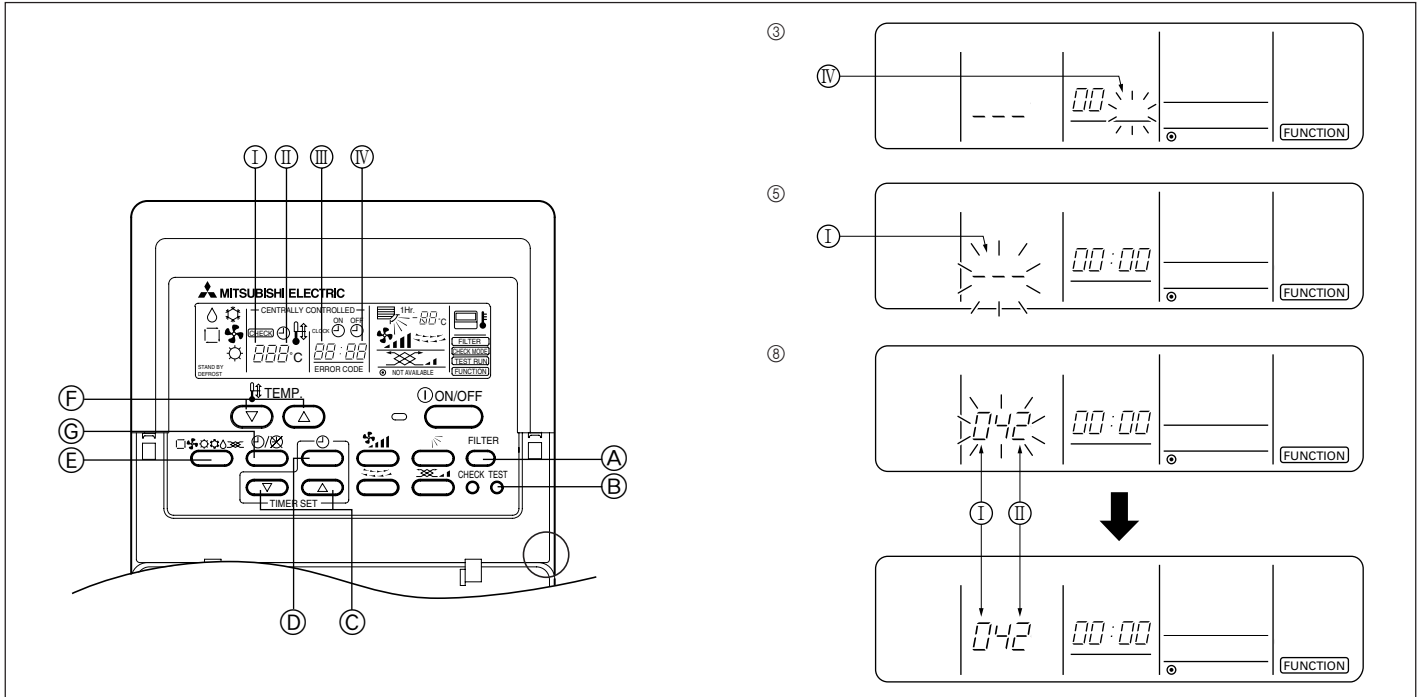


Fig. 7-10

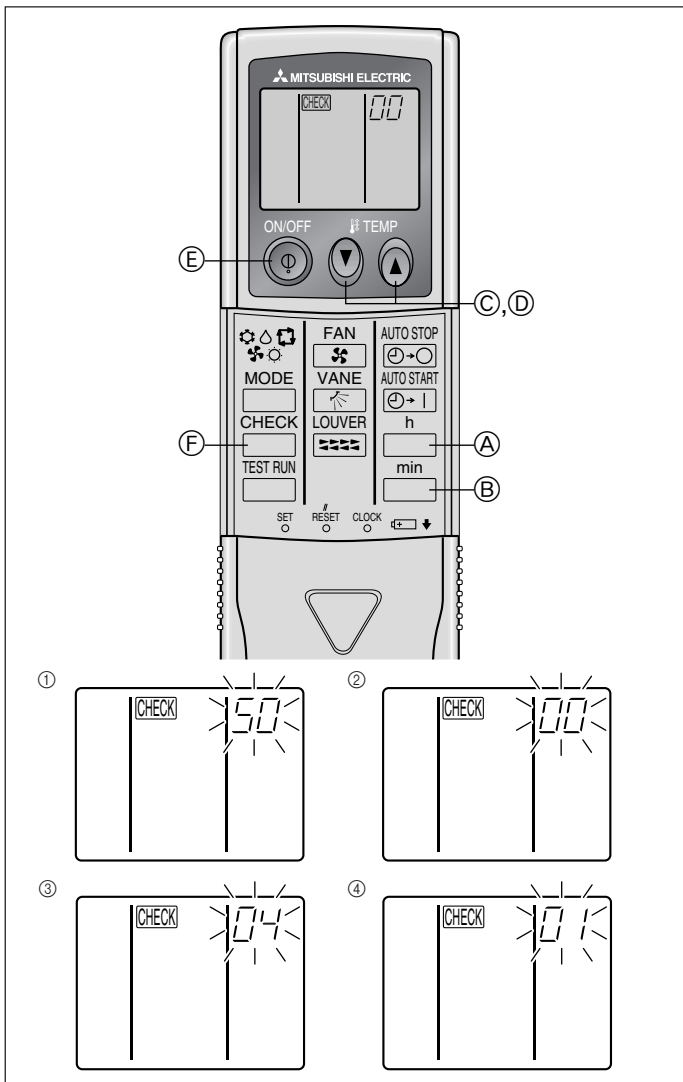


Fig. 7-11

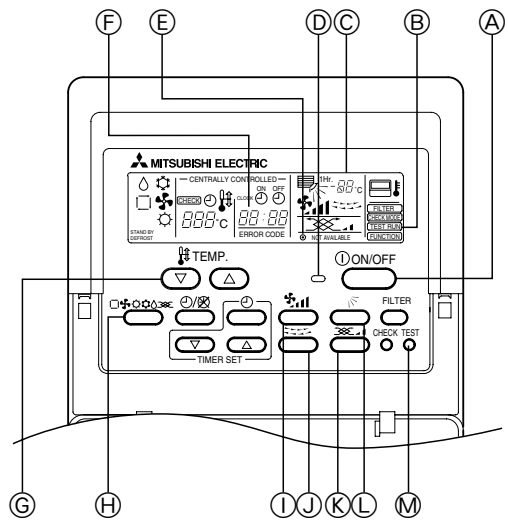


Fig. 8-1



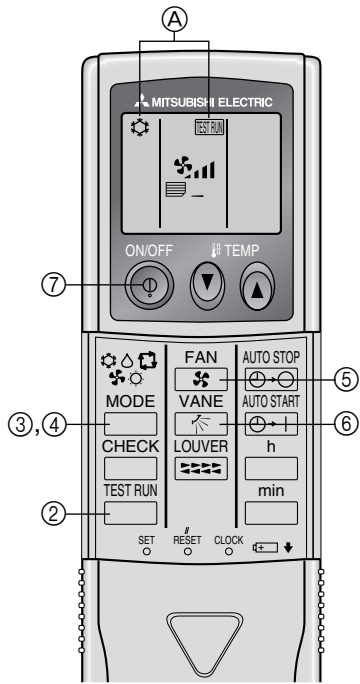


Fig. 8-2

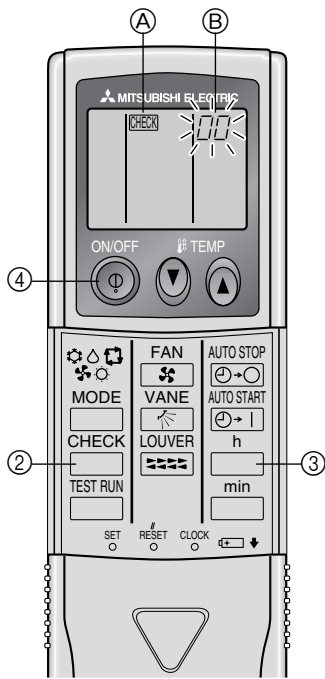


Fig. 8-4

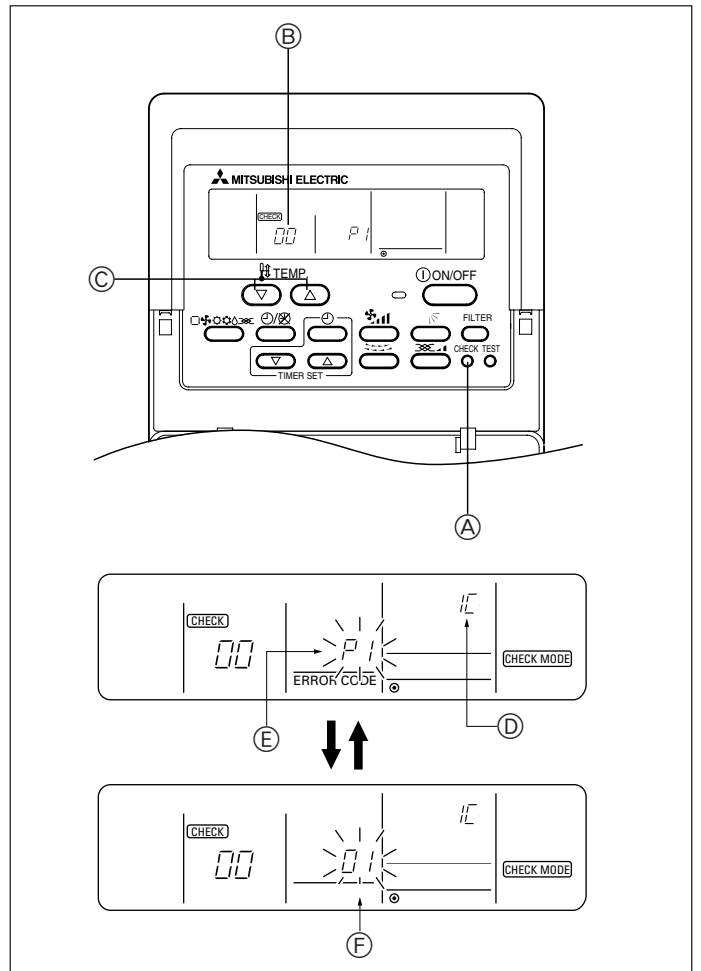


Fig. 8-3

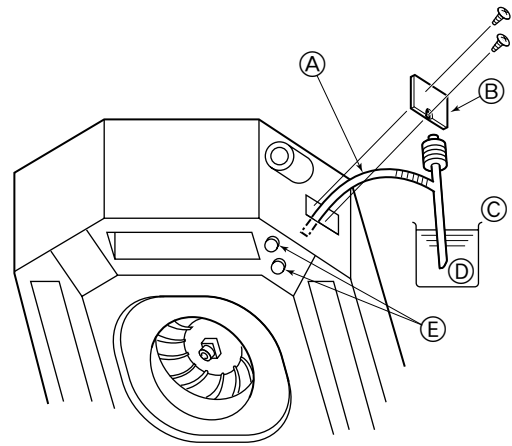


Fig. 8-5

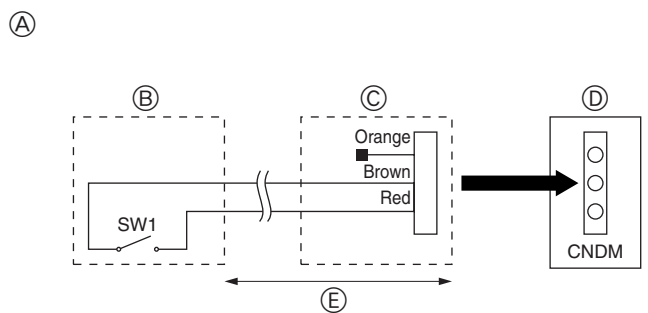
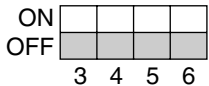


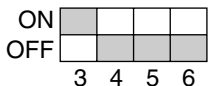
Fig. 9-1

10

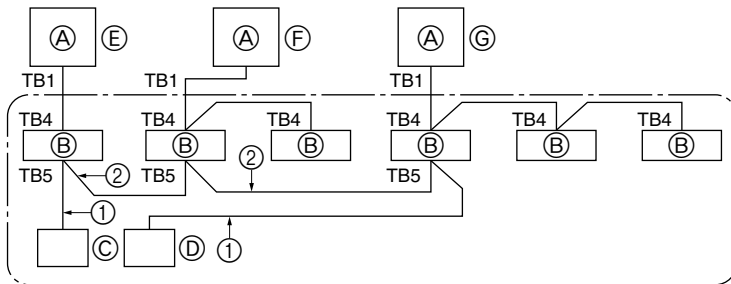
© SW 1-3-6



© SW 1-3-6



© SW 1-3-6



11

(mm)

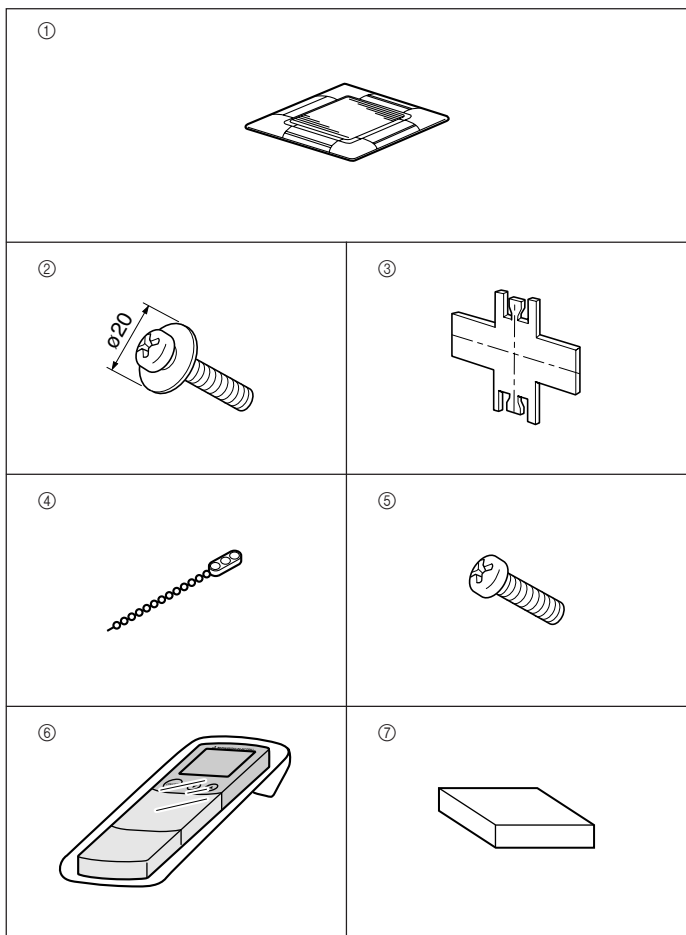


Fig. 11-1

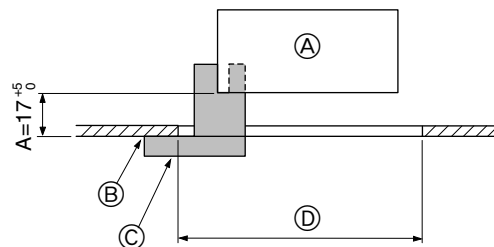


Fig. 11-2

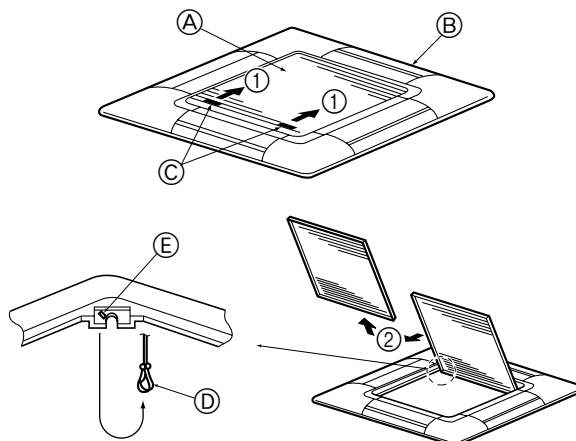


Fig. 11-3

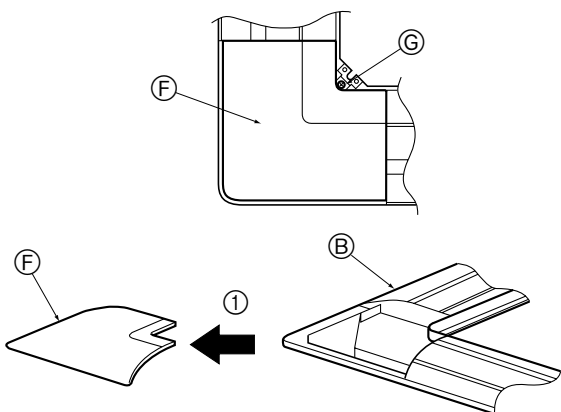


Fig. 11-4

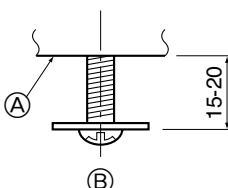


Fig. 11-5

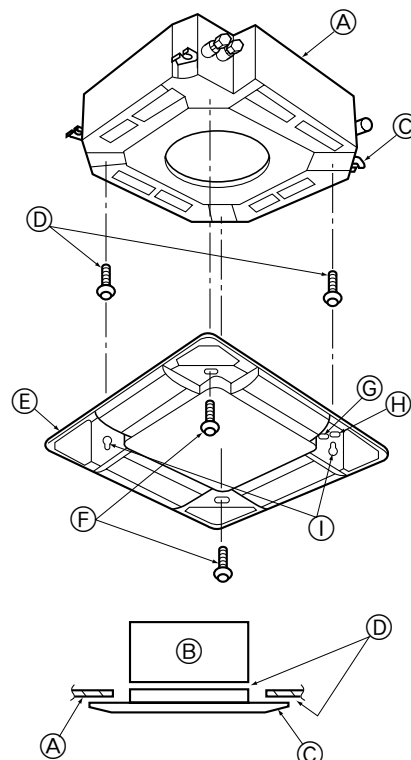


Fig. 11-6

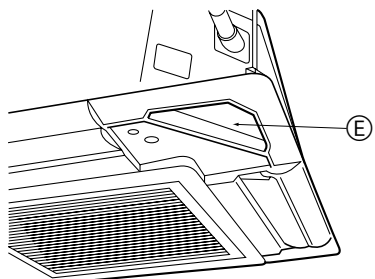


Fig. 11-7

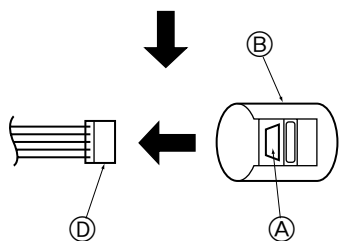
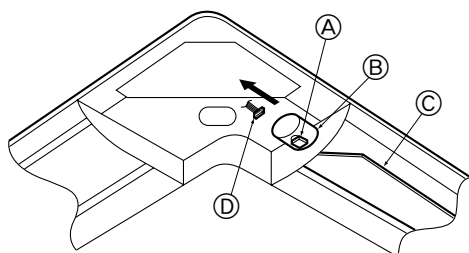


Fig. 11-9

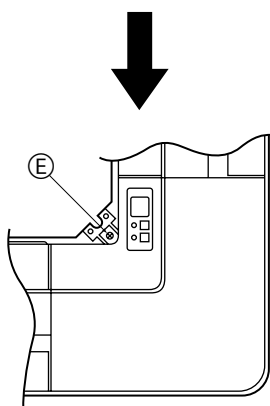
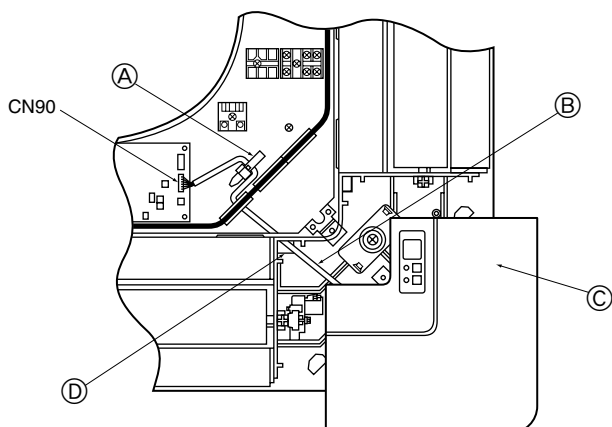


Fig. 11-10

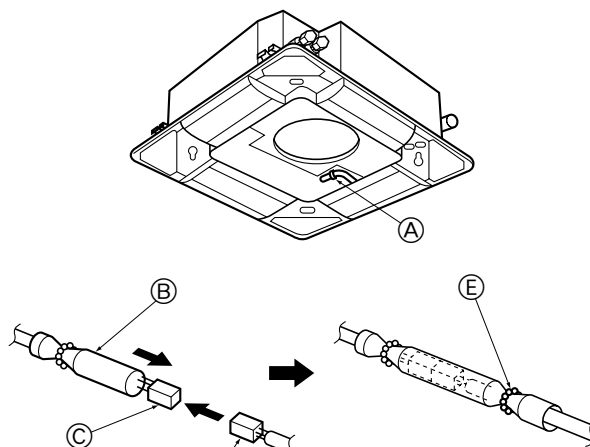


Fig. 11-8

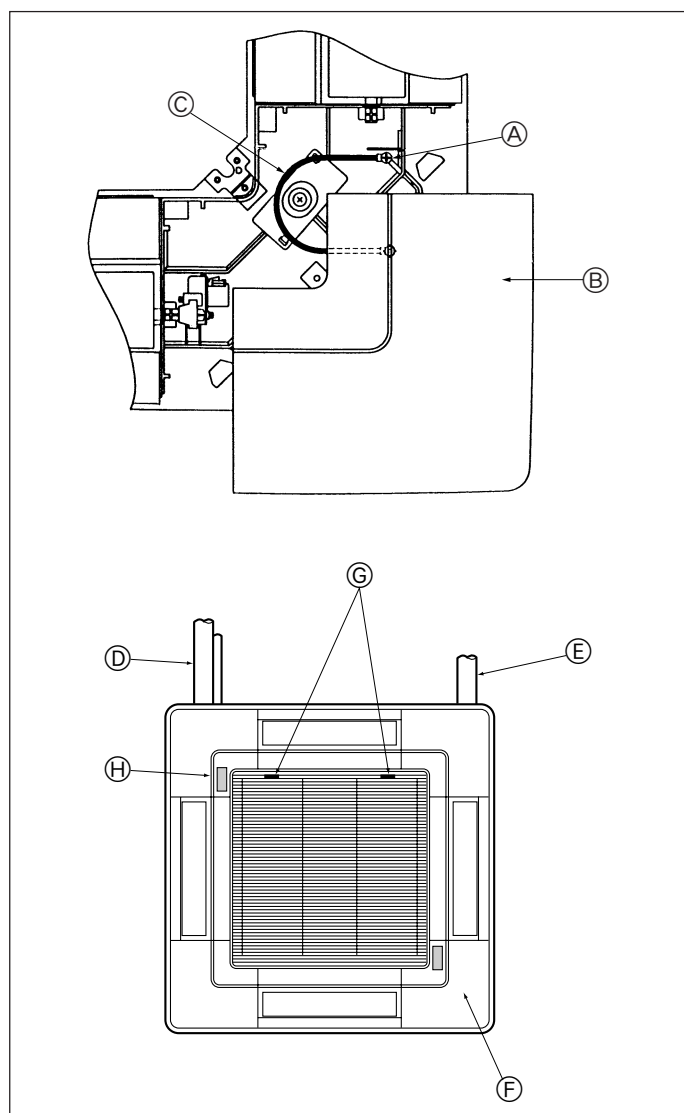


Fig. 11-11

