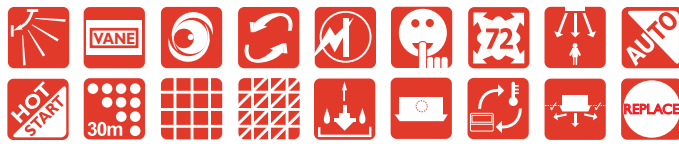
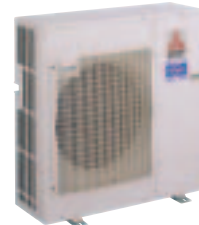
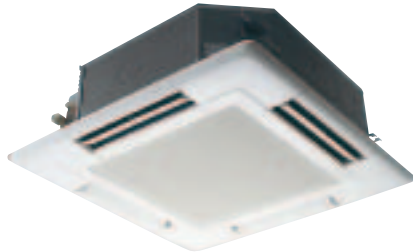


# PLA-RP Power Inverter Heat Pump

## R410A 4-Way Blow Ceiling Cassette System

New Series

- > Airflow controllable for ceiling heights up to 4.2m
- > Electronic fan speed control
- > Quiet start up cycle



Technical Information >>

### PLA-RP - INDOOR UNITS

MODEL REFERENCE		PLA-RP1.6AA	PLA-RP2AA	PLA-RP2.5AA	PLA-RP3AA	PLA-RP4AA	PLA-RP5AA	PLA-RP6AA
CAPACITY (kW)	Heating (nominal)	4.1 (1.6-5.2)	6.0 (2.5-7.3)	7.0 (2.8-8.2)	8.0 (3.5-10.2)	11.2 (4.5-14.0)	14.0 (5.0-16.0)	16.0 (5.0-18.0)
	Cooling (nominal)	3.6 (1.6-4.5)	5.0 (2.3-5.6)	6.0 (2.7-6.7)	7.1 (3.3-8.1)	10.0 (4.9-11.4)	12.5 (5.5-14.0)	14.0 (5.5-15.3)
	Heating (UK)	3.5 (1.35-4.4)	5.1 (2.15-6.2)	5.95 (2.4-6.95)	6.8 (3.0-8.65)	9.5 (3.85-11.9)	11.9 (4.25-13.6)	13.6 (4.25-15.3)
	Cooling (UK)	3.25 (1.45-4.05)	4.5 (2.05-5.05)	5.4 (2.45-6.05)	6.4 (2.95-7.3)	9.0 (4.4-10.25)	11.25 (4.95-12.6)	12.6 (4.95-13.75)
SHF (nominal)		0.89	0.86	0.78	0.74	0.75	0.74	0.71
COP / EER (nominal)		3.66 / 3.36	3.70 / 3.23	3.78 / 3.65	3.42 / 3.60	3.30 / 3.30	3.28 / 3.21	3.26 / 2.81
ENERGY LABEL	Heating/Cooling	A / A	A / A	A / A	B / A	C / A	C / A	C / C
AIRFLOW (m3/min)	Lo-Mi1-Mi2-Hi	11-12-13-14	14-15-16-18	14-15-16-18	15-16-18-20	20-23-26-28	22-25-28-30	22-25-28-30
PIPE SIZE mm(in)	Gas	12.7 (1/2")	12.7 (1/2")	15.88 (5/8")	15.88 (5/8")	15.88 (5/8")	15.88 (5/8")	15.88 (5/8")
	Liquid	6.35 (1/4")	6.35 (1/4")	9.52 (3/8")	9.52 (3/8")	9.52 (3/8")	9.52 (3/8")	9.52 (3/8")
NOISE (dBA)	Lo-Mi1-Mi2-Hi	27-28-29-31	28-29-31-33	28-29-31-33	28-30-32-34	33-36-39-41	37-40-43-45	37-40-43-45
DIMENSIONS (mm)	Width	840 (950)	840 (950)	840 (950)	840 (950)	840 (950)	840 (950)	840 (950)
	Depth	840 (950)	840 (950)	840 (950)	840 (950)	840 (950)	840 (950)	840 (950)
	Height	258 (30)	258 (30)	258 (30)	258 (30)	298 (30)	298 (30)	298 (30)
WEIGHT (kg)	Unit	24	24	24	24	30	32	32
	Panel	5	5	5	5	5	5	5
ELECTRICAL SUPPLY		Fed by Outdoor Unit	Fed by Outdoor Unit	Fed by Outdoor Unit	Fed by Outdoor Unit	Fed by Outdoor Unit	Fed by Outdoor Unit	Fed by Outdoor Unit
PHASE		Single	Single	Single	Single	Single	Single	Single
FUSE RATING (BS88) – HRC (A)		6	6	6	6	6	6	6
INTERCONNECTING CABLE No. CORES		4	4	4	4	4	4	4
GRILLE REFERENCE		PLP6AA	PLP6AA	PLP6AA	PLP6AA	PLP6AA	PLP6AA	PLP6AA
WIRED REMOTE CONTROLLER REFERENCE		PAR20MAA	PAR20MAA	PAR20MAA	PAR20MAA	PAR20MAA	PAR20MAA	PAR20MAA

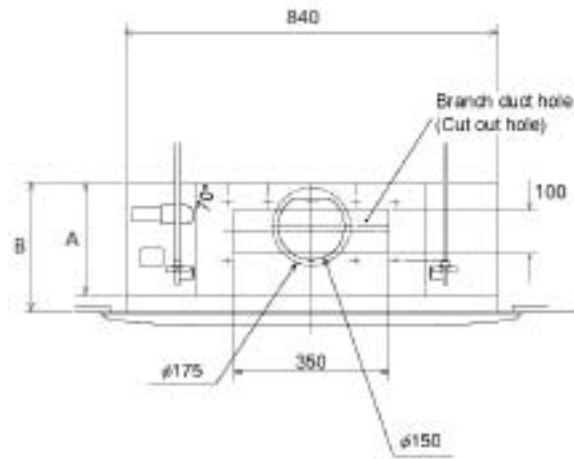
### PUHZ-RP - OUTDOOR UNITS

MODEL REFERENCE		PUHZ-RP1.6VHA	PUHZ-RP2VHA	PUHZ-RP2.5VHA	PUHZ-RP3VHA	PUHZ-RP4VHA	PUHZ-RP5VHA	PUHZ-RP6VHA
NOISE (dBA)	Heating/Cooling	46 / 44	46 / 44	48 / 47	48 / 47	51 / 49	52 / 50	52 / 50
WEIGHT (kg)		45	45	75	75	121	121	121
DIMENSIONS (mm)	Width	800	800	950	950	950	950	950
	Depth	330 + 23	330 + 23	330 + 30	330 + 30	330 + 30	330 + 30	330 + 30
	Height	600	600	943	943	1350	1350	1350
ELECTRICAL SUPPLY		220-240v, 50Hz	220-240v, 50Hz	220-240v, 50Hz	220-240v, 50Hz	220-240v, 50Hz	220-240v, 50Hz	220-240v, 50Hz
PHASE		Single	Single	Single	Single	Single	Single	Single
SYSTEM POWER INPUT (kW)	Heating/Cooling (nominal)	1.12 / 1.07	1.62 / 1.55	1.85 / 1.65	2.34 / 1.97	3.39 / 3.03	4.27 / 3.89	4.91 / 4.99
	Heating/Cooling (UK)	1.00 / 0.91	1.44 / 1.32	1.65 / 1.40	2.08 / 1.68	3.02 / 2.58	3.80 / 3.31	4.37 / 4.25
STARTING CURRENT (A)		5	5	5	5	5	5	5
SYSTEM RUNNING CURRENT (A) Heating/Cooling		5.02 / 4.8	7.26 / 6.95	8.29 / 7.4	10.53 / 8.83	15.19 / 13.58	19.14 / 17.44	22.01 / 22.37
FUSE RATING (BS88) – HRC (A)		16	16	25	25	32	32	40
MAINS CABLE No. Cores		3	3	3	3	3	3	3
MAX PIPE LENGTH (m)		50	50	50	50	75	75	75
MAX HEIGHT DIFFERENCE (m)		30	30	30	30	30	30	30
CHARGE R410A (kg) - 30m		2.5	2.5	3.5	3.5	5.0	5.0	5.0

## INDOOR UNIT PLA-RPI.6-6AA

Ceiling Hole 860 ~ 910 x 860 ~ 910

Side View >



Models	A	B
Size 1.6-3	241	258
Size 4-6	281	298

Lower View >

