

PARTS CATALOG

Series PKA **Wall Mounted** **R32/R410A**

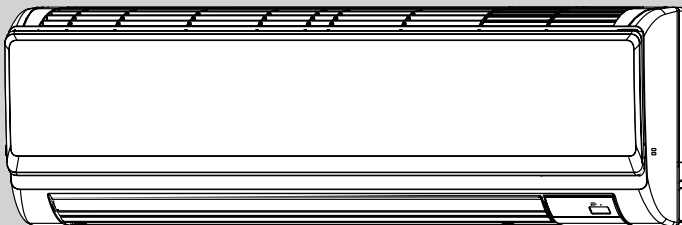
| Indoor unit [Model Name] | [Service Ref.] |
|-----------------------------|-------------------|
| PKA-M35HA | PKA-M35HA |
| PKA-M50HA | PKA-M50HA |
| PKA-M35HAL | PKA-M35HAL |
| PKA-M50HAL | PKA-M50HAL |

Note:
• RoHS compliant products have <G> mark on the spec name plate.

CONTENTS

1. RoHS PARTS LIST 2
2. OPTIONAL PARTS 6

SERVICE MANUAL (OCH660)



INDOOR UNIT

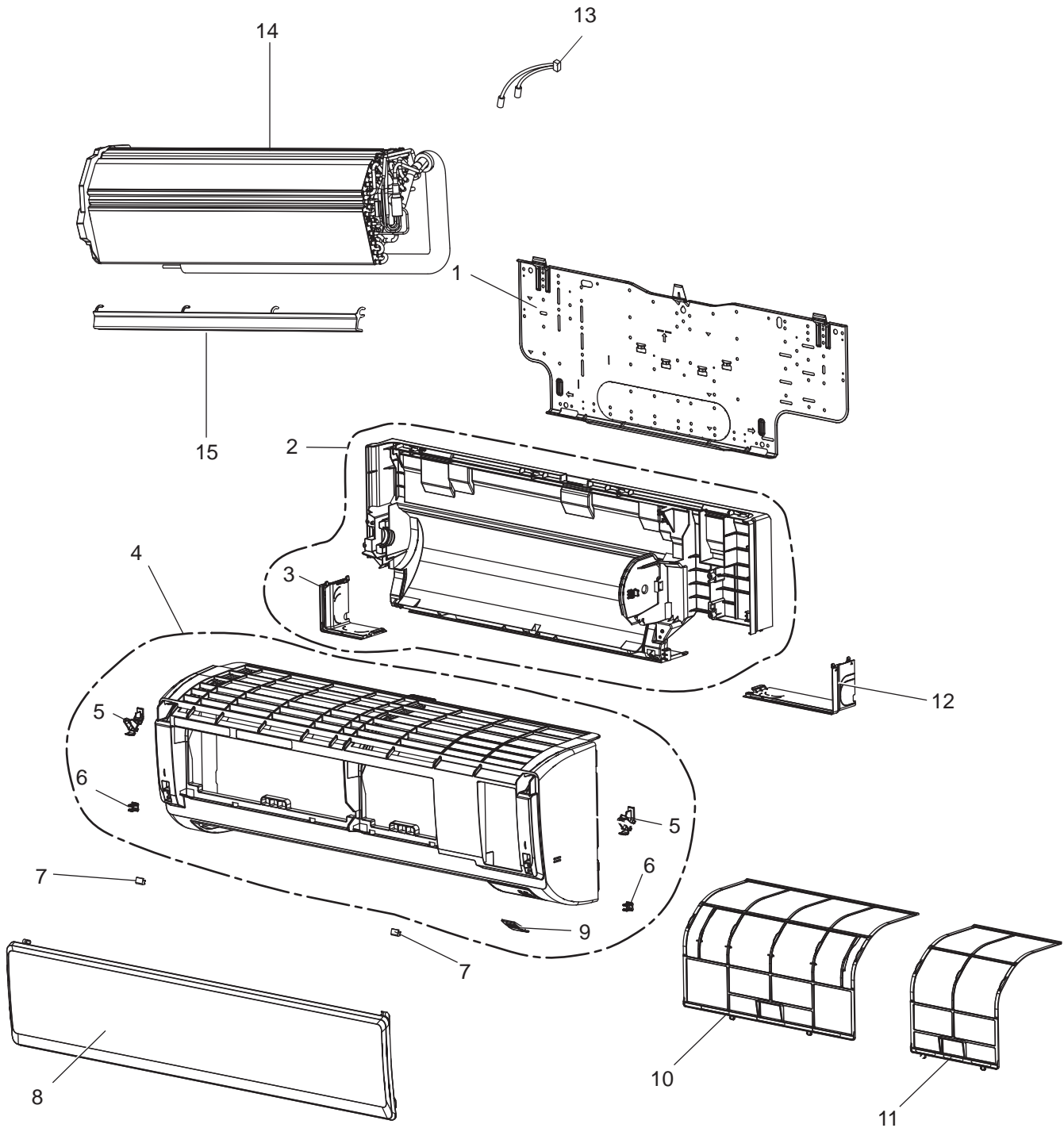
PANEL AND HEAT EXCHANGER PARTS

PKA-M35HA

PKA-M50HA

PKA-M35HAL

PKA-M50HAL



7KH00-A02GS

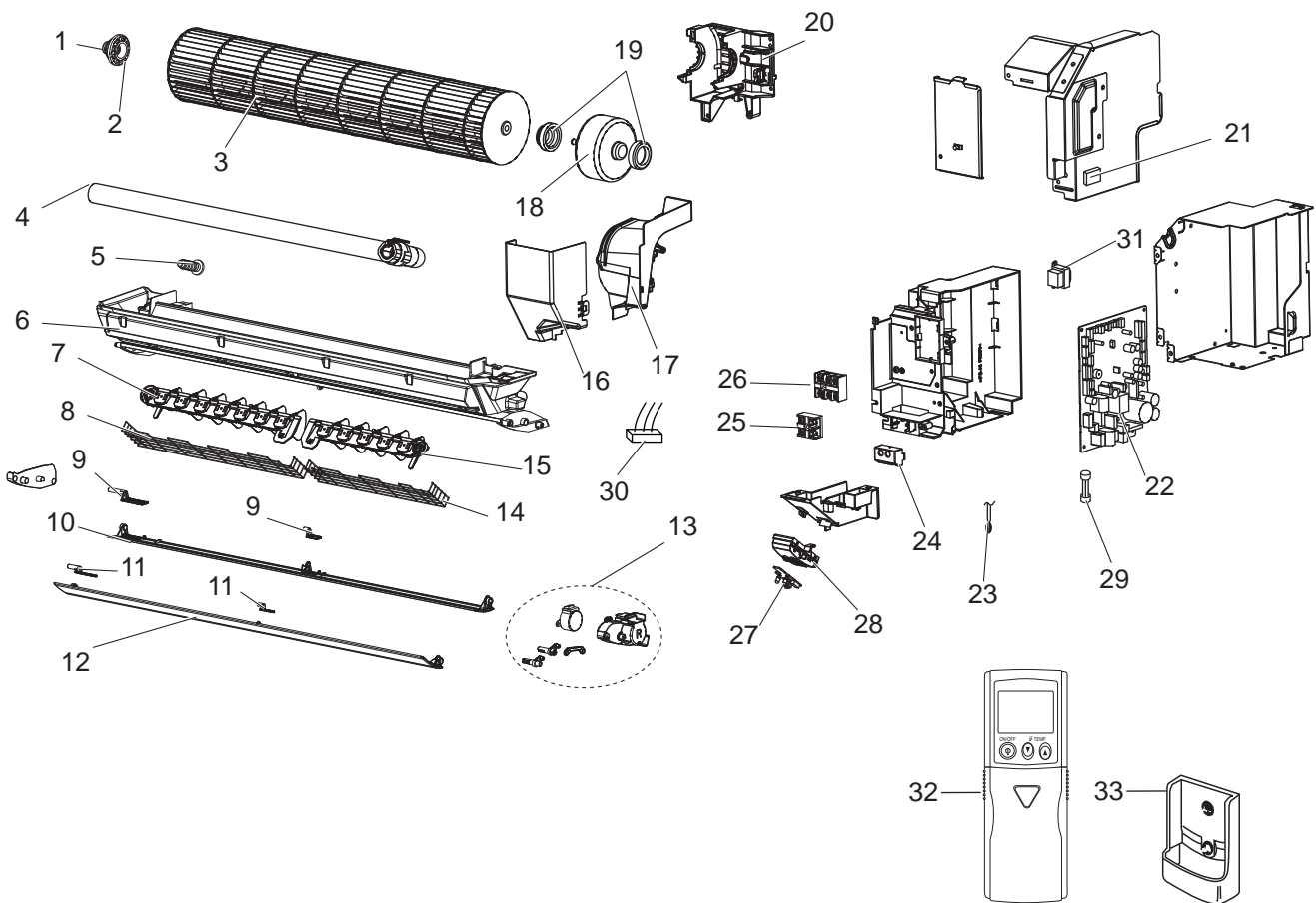
RoHS PARTS LIST

| No. | RoHS | Parts No. | Parts Name | Specification | Q'ty/unit | | | | Remarks (Drawing No.) | Wiring Diagram Symbol |
|-----|------|-------------|------------------|---------------|-----------|-----------|------------|------------|--------------------------|-----------------------------|
| | | | | | PKA-M35HA | PKA-M50HA | PKA-M35HAL | PKA-M50HAL | | |
| 1 | G | R01 E08 808 | BACK PLATE | | 1 | 1 | 1 | 1 | | |
| 2 | G | R01 E02 635 | BOX ASSY | | 1 | 1 | 1 | 1 | | |
| 3 | G | R01 E30 658 | CORNER BOX (L) | | 1 | 1 | 1 | 1 | | |
| 4 | G | T7W E16 651 | FRONT PANEL ASSY | | 1 | 1 | 1 | 1 | | |
| 5 | G | R01 E14 054 | HOLDER (R.L) | | 1 | 1 | 1 | 1 | LEFT & RIGHT | |
| 6 | G | R01 E15 054 | CATCH | | 1 | 1 | 1 | 1 | 2pcs/set | |
| 7 | G | R01 E05 096 | SCREW CAP | | 1 | 1 | 1 | 1 | 2pcs/set | |
| 8 | G | R01 E58 691 | GRILLE | | 1 | 1 | 1 | 1 | | |
| 9 | G | R01 E31 658 | RECEIVER COVER | | 1 | 1 | 1 | 1 | | |
| 10 | G | R01 E36 500 | FILTER (L) | | 1 | 1 | 1 | 1 | | |
| 11 | G | R01 E37 500 | FILTER (R) | | 1 | 1 | 1 | 1 | | |
| 12 | G | R01 E29 658 | CORNER BOX (R) | | 1 | 1 | 1 | 1 | | |
| 13 | G | R01 N17 202 | THERMISTOR | | 1 | 1 | 1 | 1 | | TH2/TH5 |
| 14 | G | T7W K39 480 | HEAT EXCHANGER | | 1 | 1 | 1 | 1 | | |
| 15 | G | T7W K00 525 | DRAIN PLATE | | 1 | 1 | 1 | 1 | | |

RoHS PARTS LIST

FAN AND ELECTRICAL PARTS

PKA-M35HA
PKA-M50HA
PKA-M35HAL
PKA-M50HAL



7KH00-E03ES

RoHS PARTS LIST

| No. | RoHS | Parts No. | Parts Name | Specification | Q'ty/unit | | | | Remarks (Drawing No.) | Wiring Diagram Symbol |
|-----|------|-------------|--------------------|----------------|-----------|-----------|------------|------------|--------------------------|-----------------------------|
| | | | | | PKA-M35HA | PKA-M50HA | PKA-M35HAL | PKA-M50HAL | | |
| 1 | G | R01 E01 102 | BEARING MOUNT | | 1 | 1 | 1 | 1 | | |
| 2 | G | R01 E04 103 | SLEEVE BEARING | | 1 | 1 | 1 | 1 | | |
| 3 | G | R01 E42 114 | LINEFLOW FAN | | 1 | 1 | 1 | 1 | | |
| 4 | G | R01 E09 527 | DRAIN HOSE VP16 | | 1 | 1 | 1 | 1 | | |
| 5 | G | R01 E03 524 | DRAIN CAP | | 1 | 1 | 1 | 1 | | |
| 6 | G | R01 E01 530 | NOZZLE ASSY | | 1 | 1 | 1 | 1 | with No.7,15 | |
| 7 | G | R01 E07 038 | GUIDE VANE (L) | | 1 | 1 | 1 | 1 | | |
| 8 | G | T7W E19 675 | FAN GUARD-L | | 1 | 1 | 1 | 1 | | |
| 9 | G | R01 E06 063 | VANE SHAFT-UC/ UL | | 1 | 1 | 1 | 1 | 2pcs/set | |
| 10 | G | R01 E32 002 | AUTO VANE-U | | 1 | 1 | 1 | 1 | | |
| 11 | G | R01 E05 063 | VANE SHAFT-TC/ TL | | 1 | 1 | 1 | 1 | 2pcs/set | |
| 12 | G | R01 E31 002 | AUTO VANE-T | | 1 | 1 | 1 | 1 | | |
| 13 | G | R01 E27 223 | VANE MOTOR | | 1 | 1 | 1 | 1 | | M |
| 14 | G | T7W E18 675 | FAN GUARD-R | | 1 | 1 | 1 | 1 | | |
| 15 | G | R01 E06 038 | GUIDE VANE (R) | | 1 | 1 | 1 | 1 | | |
| 16 | G | R01 E00 031 | WATER COVER | | 1 | 1 | 1 | 1 | | |
| 17 | G | R01 E03 126 | MOTOR BAND | | 1 | 1 | 1 | 1 | | |
| 18 | G | R01 E51 220 | FAN MOTOR | | 1 | 1 | 1 | 1 | with No.19 | MS |
| 19 | G | R01 E18 105 | RUBBER MOUNT SET | | 1 | 1 | 1 | 1 | LEFT & RIGHT | |
| 20 | G | R01 E44 130 | MOTOR BED | | 1 | 1 | 1 | 1 | | |
| 21 | G | R01 E01 091 | THERMISTOR HOLDER | | 1 | 1 | 1 | 1 | | |
| 22 | G | T7W S04 310 | CONTROLLER BOARD | | 1 | 1 | 1 | 1 | | I.B, S.W |
| 23 | G | R01 N23 202 | THERMISTOR | | 1 | 1 | 1 | 1 | | TH1 |
| 24 | G | R01 E01 031 | SWITCH BOARD COVER | | 1 | 1 | 1 | 1 | | |
| 25 | G | T7W E33 716 | TERMINAL BLOCK | 2P (1, 2) | 1 | 1 | | | | TB5 |
| 26 | G | T7W E54 716 | TERMINAL BLOCK | 3P(S1, S2, S3) | 1 | 1 | 1 | 1 | | TB4 |
| 27 | G | R01 E10 317 | WIRELESS ADAPTER | | 1 | 1 | 1 | 1 | | W.B |
| 28 | G | R01 E01 094 | DISP HOLDER | | 1 | 1 | 1 | 1 | | |
| 29 | G | R01 E11 239 | FUSE | 3.15A 250V | 1 | 1 | 1 | 1 | | FUSE |
| 30 | G | R01 E12 304 | LEAD (VANE MOTOR) | | 1 | 1 | 1 | 1 | | |
| 31 | G | T7W E19 259 | REACTOR | | 1 | 1 | 1 | 1 | | DCL |
| 32 | G | — | WIRELESS REMOCON | PAR-FL32MA | | | 1 | 1 | | |
| 33 | G | R01 E00 075 | REMOCON HOLDER | | | | 1 | 1 | | |

2

OPTIONAL PARTS

| PARTS NAME | PARTS NO. | PKA-HA | PKA-HAL |
|------------------------------------|--------------------------|--------|---------|
| Drain pump | PAC-SH75DM-E | ○ | ○ |
| System control interface | MAC-333IF | ○ | ○ |
| MA and contact terminal interface | MAC-397IF-E | ○ | ○ |
| Wi-Fi interface | MAC-567IF-E | ○ | ○ |
| Power supply terminal kit | PAC-SG94HR-E | ○ | ○ |
| Wired remote controller | PAR-32MAA PAC-YT52CRA | ○ | ○ |
| Terminal block kit for PKA | PAC-SH29TC-E | — | ○ |
| Signal sender | PAR-SL97A-E | ○ | ○ |
| Remote sensor | PAC-SE41TS-E | ○ | ○ |
| Remote on/off adapter | PAC-SE55RA-E | ○ | ○ |
| Connector cable for remote display | PAC-SA88HA-E | ○ | ○ |

MITSUBISHI ELECTRIC CORPORATION

HEAD OFFICE : TOKYO BUILDING, 2-7-3, MARUNOUCHI, CHIYODA-KU TOKYO 100-8310, JAPAN