

# Air Conditioning

## Product Information

### PKA-RP100KAL : Power Inverter Heat Pump

R410A Wall Mounted System

Mr.SLIM™



Our wide range of power inverters offer customers high seasonal efficiency, advanced control options and quiet operation, whilst providing greater flexibility and ease of installation.



## FEATURES



### INDOOR

Heating capacity (kW) (nominal)	11.2 (4.5 - 14)
Cooling Capacity (kW) (nominal)	10 (4.9 - 11.4)
Heating Capacity (kW) (UK)	9.5 (3.85 - 11.9)
Cooling Capacity (kW) (UK)	9.2 (4.5 - 10.5)
SHF (nominal and UK)	0.73
COP/EER (nominal)	3.68 / 3.77
SCOP / SEER	4 / 6
Energy Efficiency Class - Heating / Cooling	A+ / A+
Airflow (m <sup>3</sup> /min) Lo-Mi-Hi	20 - 23 - 26
Pipe Size Gas (mm [in])	15.88 (5/8")
Pipe Size Liquid (mm [in])	9.52 (3/8")
Sound Pressure Level (dBA) Lo-Mi-Hi	41 - 45 - 49
Sound Power Level (dBA) Cooling	65
Dimensions (mm) Width x Depth x Height	1170 x 295 x 365
Weight (kg)	21
Electrical Supply	FED BY OUTDOOR UNIT
Phase	SINGLE
Fuse Rating (BS88) - HRC (A)	6
Interconnecting Cable No. Cores	4

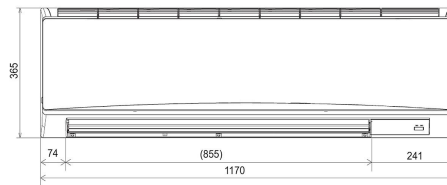
### OUTDOOR

Sound Pressure Level (dBA) Heating / Cooling	51 / 49
Sound Power Level (dBA) Cooling	69
Weight (kg)	124
Dimensions (mm) Width x Depth x Height	1050 x (330+30) x 1338
Electrical Supply	380-415V, 50HZ
Phase	THREE
System Power Input (kW) - Heating / Cooling (nominal)	3.04 / 2.65
System Power Input (kW) - Heating / Cooling (UK)	2.58 / 2.36
Starting Current (A)	4
System Running Current (A) [MAX] - Heating / Cooling	4.82 / 4.42 [8.6]
Fuse Rating (BS88) - HRC (A)	16
Mains Cable No. Cores	5
Max Pipe Length (m)	75
Max Height Difference (m)	30
Charge R410A (kg) - pre charged length (m)	5 - 30

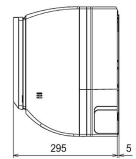
### DIMENSIONS

PKA-RP100KAL

Front View >



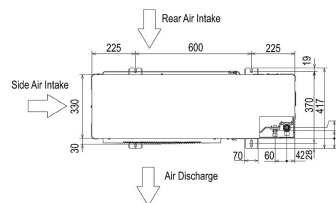
Side View >



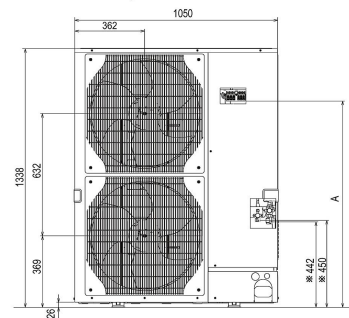
### DIMENSIONS

PUHZ-ZRP100YKA

Upper View >



Front View >



Right Side View >

