

SERVICE PARTS LIST FOR MITSUBISHI ELECTRIC PACKAGED AIR-CONDITIONERS

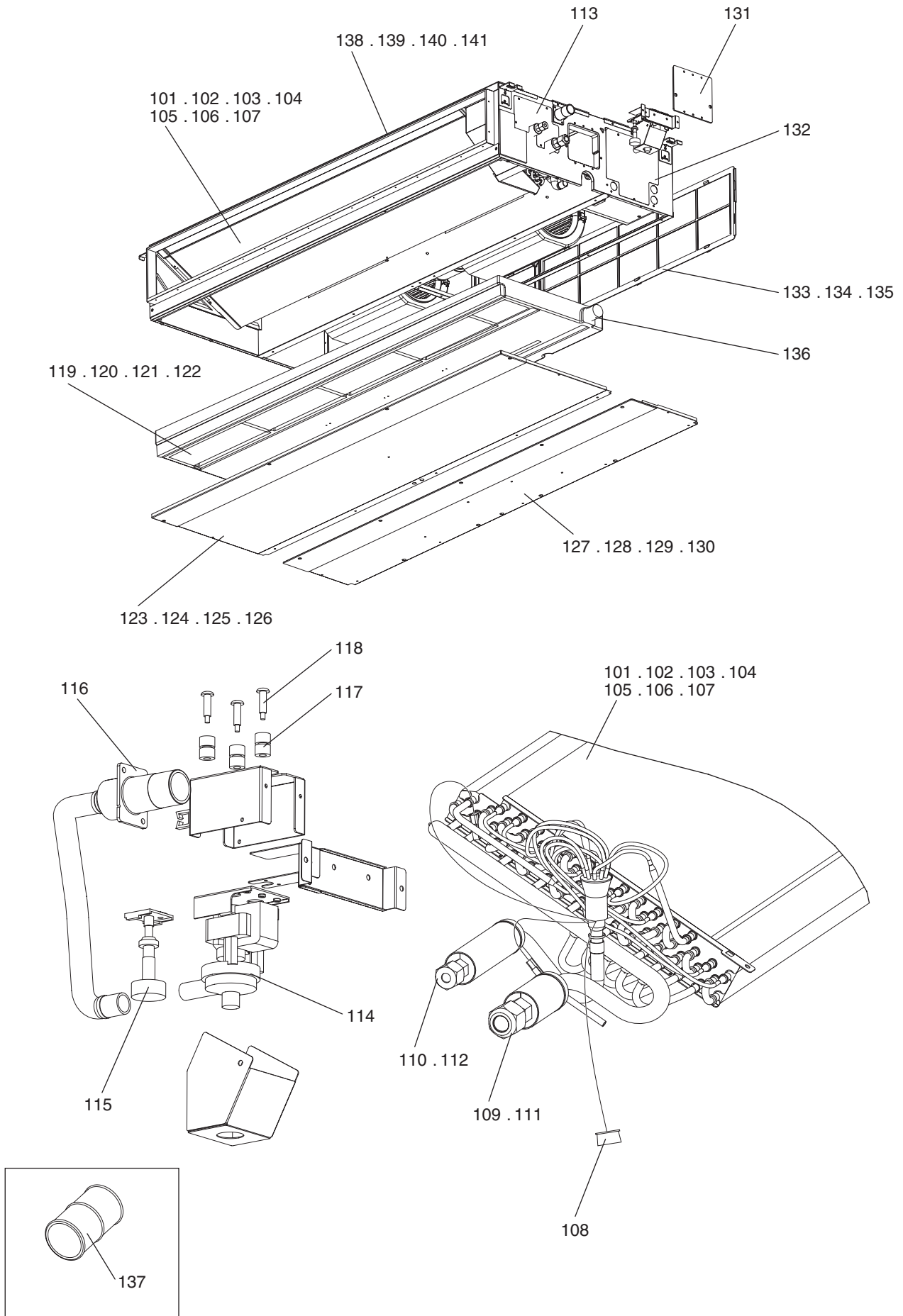
**Series : PEAD-RP•JAQ.UK
PEAD-RP•JALQ.UK**

Oct. 2010

BWE10160

INDEX
PEAD-RP35JAQ.UK
PEAD-RP50JAQ.UK
PEAD-RP60JAQ.UK
PEAD-RP71JAQ.UK
PEAD-RP100JAQ.UK
PEAD-RP125JAQ.UK
PEAD-RP140JAQ.UK
PEAD-RP35JALQ.UK
PEAD-RP50JALQ.UK
PEAD-RP60JALQ.UK
PEAD-RP71JALQ.UK
PEAD-RP100JALQ.UK
PEAD-RP125JALQ.UK
PEAD-RP140JALQ.UK

PEAD-RP35,RP50,RP60,RP71JAQ.UK EXTERNAL PARTS (1)
 PEAD-RP100,RP125,RP140JAQ.UK



PEAD-RP35,RP50,RP60,RP71JAQ.UK EXTERNAL PARTS (1)
PEAD-RP100,RP125,RP140JAQ.UK

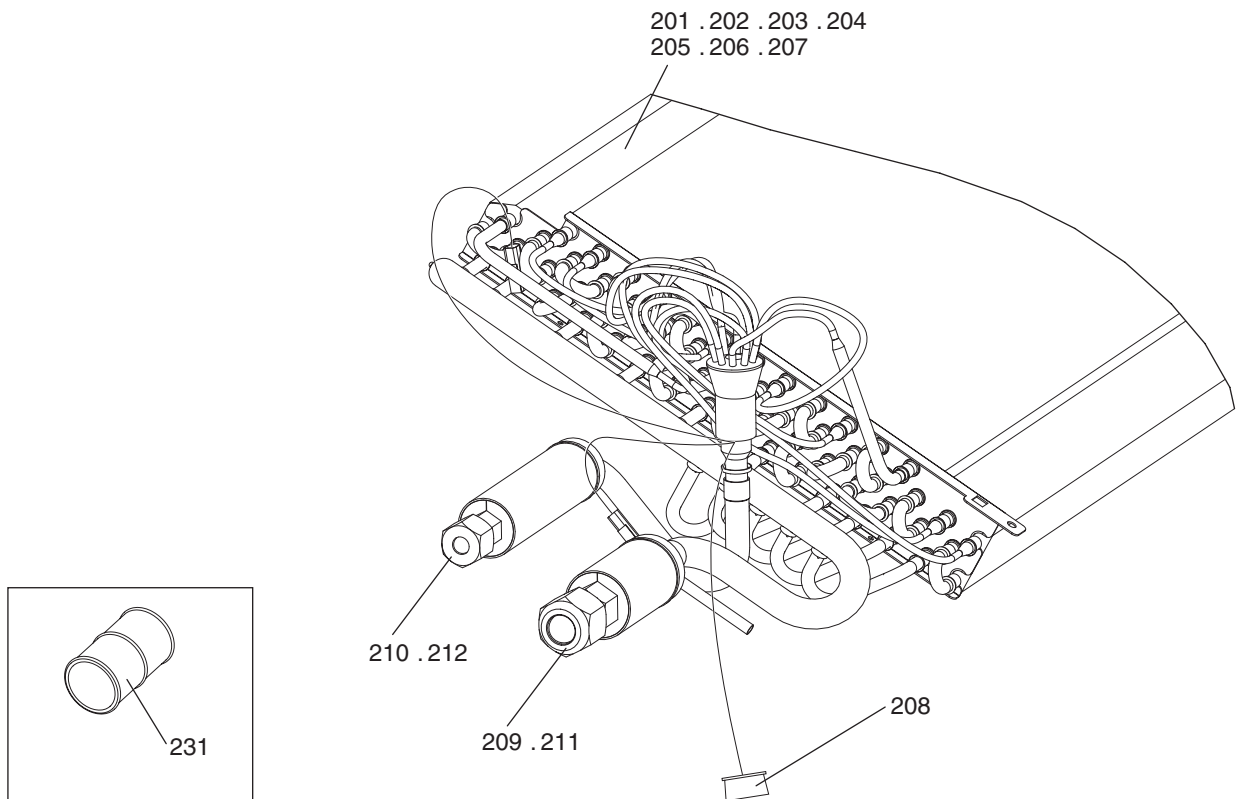
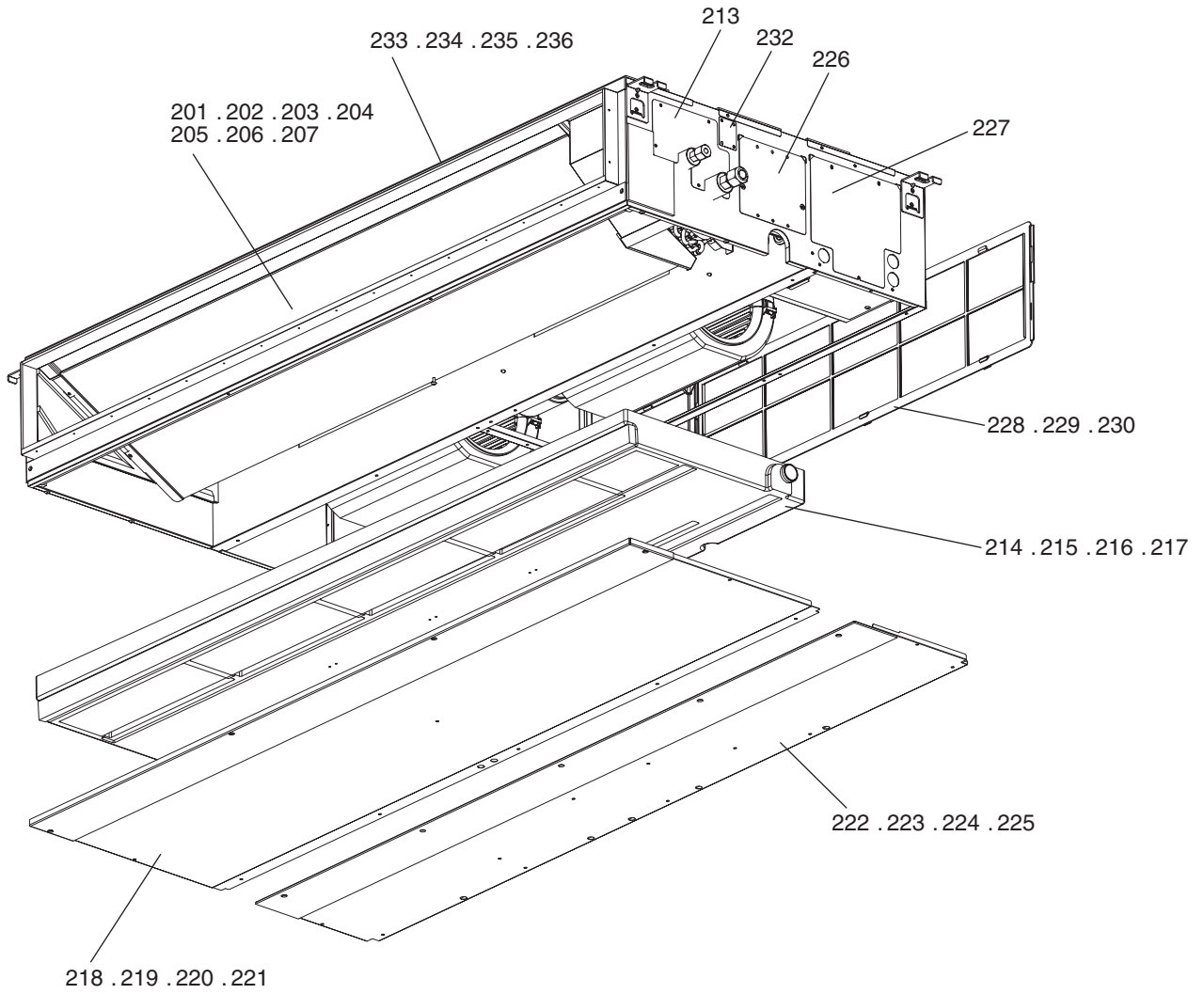
No.	Part No.	G : RoHS Apply Only W : RoHS Apply by Running Change		Spec.	PEAD-RP35JAQ.UK	PEAD-RP50JAQ.UK	PEAD-RP60JAQ.UK	PEAD-RP71JAQ.UK	PEAD-RP100JAQ.UK	PEAD-RP125JAQ.UK	Dwg. No.	Notes for the models	Revision info.
			Part Name										
101	S70 E16 480	G	HEAT EXCHANGER		1						KB00A202B01		
102	S70 E13 480	G	HEAT EXCHANGER			1					KB00A203B01		
103	S70 E11 480	G	HEAT EXCHANGER				1				KB00A178B03		
104	S70 E18 480	G	HEAT EXCHANGER					1			KB00A178B01		
105	S70 E19 480	G	HEAT EXCHANGER						1		KB00A178B02		
106	S70 E12 480	G	HEAT EXCHANGER							1	KB00A179B04		
107	S70 E14 480	G	HEAT EXCHANGER								KB00A318B01		
108	S70 100 202	G	THERMISTOR		1	1	1	1	1	1	KB71B945M01		
109	S70 0B1 097	G	NUT FLARE 1/2F		1	1					BG12S008H01		
110	S70 E10 097	G	NUT FLARE 1/4		1	1					Z211A143H01		
111	S70 E09 097	G	NUT FLARE 5/8				1	1	1	1	BG12S826H01		
112	S70 E14 097	G	NUT FLARE 3/8				1	1	1	1	Z211A143H06		
113	S70 E11 065	G	COVER PIPE ASSY		1	1	1	1	1	1	KB00M203G02		
114	S70 E50 355	G	PUMP	PLD	1	1	1	1	1	1	KB56B953H03		
115	S70 E50 266	G	FLOAT SWITCH	#FS-0250	1	1	1	1	1	1	KB68B944H02		
116	S70 E50 527	G	SOCKET ASSY		1	1	1	1	1	1	KB00R308G04		
117	S70 E11 066	G	CUSHION		3	3	3	3	3	3	DB26F013L01		
118	S70 E40 673	G	SCREW SPECIAL M4X 6		3	3	3	3	3	3	Z003Z333H05		
119	S70 E20 529	G	DRAIN PAN ASSY P40		1	1					KB00R237G02		
120	S70 E30 529	G	DRAIN PAN ASSY P63				1	1			KB00R237G03		
121	S70 E40 529	G	DRAIN PAN ASSY P100						1	1	KB00R237G04		
122	S70 E50 529	G	DRAIN PAN ASSY P140								KB00R237G05		
123	S70 E03 669	G	PANEL UD1 ASSY P40		1	1					KB00R305G07		
124	S70 E05 669	G	PANEL UD1 ASSY P63				1	1			KB00R305G08		
125	S70 E07 669	G	PANEL UD1 ASSY P100						1	1	KB00R305G09		
126	S70 E09 669	G	PANEL UD1 ASSY P140								KB00R305G10		
127	S70 E04 669	G	PANEL UD2 ASSY P40		1	1					KB00R306G17		
128	S70 E06 669	G	PANEL UD2 ASSY P63				1	1			KB00R306G18		
129	S70 E08 669	G	PANEL UD2 ASSY P100						1	1	KB00R306G19		
130	S70 E10 669	G	PANEL UD2 ASSY P140								KB00R306G20		
131	S70 E12 067	G	COVER ASSY		1	1	1	1	1	1	KB00M197G06		
132	S70 E13 068	G	COVER BOX ASSY		1	1	1	1	1	1	KB00T337G02		
133	S70 E55 500	G	FILTER 550				2	2			KB35B880G01		
134	S70 E70 500	G	FILTER 700						2	2	KB35B882G01		
135	S70 E90 500	G	FILTER 900		1	1					KB35B881G01		
136	S70 E16 524	G	PLUG	RUBBER	1	1	1	1	1	1	KB26H049H01		
137	S70 29H 523	G	SOCKET		1	1	1	1	1	1	BB25D449H01		
138	S70 E20 642	G	PANEL TOP ASSY P40		1	1					KB00R292G07		
139	S70 E30 642	G	PANEL TOP ASSY P63				1	1			KB00R292G08		
140	S70 E40 642	G	PANEL TOP ASSY P100						1	1	KB00R292G09		
141	S70 E50 642	G	PANEL TOP ASSY P140								KB00R292G10		

PEAD-RP35,RP50,RP60,RP71JAQ.UK EXTERNAL PARTS (1)
PEAD-RP100,RP125,RP140JAQ.UK

No.	Part No.	G : RoHS Apply Only W : RoHS Apply by Running Change		Spec.	PEAD-RP140JAQ.UK						Dwg. No.	Notes for the models	Revision info.
			Part Name										
101	S70 E16 480	G	HEAT EXCHANGER								KB00A202B01		
102	S70 E13 480	G	HEAT EXCHANGER								KB00A203B01		
103	S70 E11 480	G	HEAT EXCHANGER								KB00A178B03		
104	S70 E18 480	G	HEAT EXCHANGER								KB00A178B01		
105	S70 E19 480	G	HEAT EXCHANGER								KB00A178B02		
106	S70 E12 480	G	HEAT EXCHANGER								KB00A179B04		
107	S70 E14 480	G	HEAT EXCHANGER		1						KB00A318B01		
108	S70 100 202	G	THERMISTOR		1						KB71B945M01		
109	S70 0B1 097	G	NUT FLARE 1/2F								BG12S008H01		
110	S70 E10 097	G	NUT FLARE 1/4								Z211A143H01		
111	S70 E09 097	G	NUT FLARE 5/8		1						BG12S826H01		
112	S70 E14 097	G	NUT FLARE 3/8		1						Z211A143H06		
113	S70 E11 065	G	COVER PIPE ASSY		1						KB00M203G02		
114	S70 E50 355	G	PUMP	PLD	1						KB56B953H03		
115	S70 E50 266	G	FLOAT SWITCH	#FS-0250	1						KB68B944H02		
116	S70 E50 527	G	SOCKET ASSY		1						KB00R308G04		
117	S70 E11 066	G	CUSHION		3						DB26F013L01		
118	S70 E40 673	G	SCREW SPECIAL M4X 6		3						Z003Z333H05		
119	S70 E20 529	G	DRAIN PAN ASSY P40								KB00R237G02		
120	S70 E30 529	G	DRAIN PAN ASSY P63								KB00R237G03		
121	S70 E40 529	G	DRAIN PAN ASSY P100								KB00R237G04		
122	S70 E50 529	G	DRAIN PAN ASSY P140		1						KB00R237G05		
123	S70 E03 669	G	PANEL UD1 ASSY P40								KB00R305G07		
124	S70 E05 669	G	PANEL UD1 ASSY P63								KB00R305G08		
125	S70 E07 669	G	PANEL UD1 ASSY P100								KB00R305G09		
126	S70 E09 669	G	PANEL UD1 ASSY P140		1						KB00R305G10		
127	S70 E04 669	G	PANEL UD2 ASSY P40								KB00R306G17		
128	S70 E06 669	G	PANEL UD2 ASSY P63								KB00R306G18		
129	S70 E08 669	G	PANEL UD2 ASSY P100								KB00R306G19		
130	S70 E10 669	G	PANEL UD2 ASSY P140		1						KB00R306G20		
131	S70 E12 067	G	COVER ASSY		1						KB00M197G06		
132	S70 E13 068	G	COVER BOX ASSY		1						KB00T337G02		
133	S70 E55 500	G	FILTER 550								KB35B880G01		
134	S70 E70 500	G	FILTER 700		1						KB35B882G01		
135	S70 E90 500	G	FILTER 900		1						KB35B881G01		
136	S70 E16 524	G	PLUG	RUBBER	1						KB26H049H01		
137	S70 29H 523	G	SOCKET		1						BB25D449H01		
138	S70 E20 642	G	PANEL TOP ASSY P40								KB00R292G07		
139	S70 E30 642	G	PANEL TOP ASSY P63								KB00R292G08		
140	S70 E40 642	G	PANEL TOP ASSY P100								KB00R292G09		
141	S70 E50 642	G	PANEL TOP ASSY P140		1						KB00R292G10		

PEAD-RP35,RP50,RP60,RP71JALQ.UK
PEAD-RP100,RP125,RP140JALQ.UK

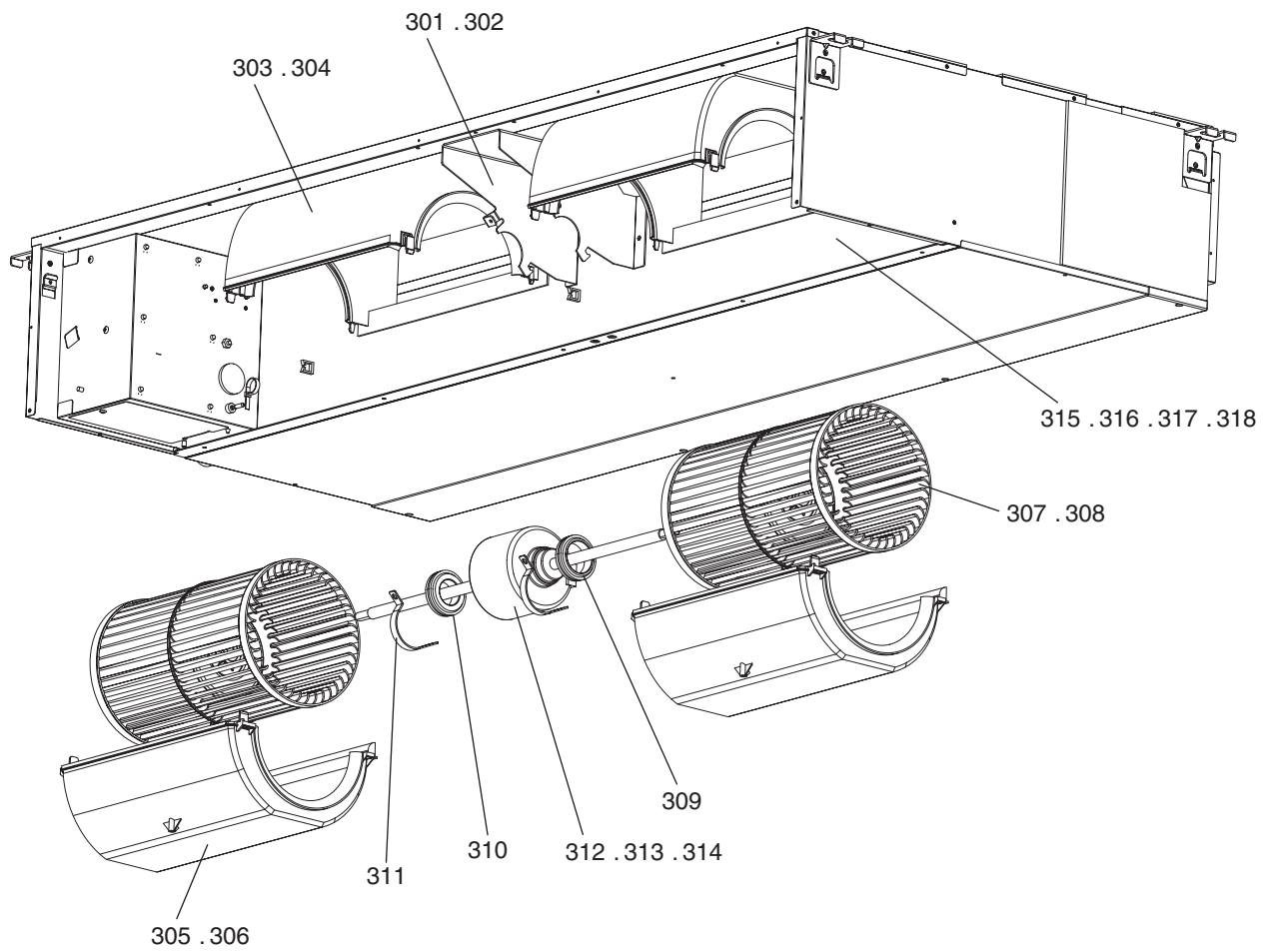
EXTERNAL PARTS (2)



PEAD-RP35,RP50,RP60,RP71JALQ.UK EXTERNAL PARTS (2)
PEAD-RP100,RP125,RP140JALQ.UK

No.	Part No.	G : RoHS Apply Only W : RoHS Apply by Running Change	Part Name	Spec.	PEAD-RP35JALQ.UK	PEAD-RP50JALQ.UK	PEAD-RP60JALQ.UK	PEAD-RP71JALQ.UK	PEAD-RP100JALQ.UK	PEAD-RP125JALQ.UK	Dwg. No.	Notes for the models	Revision info.
201	S70 E16 480	G	HEAT EXCHANGER		1						KB00A202B01		
202	S70 E13 480	G	HEAT EXCHANGER			1					KB00A203B01		
203	S70 E11 480	G	HEAT EXCHANGER				1				KB00A178B03		
204	S70 E18 480	G	HEAT EXCHANGER					1			KB00A178B01		
205	S70 E19 480	G	HEAT EXCHANGER						1		KB00A178B02		
206	S70 E12 480	G	HEAT EXCHANGER							1	KB00A179B04		
207	S70 E14 480	G	HEAT EXCHANGER								KB00A318B01		
208	S70 100 202	G	THERMISTOR		1	1	1	1	1	1	KB71B945M01		
209	S70 0B1 097	G	NUT FLARE 1/2F		1	1					BG12S008H01		
210	S70 E10 097	G	NUT FLARE 1/4		1	1					Z211A143H01		
211	S70 E09 097	G	NUT FLARE 5/8				1	1	1	1	BG12S826H01		
212	S70 E14 097	G	NUT FLARE 3/8				1	1	1	1	Z211A143H06		
213	S70 E11 065	G	COVER PIPE ASSY		1	1	1	1	1	1	KB00M203G02		
214	S70 E20 529	G	DRAIN PAN ASSY P40		1	1					KB00R237G02		
215	S70 E30 529	G	DRAIN PAN ASSY P63				1	1			KB00R237G03		
216	S70 E40 529	G	DRAIN PAN ASSY P100						1	1	KB00R237G04		
217	S70 E50 529	G	DRAIN PAN ASSY P140								KB00R237G05		
218	S70 E03 669	G	PANEL UD1 ASSY P40		1	1					KB00R305G07		
219	S70 E05 669	G	PANEL UD1 ASSY P63				1	1			KB00R305G08		
220	S70 E07 669	G	PANEL UD1 ASSY P100						1	1	KB00R305G09		
221	S70 E09 669	G	PANEL UD1 ASSY P140								KB00R305G10		
222	S70 E04 669	G	PANEL UD2 ASSY P40		1	1					KB00R306G17		
223	S70 E06 669	G	PANEL UD2 ASSY P63				1	1			KB00R306G18		
224	S70 E08 669	G	PANEL UD2 ASSY P100						1	1	KB00R306G19		
225	S70 E10 669	G	PANEL UD2 ASSY P140								KB00R306G20		
226	S70 E12 067	G	COVER ASSY		1	1	1	1	1	1	KB00M197G06		
227	S70 E13 068	G	COVER BOX ASSY		1	1	1	1	1	1	KB00T337G02		
228	S70 E55 500	G	FILTER 550				2	2			KB35B880G01		
229	S70 E70 500	G	FILTER 700						2	2	KB35B882G01		
230	S70 E90 500	G	FILTER 900		1	1					KB35B881G01		
231	S70 29H 523	G	SOCKET		1	1	1	1	1	1	BB25D449H01		
232	S70 E30 522	G	COVER SOCKET ASSY		1	1	1	1	1	1	KB00M268G02		
233	S70 E20 642	G	PANEL TOP ASSY P40		1	1					KB00R292G07		
234	S70 E30 642	G	PANEL TOP ASSY P63				1	1			KB00R292G08		
235	S70 E40 642	G	PANEL TOP ASSY P100						1	1	KB00R292G09		
236	S70 E50 642	G	PANEL TOP ASSY P140								KB00R292G10		

No.	Part No.	G : RoHS Apply Only W : RoHS Apply by Running Change		Spec.	PEAD-RP140JALQ.UK						Dwg. No.	Notes for the models	Revision info.
			Part Name										
201	S70 E16 480	G	HEAT EXCHANGER								KB00A202B01		
202	S70 E13 480	G	HEAT EXCHANGER								KB00A203B01		
203	S70 E11 480	G	HEAT EXCHANGER								KB00A178B03		
204	S70 E18 480	G	HEAT EXCHANGER								KB00A178B01		
205	S70 E19 480	G	HEAT EXCHANGER								KB00A178B02		
206	S70 E12 480	G	HEAT EXCHANGER								KB00A179B04		
207	S70 E14 480	G	HEAT EXCHANGER		1						KB00A318B01		
208	S70 100 202	G	THERMISTOR		1						KB71B945M01		
209	S70 0B1 097	G	NUT FLARE 1/2F								BG12S008H01		
210	S70 E10 097	G	NUT FLARE 1/4								Z211A143H01		
211	S70 E09 097	G	NUT FLARE 5/8		1						BG12S826H01		
212	S70 E14 097	G	NUT FLARE 3/8		1						Z211A143H06		
213	S70 E11 065	G	COVER PIPE ASSY		1						KB00M203G02		
214	S70 E20 529	G	DRAIN PAN ASSY P40								KB00R237G02		
215	S70 E30 529	G	DRAIN PAN ASSY P63								KB00R237G03		
216	S70 E40 529	G	DRAIN PAN ASSY P100								KB00R237G04		
217	S70 E50 529	G	DRAIN PAN ASSY P140		1						KB00R237G05		
218	S70 E03 669	G	PANEL UD1 ASSY P40								KB00R305G07		
219	S70 E05 669	G	PANEL UD1 ASSY P63								KB00R305G08		
220	S70 E07 669	G	PANEL UD1 ASSY P100								KB00R305G09		
221	S70 E09 669	G	PANEL UD1 ASSY P140		1						KB00R305G10		
222	S70 E04 669	G	PANEL UD2 ASSY P40								KB00R306G17		
223	S70 E06 669	G	PANEL UD2 ASSY P63								KB00R306G18		
224	S70 E08 669	G	PANEL UD2 ASSY P100								KB00R306G19		
225	S70 E10 669	G	PANEL UD2 ASSY P140		1						KB00R306G20		
226	S70 E12 067	G	COVER ASSY		1						KB00M197G06		
227	S70 E13 068	G	COVER BOX ASSY		1						KB00T337G02		
228	S70 E55 500	G	FILTER 550								KB35B880G01		
229	S70 E70 500	G	FILTER 700		1						KB35B882G01		
230	S70 E90 500	G	FILTER 900		1						KB35B881G01		
231	S70 29H 523	G	SOCKET		1						BB25D449H01		
232	S70 E30 522	G	COVER SOCKET ASSY		1						KB00M268G02		
233	S70 E20 642	G	PANEL TOP ASSY P40								KB00R292G07		
234	S70 E30 642	G	PANEL TOP ASSY P63								KB00R292G08		
235	S70 E40 642	G	PANEL TOP ASSY P100								KB00R292G09		
236	S70 E50 642	G	PANEL TOP ASSY P140		1						KB00R292G10		



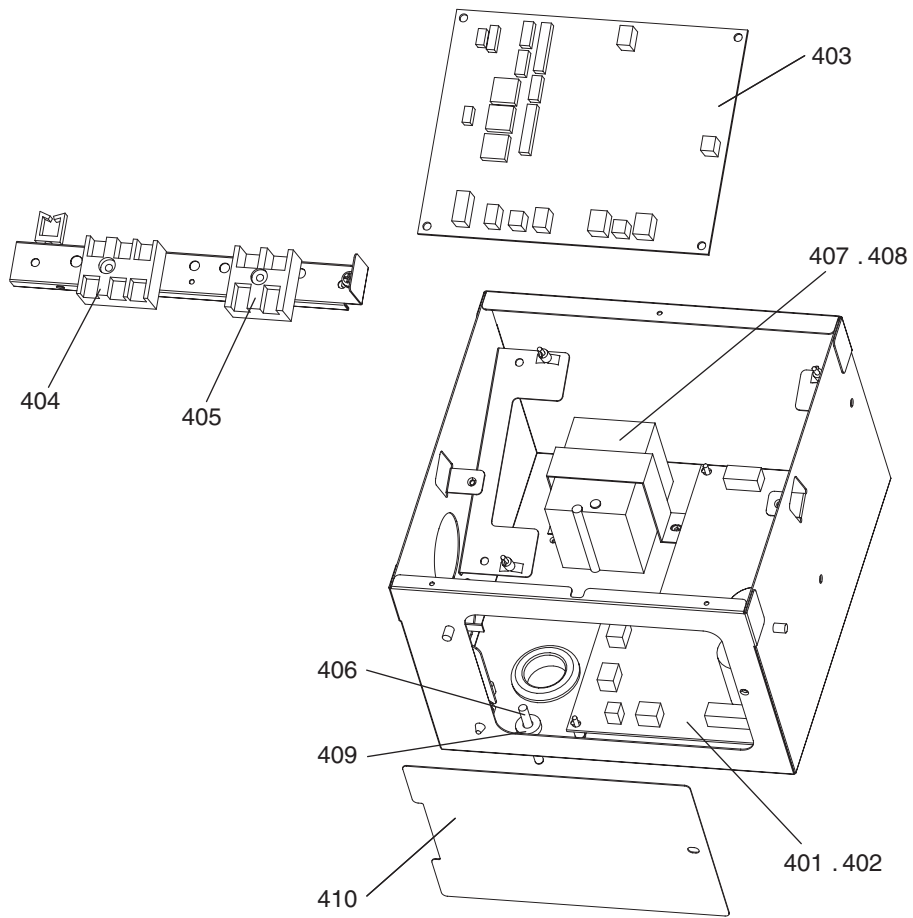
PEAD-RP35,RP50,RP60,RP71JA(L)Q.UK BLOWER PARTS
PEAD-RP100,RP125,RP140JA(L)Q.UK

No.	Part No.	G : RoHS Apply Only W : RoHS Apply by Running Change	Part Name	Spec.	PEAD-RP35JAQ.UK	PEAD-RP50JAQ.UK	PEAD-RP60JAQ.UK	PEAD-RP71JAQ.UK	PEAD-RP100JAQ.UK	PEAD-RP125JAQ.UK	Dwg. No.	Notes for the models	Revision info.
301	S70 E30 130	G	MOTOR BASE P20		1	1	1	1			KB02B861Z02		
302	S70 E40 130	G	MOTOR BASE P100						1	1	KB02B862Z03		
303	S70 E10 110	G	FAN CASE U				2	2			KB25A145G01		
304	S70 E30 110	G	FAN CASE U		1	1			2	2	KB25A144G01		
305	S70 E50 110	G	FAN CASE L				2	2			KB25A147G01		
306	S70 E40 110	G	FAN CASE L		1	1			2	2	KB25A146G01		
307	S70 E20 114	G	SIROCCO FAN 200 ASSY				2	2			KB00R101G01		
308	S70 E32 114	G	SIROCCO FAN 320 ASSY		1	1			2	2	KB00R102G01		
309	S70 L10 105	G	RUBBER MOUNT L		1	1	1	1			KB31D833H01		
310	S70 R20 105	G	RUBBER MOUNT R		1	1	1	1	2	2	KB31D833H02		
311	S70 E10 131	G	ATTACHMENT		2	2	2	2	2	2	W353715H01		
312	S70 E60 220	G	MOTOR P40		1	1					KB61B961H04		
313	S70 E70 220	G	MOTOR P63				1	1			KB61B962H04		
314	S70 E80 220	G	MOTOR P100						1	1	KB61B963H04		
315	S70 E20 677	G	FAN PLATE ASSY P40		1	1					KBT00T067G07		
316	S70 E30 677	G	FAN PLATE ASSY P63				1	1			KBT00T067G08		
317	S70 E40 677	G	FAN PLATE ASSY P100						1	1	KBT00T067G09		
318	S70 E50 677	G	FAN PLATE ASSY P140								KBT00T067G10		

No.	Part No.	G : RoHS Apply Only W : RoHS Apply by Running Change	Part Name	Spec.	PEAD-RP140JA(L)Q.UK	PEAD-RP35JA(L)Q.UK	PEAD-RP50JA(L)Q.UK	PEAD-RP60JA(L)Q.UK	PEAD-RP71JA(L)Q.UK	PEAD-RP100JA(L)Q.UK	Dwg. No.	Notes for the models	Revision info.
301	S70 E30 130	G	MOTOR BASE P20			1	1	1	1		KB02B861Z02		
302	S70 E40 130	G	MOTOR BASE P100		1					1	KB02B862Z03		
303	S70 E10 110	G	FAN CASE U				2	2			KB25A145G01		
304	S70 E30 110	G	FAN CASE U		2	1	1			2	KB25A144G01		
305	S70 E50 110	G	FAN CASE L				2	2			KB25A147G01		
306	S70 E40 110	G	FAN CASE L		2	1	1			2	KB25A146G01		
307	S70 E20 114	G	SIROCCO FAN 200 ASSY				2	2			KB00R101G01		
308	S70 E32 114	G	SIROCCO FAN 320 ASSY		2	1	1			2	KB00R102G01		
309	S70 L10 105	G	RUBBER MOUNT L			1	1	1	1		KB31D833H01		
310	S70 R20 105	G	RUBBER MOUNT R		2	1	1	1	1	2	KB31D833H02		
311	S70 E10 131	G	ATTACHMENT		2	2	2	2	2	2	W353715H01		
312	S70 E60 220	G	MOTOR P40			1	1				KB61B961H04		
313	S70 E70 220	G	MOTOR P63					1	1		KB61B962H04		
314	S70 E80 220	G	MOTOR P100		1					1	KB61B963H04		
315	S70 E20 677	G	FAN PLATE ASSY P40			1	1				KBT00T067G07		
316	S70 E30 677	G	FAN PLATE ASSY P63					1	1		KBT00T067G08		
317	S70 E40 677	G	FAN PLATE ASSY P100							1	KBT00T067G09		
318	S70 E50 677	G	FAN PLATE ASSY P140		1						KBT00T067G10		

PEAD-RP35,RP50,RP60,RP71JA(L)Q.UK BLOWER PARTS
 PEAD-RP100,RP125,RP140JA(L)Q.UK

No.	Part No.	G : RoHS Apply Only W : RoHS Apply by Running Change		Spec.	PEAD-RP35/LQ.UK	PEAD-RP100/LQ.UK					Dwg. No.	Notes for the models	Revision info.
			Part Name										
301	S70 E30 130	G	MOTOR BASE P20								KB02B861Z02		
302	S70 E40 130	G	MOTOR BASE P100		1	1					KB02B862Z03		
303	S70 E10 110	G	FAN CASE U								KB25A145G01		
304	S70 E30 110	G	FAN CASE U		2	2					KB25A144G01		
305	S70 E50 110	G	FAN CASE L								KB25A147G01		
306	S70 E40 110	G	FAN CASE L		2	2					KB25A146G01		
307	S70 E20 114	G	SIROCCO FAN 200 ASSY								KB00R101G01		
308	S70 E32 114	G	SIROCCO FAN 320 ASSY		2	2					KB00R102G01		
309	S70 L10 105	G	RUBBER MOUNT L								KB31D833H01		
310	S70 R20 105	G	RUBBER MOUNT R		2	2					KB31D833H02		
311	S70 E10 131	G	ATTACHMENT		2	2					W353715H01		
312	S70 E60 220	G	MOTOR P40								KB61B961H04		
313	S70 E70 220	G	MOTOR P63								KB61B962H04		
314	S70 E80 220	G	MOTOR P100		1	1					KB61B963H04		
315	S70 E20 677	G	FAN PLATE ASSY P40								KBT00T067G07		
316	S70 E30 677	G	FAN PLATE ASSY P63								KBT00T067G08		
317	S70 E40 677	G	FAN PLATE ASSY P100		1						KBT00T067G09		
318	S70 E50 677	G	FAN PLATE ASSY P140			1					KBT00T067G10		



No.	Part No.	G : RoHS Apply Only W : RoHS Apply by Running Change		Spec.	PEAD-RP35JAQ.UK	PEAD-RP50JAQ.UK	PEAD-RP60JAQ.UK	PEAD-RP71JAQ.UK	PEAD-RP100JAQ.UK	PEAD-RP125JAQ.UK	Dwg. No.	Notes for the models	Revision info.
		Part Name											
401	S70 K30 313	G		PRINTED CIRCUIT ASSEMBLY PW 3A	1	1	1	1			KE01D548B05		
402	S70 K40 313	G		PRINTED CIRCUIT ASSEMBLY PW 5A					1	1	KE01D548B06		
403	S70 K20 310	G		PRINTED CIRCUIT ASSEMBLY INDOOR CONTROL	1	1	1	1	1	1	KE01D547B03		
404	S70 K01 716	G		TERMINAL BLOCK ASSY	1	1	1	1	1	1	BH00C267G02		
405	S70 E40 716	G		TERMINAL BLOCK	1	1	1	1	1	1	BH73L021H01		
406	S70 0B1 202	G		THERMISTOR-S 250XAP	1	1	1	1	1	1	RG71J628H01		
407	S70 K01 259	G		REACTOR 3A3	1	1	1				KE65D486H02		
408	S70 K02 259	G		REACTOR 3A6				1	1	1	KE65D487H01		
409	S70 E10 306	G		CORD BUSH	1	1	1	1	1	1	BG25U730H01		
410	S70 E14 068	G		BOX UNDER COVER	1	1	1	1	1	1	KB02K887Z01		

No.	Part No.	G : RoHS Apply Only W : RoHS Apply by Running Change		Spec.	PEAD-RP140JA(L)Q.UK	PEAD-RP35JA(L)Q.UK	PEAD-RP50JA(L)Q.UK	PEAD-RP60JA(L)Q.UK	PEAD-RP71JA(L)Q.UK	PEAD-RP100JA(L)Q.UK	Dwg. No.	Notes for the models	Revision info.
			Part Name										
401	S70 K30 313	G	PRINTED CIRCUIT ASSEMBLY	PW 3A		1	1	1	1		KE01D548B05		
402	S70 K40 313	G	PRINTED CIRCUIT ASSEMBLY	PW 5A	1					1	KE01D548B06		
403	S70 K20 310	G	PRINTED CIRCUIT ASSEMBLY	INDOOR CONTROL	1	1	1	1	1	1	KE01D547B03		
404	S70 K01 716	G	TERMINAL BLOCK ASSY		1	1	1	1	1	1	BH00C267G02		
405	S70 E40 716	G	TERMINAL BLOCK		1	1	1	1	1	1	BH73L021H01		
406	S70 0B1 202	G	THERMISTOR-S	250XAP	1	1	1	1	1	1	RG71J628H01		
407	S70 K01 259	G	REACTOR	3A3		1	1	1			KE65D486H02		
408	S70 K02 259	G	REACTOR	3A6	1					1	KE65D487H01		
409	S70 E10 306	G	CORD BUSH		1	1	1	1	1	1	BG25U730H01		
410	S70 E14 068	G	BOX UNDER COVER		1	1	1	1	1	1	KB02K887Z01		

No.	Part No.	G : RoHS Apply Only W : RoHS Apply by Running Change	Part Name	Spec.	PEAD-RP125/LQ.UK	PEAD-RP140/LQ.UK						Dwg. No.	Notes for the models	Revision info.
402	S70 K40 313	G	PRINTED CIRCUIT ASSEMBLY	PW 5A	1	1						KE01D548B06		
403	S70 K20 310	G	PRINTED CIRCUIT ASSEMBLY	INDOOR CONTROL	1	1						KE01D547B03		
404	S70 K01 716	G	TERMINAL BLOCK ASSY		1	1						BH00C267G02		
405	S70 E40 716	G	TERMINAL BLOCK		1	1						BH73L021H01		
406	S70 0B1 202	G	THERMISTOR-S	250XAP	1	1						RG71J628H01		
407	S70 K01 259	G	REACTOR	3A3								KE65D486H02		
408	S70 K02 259	G	REACTOR	3A6	1	1						KE65D487H01		
409	S70 E10 306	G	CORD BUSH		1	1						BG25U730H01		
410	S70 E14 068	G	BOX UNDER COVER		1	1						KB02K887Z01		

