

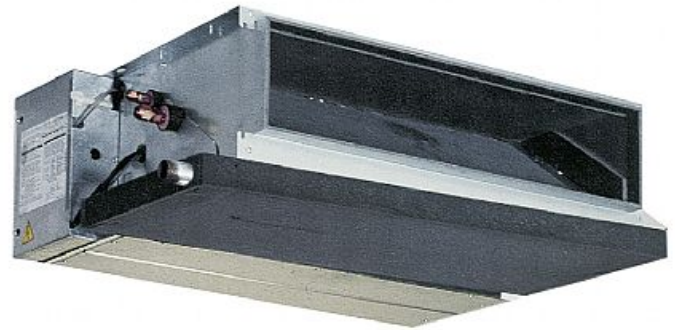


# PEAD-RP35EA2

Standard Inverter Heat Pump

R410A Ceiling Concealed Ducted System

The new Standard Inverter range provides inverter solutions for customers who want all the benefits that inverters offer, but do not have the budget available for the more expensive Power Inverter range.



Pictures not to scale

## Product Details

### PEAD-RP35EA2 Indoor Unit

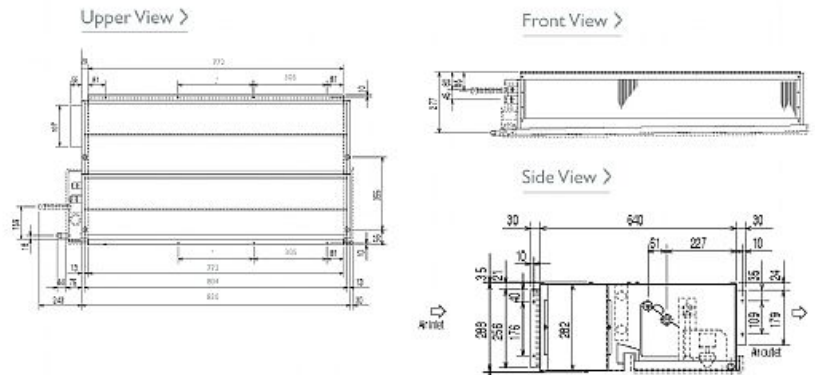
|                                       |                     |
|---------------------------------------|---------------------|
| Capacity (kW):                        |                     |
| Heating (Nominal) (Low - High)        | 4.10 (0.90 - 5.00)  |
| Cooling (Nominal) (Low - High)        | 3.60 (1.00 - 3.90)  |
| Heating (UK) (Low - High)             | 3.40 (0.75 - 4.15)  |
| Cooling (UK) (Low - High)             | 3.55 (1.00 - 3.85)  |
| SHF R410A (Nominal)                   | 0.9                 |
| COP / EER (Nominal)                   | 3.63 / 3.21         |
| Energy Label Heating / Cooling        | A / A               |
| Width - mm                            | 935                 |
| Depth - mm                            | 700                 |
| Height - mm                           | 295                 |
| Weight - kg                           | 33                  |
| Airflow (m <sup>3</sup> /min) - Lo-Hi | 13.5-17             |
| External Static Pressure Pa - Lo-Hi   | 30-70               |
| Noise (dBA) - Lo-Hi                   | 36-40               |
| Pipe Size Gas mm (in)                 | 9.52 (3/8)          |
| Pipe Size Liquid mm (in)              | 6.35 (1/4)          |
| Electrical Supply                     | Fed by Outdoor Unit |
| Phase                                 | Single              |
| Fuse Rating (BS88) - HRC (A)          | 6                   |
| Interconnecting Cable No. Cores       | 4                   |
| Remote Controller Ref                 | PAR-21MAA           |

### SUZ-KA35VA Outdoor Unit

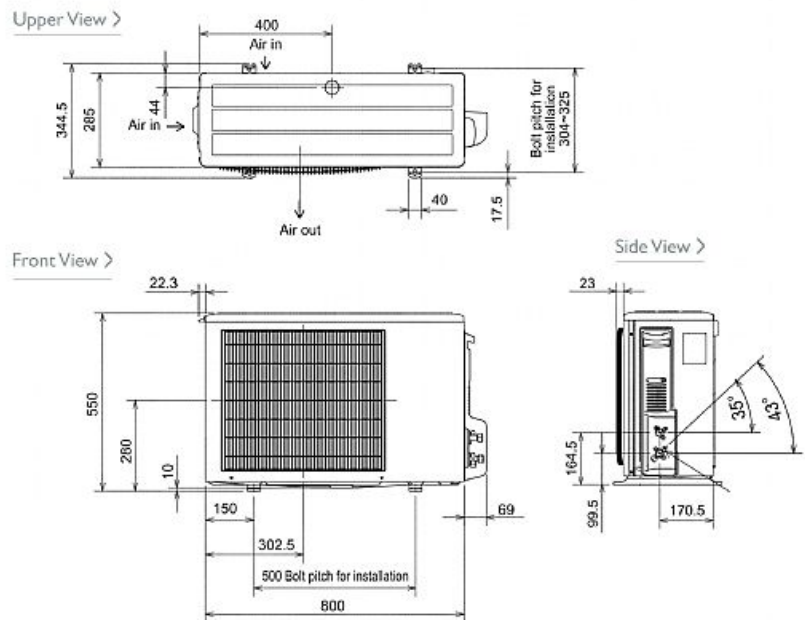
|   |                |
|---|----------------|
| Width - mm                                    | 800            |
| Depth - mm                                    | 285            |
| Height - mm                                   | 550            |
| Weight - kg                                   | 37             |
| Noise (dBA) (Heating /Cooling)                | 48 /47         |
| Electrical Supply                             | 220-240v, 50Hz |
| Phase   | Single         |
| Fuse Rating (BS88) - HRC (A)                  | 16             |
| SystemPower Input (kW) - Heating (Nominal)    | 1.13           |
| SystemPower Input (kW) - Cooling (Nominal)    | 1.12           |
| SystemPower Input (kW) - Heating (UK)         | 1.03           |
| SystemPower Input (kW) - Cooling (UK)         | 0.9            |
| Starting Current (A)                          | 4.75           |
| SystemRunning Current (A) - Heating / Cooling | 5.36 / 5.16    |
| Mains Cable No. Cores                         | 3              |
| Max Pipe Length (m)                           | 20             |
| Max Height Difference (m)                     | 12             |
| Charge (kg) - 7m                              | 1.05           |

## Dimensions

PEAD-RP35EA2



SUZ-KA35VA



Telephone: 01707 282880

Email: [air.conditioning@meuk.mee.com](mailto:air.conditioning@meuk.mee.com) Website: <http://www.mitsubishielectric.co.uk/aircon>

Mitsubishi Electric reserves the right to make any variation in technical specification to the equipment described, or to withdraw or replace products without prior notification or public announcement.

Tel:  
Fax:

