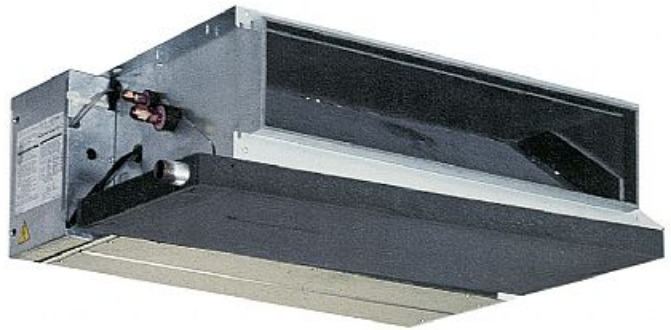




PEAD-RP125EA

Heat Pump

R410A Ceiling Concealed Ducted System



Pictures not to scale

Product Details

PEAD-RP125EA Indoor Unit

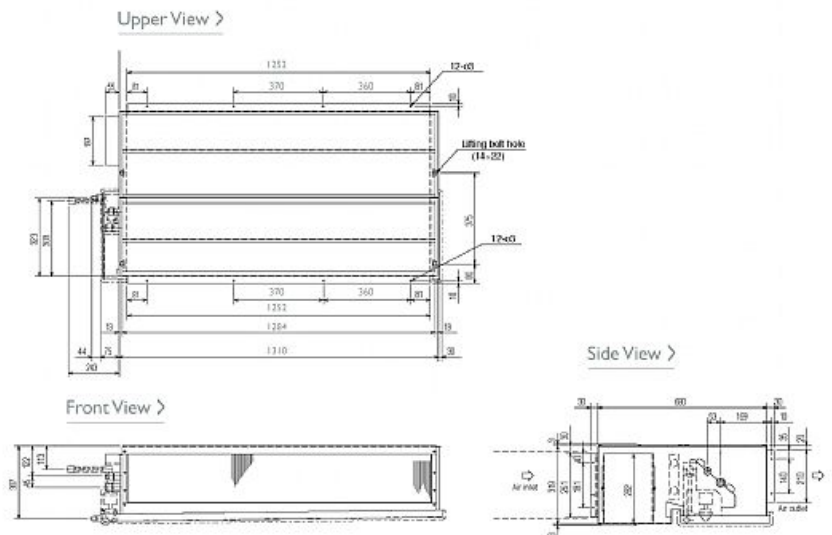
Capacity (kW):	
Heating (Nominal)	14.30
Cooling (Nominal)	12.30
Heating (UK)	12.20
Cooling (UK)	11.05
SHF R410A (Nominal)	0.82
Width - mm	1415
Depth - mm	740
Height - mm	325
Weight - kg	65
Airflow (m ³ /min) - Lo-Hi	33.5-42
External Static Pressure Pa - Lo-Hi	70-130
Noise (dBA) - Lo-Hi	44-50
Pipe Size Gas mm (in)	15.88 (5/8)
Pipe Size Liquid mm (in)	9.52 (3/8)
Electrical Supply	Fed by Outdoor Unit
Phase	Single
Fuse Rating (BS88) - HRC (A)	6
Interconnecting Cable No. Cores	4
Remote Controller Ref	PAR-21MAA

PUH-P125YHA Outdoor Unit

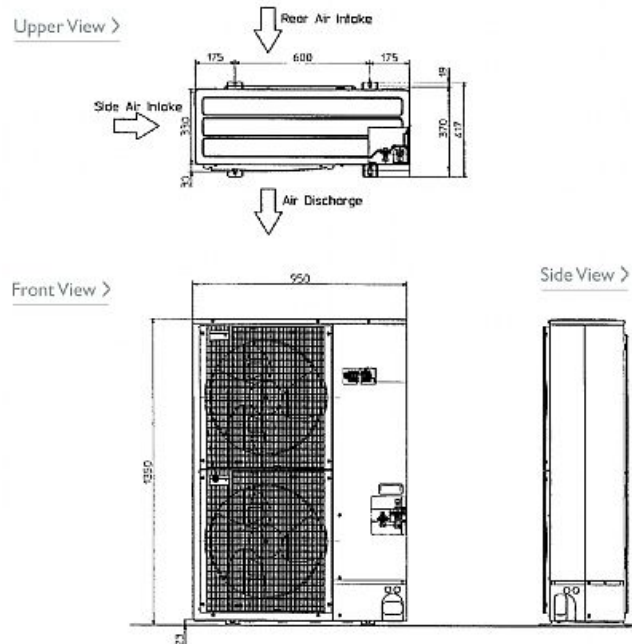
Width - mm	950
Depth - mm	330 + 30
Height - mm	1350
Weight - kg	131
Noise (dBA) (Heating /Cooling)	52 /50
Electrical Supply	380-415v, 50Hz
Phase	3
Fuse Rating (BS88) - HRC (A)	20
SystemPower Input (kW) - Heating (Nominal)	4.32
SystemPower Input (kW) - Cooling (Nominal)	4.41
SystemPower Input (kW) - Heating (UK)	3.85
SystemPower Input (kW) - Cooling (UK)	3.75
Starting Current (A)	70
SystemRunning Current (A) - Heating / Cooling	9.19 / 9.41
Mains Cable No. Cores	5
Max Pipe Length (m)	50
Max Height Difference (m)	50
Charge (kg) - 30m	5

Dimensions

PEAD-RP125EA



PUH-P125YHA



Telephone: 01707 282880

Email: air.conditioning@meuk.mee.com Website: <http://www.mitsubishielectric.co.uk/aircon>

Tel:
Fax:

Mitsubishi Electric reserves the right to make any variation in technical specification to the equipment described, or to withdraw or replace products without prior notification or public announcement.

