



# PEAD-RP125EA

Standard Inverter Heat Pump

R410A Ceiling Concealed Ducted System

The new Standard Inverter range provides inverter solutions for customers who want all the benefits that inverters offer, but do not have the budget available for the more expensive Power Inverter range.



Pictures not to scale

## Product Details

### PEAD-RP125EA Indoor Unit

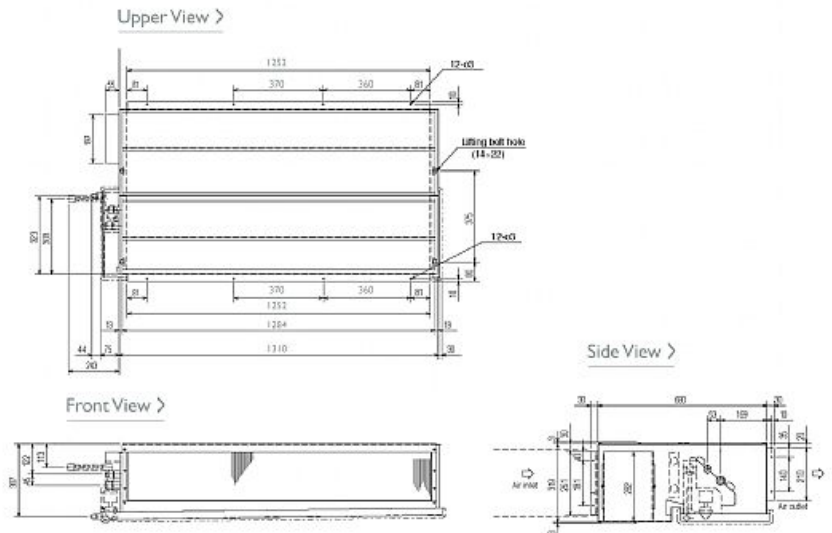
Capacity (kW):	
Heating (Nominal) (Low - High)	14.00 (5.00 - 16.00)
Cooling (Nominal) (Low - High)	12.30 (5.50 - 14.00)
Heating (UK) (Low - High)	11.90 (4.25 - 13.60)
Cooling (UK) (Low - High)	11.05 (4.95 - 12.60)
SHF R410A (Nominal)	0.83
COP / EER (Nominal)	3.41 / 2.81
Energy Label Heating / Cooling	B / C
Width - mm	1415
Depth - mm	740
Height - mm	325
Weight - kg	65
Airflow (m <sup>3</sup> /min) - Lo-Hi	33.5-42
External Static Pressure Pa - Lo-Hi	70-130
Noise (dBA) - Lo-Hi	44-50
Pipe Size Gas mm (in)	15.88 (5/8)
Pipe Size Liquid mm (in)	9.52 (3/8)
Electrical Supply	Fed by Outdoor Unit
Phase	Single
Fuse Rating (BS88) - HRC (A)	6
Interconnecting Cable No. Cores	4
Remote Controller Ref	PAR-21MAA

### PUHZ-P125VHA Outdoor Unit

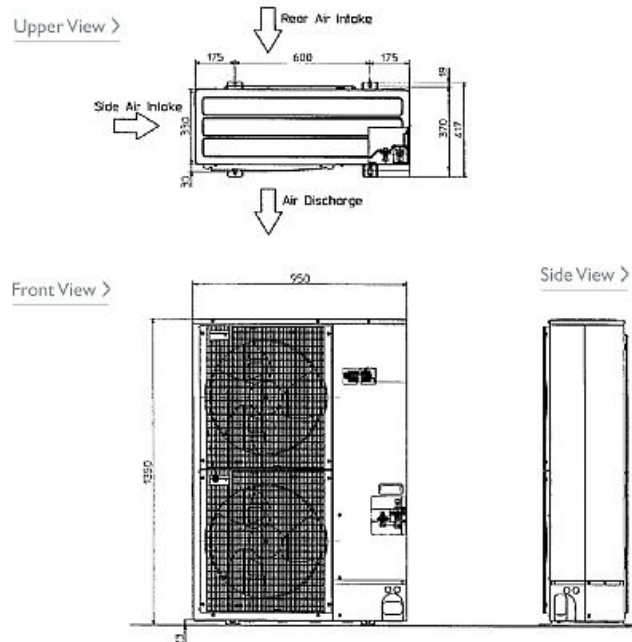
Width - mm	950
Depth - mm	330 + 30
Height - mm	1350
Weight - kg	123
Noise (dBA) (Heating / Cooling)	55 / 51
Electrical Supply	220-240v, 50Hz
Phase	Single
Fuse Rating (BS88) - HRC (A)	32
System Power Input (kW) - Heating (Nominal)	4.11
System Power Input (kW) - Cooling (Nominal)	4.38
System Power Input (kW) - Heating (UK)	3.66
System Power Input (kW) - Cooling (UK)	3.72
Starting Current (A)	14
System Running Current (A) - Heating / Cooling	19.36 / 19.99
Mains Cable No. Cores	3
Max Pipe Length (m)	50
Max Height Difference (m)	30
Charge (kg) - 30m	4.5

## Dimensions

### PEAD-RP125EA



### PUHZ-P125VHA



Telephone: 01707 282880

Email: [air.conditioning@meuk.mee.com](mailto:air.conditioning@meuk.mee.com) Website: <http://www.mitsubishielectric.co.uk/aircon>

Tel:  
Fax:



Mitsubishi Electric reserves the right to make any variation in technical specification to the equipment described, or to withdraw or replace products without prior notification or public announcement.