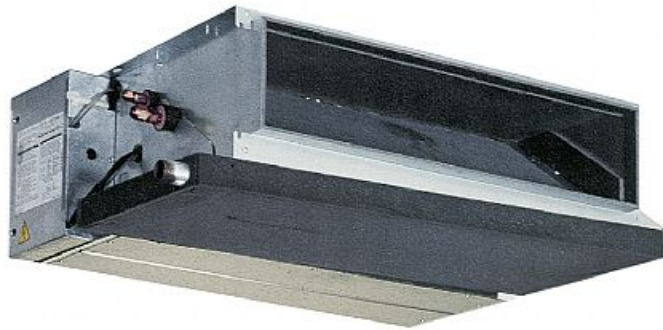




PEAD-RP100EA2

Heat Pump

R410A Ceiling Concealed Ducted System



Pictures not to scale

Product Details

PEAD-RP100EA2 Indoor Unit

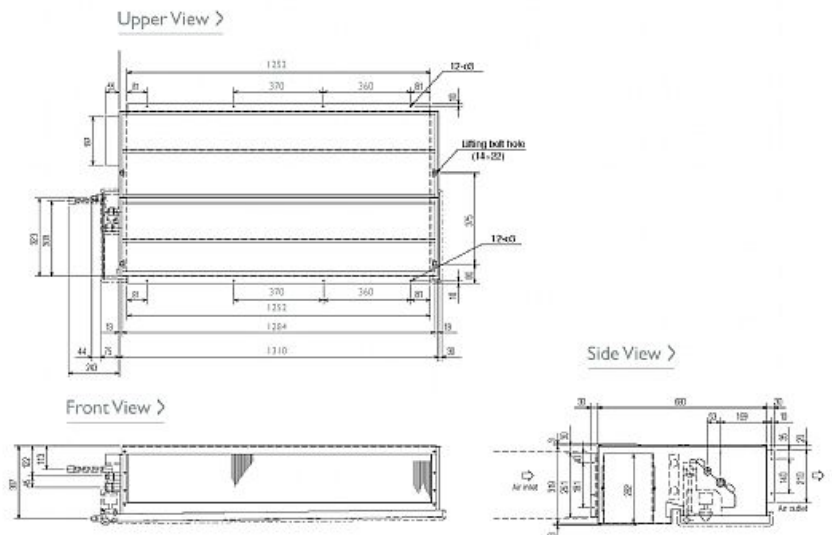
Capacity (kW):	
Heating (Nominal)	11.50
Cooling (Nominal)	10.00
Heating (UK)	9.80
Cooling (UK)	9.00
SHF R410A (Nominal)	0.86
Width - mm	1415
Depth - mm	740
Height - mm	325
Weight - kg	65
Airflow (m ³ /min) - Lo-Hi	33.5-42
External Static Pressure Pa - Lo-Hi	70-130
Noise (dBA) - Lo-Hi	44-50
Pipe Size Gas mm (in)	15.88 (5/8)
Pipe Size Liquid mm (in)	9.52 (3/8)
Electrical Supply	Fed by Outdoor Unit
Phase	Single
Fuse Rating (BS88) - HRC (A)	6
Interconnecting Cable No. Cores	4
Remote Controller Ref	PAR-21MAA

PUH-P100YHA Outdoor Unit

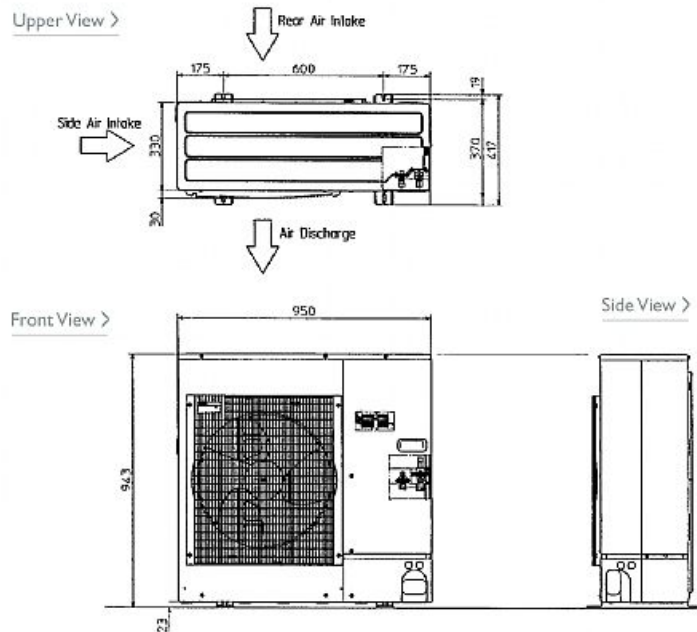
Width - mm	950
Depth - mm	330 + 30
Height - mm	943
Weight - kg	94
Noise (dBA) (Heating / Cooling)	52 / 50
Electrical Supply	380-415v, 50Hz
Phase	3
Fuse Rating (BS88) - HRC (A)	20
System Power Input (kW) - Heating (Nominal)	3.42
System Power Input (kW) - Cooling (Nominal)	3.69
System Power Input (kW) - Heating (UK)	3.04
System Power Input (kW) - Cooling (UK)	3.14
Starting Current (A)	45
System Running Current (A) - Heating / Cooling	7.8 / 8.01
Mains Cable No. Cores	5
Max Pipe Length (m)	50
Max Height Difference (m)	50
Charge (kg) - 30m	4.4

Dimensions

PEAD-RP100EA2



PUH-P100YHA



Telephone: 01707 282880

Email: air.conditioning@meuk.mee.com Website: <http://www.mitsubishielectric.co.uk/aircon>

Tel:
Fax:



Mitsubishi Electric reserves the right to make any variation in technical specification to the equipment described, or to withdraw or replace products without prior notification or public announcement.