

SERVICE PARTS LIST FOR MITSUBISHI ELECTRIC PACKAGED AIR-CONDITIONERS

Series : PEAD-RP•EA#1.UK

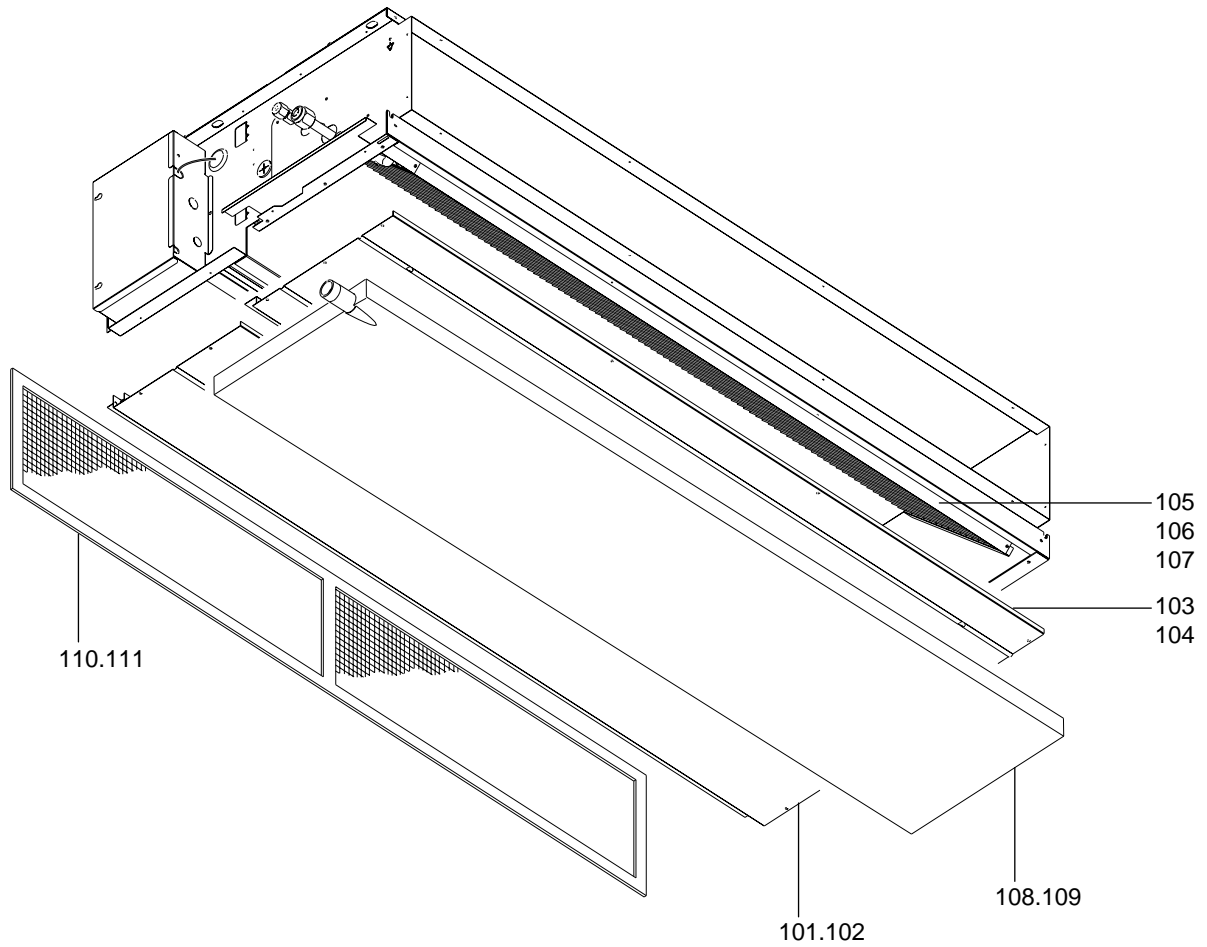
Sept. 2008

BWE08140

INDEX
PEAD-RP35EA2#1.UK
PEAD-RP50EA#1.UK
PEAD-RP60EA#1.UK
PEAD-RP71EA#1.UK
PEAD-RP100EA2#1.UK
PEAD-RP125EA#1.UK
PEAD-RP140EA#1.UK

PEAD-RP35EA2#1
 PEAD-RP50EA#1
 PEAD-RP60EA#1

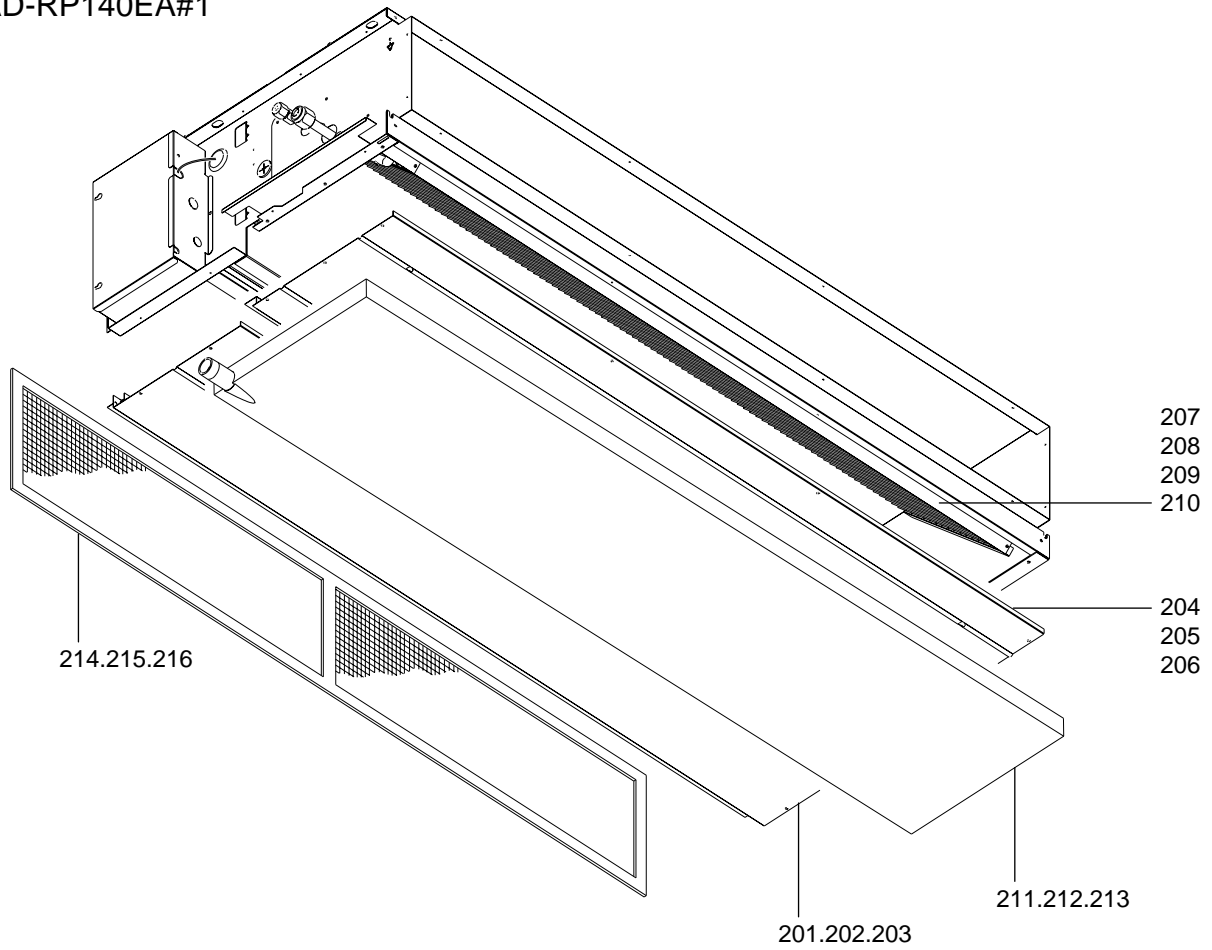
EXTERNAL PARTS (1)



No.	Part No.	G : RoHS Apply Only W : RoHS Apply by Running Change		Spec.	PEAD-RP35EA2#1	PEAD-RP50EA#1	PEAD-RP60EA#1			Dwg. No.	Price	Revision History
			Part Name									
101	S70 031 669G	G	Bottom plate 1		1	1				W638939Z04		
102	S70 011 669G	G	Bottom plate 1			1				W638917Z04		
103	S70 081 699G	G	Bottom plate 2 assy		1	1				W638940G04		
104	S70 091 669G	G	Bottom plate 2 assy			1				W638918G04		
105	S70 K10 480G	G	Heat exchanger assy		1					W268527G13		
106	S70 K11 480G	G	Heat exchanger assy			1				W268527G14		
107	S70 K12 480G	G	Heat exchanger assy			1				W268527G15		
108	S70 011 529G	G	Drain pan assy		1	1				W638942G01		
109	S70 021 529G	G	Drain pan assy			1				W638920G01		
110	S70 021 500G	G	Filter		1	1				W645496G02		
111	S70 031 500G	G	Filter			1				W645496G03		

PEAD-RP71EA#1
 PEAD-RP100EA2#1
 PEAD-RP125EA#1
 PEAD-RP140EA#1

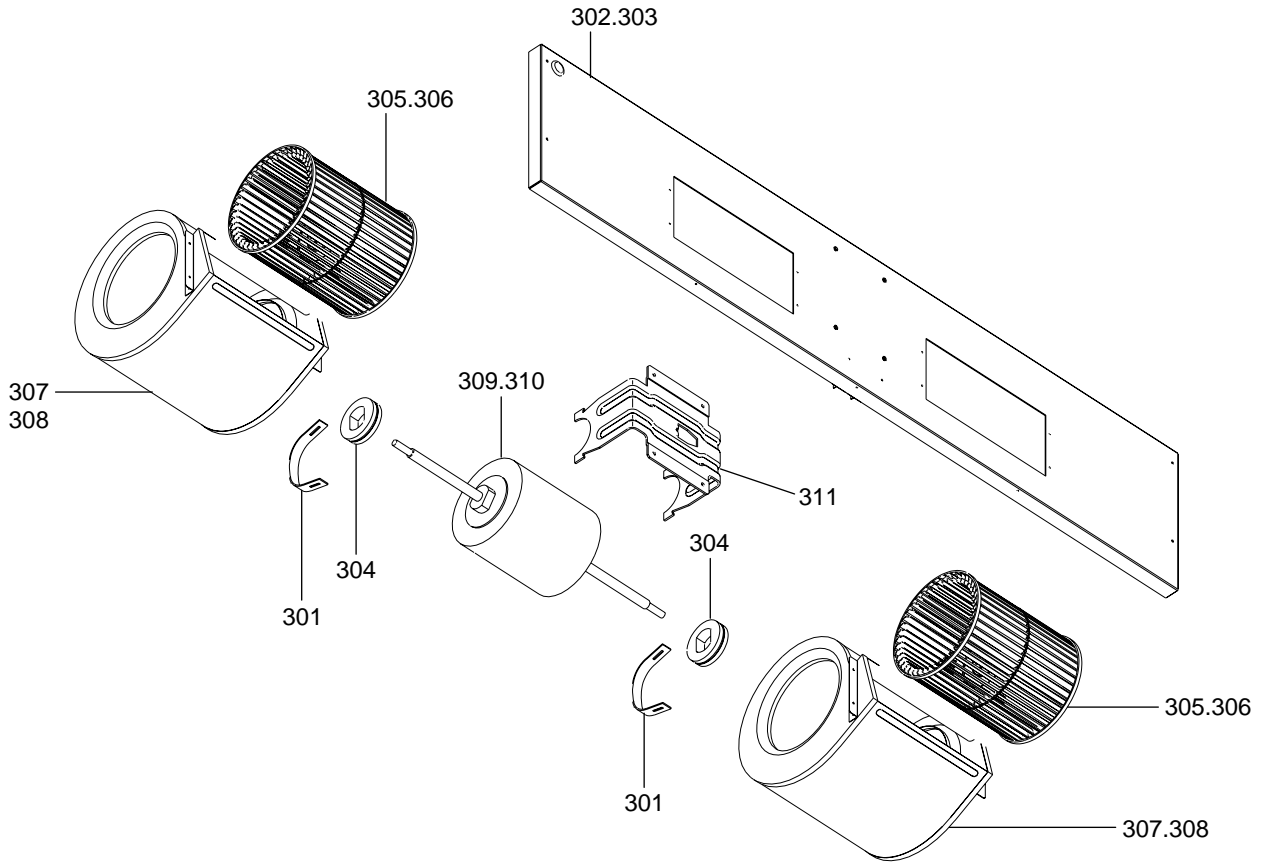
EXTERNAL PARTS (2)



No.	Part No.	G : RoHS Apply Only W : RoHS Apply by Running Change		Spec.	PEAD-RP71EA#1	PEAD-RP100EA2#1	PEAD-RP125EA#1	PEAD-RP140EA#1	Dwg. No.	Price	Revision History
			Part Name								
201	S70 041 669G	G	Bottom plate 1		1				W634050Z01		
202	S70 042 669G	G	Bottom plate 1			1	1		W634028Z01		
203	S70 040 669G	G	Bottom plate 1				1		W631101Z04		
204	S70 051 669G	G	Bottom plate 2 assy		1				W634052G02		
205	S70 052 669G	G	Bottom plate 2 assy			1	1		W634030G02		
206	S70 050 669G	G	Bottom plate 2 assy				1		W631188G03		
207	S70 K06 480G	G	Heat exchanger assy		1				W268528G07		
208	S70 K13 480G	G	Heat exchanger assy			1			W268528G10		
209	S70 K14 480G	G	Heat exchanger assy				1		W268528G11		
210	S70 K15 480G	G	Heat exchanger assy				1		W268529G04		
211	S70 050 529G	G	Drain pan assy		1				W634056G01		
212	S70 060 529G	G	Drain pan assy			1	1		W634034G01		
213	S70 040 529G	G	Drain pan assy				1		W631186G01		
214	S70 050 500G	G	Filter		1				W645497G01		
215	S70 040 500G	G	Filter			1	1		W645497G02		
216	S70 010 500G	G	Filter				1		W645497G03		

PEAD-RP35EA2#1
 PEAD-RP50EA#1
 PEAD-RP60EA#1

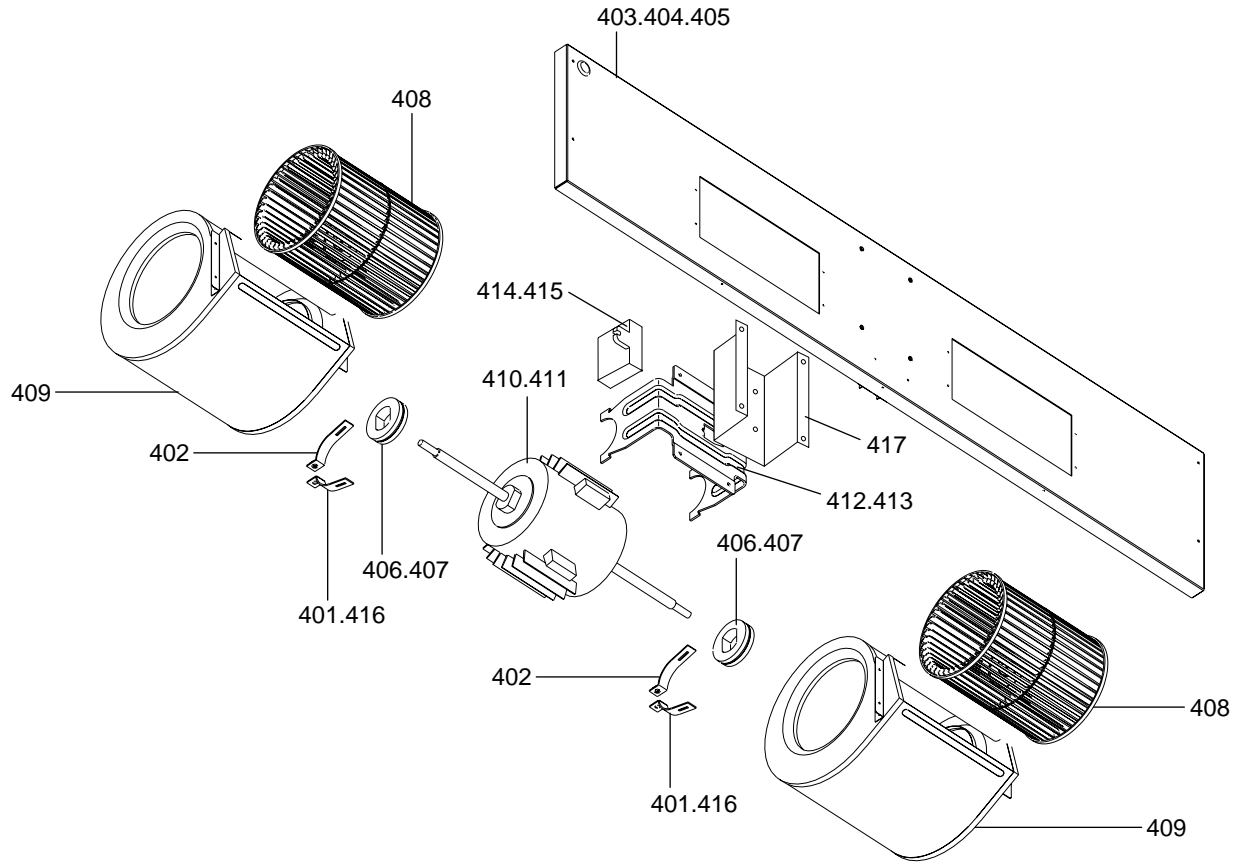
BLOWER PARTS (1)



No.	Part No.	G : RoHS Apply Only W : RoHS Apply by Running Change		Spec.	PEAD-RP35EA2#1	PEAD-RP50EA#1	PEAD-RP60EA#1			Dwg. No.	Price	Revision History
			Part Name									
301	S70 652 131	G	Attachment		2	2	2			W353715H01		
302	S70 051 677G	G	Fan base assy		1	1				W638932G04		
303	S70 061 677G	G	Fan base assy				1			W638905G04		
304	S70 922 105	G	Bush		2	2	2			W818836H01		
305	S70 A88 114	G	Sirocco fan		2	2				W122296G02		
306	S70 A89 114	G	Sirocco fan				2			W122297G02		
307	S70 989 110G	G	Housing assy		2	2				W638949G03		
308	S70 985 110G	G	Housing assy				2			W638949G04		
309	S70 Y58 220	G	Motor	<MF>	1	1				P714316X02		
310	S70 Y56 220	G	Motor	<MF>			1			P714774X01		
311	S70 652 130	G	Motor support		1	1	1			W241060H03		

PEAD-RP71EA#1
 PEAD-RP100EA2#1
 PEAD-RP125EA#1
 PEAD-RP140EA#1

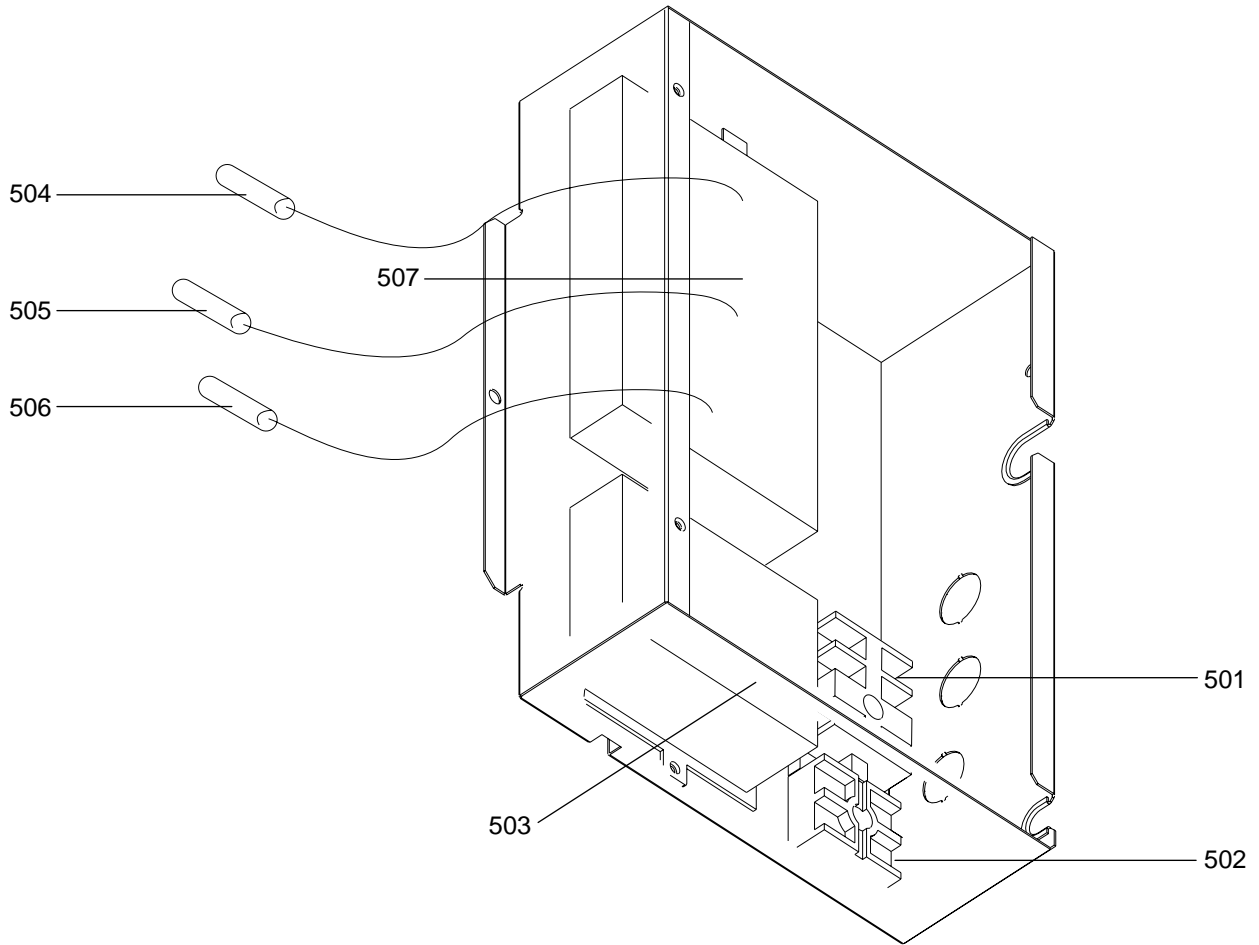
BLOWER PARTS (2)



No.	Part No.	G : RoHS Apply Only W : RoHS Apply by Running Change		Spec.	PEAD-RP71EA#1	PEAD-RP100EA2#1	PEAD-RP125EA#1	PEAD-RP140EA#1	Dwg. No.	Price	Revision History
			Part Name								
401	S70 508 131	G	Attachment (Piece)		2	2	2		R302K338H02		
402	S70 508 132	G	Attachment (Piece)	with a nut	2	2	2		R302K338G82		
403	S70 073 677G	G	Fan base assy		1				W634058G03		
404	S70 072 677G	G	Fan base assy		1	1			W634036G03		
405	S70 070 677G	G	Fan base assy				1		W631187G03		
406	S70 922 105	G	Bush		2				W818836H01		
407	S70 Y01 105	G	Bush		2	2	2		W860050H02		
408	S70 Y07 114G	G	Sirocco fan	20-25L	2	2	2	2	W631126G02		
409	S70 001 110G	G	Housing assy		2	2	2	2	W631120G02		
410	S70 Y15 220	G	Motor	<MF>150W,1Phase220~240V	1				P714964X01		
411	S70 Y17 220	G	Motor	<MF>270W,1Phase220~240V	1	1	1		P714940X01		
412	S70 652 130	G	Motor support		1				W241060H03		
413	S70 Y08 130	G	Leg		1	1	1		W631122Z04		
414	S70 010 255	G	Capacitor 6	<C>	1				P412172X01		
415	S70 020 255	G	Capacitor 16	<C>		2	2		P412223X01		
416	S70 652 131	G	Attachment		2				W353715H01		
417	S70 090 130G	G	Motor base		1				W634069Z02		

PEAD-RP35,RP100EA2#1
 PEAD-RP50,RP60,RP71EA#1
 PEAD-RP125,RP140EA#1

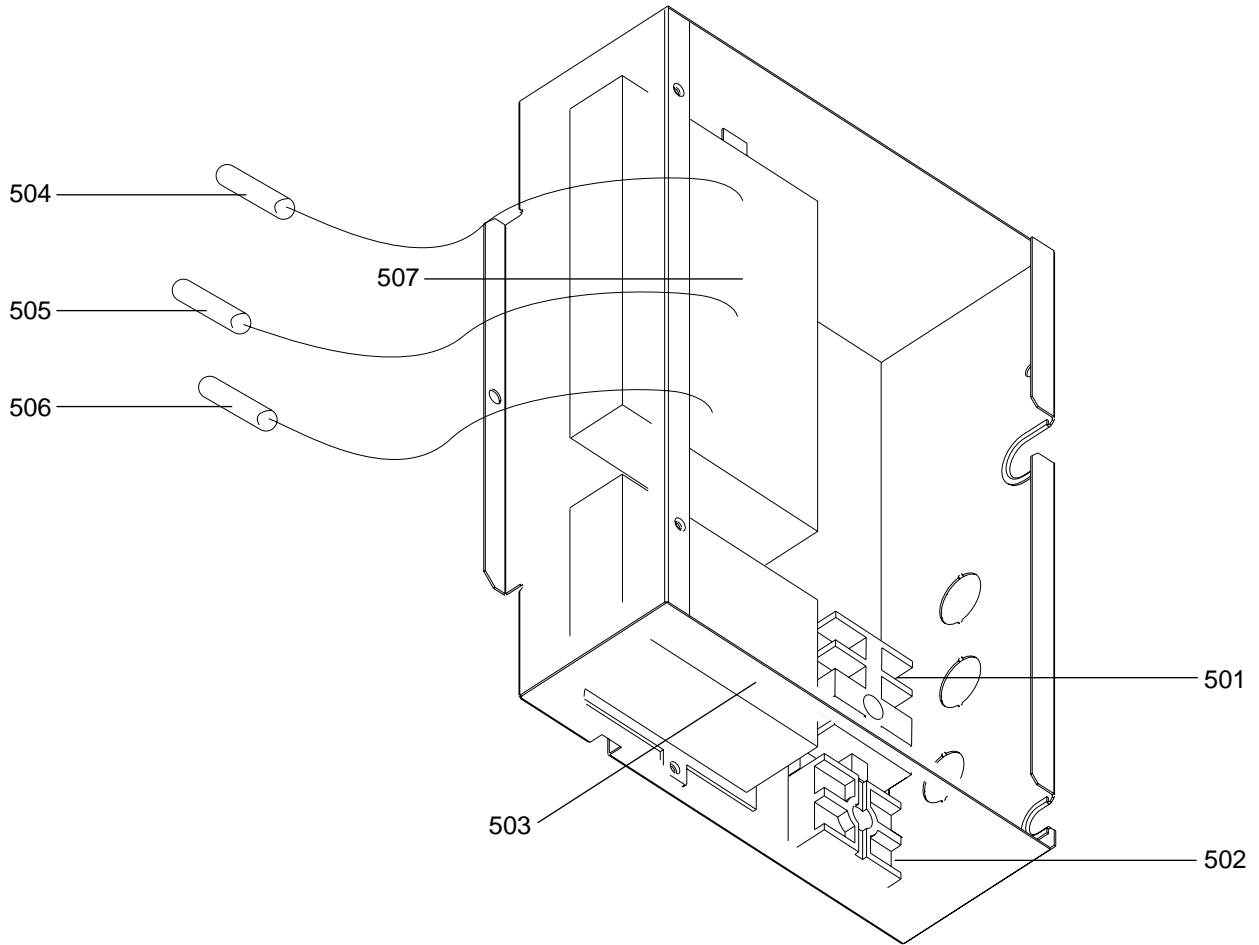
CONTROL BOX PARTS



No.	Part No.	G : RoHS Apply Only W : RoHS Apply by Running Change		Spec.	PEAD-RP35EA2#1	PEAD-RP50EA#1	PEAD-RP60EA#1	PEAD-RP71EA#1	PEAD-RP100EA2#1	PEAD-RP125EA#1	Dwg. No.	Price	Revision History
			Part Name										
501	S70 979 717	G	Terminal bed	<TB4>	1	1	1	1	1	1	P436110X01		
502	S70 435 717	G	Terminal bed	<TB5>	1	1	1	1	1	1	BA73S950H02		
503	S70 K06 313	G	Power board	PWB	1	1	1	1	1	1	RG00B435F12		
504	S70 KW1 202	G	Thermistor	<TH1>RED	1	1	1	1	1	1	RG71B018H02		
505	S70 KW2 202	G	Thermistor	<TH2>WHITE	1	1	1	1	1	1	RG71J486H12		
506	S70 KW3 202	G	Thermistor	<TH5>BLACK	1	1	1	1	1	1	RG71J488H12		
507	S70 K70 310	G	Controller board	I.B	1	1	1	1	1	1	RG00N579B44		

PEAD-RP35,RP100EA2#1
 PEAD-RP50,RP60,RP71EA#1
 PEAD-RP125,RP140EA#1

CONTROL BOX PARTS



No.	Part No.	G : RoHS Apply Only W : RoHS Apply by Running Change		Spec.	PEAD-RP140EA#1						Dwg. No.	Price	Revision History
			Part Name										
501	S70 979 717	G	Terminal bed	<TB4>	1						P436110X01		
502	S70 435 717	G	Terminal bed	<TB5>	1						BA73S950H02		
503	S70 K06 313	G	Power board	PWB	1						RG00B435F12		
504	S70 KW1 202	G	Thermistor	<TH1>RED	1						RG71B018H02		
505	S70 KW2 202	G	Thermistor	<TH2>WHITE	1						RG71J486H12		
506	S70 KW3 202	G	Thermistor	<TH5>BLACK	1						RG71J488H12		
507	S70 K70 310	G	Controller board	I.B	1						RG00N579B44		

