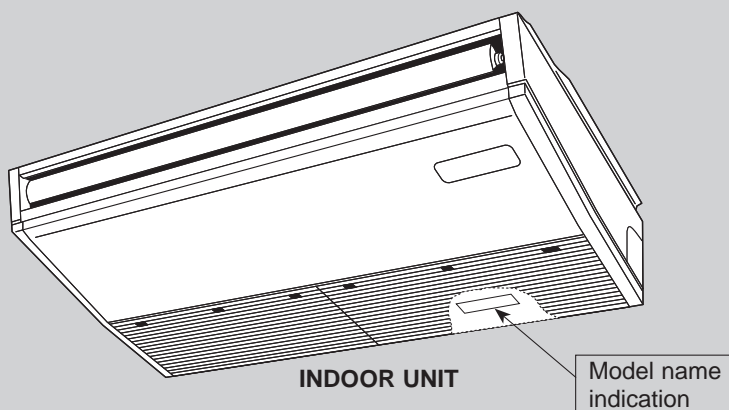


# PARTS CATALOG

## Series PCA Ceiling Suspended R32/R410A

Indoor unit [Model Name]	[Service Ref.]
PCA-M35KA	<b>PCA-M35KA</b>
PCA-M50KA	<b>PCA-M50KA</b>
PCA-M60KA	<b>PCA-M60KA</b>
PCA-M71KA	<b>PCA-M71KA</b>
PCA-M100KA	<b>PCA-M100KA</b>
PCA-M125KA	<b>PCA-M125KA</b>
PCA-M140KA	<b>PCA-M140KA</b>

Note:  
 • RoHS compliant products have <G> mark on the spec name plate.

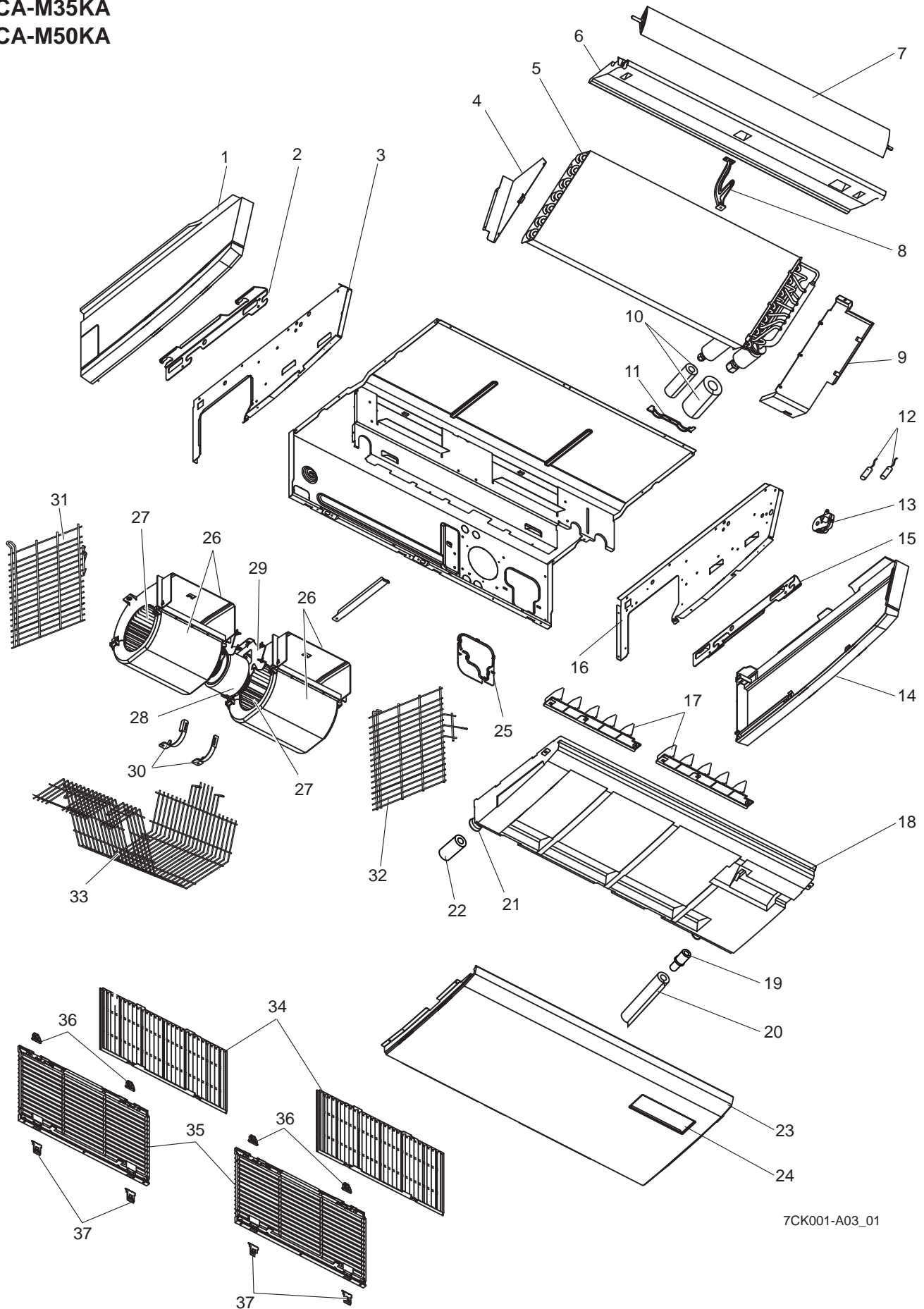


### CONTENTS

1. RoHS PARTS LIST ..... 2
2. OPTIONAL PARTS ..... 9

**SERVICE MANUAL (OCH659)**

**STRUCTURAL AND FUNCTIONAL PARTS**  
**PCA-M35KA**  
**PCA-M50KA**



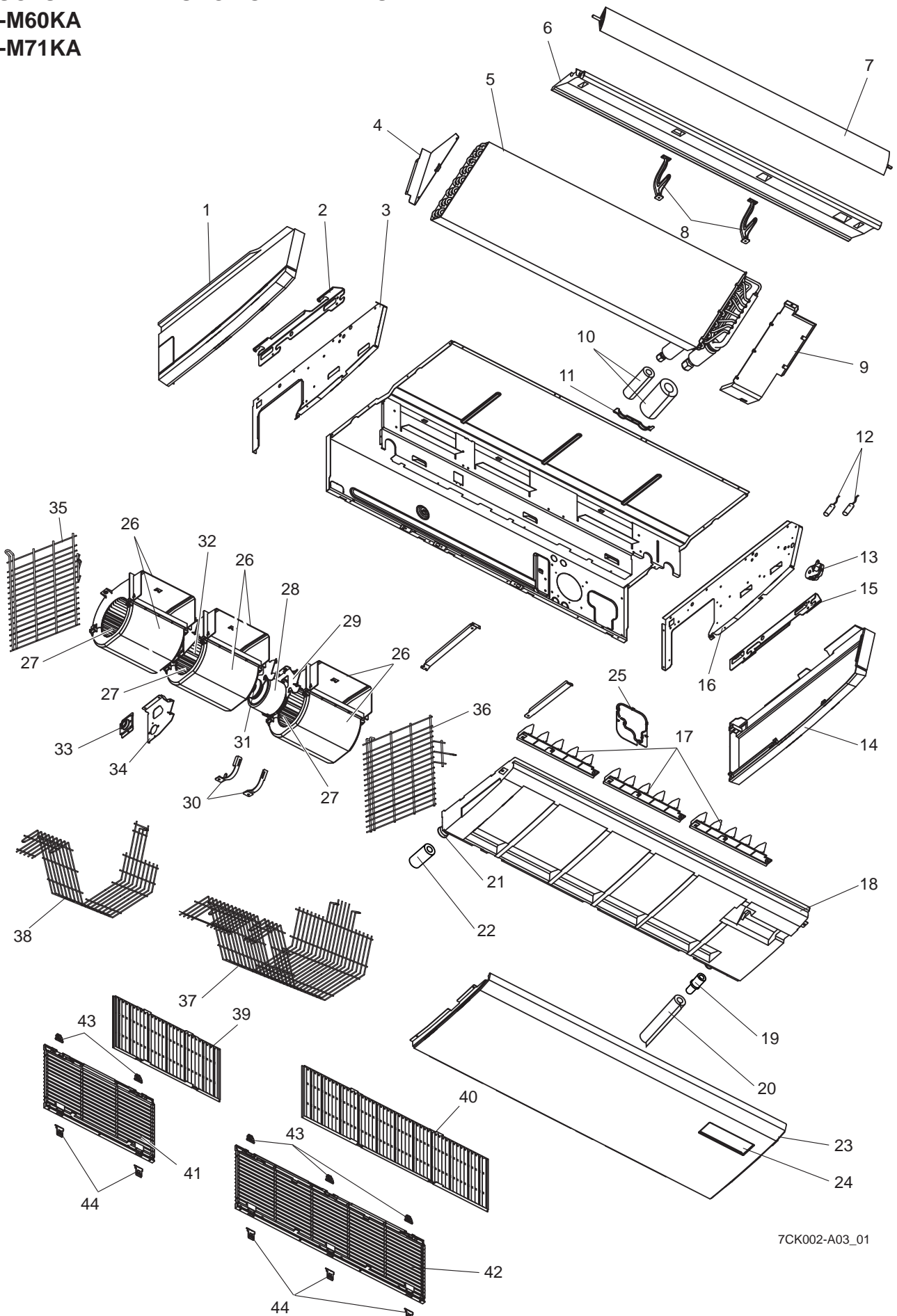
7CK001-A03\_01

# RoHS PARTS LIST

No.	RoHS	Parts No.	Parts Name	Specification	Q'ty/unit		Remarks (Drawing No.)	Wiring Diagram Symbol
					PCA-M35KA	PCA-M50KA		
1	G	R01 E26 662	SIDE PANEL-L		1	1	WITH HANGER	
2	G	R01 E06 809	LEG-L		1	1		
3	G	R01 E02 666	SIDE PLATE-L		1	1	WITH LEG-L	
4	G	R01 E05 615	COIL SUPPORT-H		1	1		
5	G	T7W C00 480	HEAT EXCHANGER		1			
	G	T7W C01 480	HEAT EXCHANGER			1		
6	G	R01 E12 651	FRONT PANEL-S		1	1		
7	G	R01 E28 002	AUTO VANE-S		1	1		
8	G	R01 E04 033	VANE SUPPORT		1	1		
9	G	R01 E04 615	COIL SUPPORT		1	1		
10	G	R01 E06 660	PIPE COVERS SET		1	1		
11	G	R01 E02 126	PIPE BAND		1	1		
12	G	T7W E61 202	THERMISTOR (PIPE)		1	1		TH2/TH5
13	G	R01 E31 223	VANE MOTOR ASSY		1	1	WITH LEAD WIRE	MV
14	G	R01 E45 661	SIDE PANEL-R		1	1	WITH HANGER	
15	G	R01 E06 808	LEG-R		1	1		
16	G	R01 E02 665	SIDE PLATE-R		1	1	WITH LEG-R	
17	G	R01 E03 085	GUIDE VANE (5)		2	2		
18	G	R01 E42 529	DRAIN PAN		1	1		
19	G	R01 18J 523	JOINT SOCKET		1	1	VP20	
20	G	R01 18J 072	DRAIN HOSE COVER		1	1		
21	G	R01 18J 524	DRAIN PLUG		1	1		
22	G	R01 E03 660	DRAIN SOCKET COVER		1	1		
23	G	R01 E03 669	UNDER PANEL-S		1	1		
24	G	R01 E03 070	BRAND PLATE		1	1		
25	G	R01 E00 053	PIPE HOLE COVER		1	1		
26	G	R01 20J 110	CASING (UNDER & TOP)		2	2	TOP & UNDER	
27	G	R01 E40 114	SIROCCO FAN (AL12)		2	2	BOSS $\phi$ 12	
28	G	T7W C02 220	FAN MOTOR		1	1		MF
29	G	T7W E16 130	MOTOR LEG		1	1		
30	G	T7W E02 126	PIECE (R.L)		1	1	LEFT & RIGHT	
31	G	T7W E20 675	FAN GUARD-L		1	1		
32	G	T7W E21 675	FAN GUARD-R		1	1		
33	G	T7W E22 675	FAN GUARD		1	1	FOR MF	
34	G	R01 E24 500	AIR FILTER-S		2	2		
35	G	R01 E54 691	GRILLE-S		2	2	WITH HANGER	
36	G	R01 E04 061	GRILLE HINGE		4	4		
37	G	R01 E11 054	GRILLE CATCH		4	4		

# RoHS PARTS LIST

## STRUCTURAL AND FUNCTIONAL PARTS PCA-M60KA PCA-M71KA



7CK002-A03\_01

# RoHS PARTS LIST

No.	RoHS	Parts No.	Parts Name	Specification	Q'ty/unit		Remarks (Drawing No.)	Wiring Diagram Symbol
					PCA-M60KA	PCA-M71KA		
1	G	R01 E26 662	SIDE PANEL-L		1	1	WITH HANGER	
2	G	R01 E06 809	LEG-L		1	1		
3	G	R01 E02 666	SIDE PLATE-L		1	1	WITH LEG-L	
4	G	R01 E05 615	COIL SUPPORT-H		1	1		
5	G	T7W C02 480	HEAT EXCHANGER		1			
	G	T7W C03 480	HEAT EXCHANGER			1		
6	G	R01 E13 651	FRONT PANEL-M		1	1		
7	G	R01 E29 002	AUTO VANE-M		1	1		
8	G	R01 E04 033	VANE SUPPORT		2	2		
9	G	R01 E04 615	COIL SUPPORT		1	1		
10	G	R01 E06 660	PIPE COVERS SET		1	1		
11	G	R01 E02 126	PIPE BAND		1	1		
12	G	T7W E61 202	THERMISTOR (PIPE)		1	1		TH2/TH5
13	G	R01 E31 223	VANE MOTOR ASSY		1	1	WITH LEAD WIRE	MV
14	G	R01 E45 661	SIDE PANEL-R		1	1	WITH HANGER	
15	G	R01 E06 808	LEG-R		1	1		
16	G	R01 E02 665	SIDE PLATE-R		1	1	WITH LEG-R	
17	G	R01 E03 085	GUIDE VANE (5)		3	3		
18	G	R01 E43 529	DRAIN PAN		1	1		
19	G	R01 18J 523	JOINT SOCKET		1	1	VP20	
20	G	R01 18J 072	DRAIN HOSE COVER		1	1		
21	G	R01 18J 524	DRAIN PLUG		1	1		
22	G	R01 E03 660	DRAIN SOCKET COVER		1	1		
23	G	R01 E04 669	UNDER PANEL-M		1	1		
24	G	R01 E03 070	BRAND PLATE		1	1		
25	G	R01 E00 053	PIPE HOLE COVER		1	1		
26	G	R01 20J 110	CASING (UNDER & TOP)		3	3	TOP & UNDER	
27	G	R01 E40 114	SIROCCO FAN (AL12)		3	3	BOSS $\phi$ 12	
28	G	T7W C03 220	FAN MOTOR		1	1		MF
29	G	T7W E16 130	MOTOR LEG		1	1		
30	G	T7W E02 126	PIECE (R.L)		1	1	LEFT & RIGHT	
31	G	R01 E00 116	JOINT (SHAFT)		1	1		
32	G	R01 31J 100	SHAFT		1	1		
33	G	R01 E05 103	BEARING		1	1	OIL SET	
34	G	R01 E00 145	BEARING SUPPORT		1	1		
35	G	T7W E20 675	FAN GUARD-L		1	1		
36	G	T7W E21 675	FAN GUARD-R		1	1		
37	G	T7W E23 675	FAN GUARD		1	1	FOR MF	
38	G	T7W E24 675	FAN GUARD		1	1		
39	G	R01 E24 500	AIR FILTER-S		1	1		
40	G	R01 E25 500	AIR FILTER-L		1	1		
41	G	R01 E54 691	GRILLE-S		1	1	WITH HANGER	
42	G	R01 E55 691	GRILLE-L		1	1	WITH HANGER	
43	G	R01 E04 061	GRILLE HINGE		5	5		
44	G	R01 E11 054	GRILLE CATCH		5	5		

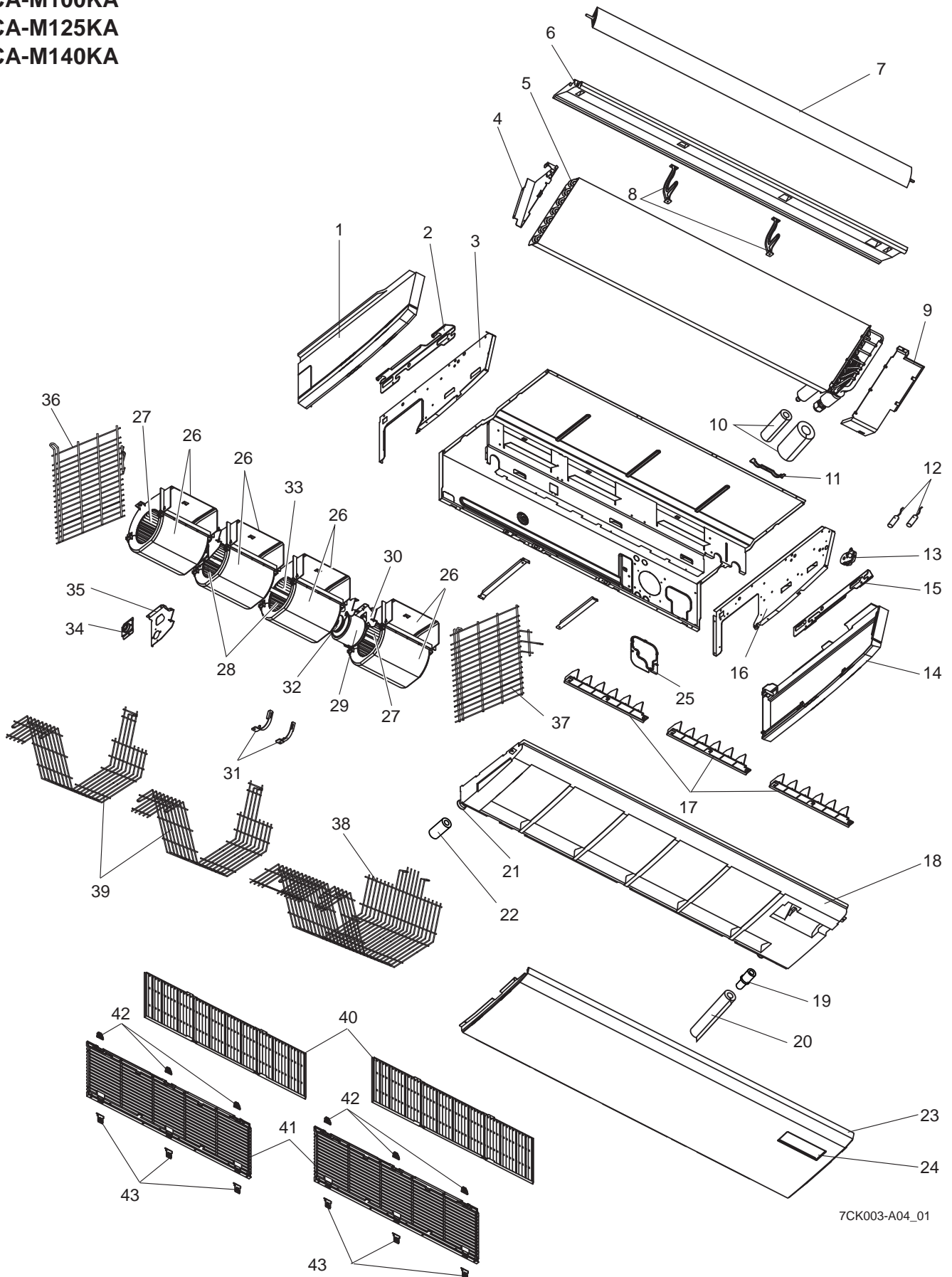
# RoHS PARTS LIST

## STRUCTURAL AND FUNCTIONAL PARTS

PCA-M100KA

PCA-M125KA

PCA-M140KA



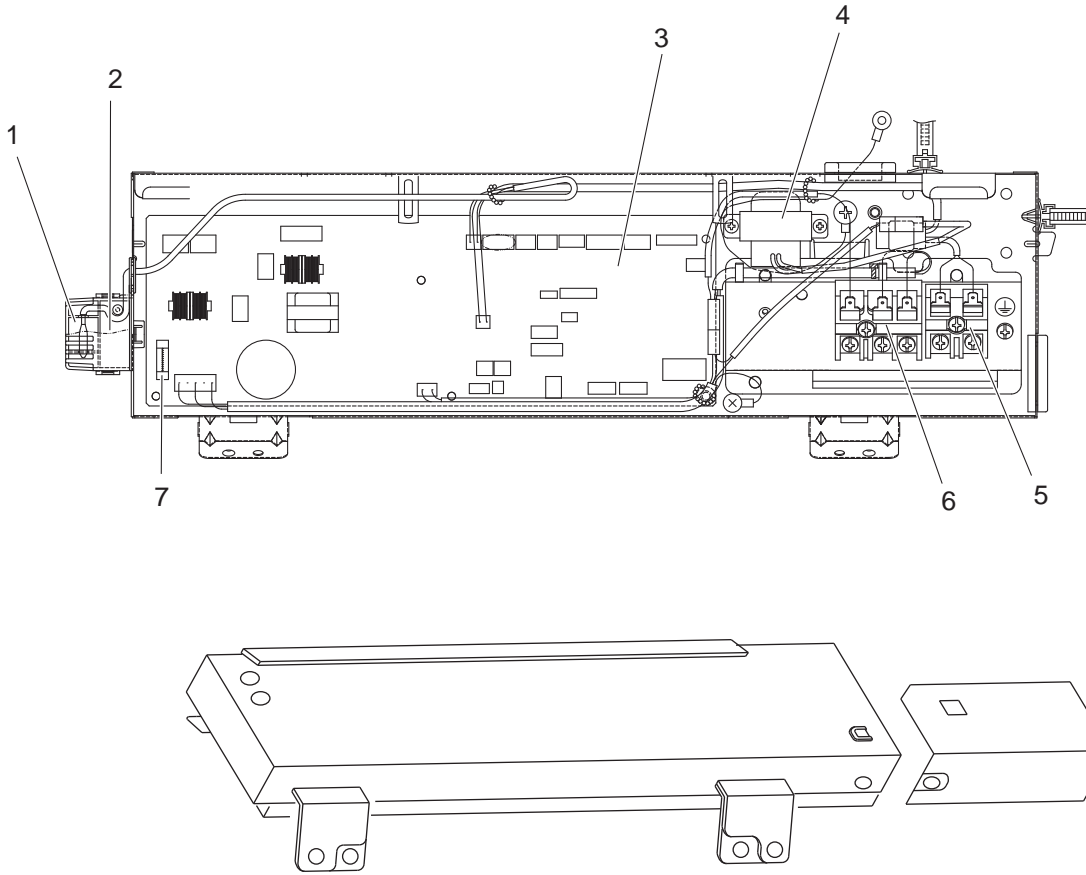
7CK003-A04\_01

# RoHS PARTS LIST

No.	RoHS	Parts No.	Parts Name	Specification	Q'ty/unit			Remarks (Drawing No.)	Wiring Diagram Symbol
					PCA- M100KA	PCA- M125KA	PCA- M140KA		
1	G	R01 E26 662	SIDE PANEL-L		1	1	1	WITH HANGER	
2	G	R01 E06 809	LEG-L		1	1	1		
3	G	R01 E02 666	SIDE PLATE-L		1	1	1	WITH LEG-L	
4	G	R01 E08 615	COIL SUPPORT-H		1	1			
	G	R01 E09 615	COIL SUPPORT-H				1		
5	G	T7W C04 480	HEAT EXCHANGER		1				
	G	T7W C05 480	HEAT EXCHANGER			1			
	G	T7W C06 480	HEAT EXCHANGER				1		
6	G	R01 E14 651	FRONT PANEL-L		1	1	1		
7	G	R01 E30 002	AUTO VANE-L		1	1	1		
8	G	R01 E04 033	VANE SUPPORT		2	2	2		
9	G	R01 E04 615	COIL SUPPORT		1	1	1		
10	G	R01 E06 660	PIPE COVERS SET		1	1	1		
11	G	R01 E02 126	PIPE BAND		1	1	1		
12	G	T7W E61 202	THERMISTOR (PIPE)		1	1	1		TH2/TH5
13	G	R01 E31 223	VANE MOTOR ASSY		1	1	1	WITH LEAD WIRE	MV
14	G	R01 E45 661	SIDE PANEL-R		1	1	1	WITH HANGER	
15	G	R01 E06 808	LEG-R		1	1	1		
16	G	R01 E02 665	SIDE PLATE-R		1	1	1	WITH LEG-R	
17	G	R01 E04 085	GUIDE VANE (6)		3	3	3		
18	G	R01 E44 529	DRAIN PAN		1	1	1		
19	G	R01 18J 523	JOINT SOCKET		1	1	1	VP20	
20	G	R01 18J 072	DRAIN HOSE COVER		1	1	1		
21	G	R01 18J 524	DRAIN PLUG		1	1	1		
22	G	R01 E03 660	DRAIN SOCKET COVER		1	1	1		
23	G	R01 E05 669	UNDER PANEL-L		1	1	1		
24	G	R01 E03 070	BRAND PLATE		1	1	1		
25	G	R01 E00 053	PIPE HOLE COVER		1	1	1		
26	G	R01 20J 110	CASING (UNDER & TOP)		4	4	4	TOP & UNDER	
27	G	R01 E40 114	SIROCCO FAN (AL12)		2	2	2	BOSS $\phi$ 12	
28	G	R01 E41 114	SIROCCO FAN (AL15)		2	2	2	BOSS $\phi$ 15	
29	G	T7W E40 762	FAN MOTOR		1	1	1		MF
30	G	T7W E16 130	MOTOR LEG		1	1	1		
31	G	T7W E02 126	PIECE (R.L)		1	1	1	LEFT & RIGHT	
32	G	R01 E00 116	JOINT (SHAFT)		1	1	1		
33	G	R01 32J 100	SHAFT		1	1	1		
34	G	R01 E05 103	BEARING		1	1	1	OIL SET	
35	G	R01 E00 145	BEARING SUPPORT		1	1	1		
36	G	T7W E20 675	FAN GUARD-L		1	1	1		
37	G	T7W E21 675	FAN GUARD-R		1	1	1		
38	G	T7W E23 675	FAN GUARD		1	1	1	FOR MF	
39	G	T7W E25 675	FAN GUARD		2	2	2		
40	G	R01 E25 500	AIR FILTER-L		2	2	2		
41	G	R01 E55 691	GRILLE-L		2	2	2	WITH HANGER	
42	G	R01 E04 061	GRILLE HINGE		6	6	6		
43	G	R01 E11 054	GRILLE CATCH		6	6	6		

# RoHS PARTS LIST

## ELECTRICAL PARTS



7CK00-E02ES

No.	RoHS	Parts No.	Parts Name	Specification	Q'ty/unit						Remarks (Drawing No.)	Wiring Diagram Symbol	
					PCA-M35KA	PCA-M50KA	PCA-M60KA	PCA-M71KA	PCA-M100KA	PCA-M125KA			PCA-M140KA
1	G	R01 N18 202	THERMISTOR (ROOM)		1	1	1	1	1	1	1		TH1
2	G	R01 E01 520	SENSOR COVER		1	1	1	1	1	1	1		
3	G	T7W S05 310	CONTROLLER BOARD		1	1	1	1	1	1	1		I.B
4	G	T7W E19 259	REACTOR		1	1	1	1	1	1	1		DCL
5	G	T7W E33 716	TERMINAL BLOCK	2P (1,2)	1	1	1	1	1	1	1		TB5
6	G	R01 E20 246	TERMINAL BLOCK	3P (S1, S2, S3)	1	1	1	1	1	1	1		TB4
7	G	R01 E14 239	FUSE	250V 6.3A	1	1	1	1	1	1	1		FUSE



## 2

## OPTIONAL PARTS

PARTS NAME	PARTS NO.	PCA-M•KA			
		35/50	60	71	100/125/140
High-efficiency filter element	PAC-SH88KF-E	○			
	PAC-SH89KF-E		○	○	
	PAC-SH90KF-E				○
Drain pump	PAC-SJ92DM-E	○			
	PAC-SJ93DM-E			○	○
	PAC-SJ94DM-E		○		
System control interface	MAC-333IF	○	○	○	—
MA and contact terminal interface	MAC-397F-E	○	○	○	—
Wi-Fi interface	MAC-567IF-E	○	○	○	○
Power supply terminal kit	PAC-SG96HR-E	○	○	○	○
Wired remote controller	PAR-32MAA	○	○	○	○
	PAC-YT52CRA	○	○	○	○
Signal sender	PAR-SL97A-E	○	○	○	○
Controller kit	PAR-SL94B-E	○	○	○	○
Remote sensor	PAC-SE41TS-E	○	○	○	○
Remote on/off adapter	PAC-SE55RA-E	○	○	○	○
Remote operation adapter	PAC-SE40RA-E	○	○	○	○
Connector cable for remote display	PAC-SA88HA-E	○	○	○	○

**Mr. SLIM**

**mitsubishi electric corporation**

HEAD OFFICE : TOKYO BUILDING, 2-7-3, MARUNOUCHI, CHIYODA-KU, TOKYO 100-8310, JAPAN

---