

# Air Conditioning

## Product Information

**PCA-RP50KAQ** (Single Phase)  
**Power Inverter Heat Pump**  
Ceiling Suspended System

Making a  
World of  
Difference

Mr.SLIM™



Our wide range of Power Inverters offer customers high seasonal efficiency, advanced control options and quiet operation, whilst providing greater flexibility and ease of installation.

### Key Features

- Stylish indoor unit designed for direct ceiling suspension
- Flush to wall installation for concealment of service connections
- Automatic air speed adjustment
- High/low ceiling height modes



Air Conditioning | Heating  
Ventilation | Controls



# Air Conditioning

## Product Information

**PCA-RP50KAQ** (Single Phase)  
**Power Inverter Heat Pump**  
 Ceiling Suspended System

Making a  
 World of  
 Difference

PCA-RP - INDOOR UNITS		PCA-RP50KAQ
CAPACITY (kW)	Heating (nominal)	5.5 (2.5-6.6)
	Cooling (nominal)	5.0 (2.3-5.6)
	Heating (UK)	4.7 (2.15-5.6)
	Cooling (UK)	4.6 (2.1-5.15)
SHF (nominal & UK)		0.79
COP / EER (nominal)		3.79 / 3.73
SCOP / SEER (BS EN14825)		4.2 / 6.0
EP ENERGY EFFICIENCY CLASS	Heating/Cooling	A+ / A+
AIRFLOW (l/s)	Lo-Mi1-Mi2-Hi	167-183-217-250
PIPE SIZE mm (in)	Gas/Liquid	12.7 (1/2") / 6.35 (1/4")
SOUND PRESSURE LEVEL (dBA)	Lo-Mi1-Mi2-Hi	32-34-37-40
SOUND POWER LEVEL (dBA)		60
DIMENSIONS (mm)	Width x Depth x Height	960 x 680 x 230
WEIGHT (kg)		25
ELECTRICAL SUPPLY		Fed by Outdoor Unit
FUSE RATING (BS88) - HRC (A)		6
INTERCONNECTING CABLE No. Cores		4

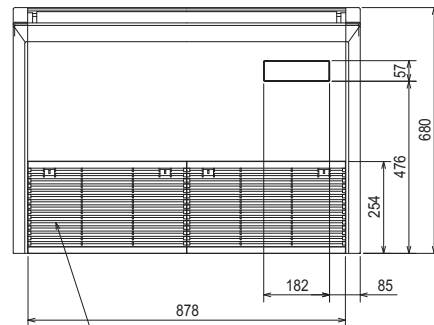
PUHZ-ZRP - OUTDOOR UNITS		PUHZ-ZRP50VKA
SOUND PRESSURE LEVEL (dBA)	Heating/Cooling	46 / 44
SOUND POWER LEVEL (dBA)	Cooling	65
WEIGHT (kg)		46
DIMENSIONS (mm)	Width x Depth x Height	809 x 300 x 630
ELECTRICAL SUPPLY		220-240v, 50Hz
PHASE		Single
SYSTEM POWER	Heating/Cooling (nominal)	1.45 / 1.34
INPUT (kW)	Heating/Cooling (UK)	1.29 / 1.14
STARTING CURRENT (A)		5.0
SYSTEM RUNNING CURRENT (A)	Heating/Cooling [MAX]	7.23 / 6.56 [13.4]
FUSE RATING (BS88) - HRC (A)		16
MAINS CABLE No. Cores		3
MAX PIPE LENGTH (m)		50
MAX HEIGHT DIFFERENCE (m)		30
CHARGE R410A (kg) - 30m		2.2

Note: High efficiency filter is optional



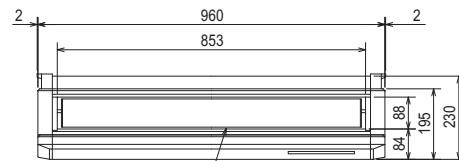
## DIMENSIONS

Front View



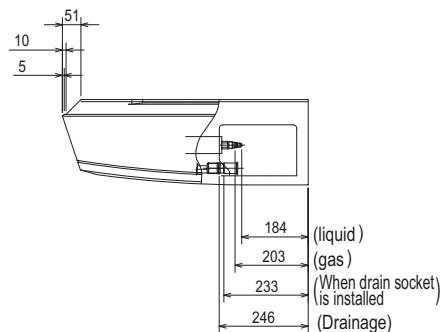
Air intake

Upper View



Air outlet

Back View



Telephone: 01707 282880

email: [air.conditioning@meuk.mee.com](mailto:air.conditioning@meuk.mee.com) web: [www.airconditioning.mitsubishielectric.co.uk](http://www.airconditioning.mitsubishielectric.co.uk)

UNITED KINGDOM Mitsubishi Electric Europe Living Environmental Systems Division  
 Travellers Lane, Hatfield, Hertfordshire, AL10 8XB, England General Enquiries Telephone: 01707 282880 Fax: 01707 278881

IRELAND Mitsubishi Electric Europe Westgate Business Park, Ballymount, Dublin 24, Ireland  
 Telephone: Dublin (01) 419 8800 Fax: Dublin (01) 419 8890 International code: (003531)

Country of origin: United Kingdom - Japan - Thailand - Malaysia. ©Mitsubishi Electric Europe 2015. Mitsubishi and Mitsubishi Electric are trademarks of Mitsubishi Electric Europe B.V. The company reserves the right to make any variation in technical specification to the equipment described, or to withdraw or replace products without prior notification or public announcement. Mitsubishi Electric is constantly developing and improving its products. All descriptions, illustrations, drawings and specifications in this publication present only general particulars and shall not form part of any contract. All goods are supplied subject to the Company's General Conditions of Sale, a copy of which is available on request. Third-party product and brand names may be trademarks or registered trademarks of their respective owners.



Note: The fuse rating is for guidance only. Please refer to the relevant databook for detailed specification. It is the responsibility of a qualified electrician/electrical engineer to select the correct cable size and fuse rating based on current regulation and site specific conditions. Mitsubishi Electric's air conditioning and heat pump systems contain fluorinated greenhouse gases R410A, R407C and R134a.



[www.greengateway.mitsubishielectric.co.uk](http://www.greengateway.mitsubishielectric.co.uk)

Mitsubishi Electric UK's commitment to the environment

Follow us @meuk\_Les  
 Follow us @green\_gateway

Mitsubishi Electric  
 Living Environmental Systems UK

YouTube  
 mitsubishielectric2

Effective as of April 2015