



PCA-RP50KA

Standard Inverter Heat Pump
R410A Ceiling Suspended System

The new Standard Inverter range provides inverter solutions for customers who want all the benefits that inverters offer, but do not have the budget available for the more expensive Power Inverter range.

- **Indoor unit designed for direct ceiling suspension**
- **Flush to wall installation for concealment of service connections**



Pictures not to scale

Product Details

PCA-RP50KA Indoor Unit

Capacity (kW):	
Heating (Nominal) (Low - High)	5.50 (0.90 - 6.60)
Cooling (Nominal) (Low - High)	5.00 (1.10 - 5.60)
Heating (UK) (Low - High)	4.55 (0.75 - 5.50)
Cooling (UK) (Low - High)	4.95 (1.10 - 5.55)
SHF R410A (Nominal)	0.79
COP / EER (Nominal)	3.22 / 3.01
Energy Label Heating / Cooling	C / B
Width - mm	960
Depth - mm	680
Height - mm	230
Weight - kg	25
Airflow (m3/min) - Lo-Mi1-Mi2-Hi	10-11-13-15
Noise (dBA) - Lo-Mi1-Mi2-Hi	32-34-37-40
Electrical Supply	Fed by Outdoor Unit
Phase	Single
Fuse Rating (BS88) - HRC (A)	6
Interconnecting Cable No. Cores	4

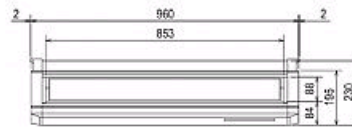
SUZ-KA50VAR2 Outdoor Unit

Width - mm	840
Depth - mm	330
Height - mm	850
Weight - kg	53
Noise (dBA) (Heating /Cooling) - Lo-Hi	53-55 /51-53
Electrical Supply	220-240v, 50Hz
Phase	Single
Fuse Rating (BS88) - HRC (A)	20
SystemPower Input (kW) - Heating (Nominal)	1.71
SystemPower Input (kW) - Cooling (Nominal)	1.66
SystemPower Input (kW) - Heating (UK)	1.56
SystemPower Input (kW) - Cooling (UK)	1.33
Starting Current (A)	6.75
SystemRunning Current (A) - Heating / Cooling	6.72 / 7.12
Mains Cable No. Cores	3
Max Pipe Length (m)	30
Max Height Difference (m)	30
Charge (kg) - 7m	1.6

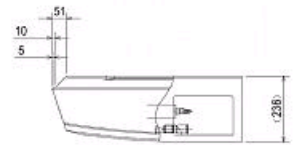
Dimensions

PCA-RP50KA

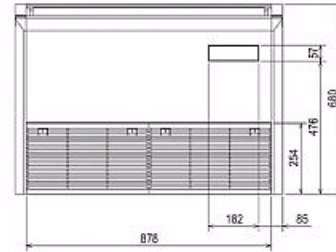
Front View >



Side View >

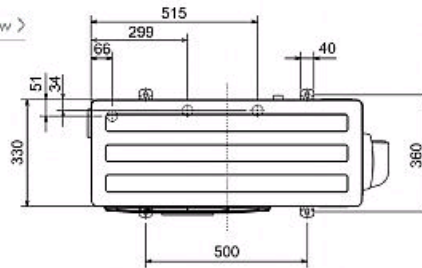


Lower View >

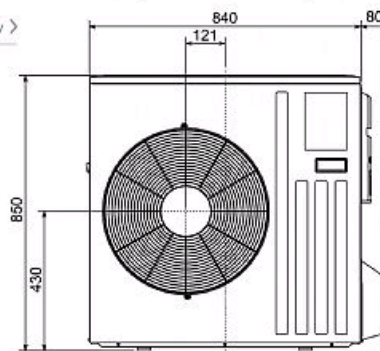


SUZ-KA50VAR2

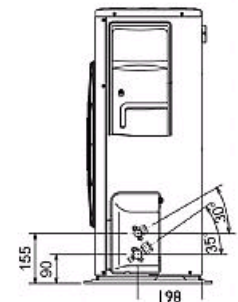
Upper View >



Front View >



Side View >



Telephone: 01707 282880

Email: air.conditioning@meuk.mee.com Website: <http://www.mitsubishielectric.co.uk/aircon>

Mitsubishi Electric reserves the right to make any variation in technical specification to the equipment described, or to withdraw or replace products without prior notification or public announcement.

Tel:
Fax:

