



PCA-RP71GA

Power Inverter Heat Pump

R410A Ceiling Suspended System

Advanced inverter technology makes the Mr Slim Power Inverter the number one choice for improving comfort. They provide energy savings of up to 70% annually when compared to a previous non-inverter model. Operating noise has also been reduced thanks to improvements in fan design, while existing pipe work is reusable for easier maintenance and installation.

- **Indoor unit designed for direct ceiling suspension**
- **Flush to wall installation for concealment of service connections**
- **Electronic control includes learning defrost, fault finding diagnostics, low ambient fan speed control and anti-phase/single phase protection**



Pictures not to scale

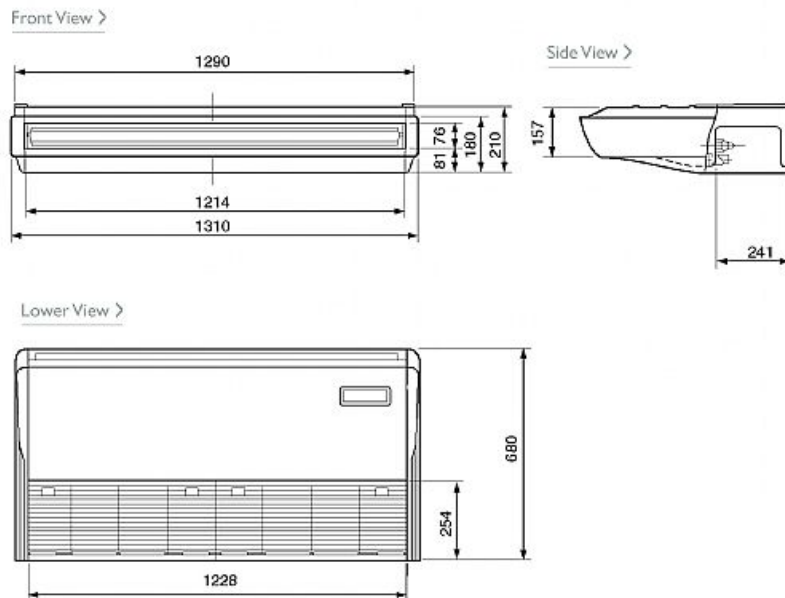
Product Details

PCA-RP71GA Indoor Unit	
Capacity (kW):	
Heating (Nominal) (Low - High)	7.60 (3.50 - 10.20)
Cooling (Nominal) (Low - High)	7.10 (3.30 - 8.10)
Heating (UK) (Low - High)	6.45 (3.00 - 8.65)
Cooling (UK) (Low - High)	6.40 (2.95 - 7.30)
SHF R410A (Nominal)	0.74
COP / EER (Nominal)	3.44 / 3.32
Energy Label Heating / Cooling	B / A
Width - mm	1310
Depth - mm	680
Height - mm	210
Weight - kg	34
Airflow (m ³ /min) - Lo-Mi1-Mi2-Hi	14-15-16-18
Noise (dBA) - Lo-Mi1-Mi2-Hi	37-39-41-43
Pipe Size Gas mm (in)	15.88 (5/8)
Pipe Size Liquid mm (in)	9.52 (3/8)
Electrical Supply	Fed by Outdoor Unit
Phase	Single
Fuse Rating (BS88) - HRC (A)	6
Interconnecting Cable No. Cores	4
Remote Controller Ref	PAR-21MAA

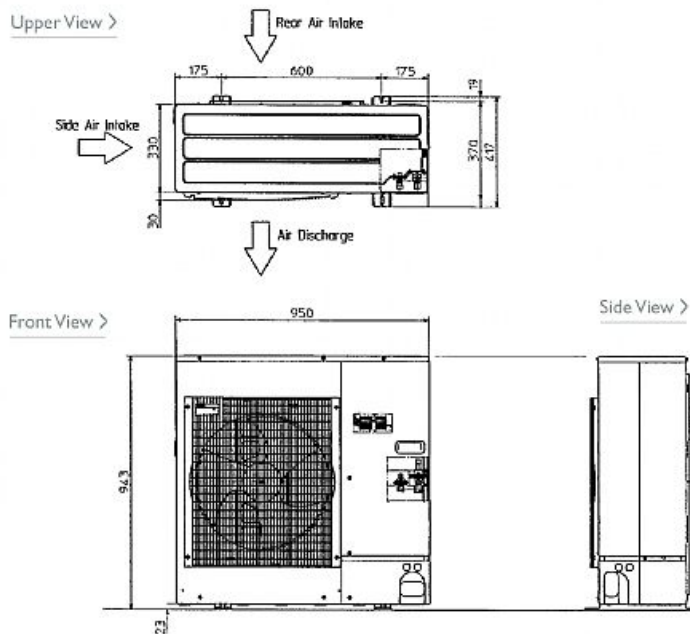
PUHZ-RP71VHA3 Outdoor Unit	
Width - mm	950
Depth - mm	330 + 30
Height - mm	943
Weight - kg	68
Noise (dBA) (Heating /Cooling)	48 /47
Electrical Supply	220-240v, 50Hz
Phase	Single
Fuse Rating (BS88) - HRC (A)	25
SystemPower Input (kW) - Heating (Nominal)	2.23
SystemPower Input (kW) - Cooling (Nominal)	2.14
SystemPower Input (kW) - Heating (UK)	1.98
SystemPower Input (kW) - Cooling (UK)	1.82
SystemRunning Current (A) - Heating / Cooling	10.27 / 8.57
Mains Cable No. Cores	3
Max Pipe Length (m)	50
Max Height Difference (m)	30
Charge (kg) - 30m	3.5

Dimensions

PCA-RP71GA



PUHZ-RP71VHA3



Telephone: 01707 282880

Email: air.conditioning@meuk.mee.com Website: <http://www.mitsubishielectric.co.uk/aircon>

Tel:
Fax:



Mitsubishi Electric reserves the right to make any variation in technical specification to the equipment described, or to withdraw or replace products without prior notification or public announcement.