



# PCA-RP125HAQ

Power Inverter Heat Pump

R410A Stainless Steel Ceiling Suspended System

The PCA-RP-HAQ series is a ceiling suspended unit ideal for use in kitchen environments. The external casing is made of durable stainless steel that is resistant to oil and smoke, ensuring that the unit can be easily cleaned at all times.

Advanced inverter technology makes the Mr Slim Power Inverter the number one choice for improving comfort. They provide energy savings of up to 70% annually when compared to a previous non-inverter model. Operating noise has also been reduced thanks to improvements in fan design, while existing pipe work is reusable for easier maintenance and installation.

- **High performance oil mist filter**
- **Easy maintenance - fan casing can be separated into different sections allowing easy cleaning. The drain pan can also be cleaned easily on-site as the pipe connector can be quickly removed**
- **Optional decoration covers**



Pictures not to scale

## Product Details

### PCA-RP125HAQ Indoor Unit

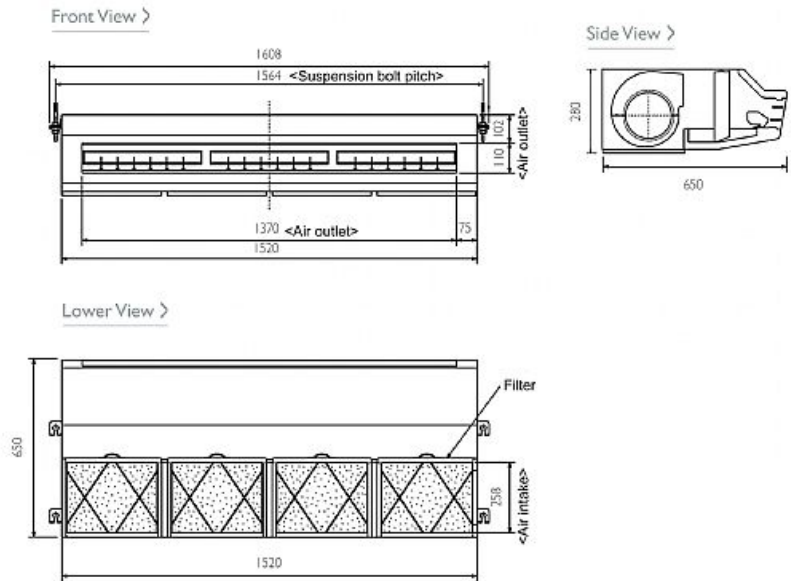
Capacity (kW):	
Heating (Nominal) (Low - High)	13.80 (5.00 - 16.00)
Cooling (Nominal) (Low - High)	12.50 (5.50 - 14.00)
Heating (UK) (Low - High)	11.75 (4.25 - 13.60)
Cooling (UK) (Low - High)	11.50 (5.05 - 12.90)
SHF R410A (Nominal)	0.77
COP / EER (Nominal)	3.41 / 3.22
Energy Label Heating / Cooling	B / A
Width - mm	1520
Depth - mm	650
Height - mm	280
Weight - kg	56
Airflow (m <sup>3</sup> /min) - Lo-Hi	30-38
Noise (dBA) - Lo-Hi	44-50
Pipe Size Gas mm (in)	15.88 (5/8)
Pipe Size Liquid mm (in)	9.52 (3/8)
Electrical Supply	Fed by Outdoor Unit
Phase	Single
Fuse Rating (BS88) - HRC (A)	6
Interconnecting Cable No. Cores	4

### PUHZ-RP125YKA Outdoor Unit

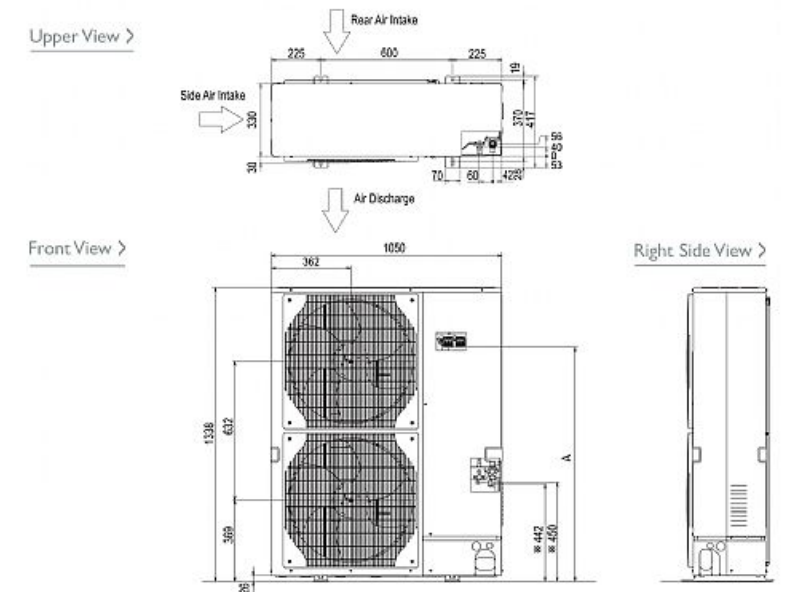
Width - mm	1050
Depth - mm	330+30
Height - mm	1338
Weight - kg	126
Noise (dBA) (Heating /Cooling) - Lo-Hi	52 /47-50
Electrical Supply	380-415v, 50Hz
Phase	3
Fuse Rating (BS88) - HRC (A)	16
SystemPower Input (kW) - Heating (Nominal)	4.05
SystemPower Input (kW) - Cooling (Nominal)	3.88
SystemPower Input (kW) - Heating (UK)	3.6
SystemPower Input (kW) - Cooling (UK)	3.3
Starting Current (A)	5
SystemRunning Current (A) - Heating / Cooling	7.14 / 6.87
Mains Cable No. Cores	5
Max Pipe Length (m)	75
Max Height Difference (m)	30
Charge (kg) - 30m	5

## Dimensions

### PCA-RP125HAQ



### PUHZ-RP125YKA



Telephone: 01707 282880

Email: [air.conditioning@meuk.mee.com](mailto:air.conditioning@meuk.mee.com) Website: <http://www.mitsubishielectric.co.uk/aircon>

Tel:  
Fax:



Mitsubishi Electric reserves the right to make any variation in technical specification to the equipment described, or to withdraw or replace products without prior notification or public announcement.