



PCA-RP125HAQ

Standard Inverter Heat Pump

R410A Stainless Steel Ceiling Suspended System

The new Standard Inverter range provides inverter solutions for customers who want all the benefits that inverters offer, but do not have the budget available for the more expensive Power Inverter range.

- **High performance oil mist filter**
- **Easy maintenance - fan casing can be separated into different sections allowing easy cleaning. The drain pan can also be cleaned easily on-site as the pipe connector can be quickly removed**
- **Optional decoration covers**



Pictures not to scale

Product Details

PCA-RP125HAQ Indoor Unit

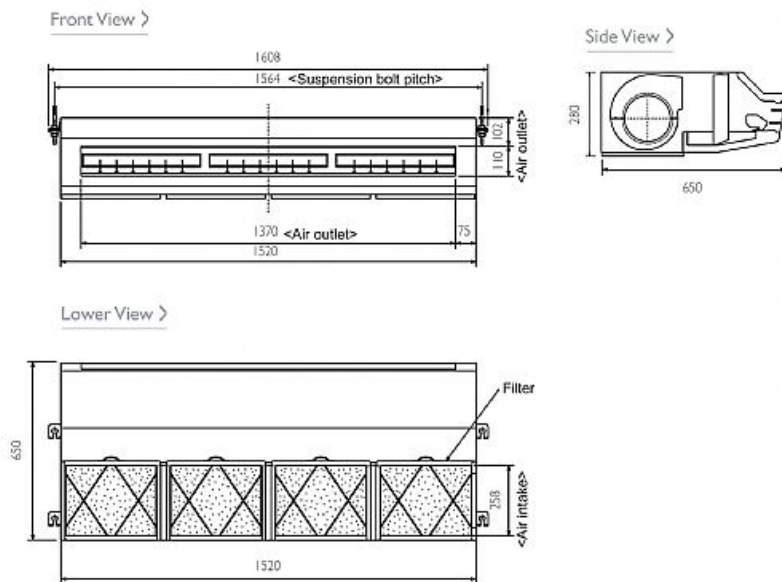
Capacity (kW):	
Heating (Nominal) (Low - High)	13.80 (5.00 - 16.00)
Cooling (Nominal) (Low - High)	12.30 (5.50 - 14.00)
Heating (UK) (Low - High)	11.75 (4.25 - 13.60)
Cooling (UK) (Low - High)	11.30 (5.05 - 12.90)
SHF R410A (Nominal)	0.78
COP / EER (Nominal)	3.21 / 2.81
Energy Label Heating / Cooling	C / C
Width - mm	1520
Depth - mm	650
Height - mm	280
Weight - kg	56
Airflow (m ³ /min) - Lo-Hi	30-38
Noise (dBA) - Lo-Hi	44-50
Pipe Size Gas mm (in)	15.88 (5/8)
Pipe Size Liquid mm (in)	9.52 (3/8)
Electrical Supply	Fed by Outdoor Unit
Phase	Single
Fuse Rating (BS88) - HRC (A)	6
Interconnecting Cable No. Cores	4

PUHZ-P125VHA3 Outdoor Unit

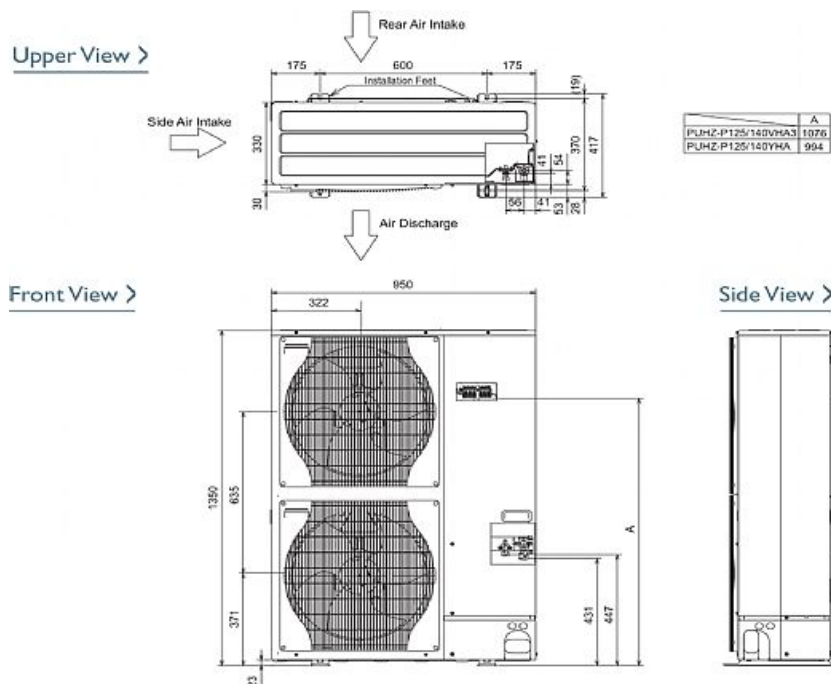
Width - mm	950
Depth - mm	330+30
Height - mm	1350
Weight - kg	99
Noise (dBA) (Heating /Cooling) - Lo-Hi	55 /48-51
Electrical Supply	220-240v, 50Hz
Phase	Single
Fuse Rating (BS88) - HRC (A)	32
SystemPower Input (kW) - Heating (Nominal)	4.3
SystemPower Input (kW) - Cooling (Nominal)	4.38
SystemPower Input (kW) - Heating (UK)	3.83
SystemPower Input (kW) - Cooling (UK)	3.72
Starting Current (A)	11
SystemRunning Current (A) - Heating / Cooling	19.11 / 19.47
Mains Cable No. Cores	3
Max Pipe Length (m)	50
Max Height Difference (m)	30
Charge (kg) - 30m	4.5

Dimensions

PCA-RP125HAQ



PUHZ-P125VHA3



	A
PUHZ-P125/140VHA3	1076
PUHZ-P125/140VHA	994



Telephone: 01707 282880

Email: air.conditioning@meuk.mee.com Website: <http://www.mitsubishielectric.co.uk/aircon>

Mitsubishi Electric reserves the right to make any variation in technical specification to the equipment described, or to withdraw or replace products without prior notification or public announcement.

Tel:
Fax:

