



PCA-RP125HA

Heat Pump

R410A Stainless Steel Ceiling Suspended System

The PCA-RP-HA series is a ceiling suspended unit ideal for use in kitchen environments. The external casing is made of durable stainless steel that is resistant to oil and smoke, ensuring that the unit can be easily cleaned at all times.

- High performance oil mist filter
- Easy maintenance - fan casing can be separated into different sections allowing easy cleaning. The drain pan can also be cleaned easily on-site as the pipe connector can be quickly removed
- Optional decoration covers



Pictures not to scale

Product Details

PCA-RP125HA Indoor Unit

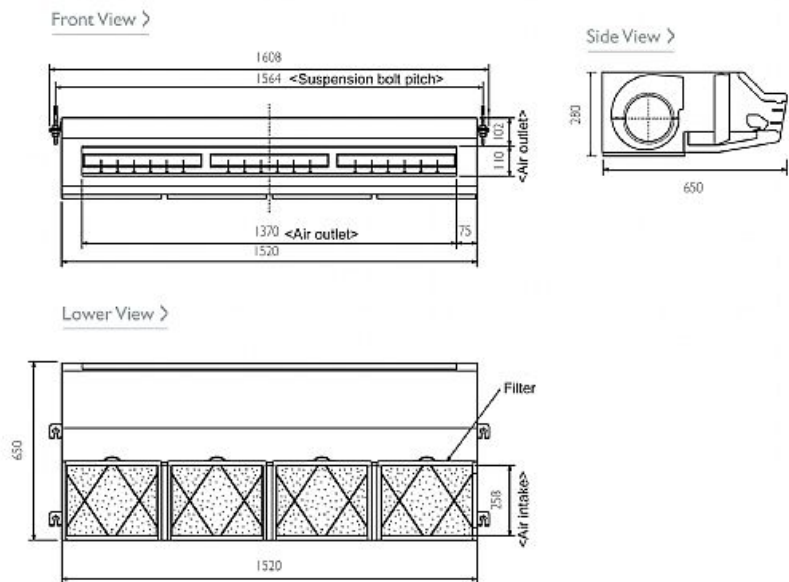
Capacity (kW):	
Heating (Nominal)	14.30
Cooling (Nominal)	12.30
Heating (UK)	12.20
Cooling (UK)	11.05
SHF R410A (Nominal)	0.77
Width - mm	1520
Depth - mm	650
Height - mm	280
Weight - kg	56
Airflow (m ³ /min) - Lo-Hi	30-38
Noise (dBA) - Lo-Hi	44-50
Pipe Size Gas mm (in)	15.88 (5/8)
Pipe Size Liquid mm (in)	9.52 (3/8)
Electrical Supply	Fed by Outdoor Unit
Phase	Single
Fuse Rating (BS88) - HRC (A)	6
Interconnecting Cable No. Cores	4
Remote Controller Ref	PAR-21MAA

PUH-P125YHA Outdoor Unit

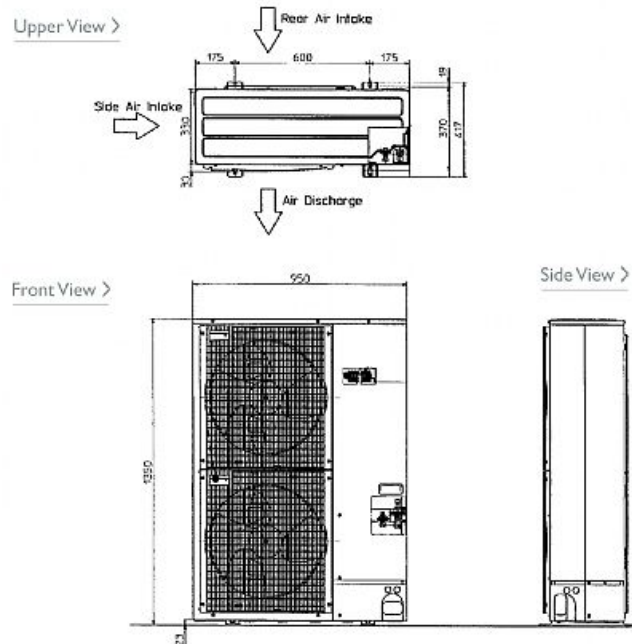
Width - mm	950
Depth - mm	330 + 30
Height - mm	1350
Weight - kg	131
Noise (dBA) (Heating /Cooling)	52 /50
Electrical Supply	380-415v, 50Hz
Phase	3
Fuse Rating (BS88) - HRC (A)	20
SystemPower Input (kW) - Heating (Nominal)	5.01
SystemPower Input (kW) - Cooling (Nominal)	4.55
SystemPower Input (kW) - Heating (UK)	4.46
SystemPower Input (kW) - Cooling (UK)	3.87
Starting Current (A)	70
SystemRunning Current (A) - Heating / Cooling	7.76 / 7.98
Mains Cable No. Cores	5
Max Pipe Length (m)	50
Max Height Difference (m)	50
Charge (kg) - 30m	5

Dimensions

PCA-RP125HA



PUH-P125YHA



Telephone: 01707 282880

Email: air.conditioning@meuk.mee.com Website: <http://www.mitsubishielectric.co.uk/aircon>

Tel:
Fax:



Mitsubishi Electric reserves the right to make any variation in technical specification to the equipment described, or to withdraw or replace products without prior notification or public announcement.