

Revision A:

- Part number of the expansion valve for MXZ-3F54VF- [E1], [ET1], MXZ-3F68VF- [E1], [ET1] and MXZ-4F72VF- [E1], [ET1] have been changed.

OBB790 is void.

OUTDOOR UNIT

No. OBB790
REVISED EDITION-A

PARTS CATALOG

Models

MXZ-2F33VF - [E1], [ET1]

MXZ-2F42VF - [E1], [ET1]

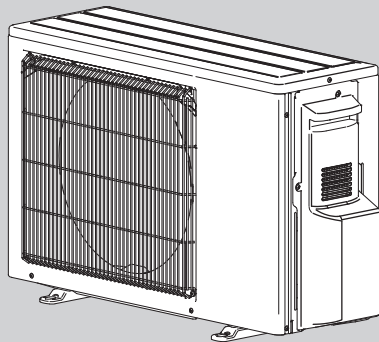
MXZ-2F53VF - [E1], [ET1]

MXZ-2F53VFH - [E1]

MXZ-3F54VF - [E1], [ET1]

MXZ-3F68VF - [E1], [ET1]

MXZ-4F72VF - [E1], [ET1]



MXZ-2F33VF
MXZ-2F42VF
MXZ-2F53VF MXZ-2F53VFH

CONTENTS

1. RoHS PARTS LIST.....2
2. OPTIONAL PARTS..... 14

SERVICE MANUAL (OBH790)

NOTE:

RoHS compliant products have <G> mark on the spec name plate.

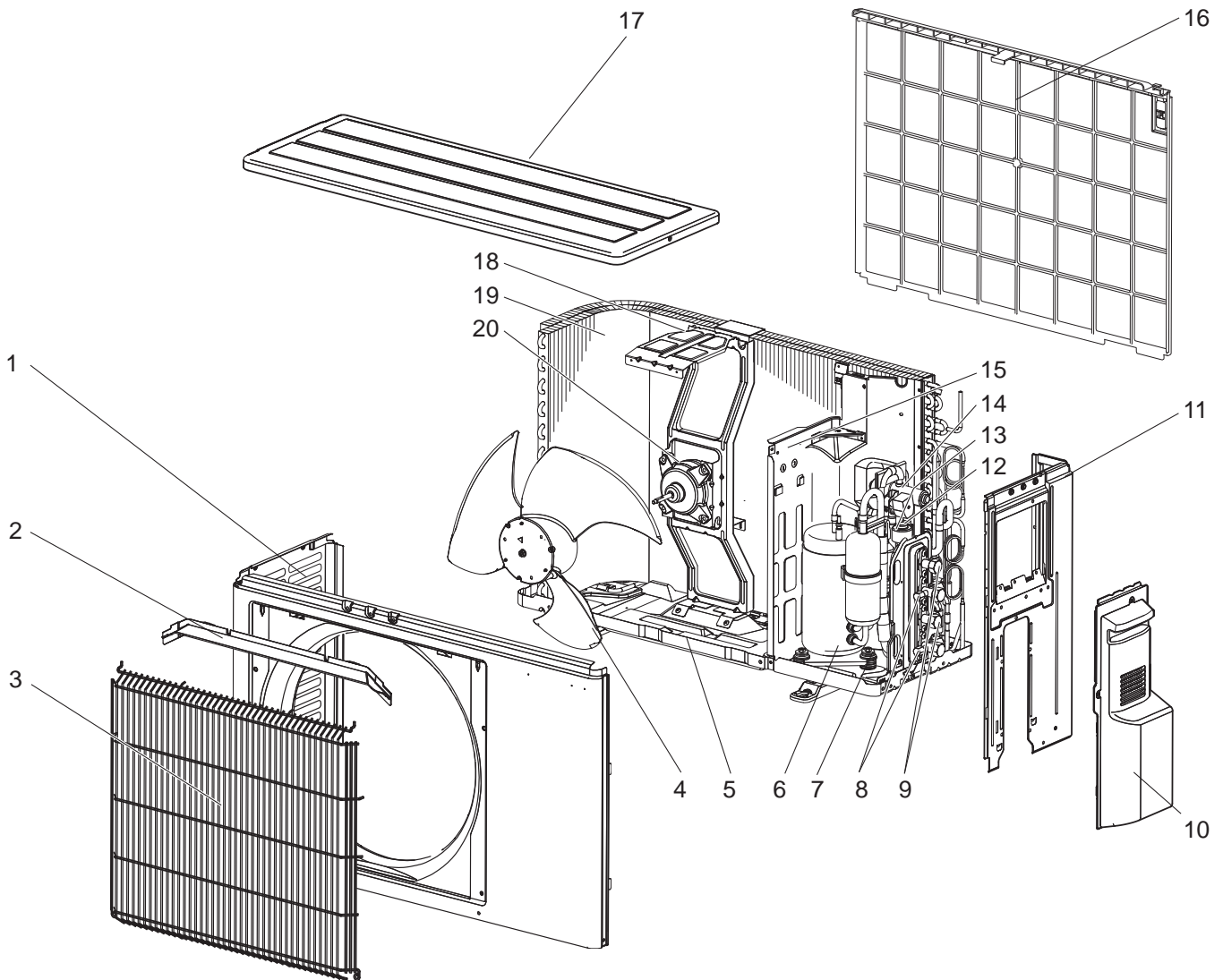
Revision A:

• Part number of the expansion valve for MXZ-3F54VF- [E1], [ET1], MXZ-3F68VF- [E1], [ET1] and MXZ-4F72VF- [E1], [ET1] have been changed.

1 RoHS PARTS LIST

MXZ-2F33VF MXZ-2F42VF MXZ-2F53VF

1-1. OUTDOOR UNIT STRUCTURAL PARTS AND FUNCTIONAL PARTS



RoHS PARTS LIST (RoHS compliant)

MXZ-2F33VF MXZ-2F42VF MXZ-2F53VF

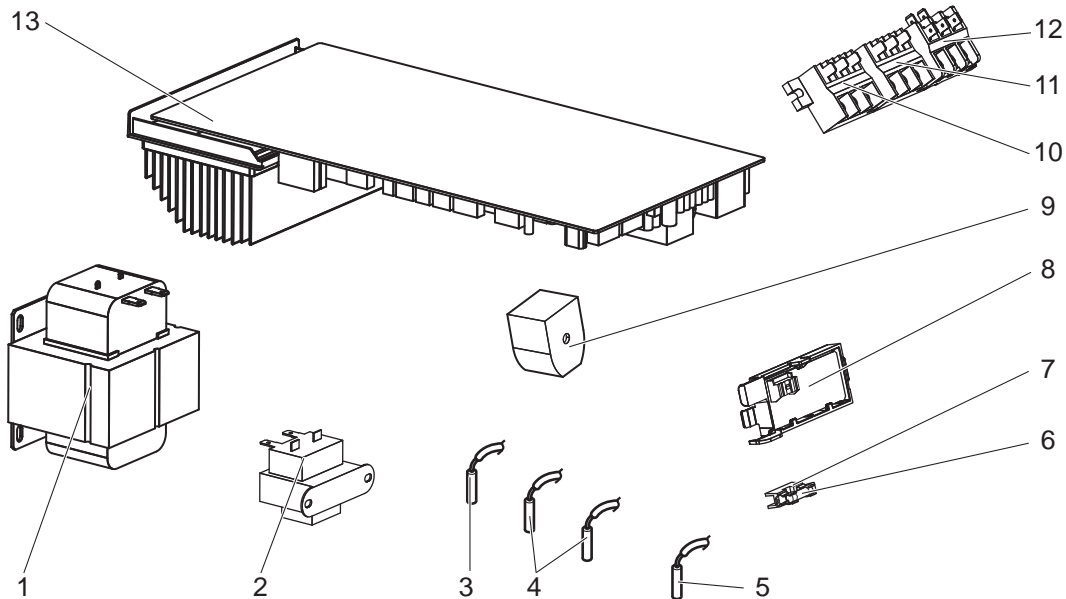
1-1. OUTDOOR UNIT STRUCTURAL PARTS AND FUNCTIONAL PARTS

Part numbers that are circled are not shown in the illustration.

No.	RoHS	Part No.	Part Name	Symbol In Wiring Diagram	Q'ty/unit						Remarks
					MXZ-						
					2F33VF-		2F42VF-		2F53VF-		
E1	ET1	E1	ET1	E1	ET1						
1	G	E12 J63 232	CABINET		1	1	1	1	1	1	
2	G	E12 J63 531	ICE GUARD		1	1	1	1	1	1	
3	G	E12 J63 521	GRILLE		1	1	1	1	1	1	
4	G	E12 927 501	PROPELLER FAN		1	1	1	1	1	1	
5	G	E12 J63 290	BASE		1	1	1	1	1	1	
6	G	E12 R81 900	COMPRESSOR	MC	1	1					KVB073FYXMC
	G	E12 R83 900					1	1	1	1	
7	G	E12 065 506	COMPRESSOR RUBBER SET		3	3					3 RUBBERS/SET
	G	E12 C34 506					3	3	3	3	
8	G	E12 T95 661	STOP VALVE (GAS) 3/8		2	2	2	2	2	2	Ø9.52
9	G	E12 T95 662	STOP VALVE (LIQUID) 1/4		2	2	2	2	2	2	Ø6.35
10	G	E12 J63 245	SERVICE PANEL		1	1	1	1	1	1	
11	G	E12 J63 233	BACK PANEL		1	1	1	1	1	1	
12	G	E17 F03 640	EXPANSION VALVE		1	1	1	1	1	1	ROOM B
13	G	E12 90C 493	EXPANSION VALVE COIL	LEV B	1	1	1	1	1	1	
14	G	E12 927 961	4-WAY VALVE		1	1					
	G	E12 A47 961					1	1	1	1	
15	G	E12 G10 293	SEPARATOR		1	1					
	G	E12 G11 293					1	1	1	1	
16	G	E12 G04 523	CONDENSER NET		1	1					
	G	E12 G06 523					1	1	1	1	
17	G	E12 J63 297	TOP PANEL		1	1	1	1	1	1	
18	G	E12 W60 515	MOTOR SUPPORT		1	1					
	G	E12 R50 515					1	1	1	1	
19	G	E12 G04 630	OUTDOOR HEAT EXCHANGER		1	1					
	G	E12 G06 630					1	1	1	1	
20	G	E12 G11 301	OUTDOOR FAN MOTOR	MF	1	1	1	1	1	1	RC0J50-□□
⑳	G	E12 339 936	CAPILLARY TUBE				4	4	4	4	Ø3.0 × Ø1.4 × 600
	G	E12 838 936	CAPILLARY TUBE		2	2	2	2	2	2	Ø3.0 × Ø2.0 × 200
㉑	G	E17 F03 640	EXPANSION VALVE		1	1	1	1	1	1	ROOM A
㉒	G	E12 89C 493	EXPANSION VALVE COIL	LEV A	1	1	1	1	1	1	

RoHS PARTS LIST (RoHS compliant)

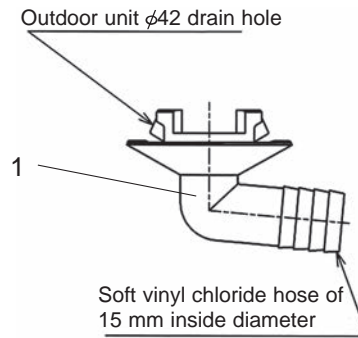
MXZ-2F33VF MXZ-2F42VF MXZ-2F53VF 1-2. OUTDOOR UNIT ELECTRICAL PARTS



No.	RoHS	Part No.	Part Name	Symbol In Wiring Diagram	Q'ty/unit						Remarks
					MXZ-						
					2F33VF-		2F42VF-		2F53VF-		
E1	ET1	E1	ET1	E1	ET1						
1	G	E12 G11 337	REACTOR	ACL	1	1	1	1	1	1	10A 23μH
2	G	E12 J63 337	REACTOR	ACL2	1	1	1	1	1	1	2A 25μH
3	G	E12 W50 307	OUTDOOR HEAT EXCHANGER TEMPERATURE THERMISTOR	RT68	1	1	1	1	1	1	
4	G	E12 78A 308	THERMISTOR SET	RT61,62	1	1	1	1	1	1	DEFROST, DISCHARGE
5	G	E12 W50 309	AMBIENT TEMPERATURE THERMISTOR	RT65	1	1	1	1	1	1	
6	G	E12 784 382	FUSE	F1	1	1	1	1	1	1	T3.15AL250V
7	G	E17 001 241	FUSE HOLDER		1	1	1	1	1	1	
8	G	E12 J63 329	OUTDOOR DISPLAY P.C. BOARD		1	1	1	1	1	1	
9	G	E12 A47 490	R.V. COIL	21S4	1	1	1	1	1	1	
10	G	E12 935 374	TERMINAL BLOCK	TB2	1	1	1	1	1	1	Indoor unit connecting
11	G	E12 935 374	TERMINAL BLOCK	TB3	1	1	1	1	1	1	Power supply
12	G	E12 F29 374	TERMINAL BLOCK	TB1	1	1	1	1	1	1	Power supply
13	G	E12 89C 451	INVERTER P.C. BOARD		1	1					Including heat sink and RT64
	G	E12 90C 451					1	1			
	G	E12 91C 451							1	1	

RoHS PARTS LIST (RoHS compliant)

MXZ-2F33VF MXZ-2F42VF MXZ-2F53VF
1-3. DRAIN SOCKET

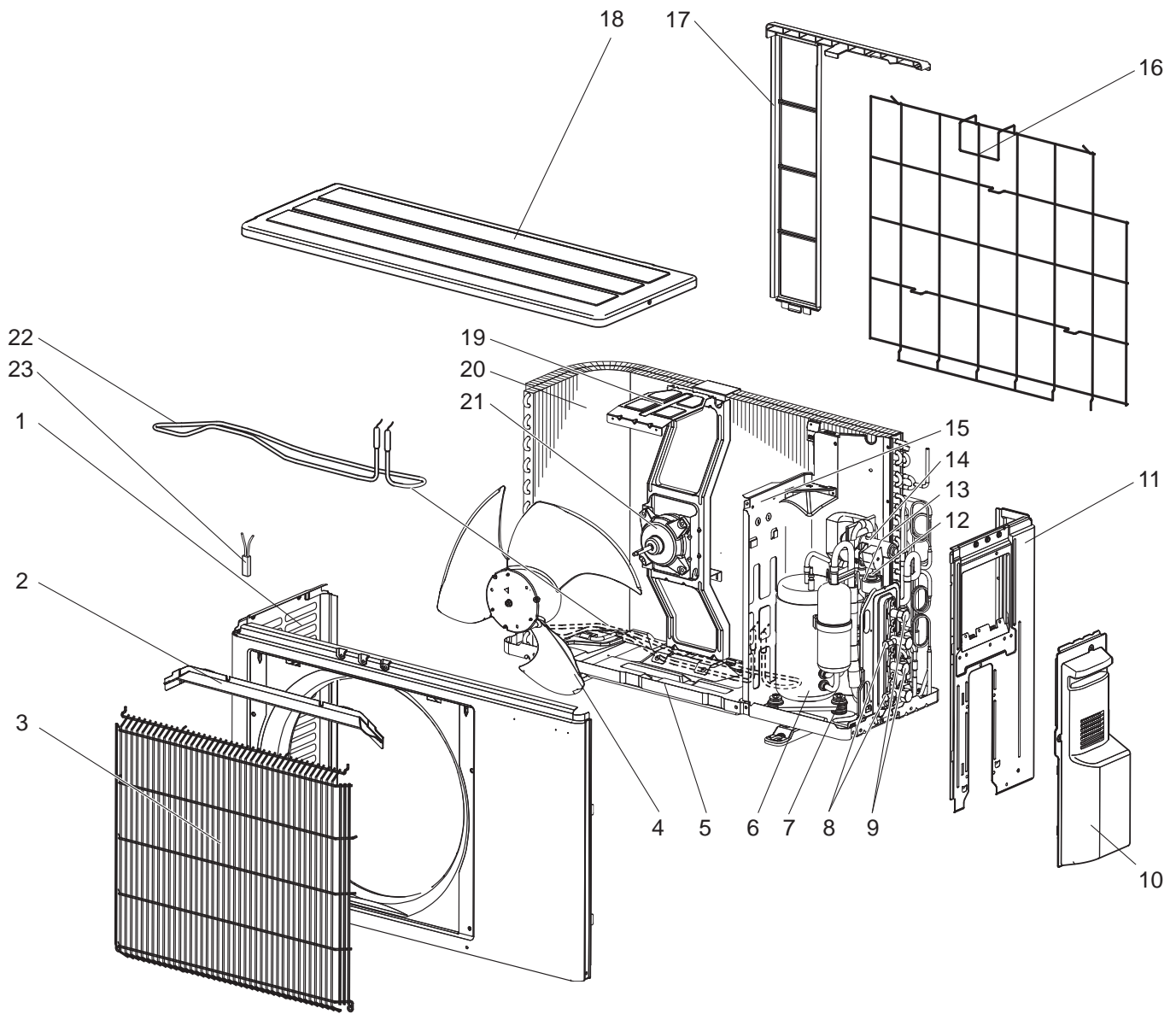


No.	RoHS	Part No.	Part Name	Symbol In Wiring Diagram	Q'ty/unit						Remarks
					MXZ-						
					2F33VF-		2F42VF-		2F53VF-		
					E1	ET1	E1	ET1	E1	ET1	
1	G	E12 838 704	DRAIN SOCKET		1	1	1	1	1	1	

RoHS PARTS LIST (RoHS compliant)

MXZ-2F53VFH

1-4. OUTDOOR UNIT STRUCTURAL PARTS AND FUNCTIONAL PARTS



RoHS PARTS LIST (RoHS compliant)

MXZ-2F53VFH

1-4. OUTDOOR UNIT STRUCTURAL PARTS AND FUNCTIONAL PARTS

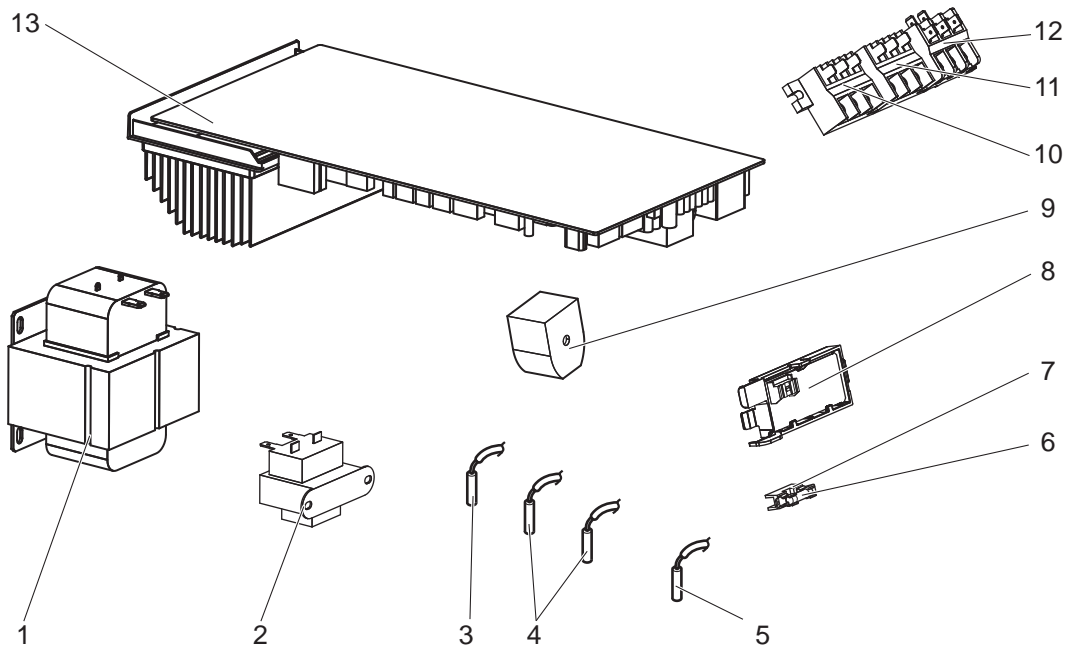
Part numbers that are circled are not shown in the illustration.

No.	RoHS	Part No.	Part Name	Symbol In Wiring Diagram	Q'ty/unit	Remarks
					MXZ-2F53VFH- E1	
1	G	E12 J63 232	CABINET		1	
2	G	E12 J63 531	ICE GUARD		1	
3	G	E12 J63 521	GRILLE		1	
4	G	E12 927 501	PROPELLER FAN		1	
5	G	E12 J66 290	BASE		1	
6	G	E12 R83 900	COMPRESSOR	MC	1	SVB130FBBMT
7	G	E12 C34 506	COMPRESSOR RUBBER SET		3	3 RUBBERS/SET
8	G	E12 T95 661	STOP VALVE (GAS) 3/8		2	Ø9.52
9	G	E12 T95 662	STOP VALVE (LIQUID) 1/4		2	Ø6.35
10	G	E12 J63 245	SERVICE PANEL		1	
11	G	E12 J63 233	BACK PANEL		1	
12	G	E17 F03 640	EXPANSION VALVE		1	ROOM B
13	G	E12 90C 493	EXPANSION VALVE COIL	LEV B	1	
14	G	E12 A47 961	4-WAY VALVE		1	
15	G	E12 G14 293	SEPARATOR		1	
16	G	E12 930 525	CONDENSER WIRE NET		1	
17	G	E12 930 523	CONDENSER NET		1	
18	G	E12 J63 297	TOP PANEL		1	
19	G	E12 R50 515	MOTOR SUPPORT		1	
20	G	E12 G06 630	OUTDOOR HEAT EXCHANGER		1	
21	G	E12 G11 301	OUTDOOR FAN MOTOR	MF	1	RC0J50-□□
22	G	E12 C36 526	DEFROST HEATER	H	1	
23	G	E12 C36 381	HEATER PROTECTOR	26H	1	
⑳	G	E12 339 936	CAPILLARY TUBE		4	Ø3.0 × Ø1.4 × 600
	G	E12 838 936	CAPILLARY TUBE		2	Ø3.0 × Ø2.0 × 200
㉑	G	E17 F03 640	EXPANSION VALVE		1	ROOM A
㉒	G	E12 89C 493	EXPANSION VALVE COIL	LEV A	1	

RoHS PARTS LIST (RoHS compliant)

MXZ-2F53VFH

1-5. OUTDOOR UNIT ELECTRICAL PARTS



RoHS PARTS LIST (RoHS compliant)

MXZ-2F53VFH

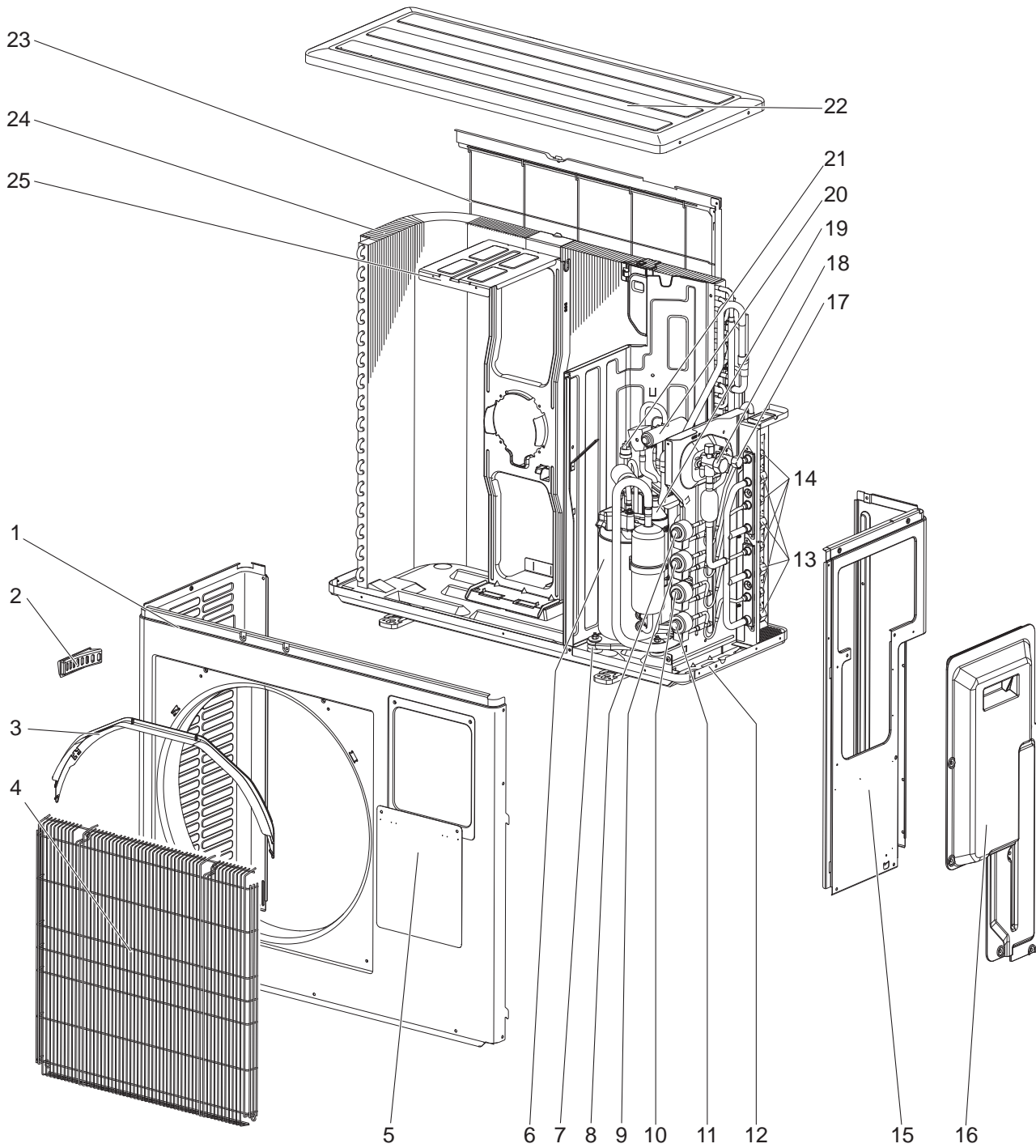
1-5. OUTDOOR UNIT ELECTRICAL PARTS

No.	RoHS	Part No.	Part Name	Symbol In Wiring Diagram	Q'ty/unit	Remarks
					MXZ-2F53VFH- [E1]	
1	G	E12 G11 337	REACTOR	ACL	1	10A 23μH
2	G	E12 J63 337	REACTOR	ACL2	1	2A 25μH
3	G	E12 W50 307	OUTDOOR HEAT EXCHANGER TEMPERATURE THERMISTOR	RT68	1	
4	G	E12 78A 308	THERMISTOR SET	RT61,62	1	DEFROST, DISCHARGE
5	G	E12 W50 309	AMBIENT TEMPERATURE THERMISTOR	RT65	1	
6	G	E12 784 382	FUSE	F1	1	T3.15AL250V
7	G	E17 001 241	FUSE HOLDER		1	
8	G	E12 J63 329	OUTDOOR DISPLAY P.C. BOARD		1	
9	G	E12 A47 490	R.V. COIL	21S4	1	
10	G	E12 935 374	TERMINAL BLOCK	TB2	1	Indoor unit connecting
11	G	E12 935 374	TERMINAL BLOCK	TB3	1	
12	G	E12 F29 374	TERMINAL BLOCK	TB1	1	Power supply
13	G	E12 02D 451	INVERTER P.C. BOARD		1	Including heat sink and RT64

RoHS PARTS LIST (RoHS compliant)

MXZ-3F54VF MXZ-3F68VF MXZ-4F72VF

1-6. OUTDOOR UNIT STRUCTURAL PARTS AND FUNCTIONAL PARTS



RoHS PARTS LIST (RoHS compliant)

MXZ-3F54VF MXZ-3F68VF MXZ-4F72VF

1-6. OUTDOOR UNIT STRUCTURAL PARTS AND FUNCTIONAL PARTS

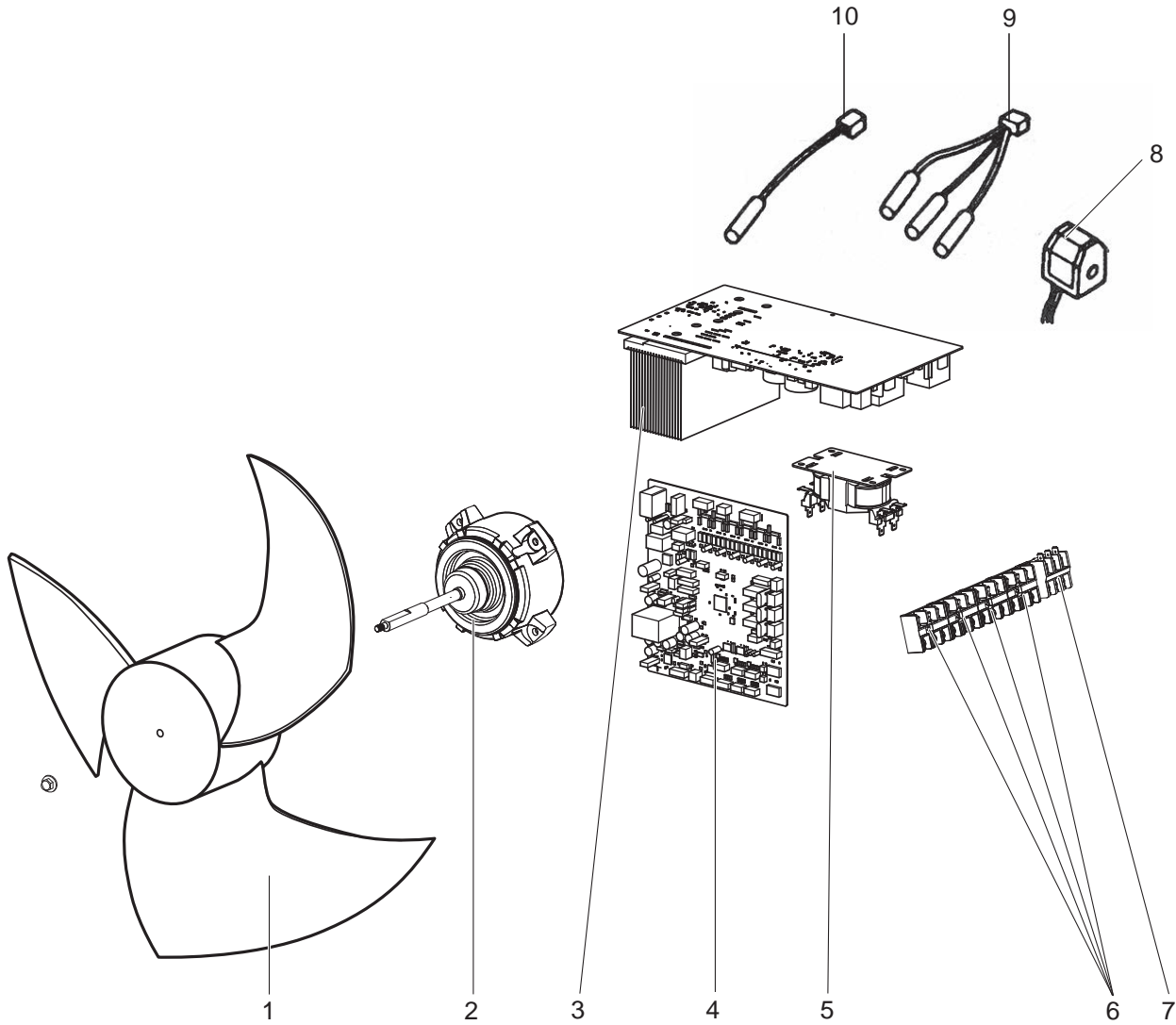
Part numbers that are circled are not shown in the illustration.

No.	RoHS	Part No.	Part Name	Symbol in Wiring Diagram	Q'ty/unit						Remarks
					MXZ-						
					3F54VF -		3F68VF -		4F72VF -		
E1	ET1	E1	ET1	E1	ET1						
1	G	E12 T07 232	CABINET		1	1	1	1	1	1	
2	G	E12 817 009	HANDLE		1	1	1	1	1	1	
3	G	E12 J69 531	ICE GUARD		1	1	1	1	1	1	
4	G	E12 R24 521	GRILLE		1	1	1	1	1	1	
5	G	E12 T07 246	SUB PANEL		1	1	1	1	1	1	
6	G	E12 92C 900	COMPRESSOR	MC	1	1					SVB130FBBM1T
	G	E12 93C 900	COMPRESSOR	MC			1	1	1	1	SVB172FCKM1T
7	G	E12 C34 506	COMPRESSOR RUBBER SET		3	3	3	3	3	3	3 RUBBERS/SET
8	G	E17 F03 640	EXPANSION VALVE						1	1	D room
	G	E12 98C 493	LEV COIL	LEV D					1	1	D room
9	G	E17 F03 640	EXPANSION VALVE		1	1	1	1	1	1	C room
	G	E12 94C 493	LEV COIL	LEV C	1	1	1	1	1	1	C room
10	G	E17 F03 640	EXPANSION VALVE		1	1	1	1	1	1	B room
	G	E12 93C 493	LEV COIL	LEV B	1	1	1	1	1	1	B room
11	G	E17 F03 640	EXPANSION VALVE		1	1	1	1	1	1	A room
	G	E12 92C 493	LEV COIL	LEV A	1	1	1	1	1	1	A room
12	G	E12 T07 290	BASE		1	1	1	1	1	1	
13	G	E12 D36 666	UNION (GAS)		3	3	3	3	3	3	Ø9.52
	G	E12 D37 666	UNION (GAS)						1	1	Ø12.7
14	G	E12 D36 667	UNION (LIQUID)		3	3	3	3	4	4	Ø6.35
15	G	E12 R51 233	BACK PANEL		1	1	1	1			
	G	E12 R52 233	BACK PANEL						1	1	
16	G	E12 R51 245	SERVICE PANEL		1	1	1	1	1	1	
17	G	E12 D36 662	STOP VALVE (LIQUID) 3/8		1	1	1	1	1	1	Ø9.52
18	G	E12 D36 661	STOP VALVE (GAS) 5/8		1	1	1	1	1	1	Ø15.88
19	G	E12 J69 299	OIL SEPARATOR		1	1	1	1	1	1	
20	G	E12 C18 961	4-WAY VALVE		1	1	1	1	1	1	
21	G	E17 942 646	HIGH PRESSURE SWITCH	HPS	1	1	1	1	1	1	
22	G	E12 819 297	TOP PANEL		1	1	1	1	1	1	
23	G	E12 J69 523	REAR GUARD		1	1	1	1	1	1	
24	G	E12 T07 630	OUTDOOR HEAT EXCHANGER		1	1	1	1	1	1	
25	G	E12 J69 515	MOTOR SUPPORT		1	1	1	1	1	1	
⑳	G	E12 938 937	CAPILLARY TUBE		8	8	8	8	8	8	Ø3.6 × Ø2.4 × 500
㉑	G	E12 939 936	CAPILLARY TUBE		3	3	3	3	4	4	Ø4.0 × Ø2.8 × 100
㉒	G	E12 938 936	CAPILLARY TUBE		1	1	1	1	1	1	Ø2.5 × Ø0.6 × 1000
㉓	G	E12 92C 959	POWER RECEIVER		1	1	1	1	1	1	
㉔	G	E12 853 640	EXPANSION VALVE		1	1	1	1	1	1	
	G	E12 T07 493	LEV COIL	LEV R	1	1	1	1	1	1	R

RoHS PARTS LIST (RoHS compliant)

MXZ-3F54VF MXZ-3F68VF MXZ-4F72VF

1-7. OUTDOOR UNIT FUNCTIONAL PARTS AND ELECTRICAL PARTS



1-8. ACCESSORY



RoHS PARTS LIST (RoHS compliant)

MXZ-3F54VF MXZ-3F68VF MXZ-4F72VF

1-7. OUTDOOR UNIT FUNCTIONAL PARTS AND ELECTRICAL PARTS

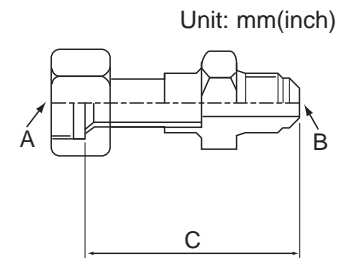
No.	RoHS	Part No.	Part Name	Symbol in Wiring Diagram	Q'ty/unit						Remarks
					MXZ-						
					3F54VF -		3F68VF -		4F72VF -		
E1	ET1	E1	ET1	E1	ET1						
1	G	E12 851 501	PROPELLER FAN		1	1	1	1	1	1	
2	G	E12 16B 301	OUTDOOR FAN MOTOR	MF	1	1	1	1	1	1	SIC-82FX-F764-1
3	G	E12 92C 440	OUTDOOR POWER P.C. BOARD		1	1					Including heat sink and RT64
	G	E12 93C 440	OUTDOOR POWER P.C. BOARD				1	1	1	1	
4	G	E12 92C 450	OUTDOOR CONTROL P.C. BOARD		1	1					
	G	E12 93C 450	OUTDOOR CONTROL P.C. BOARD				1	1			
	G	E12 94C 450	OUTDOOR CONTROL P.C. BOARD						1	1	
5	G	E12 R51 337	REACTOR	L	1	1	1	1	1	1	20A 600μH
6	G	E12 C92 375	TERMINAL BLOCK	TB2~5	3	3	3	3	4	4	Indoor unit connecting
7	G	E12 G07 374	TERMINAL BLOCK	TB1	1	1	1	1	1	1	Power supply
8	G	E12 T07 490	R.V. COIL	21S4	1	1	1	1	1	1	
9	G	E12 T07 308	THERMISTOR SET	RT61,62,68	1	1	1	1	1	1	DEFROST, DISCHARGE, OUTDOOR HEAT EXCHANGER
10	G	E12 T07 309	AMBIENT TEMPERATURE THERMISTOR	RT65	1	1	1	1	1	1	

1-8. ACCESSORY

No.	RoHS	Part No.	Part Name	Symbol in Wiring Diagram	Q'ty/unit						Remarks
					MXZ-						
					3F54VF -		3F68VF -		4F72VF -		
E1	ET1	E1	ET1	E1	ET1						
11	G	E12 817 704	DRAIN SOCKET		1	1	1	1	1	1	
12	G	E12 444 705	DRAIN CAP		2	2	2	2	2	2	2PCS/SET

2-1. DIFFERENT-DIAMETER PIPE

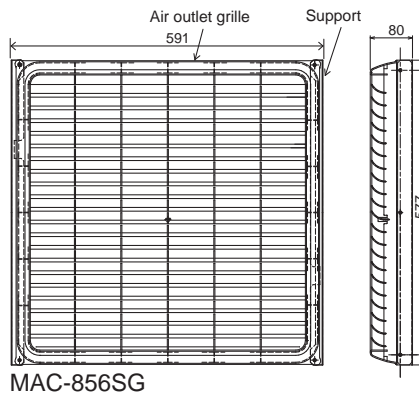
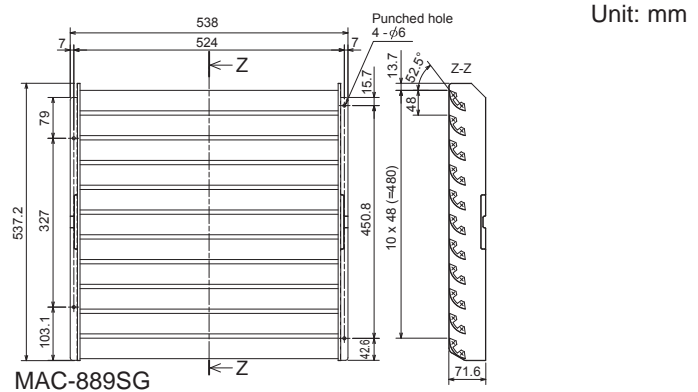
Applied unit	For different diameter pipes	Connected pipes diameter	Diameter A	Diameter B	Length C
MXZ-2F53VF MXZ-2F53VFH MXZ-3F54VF MXZ-3F68VF MXZ-4F72VF	MAC-A454JP-E	φ9.52 — φ12.7 (3/8) (1/2)	φ9.52 (3/8)	φ12.7 (1/2)	69
MXZ-4F72VF	MAC-A455JP-E	φ12.7 — φ9.52 (1/2) (3/8)	φ12.7 (1/2)	φ9.52 (3/8)	65
MXZ-4F72VF	MAC-A456JP-E	φ12.7 — φ15.88 (1/2) (5/8)	φ12.7 (1/2)	φ15.88 (5/8)	66.5
MXZ-3F68VF MXZ-4F72VF	PAC-493PI	φ6.35 — φ9.52 (1/4) (3/8)	φ6.35 (1/4)	φ9.52 (3/8)	60.5
MXZ-3F68VF MXZ-4F72VF	PAC-SG76RJ-E	φ9.52 — φ15.88 (3/8) (5/8)	φ9.52 (3/8)	φ15.88 (5/8)	101.5



2-2. OUTLET GUIDE

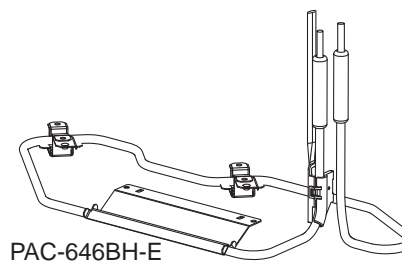
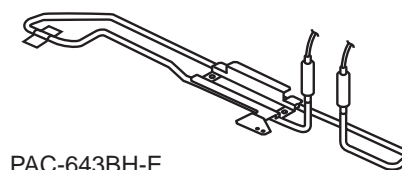
Changes air discharge direction.

Applied unit	Model name	Model code
MXZ-2F33VF MXZ-2F42VF MXZ-2F53VF MXZ-2F53VFH	MAC-889SG	506-889
MXZ-3F54VF MXZ-3F68VF MXZ-4F72VF	MAC-856SG	51H-856



2-3. BASE HEATER

Applied unit	Model name	Model code
MXZ-2F33VF MXZ-2F42VF MXZ-2F53VF	MAC-643BH-E	450912
MXZ-3F54VF MXZ-3F68VF MXZ-4F72VF	PAC-646BH-E	75C61J



MITSUBISHI ELECTRIC CORPORATION

HEAD OFFICE: TOKYO BUILDING, 2-7-3, MARUNOUCHI, CHIYODA-KU, TOKYO 100-8310, JAPAN

© Copyright 2018 MITSUBISHI ELECTRIC CORPORATION

Issued: Apr. 2018. No. OBB790 REVISED EDITION-A

Published: Mar. 2018. No. OBB790

Made in Japan

Specifications are subject to change without notice.