

Air Conditioning

Product Information

**MXZ-4D72VA Inverter Heat Pump
Multi-Split Unit**

Making a
World of
Difference

Multi-Splits

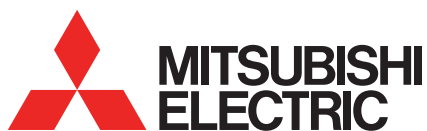


The Multi-Split system allows up to four M Series or Mr Slim wall mounted, cassette, ducted, floor or ceiling mounted indoor unit heat pumps of different capacities to be operated from a single outdoor unit.

This makes it an economic answer in multi-room applications, whilst also offering space saving benefits.

Key Features

- Up to four indoor units may be connected to a single outdoor unit
- Energy saving inverter controlled outdoor unit adjusts compressor performance to economically match the demand for heating and cooling
- Units may be added within the capacity of the system as requirements change
- Capacities of indoor units may be mixed to suit individual rooms



Air Conditioning | Heating
Ventilation | Controls

Air Conditioning

Product Information

MXZ-4D72VA Inverter Heat Pump Multi-Split Unit

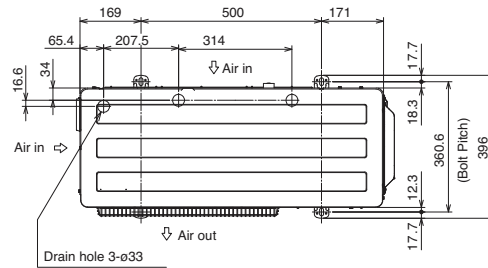
Making a World of Difference

MULTI-SPLIT - INDOOR UNITS	MXZ-4D72VA
WALL MOUNTED	MSZ-SF20VE / MSZ-SF25/35/50VE2 / MSZ-GF60VE MSZ-FH25/35VE / MSZ-EF25/35/50VE2B/S/W
FLOOR MOUNTED	MFZ-KJ25/35/50VE
DUCTED	SEZ-KD25/35/50VAQ ³ PEAD-RP50JAQ ¹
CEILING CASSETTE	SLZ-KA25/35/50VAQ PLA-RP50/60BA
CEILING DUCTED	PCA-RP50/60KAQ

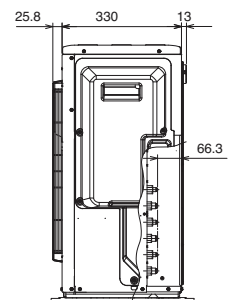
MXZ-D/C - OUTDOOR UNITS	MXZ-4D72VA	
NUMBER OF CONNECTABLE INDOOR UNITS	2 - 4	
CAPACITY (kW)	Heating (nominal)	8.6 (3.4-10.7)
	Cooling (nominal)	7.1 (3.7-8.8)
	Heating (UK)	7.1 (2.82-8.89)
	Cooling (UK)	7.0 (3.67-8.72)
COP / EER (nominal) ²	3.77 / 3.20	
SCOP / SEER (BSEN14825)	3.9 / 5.7	
ErP ENERGY EFFICIENCY CLASS	Heating/Cooling A+ / A+	
MAX AIRFLOW (m ³ /min)	Heating/Cooling 43.0 / 42.1	
SOUND PRESSURE LEVEL (dBA)	Heating/Cooling - Sil-Hi 53 / 50	
SOUND POWER LEVEL (dBA)	Cooling 64	
DIMENSIONS (mm)	Width x Depth x Height 840 x 330 x 710	
WEIGHT (kg)	58	
ELECTRICAL SUPPLY	220-240v, 50Hz	
PHASE	Single	
POWER INPUT (kW)	Heating/Cooling (nominal) 2.28 / 2.25	
	Heating/Cooling (UK) 2.07 / 1.80	
STARTING CURRENT (A)	10.0	
RUNNING CURRENT (A)	Heating/Cooling [MAX] 10.0 / 9.9 [18]	
INTERCONNECTING CABLE No. CORES	4 Core	
TOTAL PIPE LENGTH (m)	60	
MAX PIPE LENGTH PER INDOOR UNIT (m)	25	
MAX HEIGHT DIFFERENCE (m)	15 (10 if OU higher than IU)	
CHARGE R410A (kg) [Precharged Length]	2.70 [40m]	
FUSE RATING (BS88) - HRC (A)	25	

DIMENSIONS

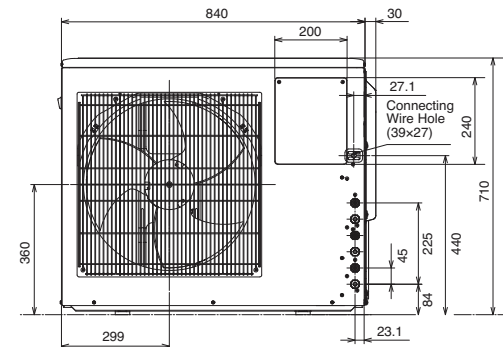
Upper View



Side View



Front View



MXZ-4D72VA has 4 pipe connections



Notes:

*1 Combined max running current of all indoors on system must not exceed 3A if PEAD-RP is used.

*2 System COP / EER when connected to MSZ-EF x indoor unit connections.

*3 The SEZ-KD25VAQ cannot be used when the total indoor capacity is equal to the outdoor capacity i.e. when the capacity ratio is 1.



Telephone: 01707 282880

email: air.conditioning@meuk.mee.com web: www.airconditioning.mitsubishielectric.co.uk

UNITED KINGDOM Mitsubishi Electric Europe Living Environmental Systems Division
Travellers Lane, Hatfield, Hertfordshire, AL10 8XB, England General Enquiries Telephone: 01707 282880 Fax: 01707 278881

IRELAND Mitsubishi Electric Europe Westgate Business Park, Ballymount, Dublin 24, Ireland
Telephone: Dublin (01) 419 8800 Fax: Dublin (01) 419 8890 International code: (003531)

Country of origin: United Kingdom - Japan - Thailand - Malaysia. ©Mitsubishi Electric Europe 2015. Mitsubishi and Mitsubishi Electric are trademarks of Mitsubishi Electric Europe B.V. The company reserves the right to make any variation in technical specification to the equipment described, or to withdraw or replace products without prior notification or public announcement. Mitsubishi Electric is constantly developing and improving its products. All descriptions, illustrations, drawings and specifications in this publication present only general particulars and shall not form part of any contract. All goods are supplied subject to the Company's General Conditions of Sale, a copy of which is available on request. Third-party product and brand names may be trademarks or registered trademarks of their respective owners.



Note: The fuse rating is for guidance only. Please refer to the relevant databook for detailed specification. It is the responsibility of a qualified electrician/electrical engineer to select the correct cable size and fuse rating based on current regulation and site specific conditions. Mitsubishi Electric's air conditioning and heat pump systems contain fluorinated greenhouse gases R410A, R407C and R134a.



www.greengateway.mitsubishielectric.co.uk

Mitsubishi Electric UK's commitment to the environment



Follow us @meuk_Jes
Follow us @green_gateway



Mitsubishi Electric
Living Environmental Systems UK



mitsubishielectric2

Effective as of April 2015