



# MXZ-6C120VA

Inverter Heat Pump

R410A Multi-Split Unit

This Multi-Split System allows up to 6 Mr Slim or M Series indoor units to be operated from a single outdoor unit. This makes it an economic answer in multi-room applications, whilst also offering space saving benefits.

- **Up to 6 indoor units of mixed capacities may be connected to a single outdoor unit**
- **Single outdoor unit for minimal noise and space impact**
- **Units may be added within the capacity of the system as requirements change**
- **Energy saving inverter controlled performance**
- **Current Limit Adjustment feature**



Pictures not to scale



## Product Details

MXZ-6C120VA	
Capacity (kW):	
Heating (Nominal) (Low - High)	14.0 (3.5 - 16.5)
Cooling (Nominal) (Low - High)	12.0 (3.5 - 13.5)
Heating (UK) (Low - High)	11.65 (2.9 - 13.7)
Cooling (UK) (Low - High)	11.9 (3.45 - 13.4)
COP / EER (Nominal)	3.88 / 3.21
Energy Label Heating / Cooling	A / A
Width - mm	900
Depth - mm	320
Height - mm	1070
Weight - kg	88
Airflow (m3/min) (Heating /Cooling)	59.5 /69.9
Noise (dBA) (Heating /Cooling) - Lo-Hi	53-57 /51-55
Electrical Supply	220-240v, 50Hz
Fuse Rating (BS88) - HRC (A)	40
Interconnecting Cable No. Cores	4
Power Input (kW) - Heating (Nominal)	3.47
Power Input (kW) - Cooling (Nominal)	3.61
Power Input (kW) - Heating (UK)	3.16
Power Input (kW) - Cooling (UK)	2.89
Starting Current (A)	15.85
Running Current (A) - Heating / Cooling	15.24 / 15.85
Charge R410A (kg) - 60m	5

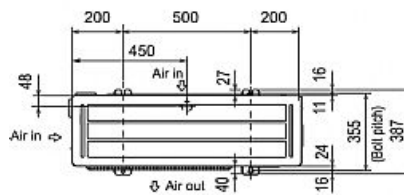
### Piping Restrictions

Total Pipe Length (m)	80
Max Pipe Length per Indoor Unit (m)	25
Indoor to Outdoor Height (m)	15

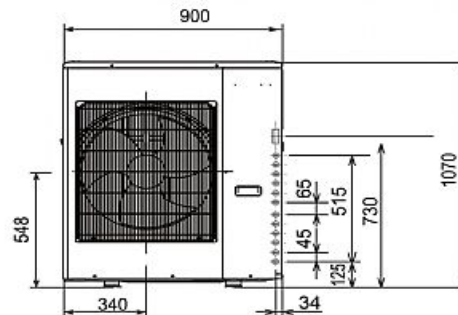
## Dimensions

MXZ-6C120VA

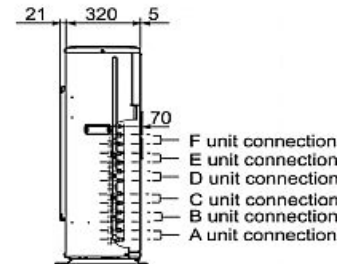
### Upper View >



### Front View >



### Side View >



Telephone: 01707 282880

Email: [air.conditioning@meuk.mee.com](mailto:air.conditioning@meuk.mee.com) Website: <http://www.mitsubishielectric.co.uk/aircon>

Mitsubishi Electric reserves the right to make any variation in technical specification to the equipment described, or to withdraw or replace products without prior notification or public announcement.

Tel:  
Fax:

