



MXZ-4C71VA

Inverter Heat Pump

R410A Multi-Split Unit

This Multi-Split System allows up to 4 Mr Slim or M Series indoor units to be operated from a single outdoor unit. This makes it an economic answer in multi-room applications, whilst also offering space saving benefits.

- **Up to 4 indoor units of mixed capacities may be connected to a single outdoor unit**
- **Single outdoor unit for minimal noise and space impact**
- **Units may be added within the capacity of the system as requirements change**
- **Energy saving inverter controlled performance**



Pictures not to scale



Product Details

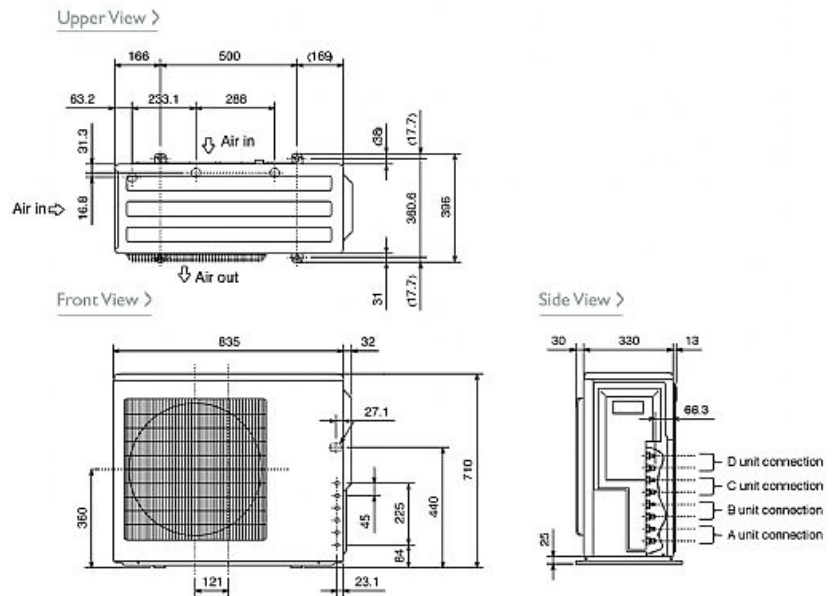
MXZ-4C71VA	
Capacity (kW):	
Heating (Nominal) (Low - High)	8.60 (3.40 - 10.70)
Cooling (Nominal) (Low - High)	7.10 (3.70 - 8.80)
Heating (UK) (Low - High)	7.15 (2.85 - 8.90)
Cooling (UK) (Low - High)	7.05 (3.65 - 8.75)
COP / EER (Nominal)	4.78 / 4.54
Energy Label Heating / Cooling	A / A
Width - mm	840
Depth - mm	330
Height - mm	710
Weight - kg	58
Airflow (m3/min) (Heating /Cooling)	43 /42.1
Noise (dBA) (Heating /Cooling) - Lo-Hi	48-52 /45-48
Electrical Supply	220-240v, 50Hz
Fuse Rating (BS88) - HRC (A)	25
Interconnecting Cable No. Cores	4
Power Input (kW) - Heating (Nominal)	1.705
Power Input (kW) - Cooling (Nominal)	1.68
Power Input (kW) - Heating (UK)	1.55
Power Input (kW) - Cooling (UK)	1.34
Starting Current (A)	7.49
Running Current (A) - Heating / Cooling	7.49 / 7.38
Charge R410A (kg) - 40m	2.7

Piping Restrictions

Total Pipe Length (m)	60
Max Pipe Length per Indoor Unit (m)	25
Indoor to Outdoor Height (m)	15

Dimensions

MXZ-4C71VA



Telephone: 01707 282880

Email: air.conditioning@meuk.mee.com Website: <http://www.mitsubishielectric.co.uk/aircon>

Mitsubishi Electric reserves the right to make any variation in technical specification to the equipment described, or to withdraw or replace products without prior notification or public announcement.

Tel:
Fax:

