



MXZ-3C54VA

Inverter Heat Pump

R410A Multi-Split Unit

This Multi-Split System allows up to 3 Mr Slim or M Series indoor units to be operated from a single outdoor unit. This makes it an economic answer in multi-room applications, whilst also offering space saving benefits.

- **Up to 3 indoor units of mixed capacities may be connected to a single outdoor unit**
- **Single outdoor unit for minimal noise and space impact**
- **Units may be added within the capacity of the system as requirements change**
- **Energy saving inverter controlled performance**



Pictures not to scale



Product Details

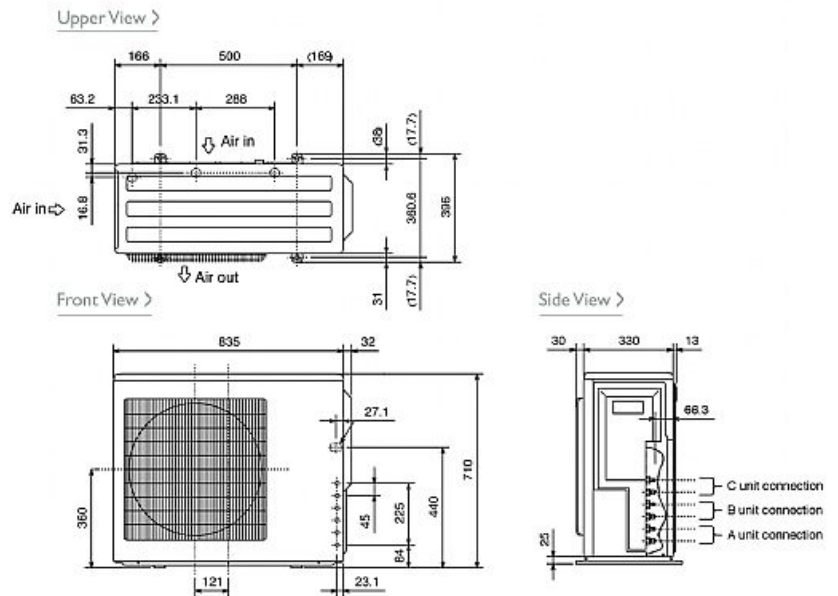
| MXZ-3C54VA | |
|---|-------------------|
| Capacity (kW): | |
| Heating (Nominal) (Low - High) | 7.0 (2.6 - 9.0) |
| Cooling (Nominal) (Low - High) | 5.4 (2.9 - 6.8) |
| Heating (UK) (Low - High) | 5.8 (2.15 - 7.5) |
| Cooling (UK) (Low - High) | 5.35 (2.9 - 6.75) |
| COP / EER (Nominal) | 5.04 / 4.23 |
| Energy Label Heating / Cooling | A / A |
| Width - mm | 840 |
| Depth - mm | 330 |
| Height - mm | 710 |
| Weight - kg | 57 |
| Airflow (m3/min) (Heating /Cooling) | 43 /42.1 |
| Noise (dBA) (Heating /Cooling) - Lo-Hi | 48-51 /45-47 |
| Electrical Supply | 220-240v, 50Hz |
| Fuse Rating (BS88) - HRC (A) | 25 |
| Interconnecting Cable No. Cores | 4 |
| Power Input (kW) - Heating (Nominal) | 1.465 |
| Power Input (kW) - Cooling (Nominal) | 1.19 |
| Power Input (kW) - Heating (UK) | 1.33 |
| Power Input (kW) - Cooling (UK) | 0.95 |
| Starting Current (A) | 6.43 |
| Running Current (A) - Heating / Cooling | 6.43 / 5.23 |
| Charge R410A (kg) - 40m | 2.7 |

Piping Restrictions

| | |
|-------------------------------------|----|
| Total Pipe Length (m) | 50 |
| Max Pipe Length per Indoor Unit (m) | 25 |
| Indoor to Outdoor Height (m) | 15 |

Dimensions

MXZ-3C54VA



Telephone: 01707 282880

Email: air.conditioning@meuk.mee.com Website: <http://www.mitsubishielectric.co.uk/aircon>

Mitsubishi Electric reserves the right to make any variation in technical specification to the equipment described, or to withdraw or replace products without prior notification or public announcement.

Tel:
Fax:

