

MXZ-A-WV Inverter Heat Pump

R410A Multi-Split Units

New Series

The multi-split system allows up to four wall mounted, ducted, floor or ceiling mounted indoor unit heat-pumps of different capacities to be operated from a single outdoor unit. This makes it an economic answer in multi-room applications, whilst also offering space saving benefits.

- > Up to four indoor units may be connected to a single outdoor unit
- > Energy saving inverter controlled outdoor unit adjusts compressor performance to economically match the demand for heating and cooling
- > Units may be added within the capacity of the system as requirements change
- > Single outdoor unit for minimal noise and space impact
- > Capacities of indoor units may be mixed to suit individual rooms



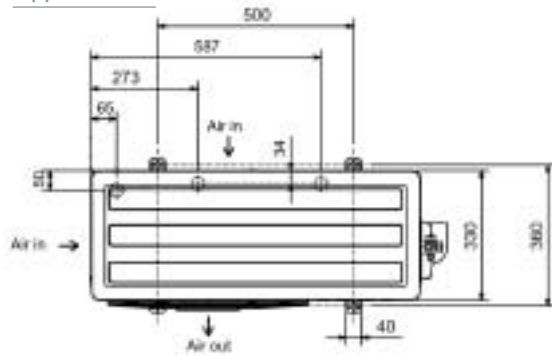
Technical Information >>

MULTI-SPLIT - INDOOR UNITS					
MODEL REFERENCE					
WALL MOUNTED	MSZ-A09YV	MSZ-A12YV	MSZ-A18YV	MSZ-A24YV	MSZ-A26YV
	MSC-A07YV	MSC-A09YV	MSC-A12YV		
CEILING/FLOOR MOUNTED	MCFZ-A12WV	MCFZ-A18WV	MCFZ-A24WV		
CEILING CONCEALED DUCTED	SEZ-A12AR	SEZ-A18AR	SEZ-A24AR		
CEILING CASSETTE	SLZ-A09AR	SLZ-A12AR	SLZ-A18AR		

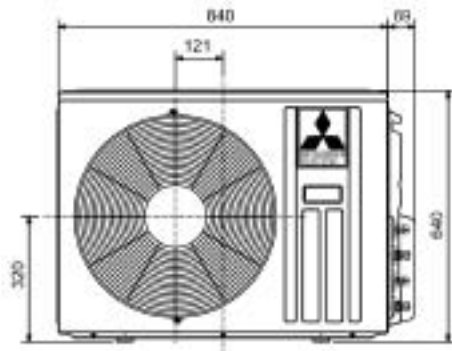
MXZ-A-WV - OUTDOOR UNITS					
MODEL REFERENCE		MXZ-A18WV	MXZ-A26WV	MXZ-A32WV	
CAPACITY (kW)	Heating (nominal)	6.6 (1.58-7.2)	9.0 (2.6-11.0)	9.4 (3.4-11.6)	
	Cooling (nominal)	5.4 (1.55-6.0)	7.2 (2.9-8.5)	8.0 (3.7-9.2)	
	Heating (UK)	5.5 (1.3-6.0)	7.5 (2.15-9.15)	7.8 (2.85-9.65)	
	Cooling (UK)	5.35 (1.5-5.95)	7.15 (2.85-8.45)	7.95 (3.65-9.15)	
COP / EER (nominal)		3.73 / 2.90	4.19 / 3.44	4.87 / 3.65	
ENERGY LABEL	Heating/Cooling	A / C	A / A	A / A	
AIRFLOW (m3/min)	Heating/Cooling	41 / 41	43.8 / 42.2	43.8 / 42.2	
NOISE (dBA)	Heating/Cooling - Lo-Hi	45-50 / 44-49	46-48 / 44-46	46-48 / 44-46	
DIMENSIONS (mm)	Width	840 (+69)	900	900	
	Depth	330	320 (+35)	320 (+35)	
	Height	640	900	900	
WEIGHT (kg)		52	69	70	
ELECTRICAL SUPPLY		220-240v, 50Hz	220-240v, 50Hz	220-240v, 50Hz	
POWER INPUT (kW)	Heating/Cooling (nominal)	1.77 / 1.86	2.15 / 2.09	1.93 / 2.19	
	Heating/Cooling (UK)	1.611 / 1.488	1.957 / 1.672	1.756 / 1.752	
STARTING CURRENT (A)		8.98	9.44	9.62	
RUNNING CURRENT (A)		8.98	9.44	9.62	
INTERCONNECTING CABLE No. CORES		2 Core 12v	2 Core 12v	2 Core 12v	
TOTAL PIPE LENGTH (m)		30	50	70	
MAX PIPE LENGTH PER INDOOR UNIT (m)		20	25	25	
MAX HEIGHT DIFFERENCE (m)		10	10	10	
CHARGE R410A (kg) - 20m		1.75	3.5	3.5	
FUSE RATING (BS88) – HRC (A)		20	25	25	

OUTDOOR UNIT MXZ-A18WV

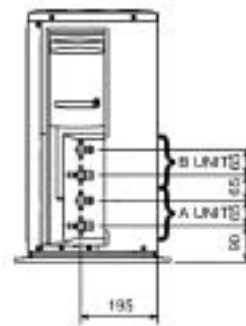
Upper View >



Front View >

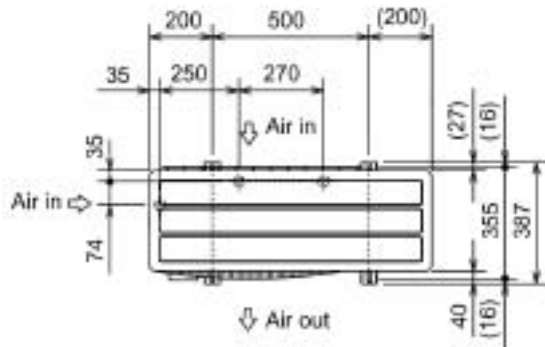


Side View >

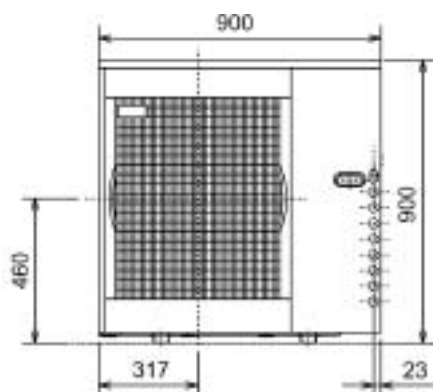


OUTDOOR UNIT MXZ-A26WV and MXZ-A32WV

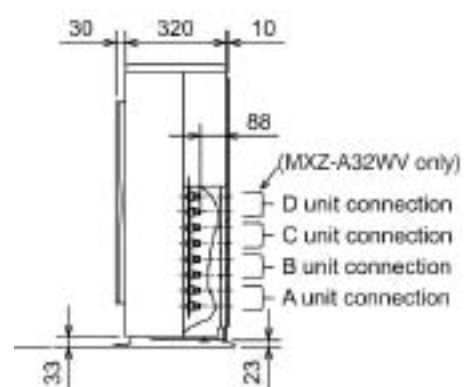
Upper View >



Front View >



Side View >



Inverter Multi-Split System Combinations

MXZ-A18WW

1 Outdoor Unit ▶ 2 Indoor Units

Indoor unit combination	Cooling / Heating Capacity (kW)		
	Unit A	Unit B	Unit C
1 ROOM			
07	2.30 / 3.30		
09	2.50 / 3.60		
12	3.40 / 4.00		
2 ROOMS			
07 + 07	2.30 / 3.05	2.30 / 3.05	
07 + 09	2.30 / 2.97	2.50 / 3.23	
07 + 12	2.02 / 2.62	2.98 / 3.88	
09 + 09	2.50 / 3.25	2.50 / 3.25	
09 + 12	2.20 / 2.78	3.10 / 3.77	
12 + 12	2.65 / 3.30	2.65 / 3.30	

MXZ-A26WW

1 Outdoor Unit ▶ Up to 3 Indoor Units

1 ROOM			
07	2.30 / 3.30		
09	2.50 / 3.60		
12	3.40 / 4.00		
18	5.00 / 7.20		
24	6.00 / 7.90		
26	7.10 / 8.60		
2 ROOMS			
07 + 07	2.30 / 3.30	2.30 / 3.30	
07 + 09	2.10 / 3.02	2.70 / 3.88	
07 + 12	2.10 / 2.69	3.60 / 4.61	
07 + 18	2.01 / 2.49	5.18 / 6.41	
07 + 24	1.62 / 2.03	5.57 / 6.97	
07 + 26	1.52 / 1.91	5.67 / 7.09	
09 + 09	2.50 / 3.60	2.50 / 3.60	
09 + 12	2.52 / 3.26	3.37 / 4.34	
09 + 18	2.40 / 3.00	4.80 / 6.00	
09 + 24	1.96 / 2.45	5.23 / 6.55	
09 + 26	1.85 / 2.31	5.34 / 6.69	
12 + 12	3.40 / 4.00	3.40 / 4.00	
12 + 18	2.88 / 3.60	4.32 / 5.40	
12 + 24	2.40 / 3.00	4.80 / 6.00	
12 + 26	2.27 / 2.84	4.92 / 6.16	

Indoor unit combination	Cooling / Heating Capacity (kW)		
	Unit A	Unit B	Unit C
18 + 18	3.60 / 4.50	3.60 / 4.50	
18 + 24	3.08 / 3.86	4.11 / 5.14	
18 + 26	2.94 / 3.68	4.25 / 5.32	
3 ROOMS			
07 + 07 + 07	2.30 / 2.90	2.30 / 2.90	2.30 / 2.90
07 + 07 + 09	2.16 / 2.67	2.16 / 2.67	2.77 / 3.44
07 + 07 + 12	1.93 / 2.42	1.93 / 2.42	3.32 / 4.15
07 + 07 + 18	1.58 / 1.96	1.58 / 1.96	4.05 / 5.06
07 + 07 + 24	1.32 / 1.65	1.32 / 1.65	4.55 / 5.68
07 + 07 + 26	1.26 / 1.57	1.26 / 1.57	4.68 / 5.85
07 + 09 + 09	2.01 / 2.52	2.59 / 3.24	2.59 / 3.24
07 + 09 + 12	1.80 / 2.25	2.31 / 2.89	3.09 / 3.85
07 + 09 + 18	1.48 / 1.85	1.90 / 2.38	3.81 / 4.76
07 + 09 + 24	1.26 / 1.57	1.62 / 2.02	4.32 / 5.40
07 + 09 + 26	1.20 / 1.50	1.54 / 1.92	4.45 / 5.57
07 + 12 + 12	1.62 / 2.03	2.79 / 3.48	2.79 / 3.48
07 + 12 + 18	1.36 / 1.70	2.33 / 2.91	3.50 / 4.37
07 + 12 + 24	1.17 / 1.46	2.00 / 2.51	4.01 / 5.02
07 + 12 + 26	1.12 / 1.40	1.92 / 2.40	4.16 / 5.20
07 + 18 + 18	1.17 / 1.46	3.01 / 3.76	3.01 / 3.76
07 + 18 + 24	1.02 / 1.28	2.64 / 3.30	3.52 / 4.40
07 + 18 + 26	0.98 / 1.23	2.54 / 3.17	3.67 / 4.58
09 + 09 + 09	2.36 / 3.00	2.36 / 3.00	2.36 / 3.00
09 + 09 + 12	2.16 / 2.70	2.16 / 2.70	2.89 / 3.60
09 + 09 + 18	1.80 / 2.25	1.80 / 2.25	3.60 / 4.50
09 + 09 + 24	1.54 / 1.92	1.54 / 1.92	4.11 / 5.14
09 + 09 + 26	1.47 / 1.84	1.47 / 1.84	4.25 / 5.31
09 + 12 + 12	1.97 / 2.45	2.61 / 3.27	2.61 / 3.27
09 + 12 + 18	1.66 / 2.07	2.21 / 2.76	3.32 / 4.15
09 + 12 + 24	1.44 / 1.80	1.92 / 2.40	3.84 / 4.80
09 + 12 + 26	1.37 / 1.72	1.83 / 2.29	3.98 / 4.97
09 + 18 + 18	1.44 / 1.80	2.88 / 3.60	2.88 / 3.60
09 + 18 + 24	1.27 / 1.58	2.54 / 3.17	3.38 / 4.23
12 + 12 + 12	2.40 / 3.00	2.40 / 3.00	2.40 / 3.00
12 + 12 + 18	2.05 / 2.57	2.05 / 2.57	3.08 / 3.85
12 + 12 + 24	1.80 / 2.25	1.80 / 2.25	3.60 / 4.50
12 + 12 + 26	1.72 / 2.16	1.72 / 2.16	3.74 / 4.68
12 + 18 + 18	1.80 / 2.25	2.70 / 3.37	2.70 / 3.37
12 + 18 + 24	1.60 / 2.00	2.40 / 3.00	3.20 / 4.00

Indoor unit combination	Cooling / Heating Capacity (kW)		
	Unit A	Unit B	Unit C
1 ROOM			
07	2.30 / 3.30		
09	2.50 / 3.60		
12	3.40 / 4.00		
18	5.00 / 7.20		
24	6.00 / 7.90		
26	7.10 / 8.60		
2 ROOMS			
07 + 07	2.30 / 3.30	2.30 / 3.30	
07 + 09	2.10 / 3.02	2.70 / 3.88	
07 + 12	2.10 / 2.69	3.60 / 4.61	
07 + 18	2.04 / 2.49	5.25 / 6.41	
07 + 24	1.75 / 2.12	6.00 / 7.28	
07 + 26	1.66 / 1.99	6.19 / 7.41	
09 + 09	2.50 / 3.60	2.50 / 3.60	
09 + 12	2.52 / 3.26	3.37 / 4.34	
09 + 18	2.50 / 3.00	5.00 / 6.00	
09 + 24	2.11 / 2.56	5.64 / 6.84	
09 + 26	2.01 / 2.42	5.84 / 6.98	
12 + 12	3.40 / 4.00	3.40 / 4.00	
12 + 18	3.10 / 3.76	4.65 / 5.64	
12 + 24	2.61 / 3.13	5.24 / 6.27	
12 + 26	2.51 / 2.97	5.44 / 6.43	
18 + 18	3.95 / 4.70	3.95 / 4.70	
18 + 24	3.42 / 4.03	4.57 / 5.37	
18 + 26	3.27 / 3.85	4.72 / 5.55	
24 + 24	4.00 / 4.70	4.00 / 4.70	
24 + 26	3.84 / 4.51	4.16 / 4.89	
3 ROOMS			
07 + 07 + 07	2.30 / 2.90	2.30 / 2.90	2.30 / 2.90
07 + 07 + 09	2.16 / 2.67	2.16 / 2.67	2.77 / 3.44
07 + 07 + 12	2.07 / 2.53	2.07 / 2.53	3.55 / 4.33
07 + 07 + 18	1.72 / 2.05	1.72 / 2.05	4.41 / 5.28
07 + 07 + 24	1.46 / 1.73	1.46 / 1.73	5.03 / 5.93
07 + 07 + 26	1.40 / 1.64	1.40 / 1.64	5.20 / 6.11
07 + 09 + 09	2.04 / 2.49	2.62 / 3.20	2.62 / 3.20
07 + 09 + 12	1.93 / 2.35	2.49 / 3.02	3.33 / 4.02
07 + 09 + 18	1.62 / 1.93	2.09 / 2.48	4.18 / 4.97
07 + 09 + 24	1.40 / 1.64	1.80 / 2.11	4.80 / 5.64
07 + 09 + 26	1.33 / 1.56	1.71 / 2.01	4.95 / 5.81
07 + 12 + 12	1.77 / 2.12	3.04 / 3.63	3.04 / 3.63
07 + 12 + 18	1.49 / 1.77	2.56 / 3.04	3.84 / 4.57
07 + 12 + 24	1.30 / 1.53	2.23 / 2.62	4.46 / 5.24
07 + 12 + 26	1.24 / 1.46	2.13 / 2.50	4.62 / 5.43
07 + 18 + 18	1.30 / 1.53	3.34 / 3.93	3.34 / 3.93
07 + 18 + 24	1.14 / 1.34	2.93 / 3.45	3.91 / 4.60
07 + 18 + 26	1.09 / 1.29	2.82 / 3.31	4.07 / 4.79
09 + 09 + 09	2.36 / 3.00	2.36 / 3.00	2.36 / 3.00

Indoor unit combination	Cooling / Heating Capacity (kW)			
	Unit A	Unit B	Unit C	Unit D
09 + 09 + 12	2.32 / 2.82	2.32 / 2.82	3.11 / 3.76	
09 + 09 + 18	1.97 / 2.35	1.97 / 2.35	3.95 / 4.70	
09 + 09 + 24	1.71 / 2.01	1.71 / 2.01	4.57 / 5.37	
09 + 09 + 26	1.63 / 1.92	1.63 / 1.92	4.72 / 5.55	
09 + 12 + 12	2.15 / 2.56	2.85 / 3.41	2.85 / 3.41	
09 + 12 + 18	1.84 / 2.16	2.46 / 2.89	3.69 / 4.33	
09 + 12 + 24	1.60 / 1.88	2.13 / 2.50	4.26 / 5.01	
09 + 12 + 26	1.53 / 1.80	2.04 / 2.40	4.42 / 5.20	
09 + 18 + 18	1.60 / 1.88	3.20 / 3.76	3.20 / 3.76	
09 + 18 + 24	1.41 / 1.65	2.82 / 3.31	3.76 / 4.42	
12 + 12 + 12	2.65 / 3.13	2.65 / 3.13	2.65 / 3.13	
12 + 12 + 18	2.28 / 2.68	2.28 / 2.68	3.42 / 4.02	
12 + 12 + 24	2.00 / 2.35	2.00 / 2.35	4.00 / 4.70	
12 + 12 + 26	1.92 / 2.25	1.92 / 2.25	4.16 / 4.88	
12 + 18 + 18	2.00 / 2.35	3.00 / 3.52	3.00 / 3.52	
12 + 18 + 24	1.77 / 2.08	2.66 / 3.13	3.55 / 4.17	
4 ROOMS				
07 + 07 + 07 + 07	1.95 / 2.35	1.95 / 2.35	1.95 / 2.35	1.95 / 2.35
07 + 07 + 07 + 09	1.83 / 2.19	1.83 / 2.19	1.83 / 2.19	2.36 / 2.82
07 + 07 + 07 + 12	1.68 / 1.99	1.68 / 1.99	1.68 / 1.99	2.91 / 3.41
07 + 07 + 07 + 18	1.43 / 1.68	1.43 / 1.68	1.43 / 1.68	3.69 / 4.33
07 + 07 + 07 + 24	1.24 / 1.46	1.24 / 1.46	1.24 / 1.46	4.26 / 5.01
07 + 07 + 07 + 26	1.19 / 1.40	1.19 / 1.40	1.19 / 1.40	4.42 / 5.20
07 + 07 + 09 + 09	1.72 / 2.05	1.72 / 2.05	2.20 / 2.64	2.20 / 2.64
07 + 07 + 09 + 12	1.59 / 1.88	1.59 / 1.88	2.04 / 2.41	2.72 / 3.22
07 + 07 + 09 + 18	1.36 / 1.60	1.36 / 1.60	1.75 / 2.06	3.51 / 4.12
07 + 07 + 09 + 24	1.19 / 1.40	1.19 / 1.40	1.53 / 1.80	4.08 / 4.80
07 + 07 + 09 + 26	1.14 / 1.34	1.14 / 1.34	1.46 / 1.72	4.24 / 4.98
07 + 07 + 12 + 12	1.47 / 1.73	1.47 / 1.73	2.52 / 2.96	2.52 / 2.96
07 + 07 + 12 + 18	1.27 / 1.49	1.27 / 1.49	2.18 / 2.56	3.27 / 3.84
07 + 07 + 12 + 24	1.12 / 1.31	1.12 / 1.31	1.92 / 2.25	3.84 / 4.51
07 + 07 + 18 + 18	1.12 / 1.31	1.12 / 1.31	2.88 / 3.38	2.88 / 3.38
07 + 09 + 09 + 09	1.62 / 1.93	2.09 / 2.48	2.09 / 2.48	2.09 / 2.48
07 + 09 + 09 + 12	1.50 / 1.77	1.93 / 2.28	1.93 / 2.28	2.59 / 3.04
07 + 09 + 09 + 18	1.30 / 1.53	1.67 / 1.96	1.67 / 1.96	3.34 / 3.93
07 + 09 + 09 + 24	1.14 / 1.34	1.46 / 1.72	1.46 / 1.72	3.91 / 4.60
07 + 09 + 12 + 12	1.40 / 1.64	1.80 / 2.11	2.40 / 2.82	2.40 / 2.82
07 + 09 + 12 + 18	1.21 / 1.43	1.56 / 1.83	2.08 / 2.45	3.13 / 3.67
07 + 09 + 12 + 24	1.07 / 1.26	1.38 / 1.62	1.84 / 2.16	3.69 / 4.33
07 + 12 + 12 + 12	1.30 / 1.53	2.23 / 2.62	2.23 / 2.62	2.23 / 2.62
07 + 12 + 12 + 18	1.14 / 1.34	1.95 / 2.30	1.95 / 2.30	2.93 / 3.45
09 + 09 + 09 + 09	1.97 / 2.35	1.97 / 2.35	1.97 / 2.35	1.97 / 2.35
09 + 09 + 09 + 12	1.84 / 2.16	1.84 / 2.16	1.84 / 2.16	2.46 / 2.89
09 + 09 + 09 + 18	1.60 / 1.88	1.60 / 1.88	1.60 / 1.88	3.20 / 3.76
09 + 09 + 09 + 24	1.41 / 1.65	1.41 / 1.65	1.41 / 1.65	3.76 / 4.42
09 + 09 + 12 + 12	1.56 / 1.83	1.75 / 2.06	2.34 / 2.75	2.34 / 2.75
09 + 09 + 12 + 18	1.50 / 1.76	1.50 / 1.76	2.00 / 2.35	3.00 / 3.52
09 + 12 + 12 + 12	1.60 / 1.88	2.13 / 2.50	2.13 / 2.50	2.13 / 2.50
12 + 12 + 12 + 12	2.00 / 2.35	2.00 / 2.35	2.00 / 2.35	2.00 / 2.35