

OUTDOOR UNIT

PARTS CATALOG

No. OBB629

Models

MUZ-SF25VE - E1

MUZ-SF25VEH - E1

MUZ-SF35VE - E1

MUZ-SF35VEH - E1

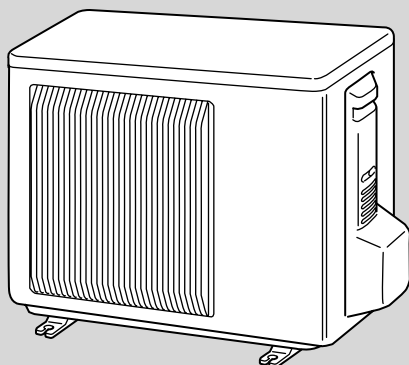
MUZ-SF42VE - E1

MUZ-SF42VEH - E1

MUZ-SF50VE - E1

MUZ-SF50VEH - E1

MUZ-SF25VE MUZ-SF25VEH
 MUZ-SF35VE MUZ-SF35VEH
 MUZ-SF42VE MUZ-SF42VEH



CONTENTS

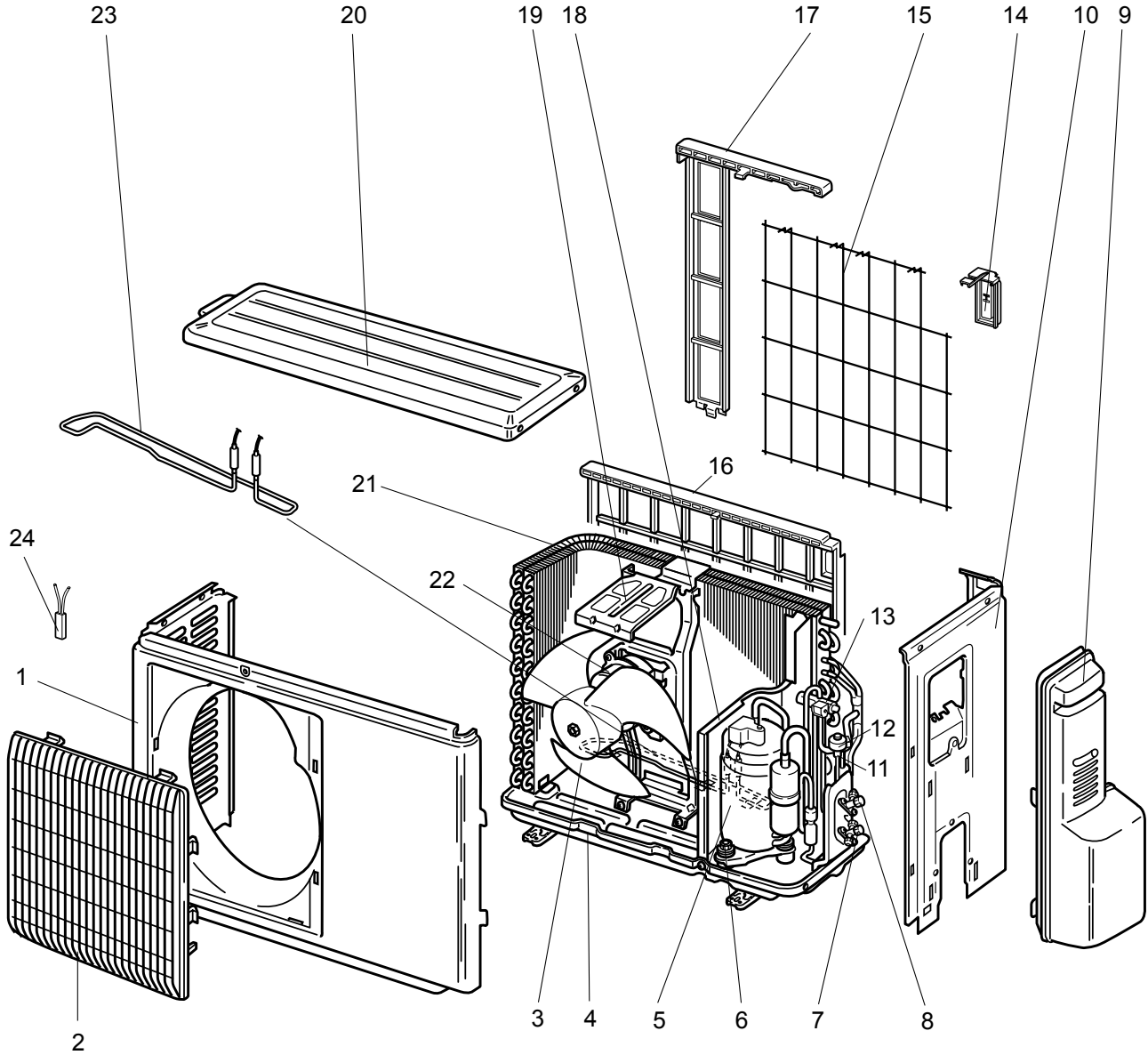
1. RoHS PARTS LIST..... 2

SERVICE MANUAL (OBH629)

NOTE:
 RoHS compliant products have <G> mark on the spec name plate.



MUZ-SF25VE MUZ-SF25VEH MUZ-SF35VE MUZ-SF35VEH MUZ-SF42VE MUZ-SF42VEH
1-1. OUTDOOR UNIT STRUCTURAL PARTS AND FUNCTIONAL PARTS



RoHS PARTS LIST

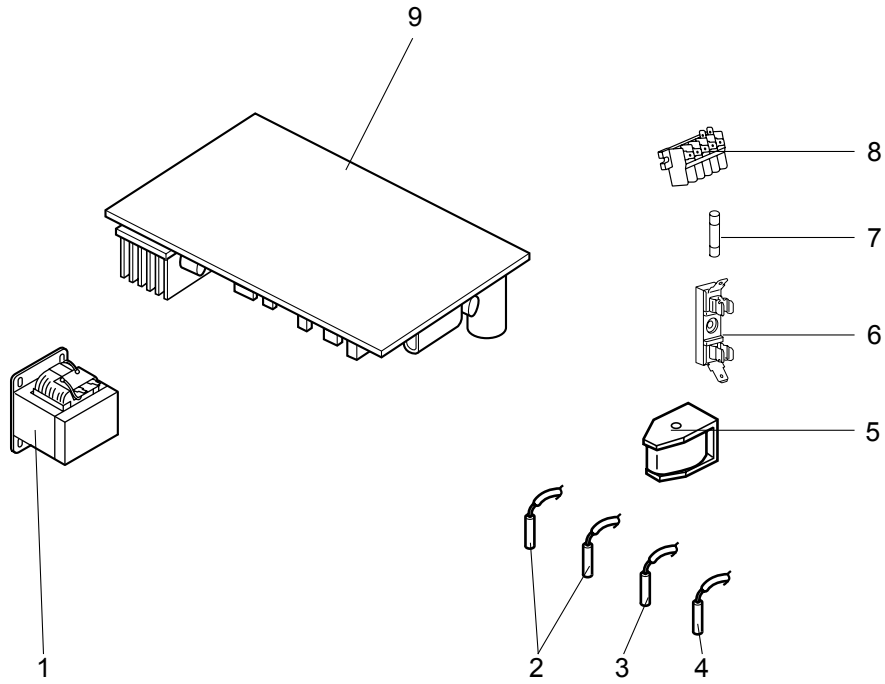
1-1. OUTDOOR UNIT STRUCTURAL PARTS AND FUNCTIONAL PARTS

Part numbers that are circled are not shown in the illustration.

No.	RoHS	Part No.	Part Name	Symbol in Wiring Diagram	Q'ty/unit						Remarks
					MUZ-SF25		MUZ-SF35		MUZ-SF42		
					VE- [E1]	VEH-[E1]	VE- [E1]	VEH-[E1]	VE- [E1]	VEH-[E1]	
1	G	E12 A89 232	CABINET		1	1					
	G	E12 927 232					1	1			
2	G	E12 927 521	GRILLE		1	1	1	1	1	1	
3	G	E12 927 501	PROPELLER		1	1	1	1	1	1	
4	G	E12 A89 290	BASE		1						
	G	E12 H22 290				1					
	G	E12 D69 290					1		1		
	G	E12 D70 290						1		1	
5	G	E12 H18 900	COMPRESSOR	MC	1	1					KNB073FKVMC KNB092FNDMC SNB130FGAMT
	G	E12 H19 900					1	1			
	G	E12 G12 900							1	1	
6	G	E12 065 506	COMPRESSOR RUBBER SET		3	3	3	3			3 RUBBERS/ SET
	G	E12 C34 506							3	3	
7	G	E12 D69 661	STOP VALVE (GAS)		1	1	1	1			ø9.52
	G	E12 927 661							1	1	
8	G	E12 D58 662	STOP VALVE (LIQUID)		1	1	1	1			ø6.35
	G	E12 927 662							1	1	
9	G	E12 927 245	SERVICE PANEL		1	1	1	1	1	1	
10	G	E12 G11 233	BACK PANEL		1						
	G	E12 G13 233				1					
	G	E12 G12 233					1				
	G	E12 G14 233						1			
	G	E12 G15 233							1		
	G	E12 H24 233								1	
11	G	E12 927 640	EXPANSION VALVE		1	1	1	1			
	G	E12 838 640							1	1	
12	G	E12 G10 493	EXPANSION VALVE COIL	LEV	1	1	1	1	1	1	
13	G	E12 927 961	4-WAY VALVE		1	1	1	1	1	1	
14	G	E12 928 079	THERMO HOLDER			1		1			
	G	E12 930 079								1	
15	G	E12 928 525	CONDENSER WIRE NET			1		1			
	G	E12 930 525								1	
16	G	E12 H18 523	CONDENSER NET		1						
	G	E12 B83 523					1				
	G	E12 929 523							1		
17	G	E12 H22 523	CONDENSER NET			1					
	G	E12 928 523						1			
	G	E12 930 523								1	
18	G	E12 G10 293	SEPARATOR		1		1				
	G	E12 G13 293				1		1			
	G	E12 G11 293							1		
	G	E12 G14 293								1	
19	G	E12 927 515	MOTOR SUPPORT		1	1	1	1			
	G	E12 929 515							1	1	
20	G	E12 927 297	TOP PANEL		1	1	1	1	1	1	
21	G	E12 H18 630	OUTDOOR HEAT EXCHANGER		1	1					
	G	E12 H19 630					1	1			
	G	E12 G12 630							1	1	
22	G	E12 G11 301	OUTDOOR FAN MOTOR	MF	1	1	1	1	1	1	RC0J50-□□
23	G	E12 C36 526	DEFROST HEATER	H		1				1	
24	G	E12 C36 381	HEATER PROTECTOR	26H		1				1	
(25)	G	E12 927 937	CAPILLARY TUBE		1	1	1	1	1	1	ø3.0×ø2.0×240
(26)	G	E12 735 936	CAPILLARY TUBE						2	2	ø3.0×ø1.8×600
(27)	G	E12 838 704	DRAIN SOCKET		1		1		1		

RoHS PARTS LIST

MUZ-SF25VE MUZ-SF25VEH MUZ-SF35VE MUZ-SF35VEH MUZ-SF42VE MUZ-SF42VEH
1-2. OUTDOOR UNIT ELECTRICAL PARTS



RoHS PARTS LIST

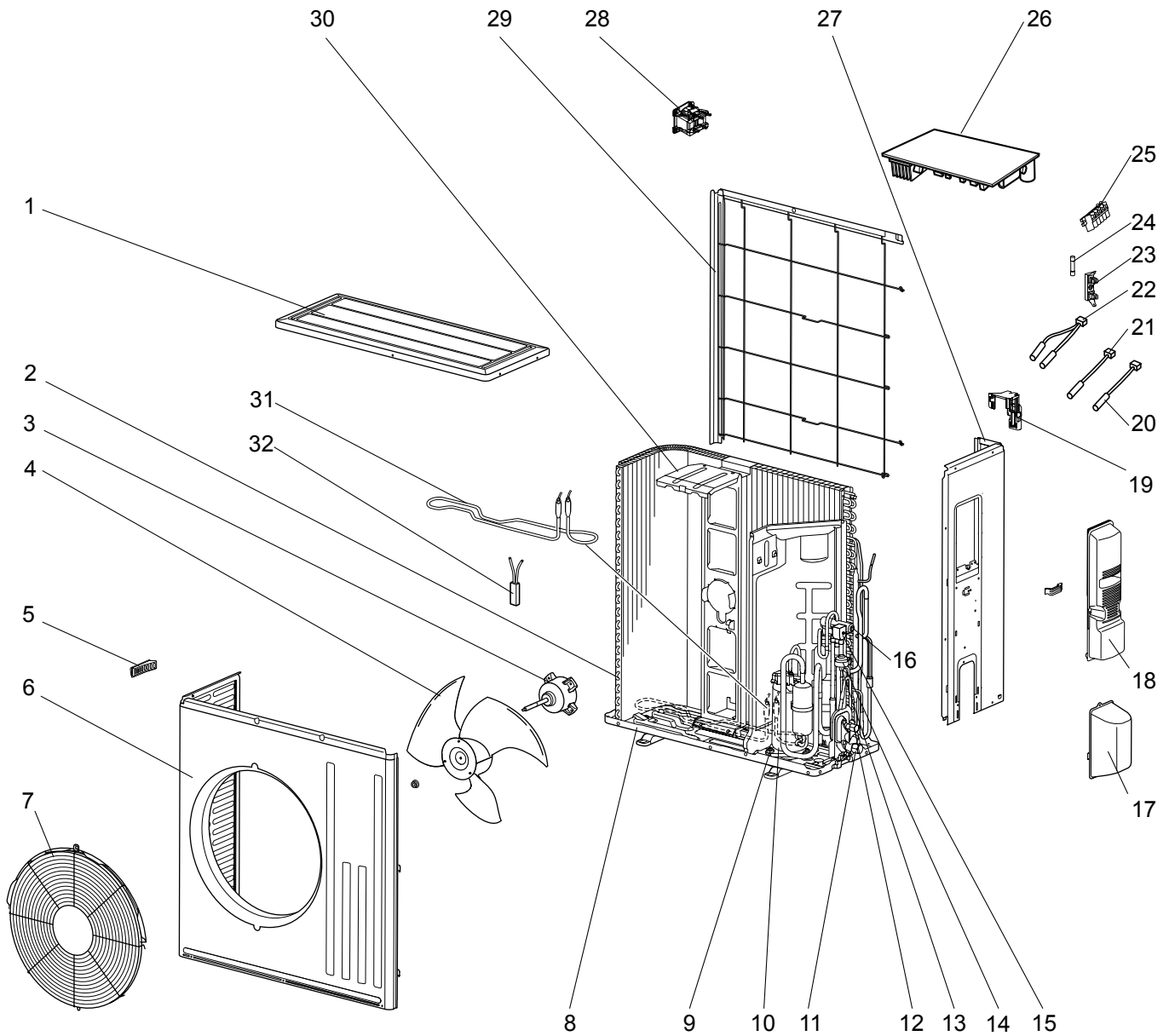
1-2. OUTDOOR UNIT ELECTRICAL PARTS

No.	RoHS	Part No.	Part Name	Symbol in Wiring Diagram	Q'ty/unit						Remarks
					MUZ-SF25		MUZ-SF35		MUZ-SF42		
					VE- [E1]	VEH- [E1]	VE- [E1]	VEH- [E1]	VE- [E1]	VEH- [E1]	
1	G	E12 G10 337	REACTOR	L61	1	1					
	G	E12 G11 337					1	1	1	1	
2	G	E12 C34 306	THERMISTOR SET	RT61, RT62	1	1	1	1	1	1	DEFROST, DISCHARGE
3	G	E12 G10 309	AMBIENT TEMPERATURE THERMISTOR	RT65	1	1	1	1	1	1	
4	G	E12 C34 307	OUTDOOR HEAT EXCHANGER TEMPERATURE THERMISTOR	RT68	1	1	1	1	1	1	
5	G	E12 G10 490	R.V. COIL	21S4	1	1	1	1	1	1	
6	G	E12 735 241	FUSE HOLDER		1	1	1	1	1	1	
7	G	E12 735 382	FUSE	F61	1	1	1	1	1	1	T20AL250V
8	G	E12 G16 374	TERMINAL BLOCK	TB	1	1	1	1	1	1	5 P
9	G	E12 H18 451	INVERTER P.C. BOARD		1						Including heat sink and RT64
	G	E12 H22 451				1					
	G	E12 H19 451					1				
	G	E12 H23 451						1			
	G	E12 H20 451							1		
	G	E12 H24 451								1	

RoHS PARTS LIST

MUZ-SF50VE

1-3. OUTDOOR UNIT STRUCTURAL PARTS, ELECTRICAL PARTS AND FUNCTIONAL PARTS



RoHS PARTS LIST

1-3. OUTDOOR UNIT STRUCTURAL PARTS, ELECTRICAL PARTS AND FUNCTIONAL PARTS

Part numbers that are circled are not shown in the illustration.

No.	RoHS	Part No.	Part Name	Symbol in Wiring Diagram	Q'ty/unit		Remarks
					MUZ-SF		
					50VE- [E1]	50VEH- [E1]	
1	G	E12 F28 297	TOP PANEL		1	1	
2	G	E12 H21 630	OUTDOOR HEAT EXCHANGER		1	1	
3	G	E12 G16 301	OUTDOOR FAN MOTOR	MF	1	1	RC0J60-□□
4	G	E12 F28 501	PROPELLER		1	1	
5	G	E12 817 009	HANDLE		1	1	
6	G	E12 F28 232	CABINET		1	1	
7	G	E12 F73 521	FAN GUARD		1	1	Including ice guard
8	G	E12 F28 290	BASE		1		
		E12 H25 290				1	
9	G	E12 C34 506	COMPRESSOR RUBBER SET		3	3	3 RUBBERS/SET
10	G	E12 F28 900	COMPRESSOR	MC	1	1	SNB130FGBMT
11	G	E12 G16 661	STOP VALVE (GAS)		1	1	ø12.7
12	G	E12 G16 662	STOP VALVE (LIQUID)		1	1	ø6.35
13	G	E12 851 640	EXPANSION VALVE		1	1	
14	G	E12 F28 493	EXPANSION VALVE COIL	LEV	1	1	
15	G	E12 G16 490	R.V. COIL	21S4	1	1	
16	G	E12 C18 961	4-WAY VALVE		1	1	
17	G	E12 F28 650	VALVE COVER		1	1	
18	G	E12 G16 245	SERVICE PANEL		1	1	
19	G	E12 F28 079	THERMO HOLDER		1	1	
20	G	E12 G16 309	AMBIENT TEMPERATURE THERMISTOR	RT65	1	1	
21	G	E12 G16 307	OUTDOOR HEAT EXCHANGER TEMPERATURE THERMISTOR	RT68	1	1	
22	G	E12 G16 308	THERMISTOR SET	RT61,RT62	1	1	DEFROST, DISCHARGE
23	G	E12 735 241	FUSE HOLDER		1	1	
24	G	E12 735 382	FUSE	F61	1	1	T20AL250V
25	G	E12 G16 374	TERMINAL BLOCK	TB	1	1	5 P
26	G	E12 H21 451	INVERTER P.C. BOARD		1		Including heat sink and RT64
	G	E12 H25 451				1	
27	G	E12 F28 233	BACK PANEL (OUT)		1	1	
28	G	E12 H21 337	REACTOR	L61	1	1	
29	G	E12 F28 523	CONDENSER NET		1	1	
30	G	E12 F28 515	MOTOR SUPPORT		1	1	
31	G	E12 J52 526	DEFROST HEATER			1	
32	G	E12 J52 381	HEATER PROTECTOR			1	
33	G	E12 262 936	CAPILLARY TUBE		1	1	ø4.0 × ø2.4 × 200
34	G	E12 838 936	CAPILLARY TUBE		4	4	ø3.0 × ø2.0 × 200
35	G	E12 527 936	CAPILLARY TUBE		1	1	ø4.0 × ø2.4 × 100
36	G	E12 F28 704	DRAIN SOCKET		1		

mitsubishi electric corporation

HEAD OFFICE: TOKYO BLDG., 2-7-3, MARUNOUCHI, CHIYODA-KU, TOKYO 100-8310, JAPAN

© Copyright 2012 MITSUBISHI ELECTRIC CORPORATION
Distributed in Nov. 2012. No. OBB629
Made in Japan

New publication, effective Nov. 2012
Specifications are subject to change without notice.