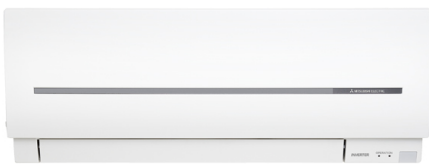


Air Conditioning

Product Information

MSZ-SF50VE : Inverter Heat Pump

R410A Wall Mounted System



The MSZ series has been completely redesigned offering a stylish and efficient system.

These models offer industry leading noise levels and have a distinctively styled front panel that not only looks appealing, but also helps to make cleaning of the unit easier.

FEATURES



INDOOR

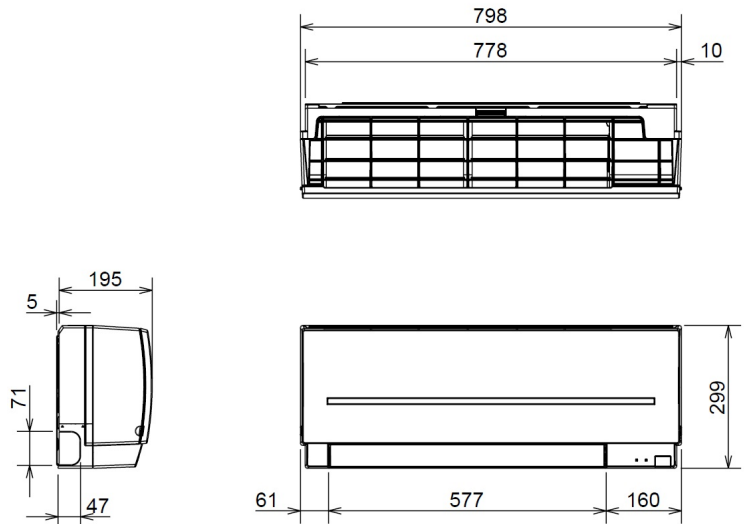
Heating Capacity (kW) (nominal)	5.8 (1.4 - 7.3)
Cooling Capacity (kW) (nominal)	5 (1.4 - 5.4)
Heating Capacity (kW) (UK)	4.8 (1.16 - 6.06)
Cooling Capacity (kW) (UK)	4.96 (1.38 - 5.35)
SHF (nominal and UK)	0.7
COP / EER (nominal)	3.41 / 3.01
SCOP / SEER	4.4 / 7.2
Energy Efficiency Class - Heating / Cooling	A+ / A++
Airflow (m³/min) (Heating) - Si-Lo-Mi-Hi-SupHi	5.6 - 6.4 - 8 - 9.8 - 12
Airflow (m³/min) (Cooling) - Si-Lo-Mi-Hi-SupHi	5.6 - 6.2 - 7 - 8.2 - 9.9
Pipe Size Gas (mm [in])	12.7 (1/2)
Pipe Size Liquid (mm [in])	6.35 (1/4)
Sound Pressure Level (dBA) Heating - Si-Lo-Mi-Hi-SupHi	30 - 33 - 38 - 43 - 49
Sound Pressure Level (dBA) Cooling - Si-Lo-Mi-Hi-SupHi	30 - 33 - 36 - 40 - 45
Sound Power Level (dBA) Cooling	58
Dimensions (mm) Width x Depth x Height	798 x 195 x 299
Weight (kg)	10
Electrical Supply	FED BY OUTDOOR UNIT
Phase	SINGLE
Fuse Rating (BS88) - HRC (A)	6
Interconnecting Cable No. Cores	4

OUTDOOR

Sound Pressure Level (dBA) Heating / Cooling	52 / 52
Sound Power Level (dBA) Cooling	65
Weight (kg)	55
Dimensions (mm) Width x Depth x Height	840 x 330 x 880
Electrical Supply	220-240V, 50HZ
Phase	SINGLE
System Power Input (kW) - Heating / Cooling (nominal)	1.7 / 1.66
System Power Input (kW) - Heating / Cooling (UK)	1.55 / 1.34
Starting Current (A)	7.6
System Running Current (A) [MAX] - Heating / Cooling	7.6 / 7.4 [12.3]
Fuse Rating (BS88) - HRC (A)	16
Mains Cable No. Cores	3
Max Pipe Length (m)	30
Max Height Difference (m)	15
Charge R410A (kg) - (pre charged length)	1.55 (7)

DIMENSIONS

MSZ-SF25_50



DIMENSIONS

MUZ-SF25_50

