

INDOOR UNIT

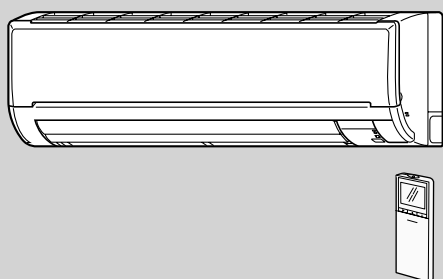
PARTS CATALOG

No. OBB634

Models

MSZ-GF60VE - E1

MSZ-GF71VE - E1



CONTENTS

- 1. RoHS PARTS LIST..... 2
- 2. OPTIONAL PARTS..... 5

SERVICE MANUAL (OBH634)

NOTE:

RoHS compliant products have <G> mark on the spec name plate.

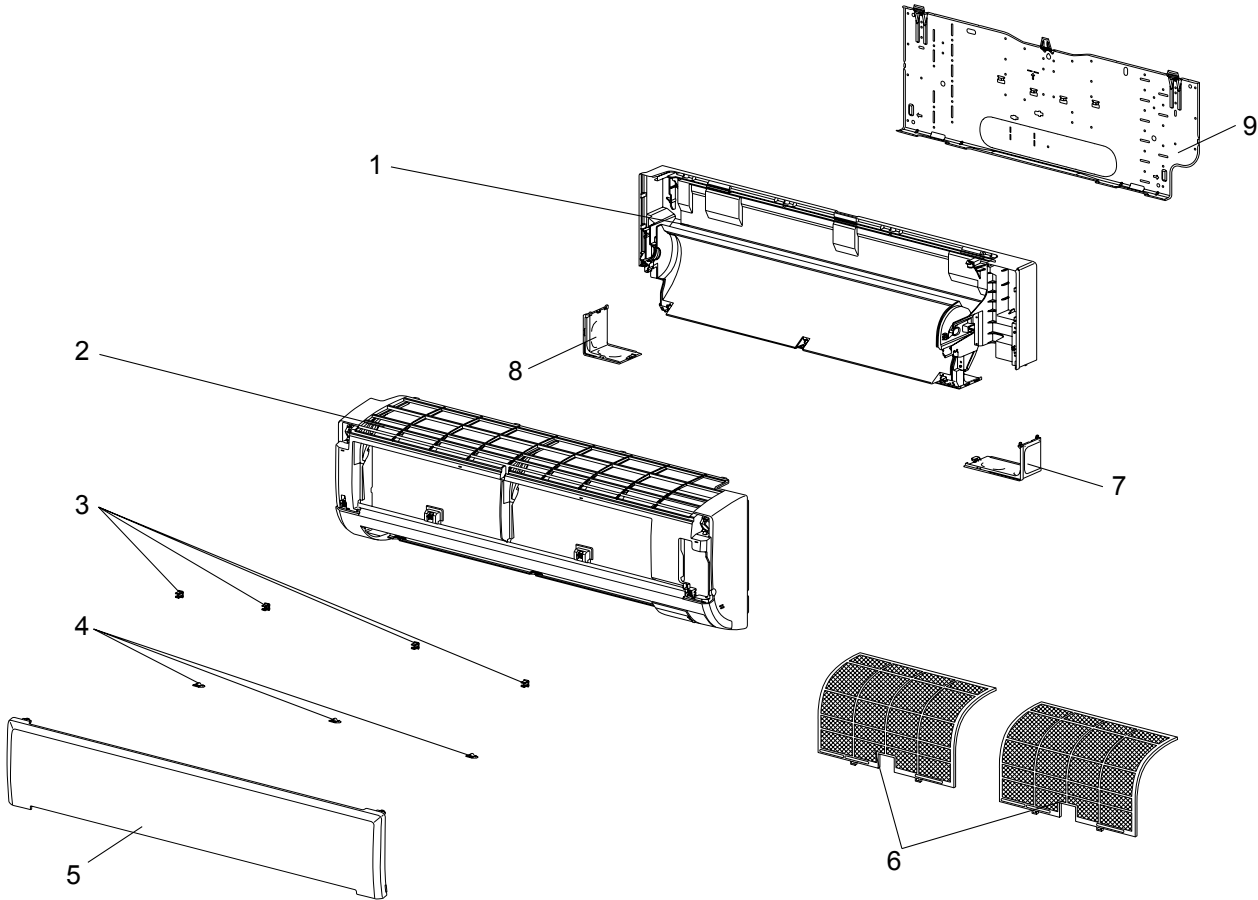


1

RoHS PARTS LIST

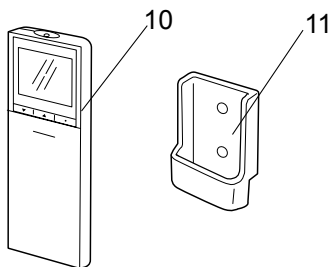
MSZ-GF60VE MSZ-GF71VE

1-1. INDOOR UNIT STRUCTURAL PARTS



No.	RoHS	Part No.	Part name	Symbol in Wiring Diagram	Q'ty/unit		Remarks
					MSZ-GF		
					60VE-[E1]	71VE-[E1]	
1	G	E12 F28 234	BOX ASSEMBLY		1	1	
2	G	E12 F28 000	PANEL ASSEMBLY		1	1	Including No. 3,4,5
3	G	E12 408 142	CATCH		4	4	4 PCS/SET
4	G	E12 F28 067	SCREW CAP		3	3	3 PCS/SET
5	G	E12 F28 010	FRONT PANEL		1	1	
6	G	E12 F28 100	NANO PLATINUM FILTER		2	2	1 PC/SET
7	G	E12 F28 975	CORNER BOX (RIGHT)		1	1	
8	G	E12 F28 976	CORNER BOX (LEFT)		1	1	
9	G	E12 F28 970	INSTALLATION PLATE		1	1	

1-2. ACCESSORY AND REMOTE CONTROLLER

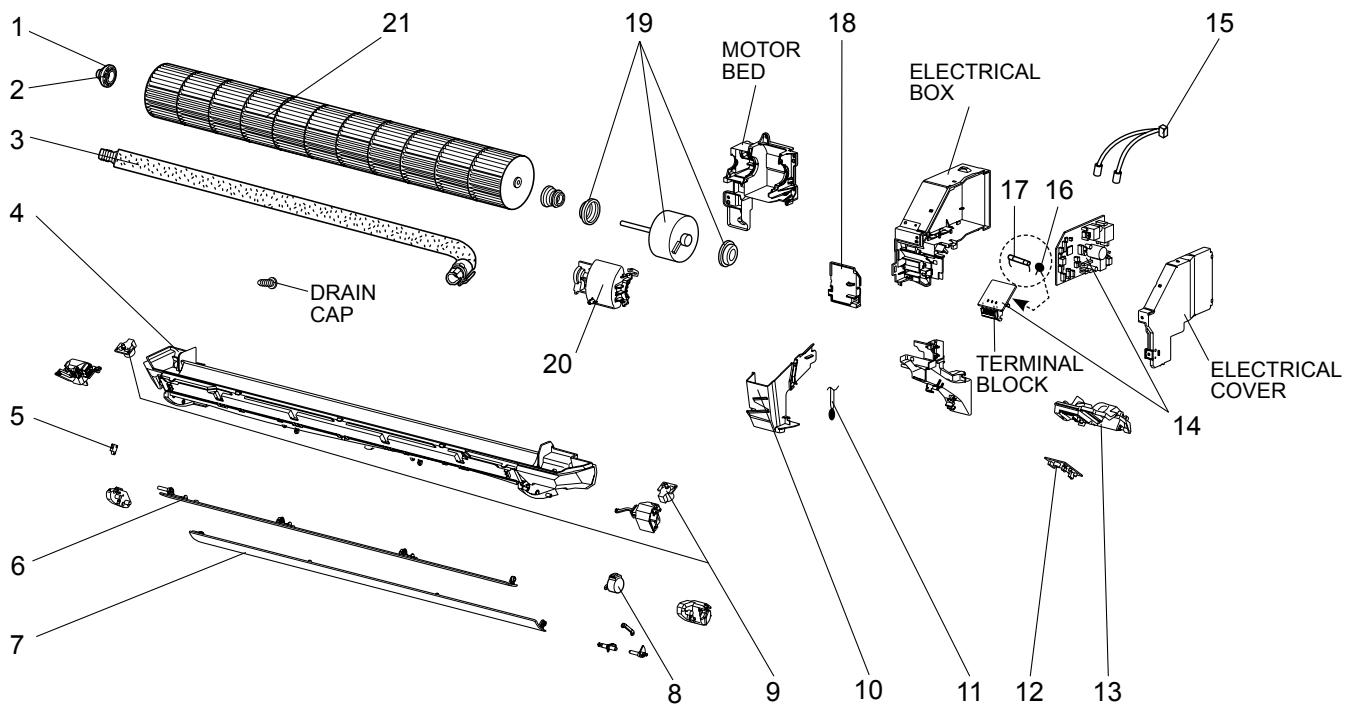


10	G	E12 J61 426	REMOTE CONTROLLER		1	1	SG12D
11	G	E12 F28 083	REMOTE CONTROLLER HOLDER		1	1	

RoHS PARTS LIST

MSZ-GF60VE MSZ-GF71VE

1-3. INDOOR UNIT ELECTRICAL PARTS AND FUNCTIONAL PARTS



No.	RoHS	Part No.	Part name	Symbol in Wiring Diagram	Q'ty/unit		Remarks
					MSZ-GF		
					60VE-E1	71VE-E1	
1	G	E12 751 509	BEARING MOUNT		1	1	
2	G	E12 001 504	SLEEVE BEARING		1	1	
3	G	E12 408 702	DRAIN HOSE		1	1	
4	G	E12 F31 235	NOZZLE ASSEMBLY		1	1	
5	G	E12 F28 316	INTERLOCK SWITCH (FAN)		1	1	
6	G	E12 F28 040	VANE (UPPER)		1	1	
7	G	E12 F28 041	VANE (LOWER)		1	1	
8	G	E12 C33 303	VANE MOTOR (HORIZONTAL)	MV1	1	1	UP & DOWN
9	G	E12 C32 303	VANE MOTOR (VERTICAL)	MV2	2	2	RIGHT & LEFT
10	G	E12 F28 541	WATER CUT		1	1	
11	G	E12 C32 308	ROOM TEMPERATURE THERMISTOR	RT11	1	1	
12	G	E12 F28 468	POWER MONITOR RECEIVER SW P.C. BOARD		1	1	
13	G	E12 F28 095	POWER MONITOR RECEIVER HOLDER		1	1	
14	G	E12 J61 452	ELECTRONIC CONTROL P.C. BOARD *1		1		
	G	E12 J62 452				1	
15	G	E12 F28 307	INDOOR COIL THERMISTOR	RT12,RT13	1	1	
16	G	E12 B75 385	VARISTOR	NR11	1	1	
17	G	E12 A49 382	FUSE	F11	1	1	T3.15AL250V
18	G	E12 F28 784	V.A. CLAMP		1	1	
19	G	E12 F28 300	INDOOR FAN MOTOR *2	MF	1	1	RC0J56-□□
20	G	E12 F28 333	MOTOR BAND		1	1	
21	G	E12 F28 302	LINE FLOW FAN		1	1	

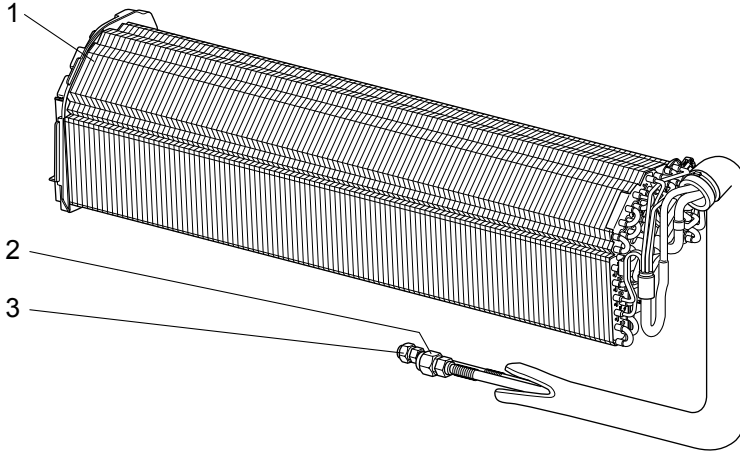
*1 Including TERMINAL BLOCK with TERMINAL P.C. BOARD

*2 Including FAN MOTOR RUBBER MOUNT (2 PCS/SET)

RoHS PARTS LIST

MSZ-GF60VE MSZ-GF71VE

1-4. INDOOR UNIT HEAT EXCHANGER



No.	RoHS	Part No.	Part name	Symbol in Wiring Diagram	Q'ty/unit		Remarks
					MSZ-GF		
					60VE- <u>E1</u>	71VE- <u>E1</u>	
1	G	E12 F28 620	INDOOR HEAT EXCHANGER		1		
	G	E12 F29 620				1	
2	G	E12 527 666	UNION (GAS)		1	1	ø15.88
3	G	E12 151 667	UNION (LIQUID)		1		ø6.35
	G	E12 815 666	UNION (LIQUID)			1	ø9.52

2

OPTIONAL PARTS

2-1. AIR CLEANING FILTER (ELECTROSTATIC ANTI-ALLERGY ENZYME FILTER)

Every 3 months:

- Remove dirt by a vacuum cleaner.

When dirt cannot be removed by vacuum cleaning:

- Soak the filter and its frame in lukewarm water before rinsing it.
- After washing, dry it well in shade.

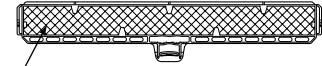
Every year:

- Replace it with a new air cleaning filter for best performance.

NOTE 1: Clean the filters regularly for best performance and to reduce power consumption.

NOTE 2: Dirty filters cause condensation in the air conditioner which will contribute to the growth of fungi such as mold. It is therefore recommended to clean air filters every 2 weeks.

Model	Part No.
MSZ-GF60VE MSZ-GF71VE	MAC-2310FT-E



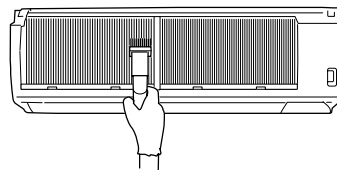
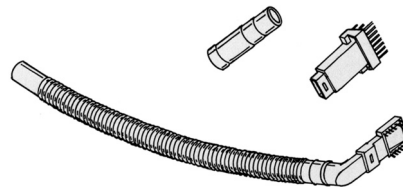
Air cleaning filter
(Electrostatic anti-allergy enzyme filter)

2-2. QUICK CLEAN KIT

- You can sweep the surface of heat exchanger and fan if you install the special-made brush to your vacuum cleaner.

Model	Part No.
MSZ-GF60VE MSZ-GF71VE	MAC-093SS-E

NOTE : Refer to the instructions described in the QUICK CLEAN KIT for details.



MITSUBISHI ELECTRIC CORPORATION

HEAD OFFICE: TOKYO BLDG., 2-7-3, MARUNOUCHI, CHIYODA-KU, TOKYO 100-8310, JAPAN

© Copyright 2013 MITSUBISHI ELECTRIC CORPORATION
Distributed in Mar. 2013. No. OBB634
Made in Japan

New publication, effective Mar. 2013
Specifications are subject to change without notice.