

**Revision A:**

- E2 has been added.

Please void OBB468.

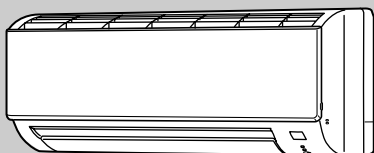
## INDOOR UNIT

# PARTS CATALOG

**No. OBB468**  
REVISED EDITION-A

### Wireless type Models

<b>MSZ-GC22VA</b>	- E1
<b>MSZ-GC22VA</b>	- E2
<b>MSZ-GC25VA</b>	- E1
<b>MSZ-GC25VA</b>	- E2
<b>MSZ-GC35VA</b>	- E1
<b>MSZ-GC35VA</b>	- E2



### CONTENTS

- |                          |   |
|--------------------------|---|
| 1. RoHS PARTS LIST ..... | 2 |
| 2. OPTIONAL PARTS.....   | 5 |

**SERVICE MANUAL (OBH468)**

**NOTE:**  
RoHS compliant products have <G> mark on the spec name plate.

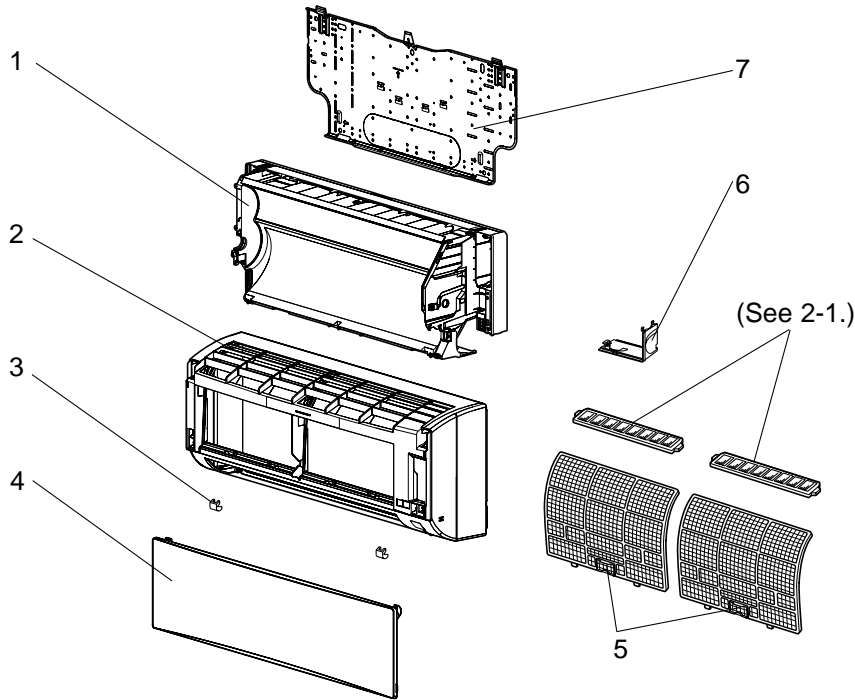


# 1

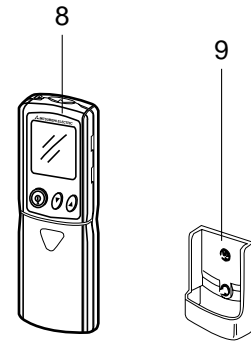
# RoHS PARTS LIST

MSZ-GC22VA  
MSZ-GC25VA  
MSZ-GC35VA

## 1-1. INDOOR UNIT STRUCTURAL PARTS



## 1-2. ACCESSORY AND REMOTE CONTROLLER



## 1-1. INDOOR UNIT STRUCTURAL PARTS

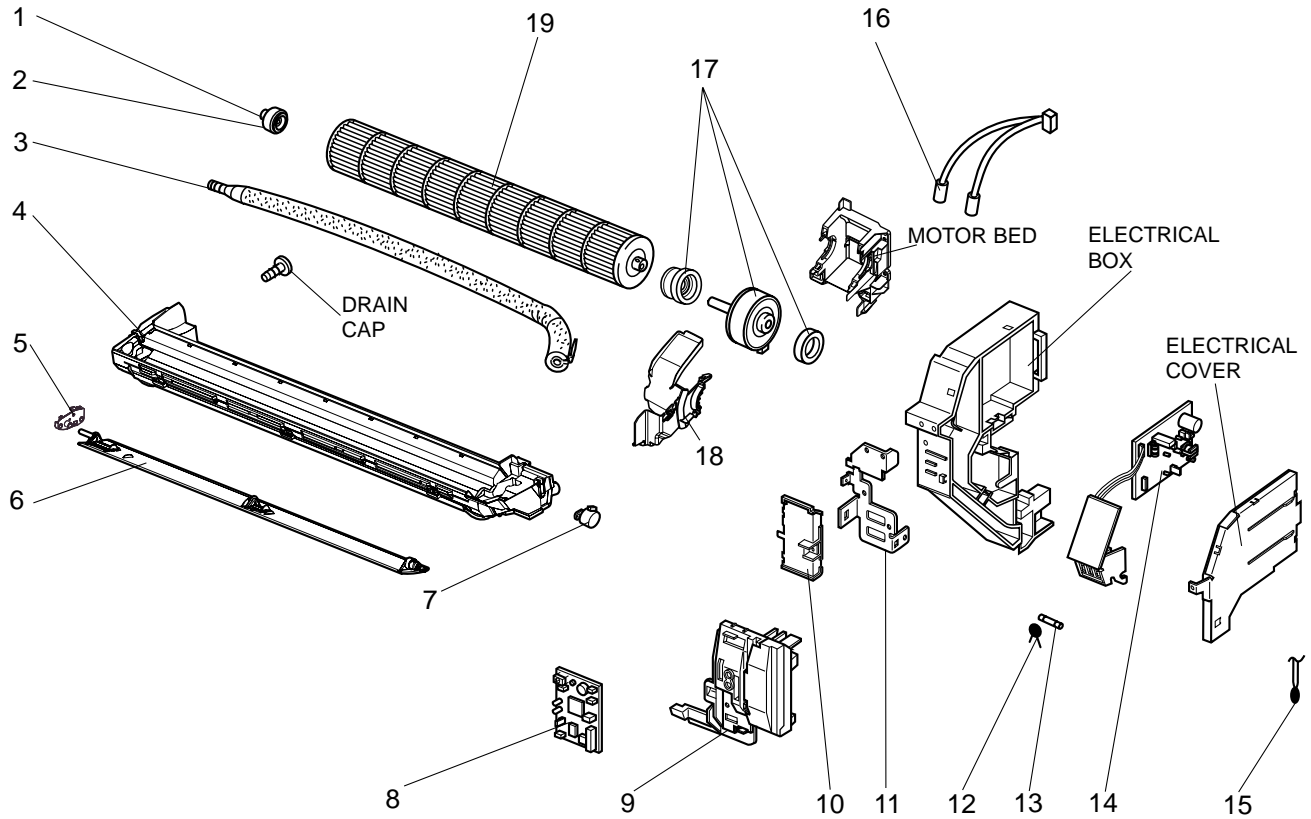
No.	RoHS	Part No.	Part name	Symbol in Wiring Diagram	Q'ty/unit						Remarks
					MSZ-						
					GC22VA -		GC25VA -		GC35VA -		
E1	E2	E1	E2	E1	E2						
1	G	E12 A89 234	BOX		1	1	1	1	1	1	
2	G	E12 B66 000	PANEL ASSEMBLY		1		1		1		Including No.3,4 2PCS/SET
	G	E12 D24 000	PANEL ASSEMBLY			1	1		1		
3	G	E12 913 067	SCREW CAP		2	2	2	2	2	2	
4	G	E12 B66 010	FRONT PANEL		1	1	1	1	1	1	1PC/SET
5	G	E12 B66 100	CATECHIN AIR FILTER		2	2	2	2	2	2	
6	G	E12 A89 975	CORNER BOX (RIGHT)		1	1	1	1	1	1	
7	G	E12 A89 970	INSTALLATION PLATE		1	1	1	1	1	1	

## 1-2. ACCESSORY AND REMOTE CONTROLLER

8	G	E12 915 426	REMOTE CONTROLLER		1	1	1	1	1	1	KM05B
9	G	E12 527 083	REMOTE CONTROLLER HOLDER		1	1	1	1	1	1	

**MSZ-GC22VA**  
**MSZ-GC25VA**  
**MSZ-GC35VA**

**1-3. INDOOR UNIT ELECTRICAL PARTS AND FUNCTIONAL PARTS**

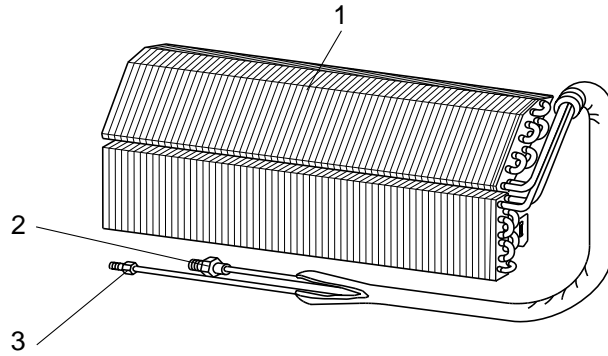


No.	RoHS	Part No.	Part name	Symbol in Wiring Diagram	Q'ty/unit						Remarks
					MSZ-						
					GC22VA -		GC25VA -		GC35VA -		
E1	E2	E1	E2	E1	E2						
1	G	E12 A89 509	BEARING MOUNT ASSEMBLY		1	1	1	1	1	1	
2	G	E12 001 504	SLEEVE BEARING		1	1	1	1	1	1	
3	G	E12 897 702	DRAIN HOSE		1	1	1	1	1	1	
4	G	E12 B66 235	NOZZLE ASSEMBLY		1	1	1	1	1	1	
5	G	E12 B66 316	INTERLOCK SWITCH		1	1	1	1	1	1	
6	G	E12 B66 040	HORIZONTAL VANE		1	1	1	1	1	1	
7	G	E12 A89 303	VANE MOTOR	MV	1	1	1	1	1	1	UP & DOWN
8	G	E12 B66 452	ELECTRONIC CONTROL P.C. BOARD		1	1					
	G	E12 B67 452	ELECTRONIC CONTROL P.C. BOARD				1	1			
	G	E12 B68 452	ELECTRONIC CONTROL P.C. BOARD						1	1	
9	G	E12 A89 095	INDOOR ELECTRONIC CONTROL P.C. BOARD HOLDER		1	1	1	1	1	1	
10	G	E12 A89 784	V.A. CLAMP		1	1	1	1	1	1	
11	G	E12 A89 780	TERMINAL BLOCK COVER		1	1	1	1	1	1	
12	G	E12 A43 385	VARISTOR	NR11	1	1	1	1	1	1	
13	G	E12 A49 382	FUSE	F11	1	1	1	1	1	1	T3.15AL250V
14	G	E12 B66 440	POWER P.C. BOARD * 1		1	1	1	1	1	1	
15	G	E12 A89 308	ROOM TEMPERATURE THERMISTOR	RT11	1	1	1	1	1	1	
16	G	E12 B66 307	INDOOR COIL THERMISTOR	RT12,RT13	1	1	1	1	1	1	
17	G	E12 D24 300	INDOOR FAN MOTOR * 2	MF	1	1	1	1	1	1	RC4V18 - □ □
18	G	E12 A89 333	MOTOR BAND ASSEMBLY		1	1	1	1	1	1	
19	G	E12 A89 302	LINE FLOW FAN		1	1					
	G	E12 B67 302	LINE FLOW FAN				1	1	1	1	

\* 1 Including TERMINAL BLOCK with TERMINAL P.C. BOARD  
\* 2 Including FAN MOTOR RUBBER MOUNT (2 PCS/SET)

MSZ-GC22VA  
 MSZ-GC25VA  
 MSZ-GC35VA

1-4. INDOOR UNIT HEAT EXCHANGER



No.	RoHS	Part No.	Part name	Symbol in Wiring Diagram	Q'ty/unit						Remarks
					MSZ-						
					GC22VA -		GC25VA -		GC35VA -		
					E1	E2	E1	E2	E1	E2	
1	G	E12 B66 620	INDOOR HEAT EXCHANGER		1	1	1	1			
	G	E12 B68 620	INDOOR HEAT EXCHANGER					1	1		
2	G	E12 815 666	UNION (GAS)		1	1	1	1	1	1	φ9.52
3	G	E12 151 667	UNION (LIQUID)		1	1	1	1	1	1	φ6.35

# 2

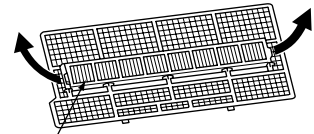
## OPTIONAL PARTS

### 2-1. AIR CLEANING FILTER (ANTI-ALLERGY ENZYME FILTER)

- AIR CLEANING FILTER removes fine dust of 0.01 micron from air by means of static electricity.
- Normal life of AIR CLEANING FILTER is 1 year.  
If AIR CLEANING FILTER is to be washed, soak AIR CLEANING FILTER in water (when showing dirt, in lukewarm water) and rinse it delicately, without removing the filter from the frame about once every 3 months.
- Clogged AIR CLEANING FILTER may reduce the air conditioner capacity or cause frost on the air outlet.
- Do not remove or attach AIR CLEANING FILTER during unit operation.

Model	Part No.
MSZ-GC22VA MSZ-GC25VA MSZ-GC35VA	MAC-408FT-E

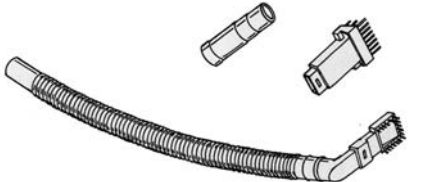
Pull to remove from the air filter



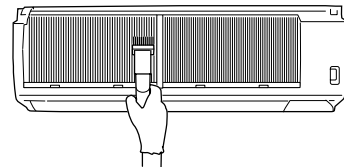
Air cleaning filter  
(Blue bellows type)

### 2-2. QUICK CLEAN KIT

- You can sweep the surface of heat exchanger and fan if you install the special-made brush to your vacuum cleaner.

Model	Part No.	
MSZ-GC22VA MSZ-GC25VA MSZ-GC35VA	MAC-093SS-E	

**NOTE:** Refer to the instructions described in the QUICK CLEAN KIT for details.









HEAD OFFICE: TOKYO BLDG., 2-7-3, MARUNOUCHI, CHIYODA-KU, TOKYO 100-8310, JAPAN

© Copyright 2007 MITSUBISHI ELECTRIC ENGINEERING CO.,LTD  
Distributed in Aug. 2007. No. OBB468 REVISED EDITION-A 6  
Distributed in Jan. 2007. No. OBB468 6  
Made in Japan

New publication, effective Aug. 2007  
Specifications subject to change without notice.