



# MSZ-GC25VA

Inverter Heat Pump

R410A Wall Mounted System

This model has been completely redesigned and features the new Catechin filter system. It offers industry leading noise levels and has a distinctively styled front panel that not only looks appealing but also helps make the cleaning of the unit easier.

- **Anti-Allergy Enzyme Filter is optional**



Pictures not to scale

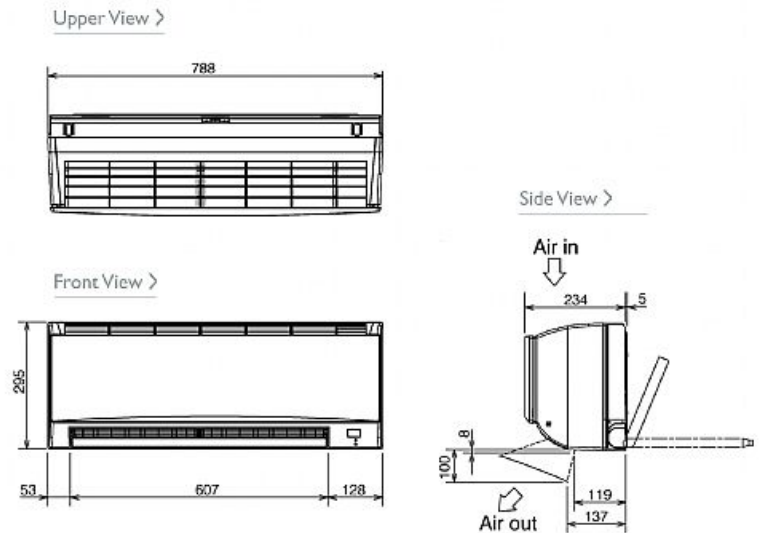
## Product Details

MSZ-GC25VA Indoor Unit	
Capacity (kW):	
Heating (Nominal) (Low - High)	3.20 (0.90 - 4.50)
Cooling (Nominal) (Low - High)	2.50 (0.90 - 3.00)
Heating (UK) (Low - High)	2.65 (0.75 - 3.75)
Cooling (UK) (Low - High)	2.50 (0.90 - 3.00)
SHF R410A (Nominal)	0.79
COP / EER (Nominal)	3.83 / 3.76
Energy Label Heating / Cooling	A / A
Width - mm	788
Depth - mm	234
Height - mm	295
Weight - kg	9
Airflow (m <sup>3</sup> /min) (Heating /Cooling) - Lo-Mi-Hi-SupHi	4.6-6.3-8-10 / 4.1-5.9-7.7-9.6
Noise (dBA) (Heating/Cooling) - Lo-Mi-Hi-SupHi	21-29-36-43 / 21-29-36-43
Pipe Size Gas mm (in)	9.52 (3/8)
Pipe Size Liquid mm (in)	6.35 (1/4)
Electrical Supply	Fed by Outdoor Unit
Phase	Single
Fuse Rating (BS88) - HRC (A)	6
Interconnecting Cable No. Cores	4

MUZ-GC25VA Outdoor Unit	
Width - mm	684
Depth - mm	255
Height - mm	540
Weight - kg	26
Noise (dBA) (Heating /Cooling)	47 / 46
Electrical Supply	220-240v, 50Hz
Phase	Single
Fuse Rating (BS88) - HRC (A)	16
SystemPower Input (kW) - Heating (Nominal)	0.835
SystemPower Input (kW) - Cooling (Nominal)	0.665
SystemPower Input (kW) - Heating (UK)	0.76
SystemPower Input (kW) - Cooling (UK)	0.532
SystemRunning Current (A) - Heating / Cooling	4.2 / 3.6
Mains Cable No. Cores	3
Max Pipe Length (m)	20
Max Height Difference (m)	12
Charge (kg) - 7m	0.75

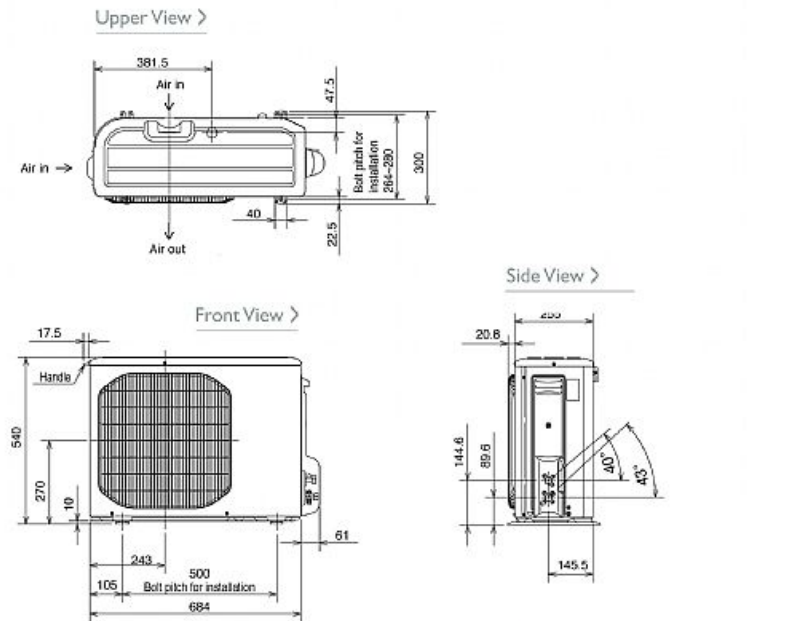
## Dimensions

### MSZ-GC25VA



MSZ-GC25VA

### MUZ-GC25VA



MUZ-HC15/35VA(B) / MUZ-GC25VA



Telephone: 01707 282880

Email: [air.conditioning@meuk.mee.com](mailto:air.conditioning@meuk.mee.com) Website: <http://www.mitsubishielectric.co.uk/aircon>

Tel:  
Fax:



Mitsubishi Electric reserves the right to make any variation in technical specification to the equipment described, or to withdraw or replace products without prior notification or public announcement.