



# MSZ-GA25VA

Inverter Heat Pump

R410A Wall Mounted System

This model has been completely redesigned and features the new Catechin filter system. It offers industry leading noise levels and has a distinctively styled front panel that not only looks appealing but also helps make the cleaning of the unit easier.

- **Anti-Allergy Enzyme Filter is optional**



Pictures not to scale

## Product Details

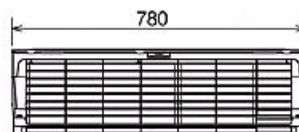
MSZ-GA25VA Indoor Unit	
Capacity (kW):	
Heating (Nominal) (Low - High)	3.20 (0.90 - 4.50)
Cooling (Nominal) (Low - High)	2.50 (0.90 - 3.00)
Heating (UK) (Low - High)	2.65 (0.75 - 3.75)
Cooling (UK) (Low - High)	2.50 (0.90 - 3.00)
SHF R410A (Nominal)	0.79
COP / EER (Nominal)	4.21 / 3.91
Energy Label Heating / Cooling	A / A
Width - mm	780
Depth - mm	210
Height - mm	298
Weight - kg	9
Airflow (m3/min) (Heating /Cooling) - Lo-Mi-Hi-SupHi	4.3-6.4-8.4-10.5 / 3.9-6.1-8-10
Noise (dBA) (Heating/Cooling) - Lo-Mi-Hi-SupHi	21-29-36-43 / 21-29-36-43
Pipe Size Gas mm (in)	9.52 (3/8)
Pipe Size Liquid mm (in)	6.35 (1/4)
Electrical Supply	Fed by Outdoor Unit
Phase	Single
Fuse Rating (BS88) - HRC (A)	6
Interconnecting Cable No. Cores	4

MUZ-GA25VA Outdoor Unit	
Width - mm	800
Depth - mm	285
Height - mm	550
Weight - kg	31
Noise (dBA) (Heating /Cooling)	46 / 46
Electrical Supply	220-240v, 50Hz
Phase	Single
Fuse Rating (BS88) - HRC (A)	10
SystemPower Input (kW) - Heating (Nominal)	0.76
SystemPower Input (kW) - Cooling (Nominal)	0.64
SystemPower Input (kW) - Heating (UK)	0.69
SystemPower Input (kW) - Cooling (UK)	0.51
Starting Current (A)	3.6
SystemRunning Current (A) - Heating / Cooling	3.6 / 3.2
Mains Cable No. Cores	3
Max Pipe Length (m)	20
Max Height Difference (m)	12
Charge (kg) - 7m	0.85

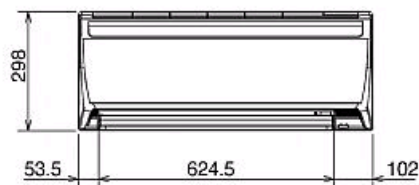
## Dimensions

### MSZ-GA25VA

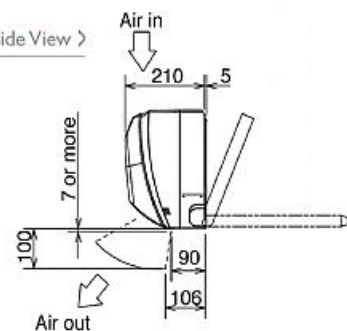
Upper View >



Front View >

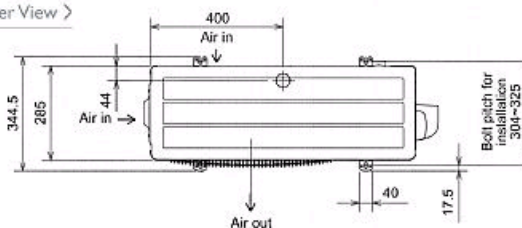


Side View >

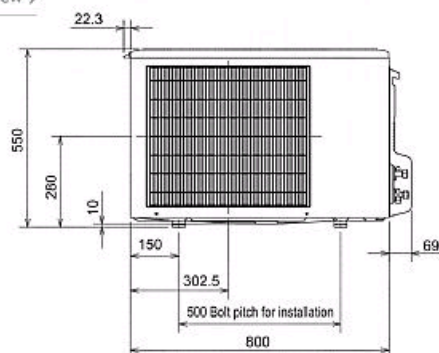


### MUZ-GA25VA

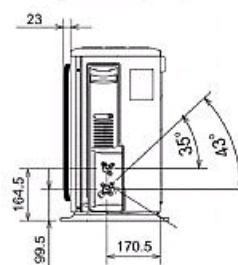
Upper View >



Front View >



Side View >



Telephone: 01707 282880

Email: [air.conditioning@meuk.mee.com](mailto:air.conditioning@meuk.mee.com) Website: <http://www.mitsubishielectric.co.uk/aircon>

Tel:  
Fax:



Mitsubishi Electric reserves the right to make any variation in technical specification to the equipment described, or to withdraw or replace products without prior notification or public announcement.