



MSZ-GA71VA

Inverter Heat Pump

R410A Wall Mounted System

This model has been completely redesigned and features the new Catechin filter system. It offers industry leading noise levels and also includes a wide swing & long airflow mode.

- **Anti-Allergy Enzyme filter is optional**



Pictures not to scale

Product Details

MSZ-GA71VA Indoor Unit

Capacity (kW):	
Heating (Nominal) (Low - High)	8.10 (0.90 - 9.60)
Cooling (Nominal) (Low - High)	7.10 (0.90 - 8.30)
Heating (UK) (Low - High)	6.75 (0.75 - 8.00)
Cooling (UK) (Low - High)	7.05 (0.90 - 8.25)
SHF R410A (Nominal)	0.71
COP / EER (Nominal)	3.31 / 2.93
Energy Label Heating / Cooling	C / C
Width - mm	1100
Depth - mm	258
Height - mm	325
Weight - kg	16
Airflow (m3/min) (Heating /Cooling) - Lo-Mi-Hi	9.4-13.6-17.2 / 9.4-13.3-17.2
Noise (dBA) (Heating/Cooling) - Lo-Mi-Hi	33-40-54 / 33-40-54
Pipe Size Gas mm (in)	15.88 (5/8)
Pipe Size Liquid mm (in)	9.52 (3/8)
Electrical Supply	Fed by Outdoor Unit
Phase	Single
Fuse Rating (BS88) - HRC (A)	6
Interconnecting Cable No. Cores	4

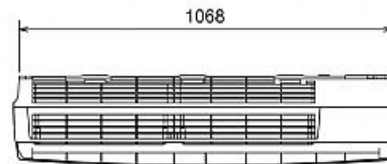
MUZ-GA71VA Outdoor Unit

Width - mm	840
Depth - mm	330
Height - mm	850
Weight - kg	58
Noise (dBA) (Heating/Cooling) - Lo-Hi	53-55 / 51-53
Electrical Supply	220-240v, 50Hz
Phase	Single
Fuse Rating (BS88) - HRC (A)	25
SystemPower Input (kW) - Heating (Nominal)	2.45
SystemPower Input (kW) - Cooling (Nominal)	2.42
SystemPower Input (kW) - Heating (UK)	2.23
SystemPower Input (kW) - Cooling (UK)	1.94
Starting Current (A)	11.2
SystemRunning Current (A) - Heating / Cooling	11.2 / 11
Mains Cable No. Cores	3
Max Pipe Length (m)	30
Max Height Difference (m)	15
Charge (kg) - 7m	2

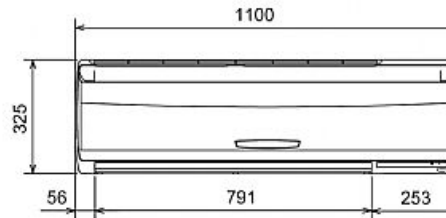
Dimensions

MSZ-GA71VA

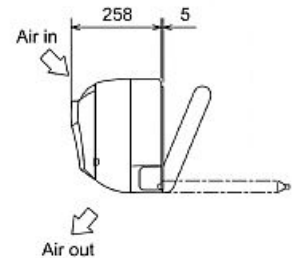
Upper View >



Front View >

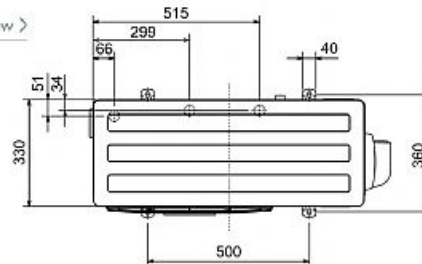


Side View >

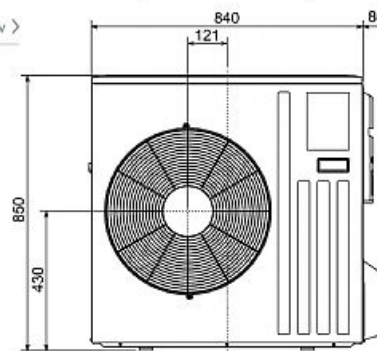


MUZ-GA71VA

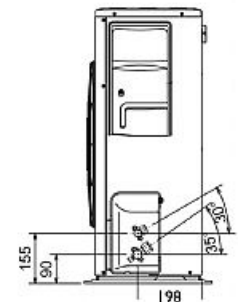
Upper View >



Front View >



Side View >



Telephone: 01707 282880

Email: air.conditioning@meuk.mee.com Website: <http://www.mitsubishielectric.co.uk/aircon>

Tel:
Fax:

Mitsubishi Electric reserves the right to make any variation in technical specification to the equipment described, or to withdraw or replace products without prior notification or public announcement.

